



US00D781094S

(12) **United States Design Patent**  
**Lee et al.**

(10) **Patent No.:** **US D781,094 S**  
(45) **Date of Patent:** **\*\* Mar. 14, 2017**

(54) **COFFEE MAKER**

D299,900 S \* 2/1989 Marotta ..... D7/309  
D340,831 S 11/1993 Manabe  
D361,689 S \* 8/1995 McCloskey ..... D7/300  
(Continued)

(71) Applicant: **Samsung Electronics Co., Ltd.**,  
Suwon-si, Gyeonggi-do (KR)

(72) Inventors: **Soo-Jung Lee**, Kimpo-Si (KR);  
**Sang-Min Hyun**, Seoul (KR)

**FOREIGN PATENT DOCUMENTS**

EM 000304720 5/2005  
EM 000668736 3/2007  
(Continued)

(73) Assignee: **SAMSUNG ELECTRONICS CO., LTD.**,  
Suwon-si, Gyeonggi-Do (KR)

(\*\*) Term: **14 Years**

**OTHER PUBLICATIONS**

(21) Appl. No.: **29/518,504**

KR300719811\_Translation.  
KR300390748\_Translation.

(22) Filed: **Feb. 24, 2015**

*Primary Examiner* — Marianne Pandozzi

(30) **Foreign Application Priority Data**

(74) *Attorney, Agent, or Firm* — Ladas & Parry LLP

Aug. 26, 2014 (KR) ..... 30-2014-0041462

(51) **LOC (10) Cl.** ..... **07-01**

(57) **CLAIM**

(52) **U.S. Cl.**  
USPC ..... **D7/309; D7/311**

We claim the ornamental design for a coffee maker, as shown and described.

(58) **Field of Classification Search**  
USPC ..... D7/300, 309-311, 306-308, 305, 355,  
D7/362, 365, 367; 222/146.6, 185.1, 135;  
99/295, 273, 304, 288, 279, 307, 283  
CPC A47J 31/46; A47J 31/407; A47J 31/50; A47J  
31/18; A47J 31/00; A47J 27/04; A47J  
31/0573; A47J 31/52; A47J 31/4403;  
A47J 31/54; A47J 45/02; A47J 45/00  
See application file for complete search history.

**DESCRIPTION**

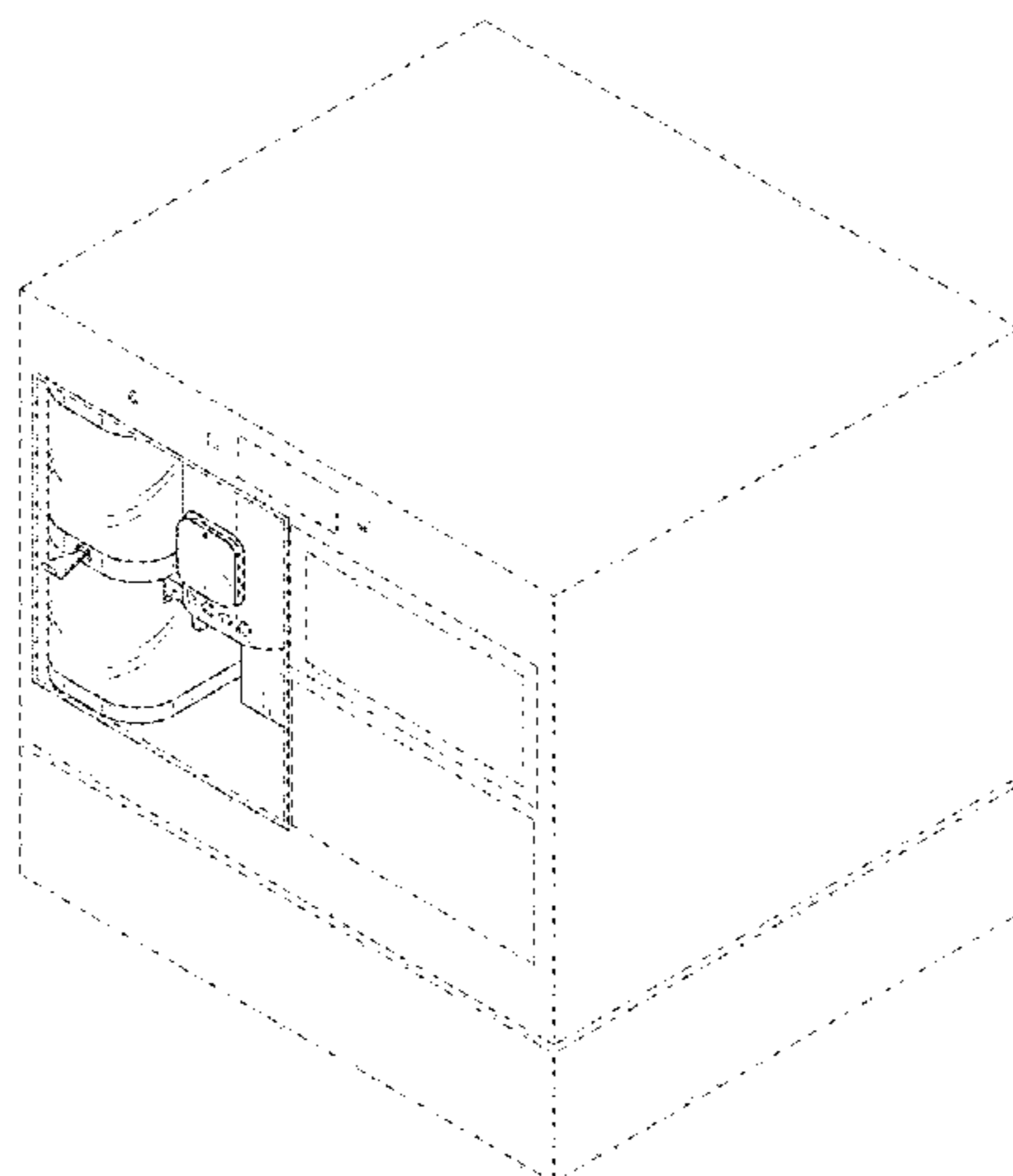
FIG. 1 is a top front perspective view of a coffee maker showing our new design;  
FIG. 2 is a front view thereof;  
FIG. 3 is a rear view thereof;  
FIG. 4 is a left-side view thereof;  
FIG. 5 is a right-side view thereof;  
FIG. 6 is a top plan view thereof;  
FIG. 7 is a bottom plan view thereof; and,  
FIG. 8 is a bottom front perspective view thereof.  
The broken lines are for environmental purposes only and form no part of the claimed design. The dot dash lines in the figures represent an unclaimed boundary line and form no part of the claimed design.

(56) **References Cited**

**U.S. PATENT DOCUMENTS**

D285,276 S \* 8/1986 Daher ..... D7/309  
4,630,532 A \* 12/1986 Sonnentag ..... A47J 31/0573  
248/201  
4,667,583 A \* 5/1987 Tarozzi ..... A47J 45/02  
248/240.4  
D290,215 S \* 6/1987 Sonnentag ..... D7/305

**1 Claim, 6 Drawing Sheets**



(56)

**References Cited**

U.S. PATENT DOCUMENTS

5,539,856 A \* 7/1996 Andrew ..... A47J 31/4403  
219/435  
D633,746 S \* 3/2011 Lam ..... D7/309  
D675,472 S \* 2/2013 Strayle ..... D7/309  
D706,567 S 6/2014 Strayle  
D726,493 S \* 4/2015 Lee ..... D7/309  
D731,842 S \* 6/2015 Brunner ..... D7/305

FOREIGN PATENT DOCUMENTS

KR 300390748 9/2005  
KR 300719811 12/2013

\* cited by examiner

FIG. 1

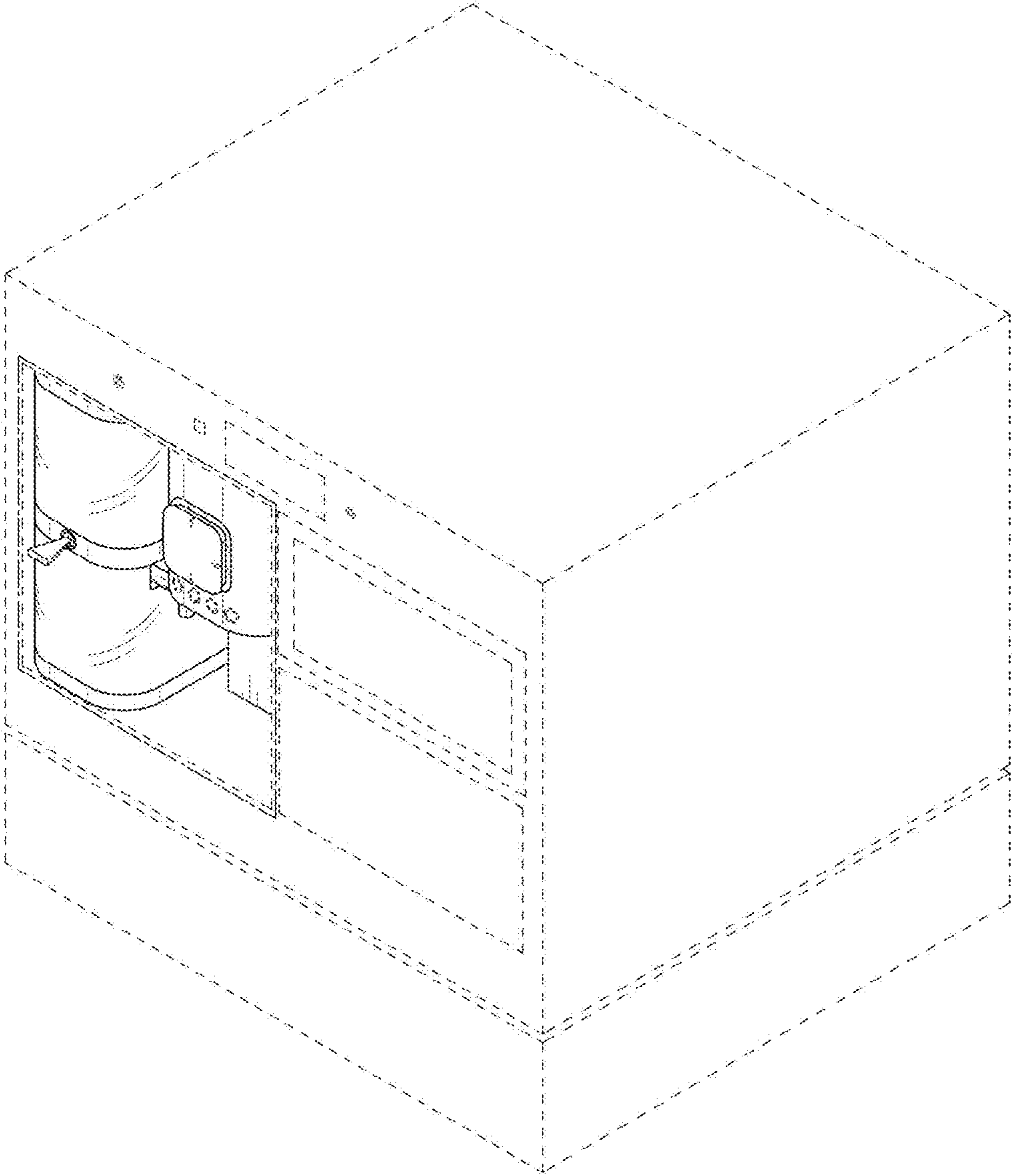


FIG. 2

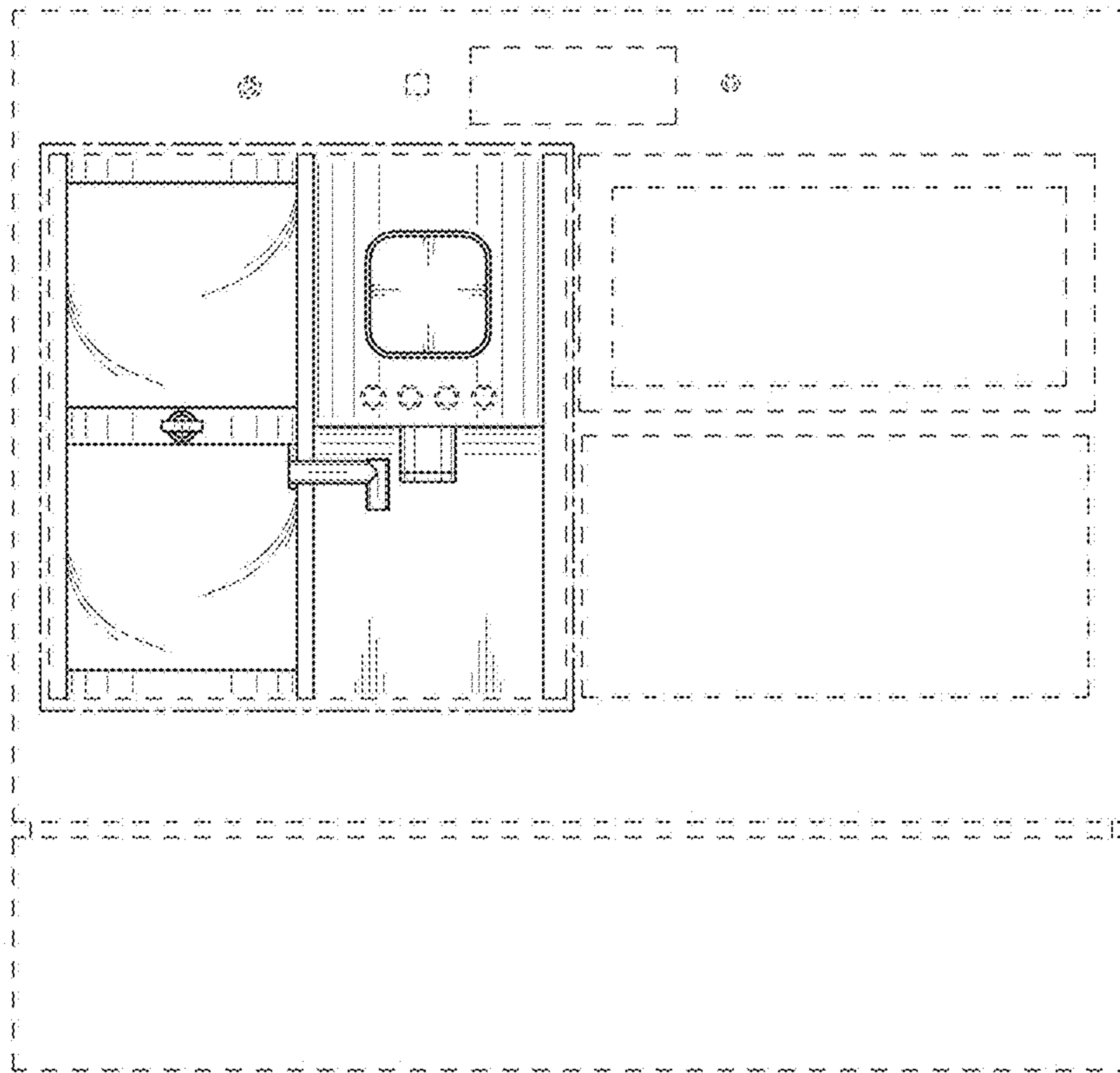


FIG. 3

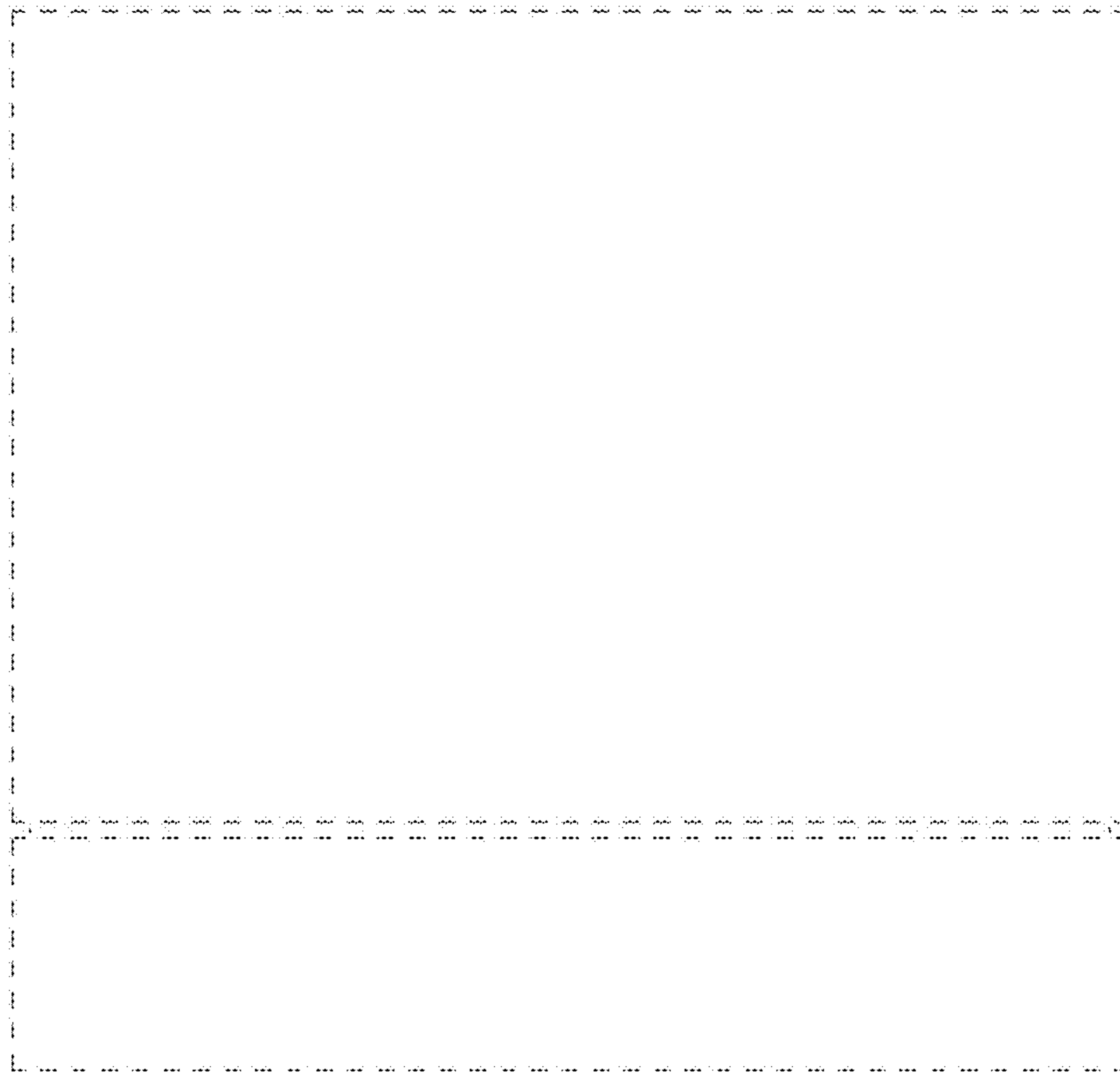


FIG. 4

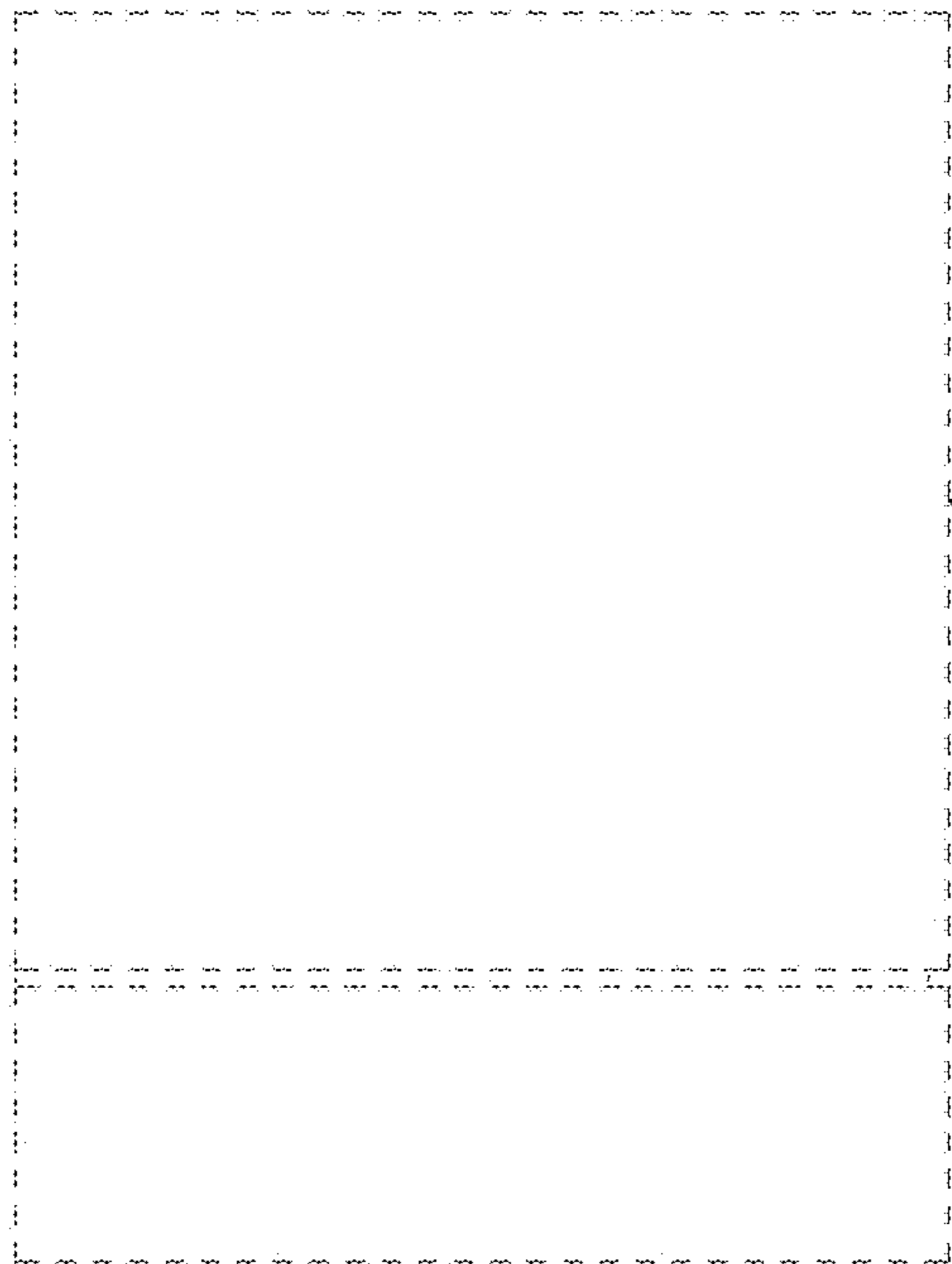


FIG. 5

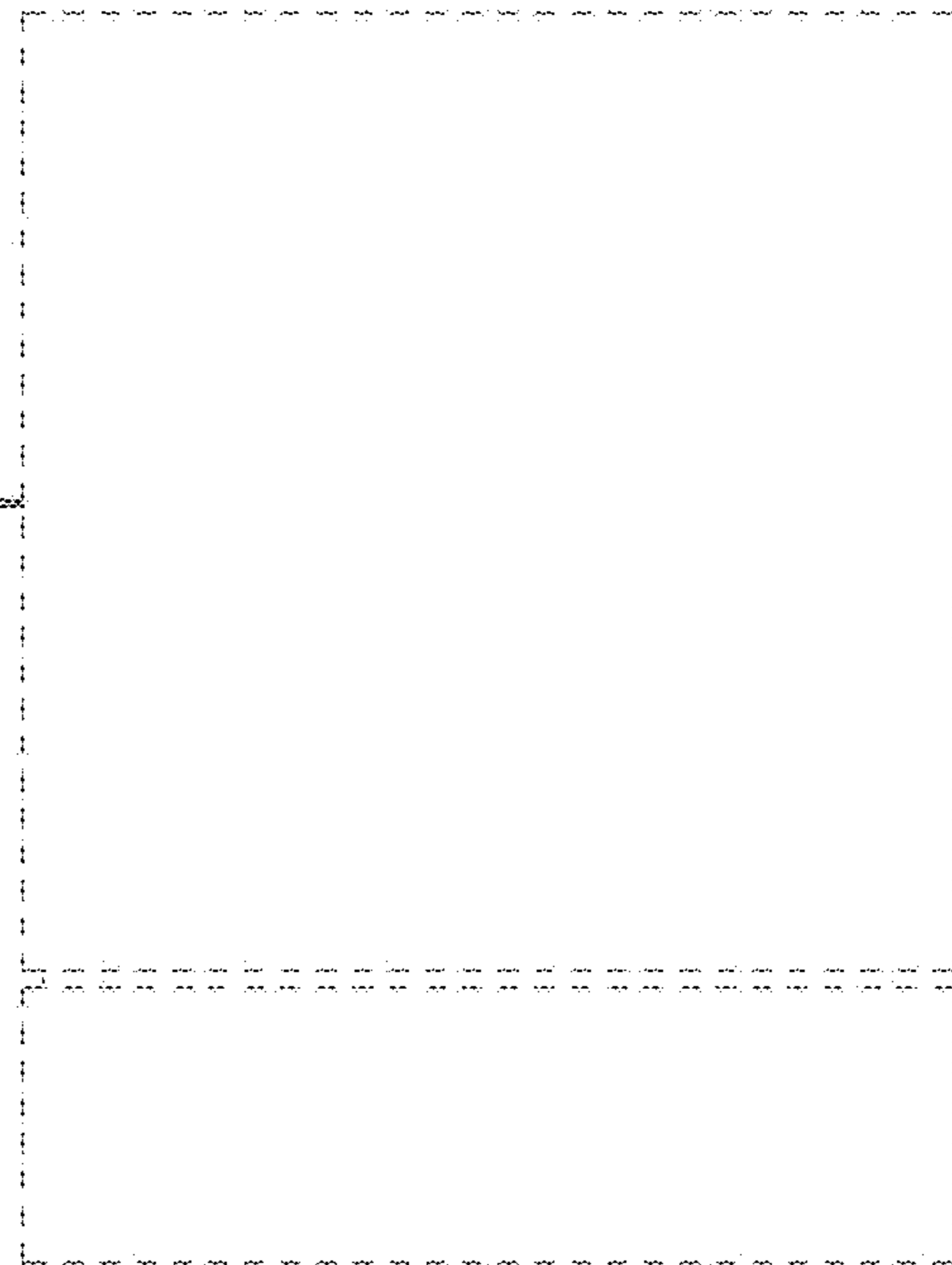


FIG. 6

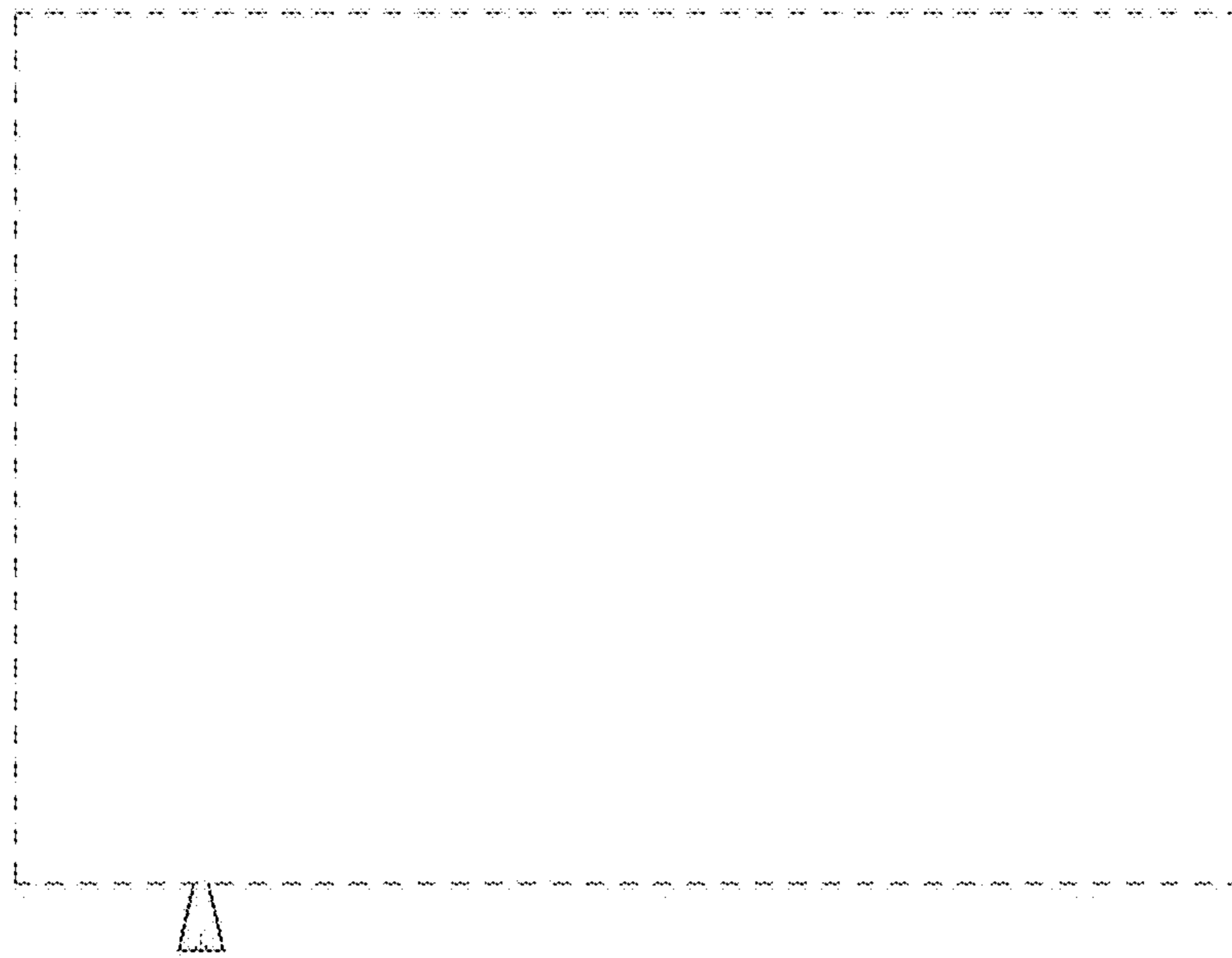


FIG. 7

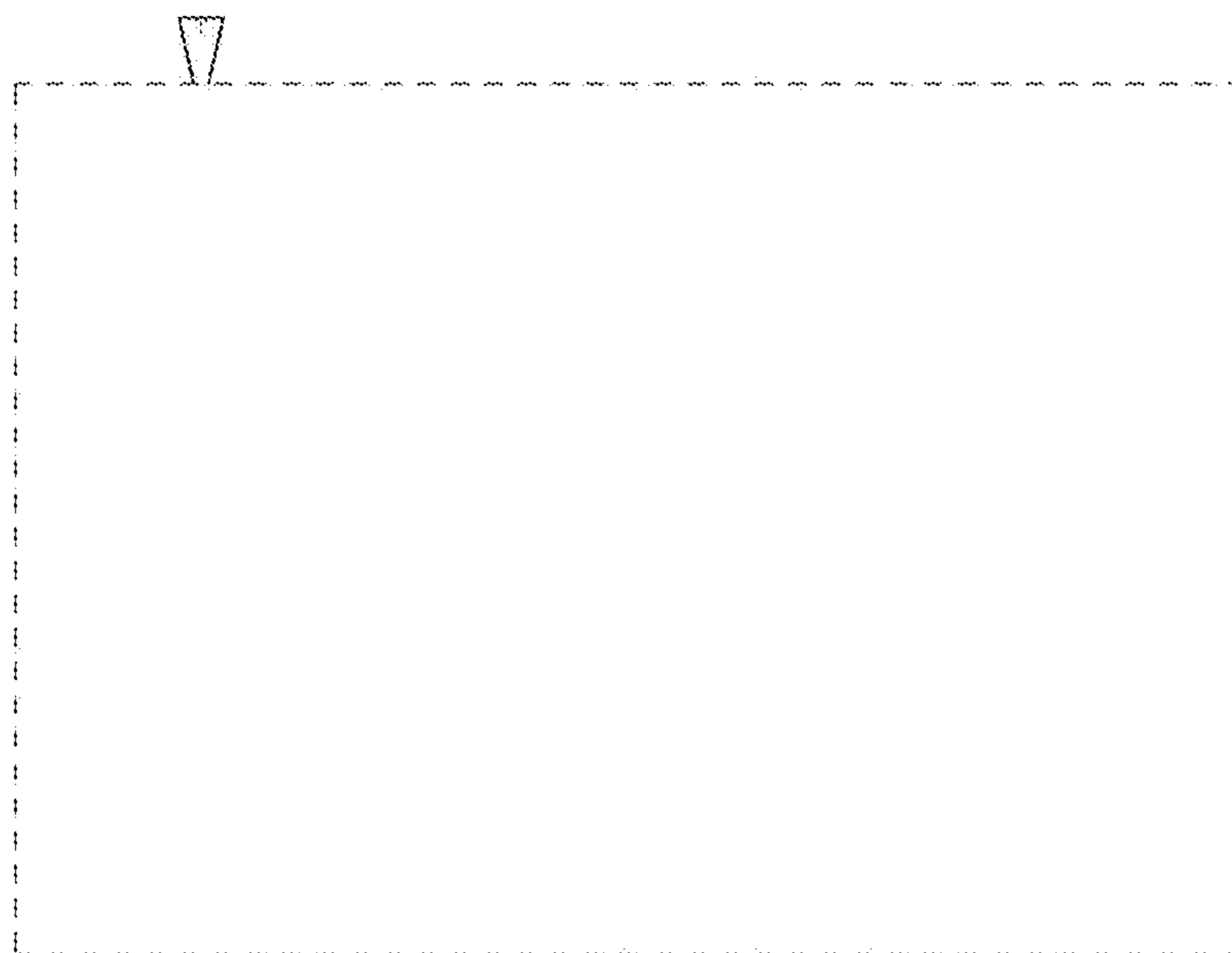


FIG. 8

