



US00D781093S

(12) **United States Design Patent**  
**Parnell**

(10) **Patent No.:** **US D781,093 S**  
(45) **Date of Patent:** **\*\* Mar. 14, 2017**

- (54) **BED FRAME**
- (71) Applicant: **Philip Parnell**, Whitley Bay (GB)
- (72) Inventor: **Philip Parnell**, Whitley Bay (GB)
- (\*\*) Term: **15 Years**
- (21) Appl. No.: **29/545,339**
- (22) Filed: **Nov. 12, 2015**
- (51) **LOC (10) Cl.** ..... **06-06**
- (52) **U.S. Cl.**  
USPC ..... **D6/718**
- (58) **Field of Classification Search**  
USPC ..... D6/329, 331-335, 344, 347, 348, 354,  
D6/360-362, 371-375, 377, 379,  
D6/382-395, 406.1, 406.2, 406.3, 406.6,  
D6/667, 673, 715, 716, 716.1, 716.4,  
D6/716.5, 716.6, 716.7, 716.8, 718.1,  
D6/718.11, 718.12, 718.13, 718.14,  
D6/718.21, 718.22, 718.23, 718.2,  
D6/718.26, 718.28, 718.29, 718.3, 300,  
D6/301, 302, 312; D25/61, 62, 66, 68,  
D25/100, 119, 121, 126, 136; D9/418,  
D9/432; D21/686, 690, 784, 815  
CPC ..... A47C 19/00; A47C 19/02; A47C 19/04;  
A47C 19/20; A47C 19/22; A47C 19/005;  
A47C 19/02; A47C 19/021; A47C  
19/022; A47C 19/025; A47C 19/027;  
A47C 19/028; A47C 19/202  
See application file for complete search history.

(56) **References Cited**

**U.S. PATENT DOCUMENTS**

- D23,937 S \* 1/1895 Bark ..... D21/784
- 2,556,407 A \* 6/1951 Wilke ..... E06B 3/38  
160/92
- D245,747 S \* 9/1977 Ikeda ..... D6/606
- D278,489 S \* 4/1985 Ragland ..... D6/382

- D297,815 S \* 9/1988 MacIvergan ..... D9/432
- D308,603 S \* 6/1990 De Maat ..... D6/300
- 5,377,462 A \* 1/1995 Beals ..... E04F 21/0015  
269/904
- D404,142 S \* 1/1999 Renz ..... D25/48.7
- 6,976,339 B1 \* 12/2005 Riccio ..... E04F 21/0015  
248/354.1
- D582,280 S \* 12/2008 Liden ..... D9/445
- D662,403 S \* 6/2012 Page ..... D25/121
- 8,434,178 B2 \* 5/2013 Sobran ..... A47C 27/003  
5/680

(Continued)

**OTHER PUBLICATIONS**

Table frame (available online) Retrieved from the internet Oct. 19, 2016, retrieved from the internet URL: <http://www.jalopyjournal.com/forum/threads/building-a-new-fab-table-somewhat-budget-conscious.577892/>.\*

*Primary Examiner* — Cathron Brooks  
*Assistant Examiner* — Richard Kearney

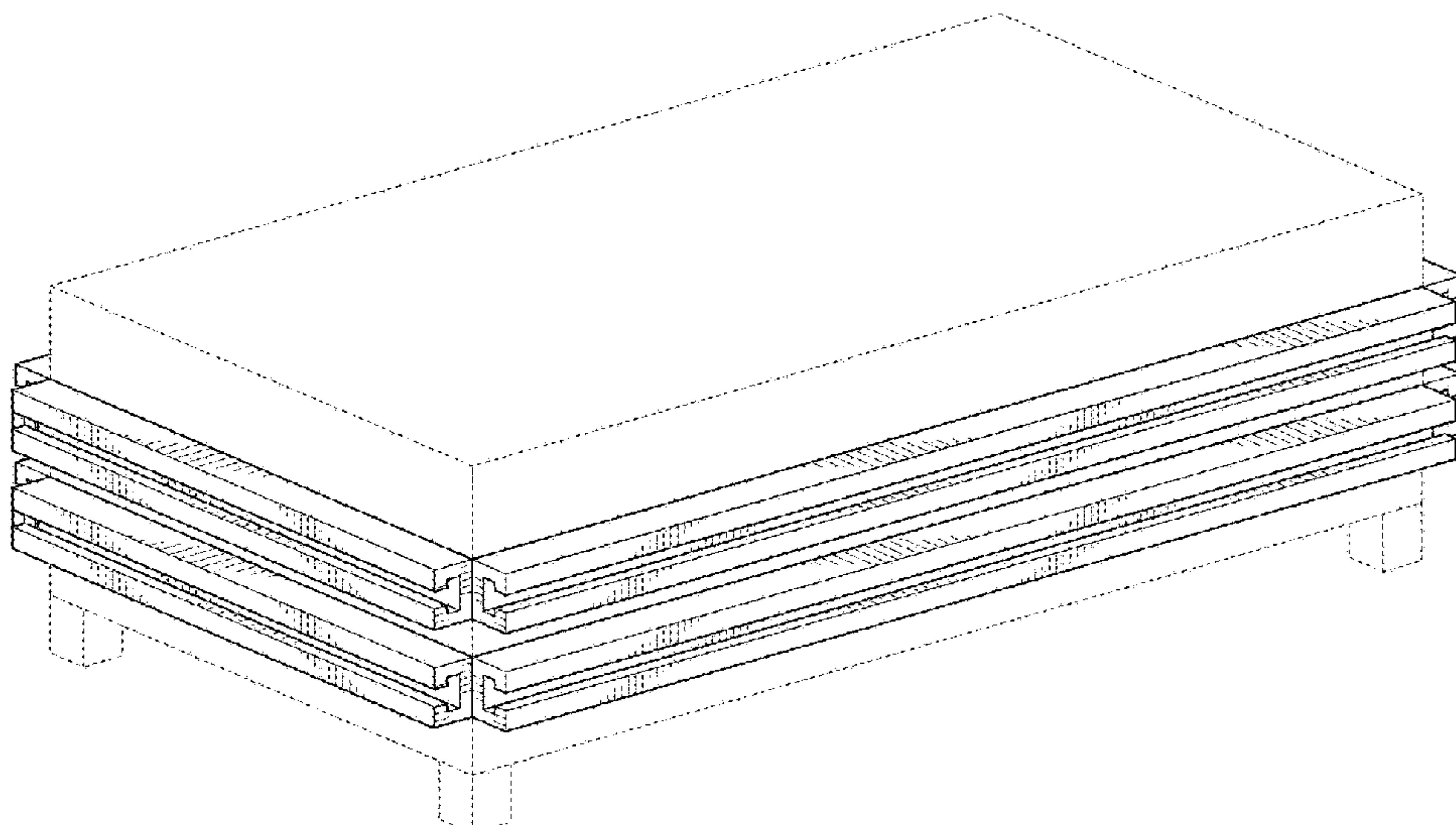
(57) **CLAIM**

The ornamental design for a bed frame, as shown and described.

**DESCRIPTION**

FIG. 1 is a top, front and right side perspective view of a bed frame showing my new design;  
FIG. 2 is a top view of a bed frame showing my new design;  
FIG. 3 is a bottom view thereof;  
FIG. 4 is a front elevation thereof;  
FIG. 5 is a rear elevation view thereof;  
FIG. 6 is a right side elevation view thereof; and,  
FIG. 7 is a left side elevation view thereof.  
The broken lines show portions of the bed frame that are the environment of the design, and that form no part of the claimed design.

**1 Claim, 6 Drawing Sheets**



(56)

**References Cited**

U.S. PATENT DOCUMENTS

D759,981 S \* 6/2016 Roper ..... D6/300  
2008/0313810 A1 \* 12/2008 Cretsinger ..... A47C 19/005  
5/503.1

\* cited by examiner

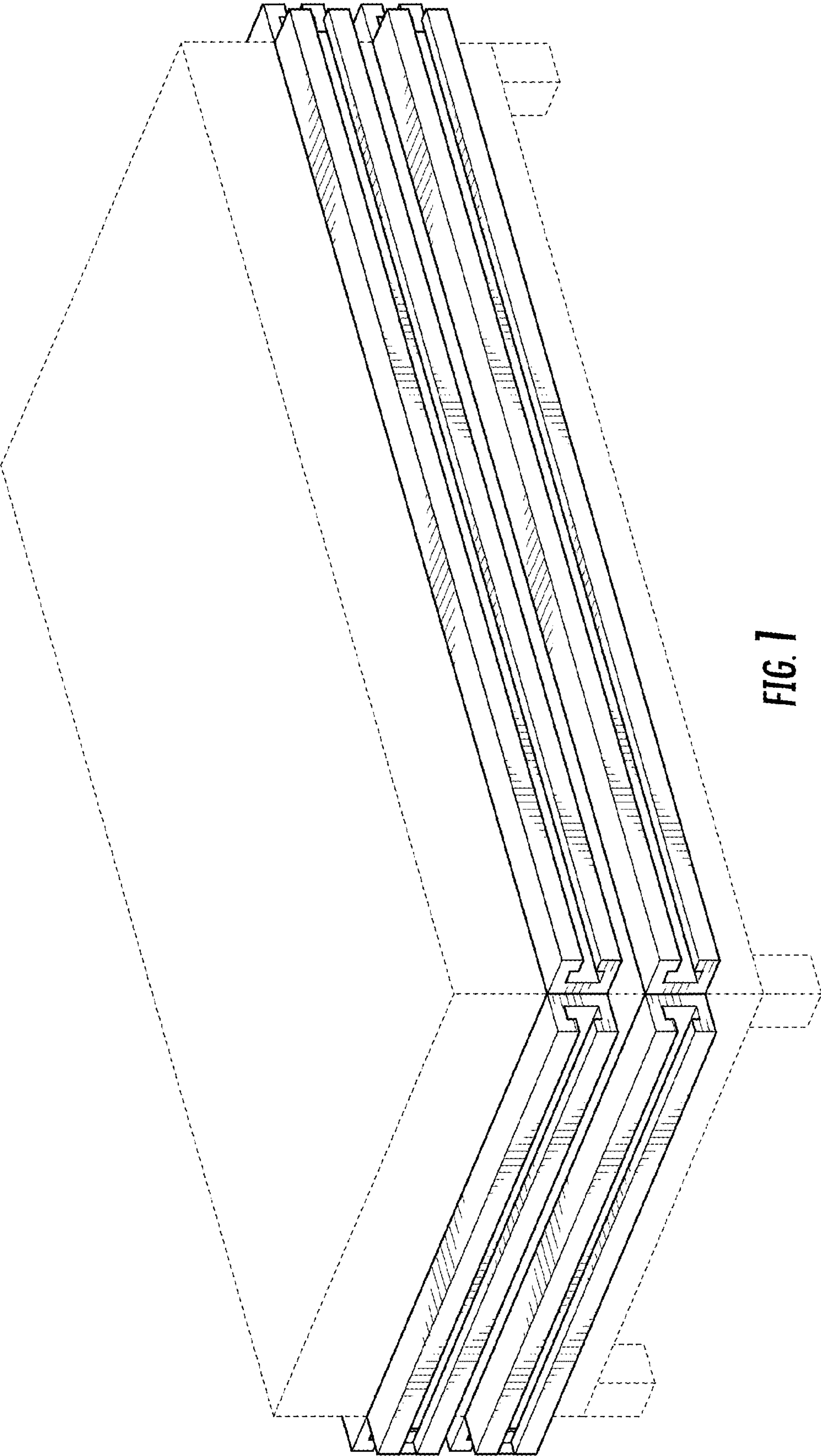


FIG. 1

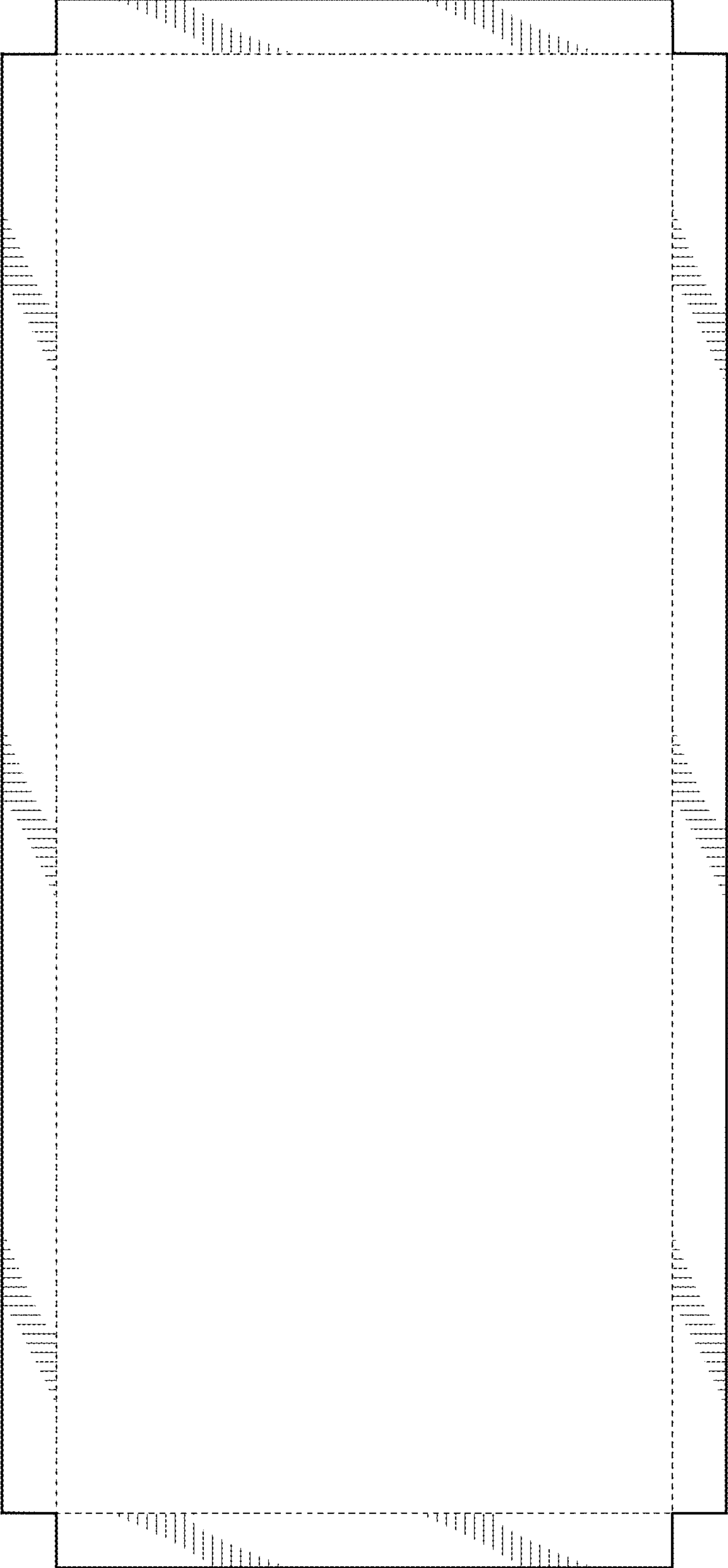


FIG. 2

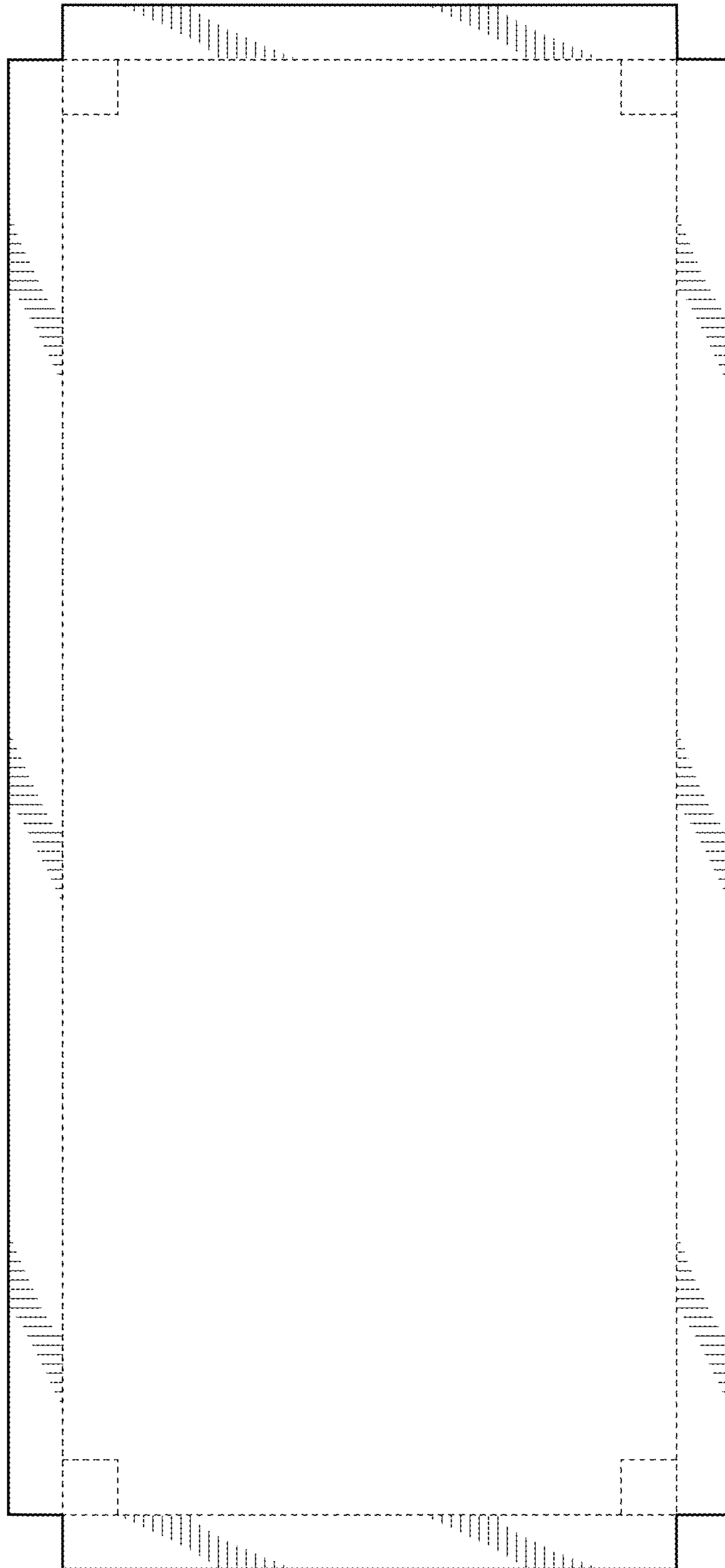


FIG. 3

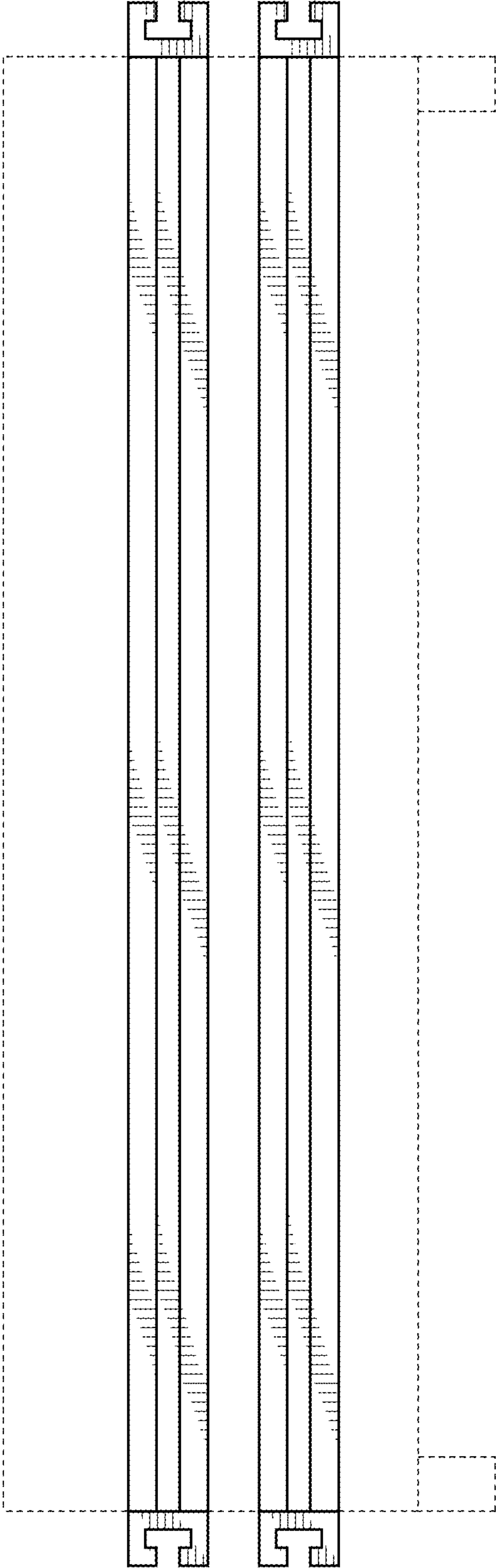


FIG. 4



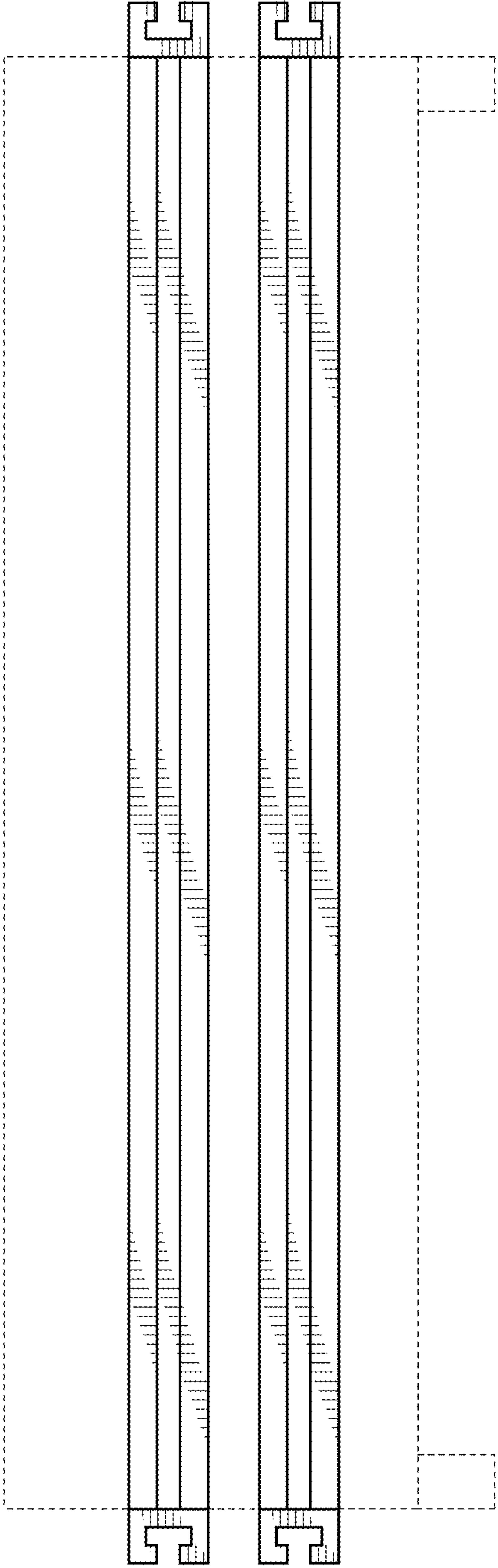


FIG. 5

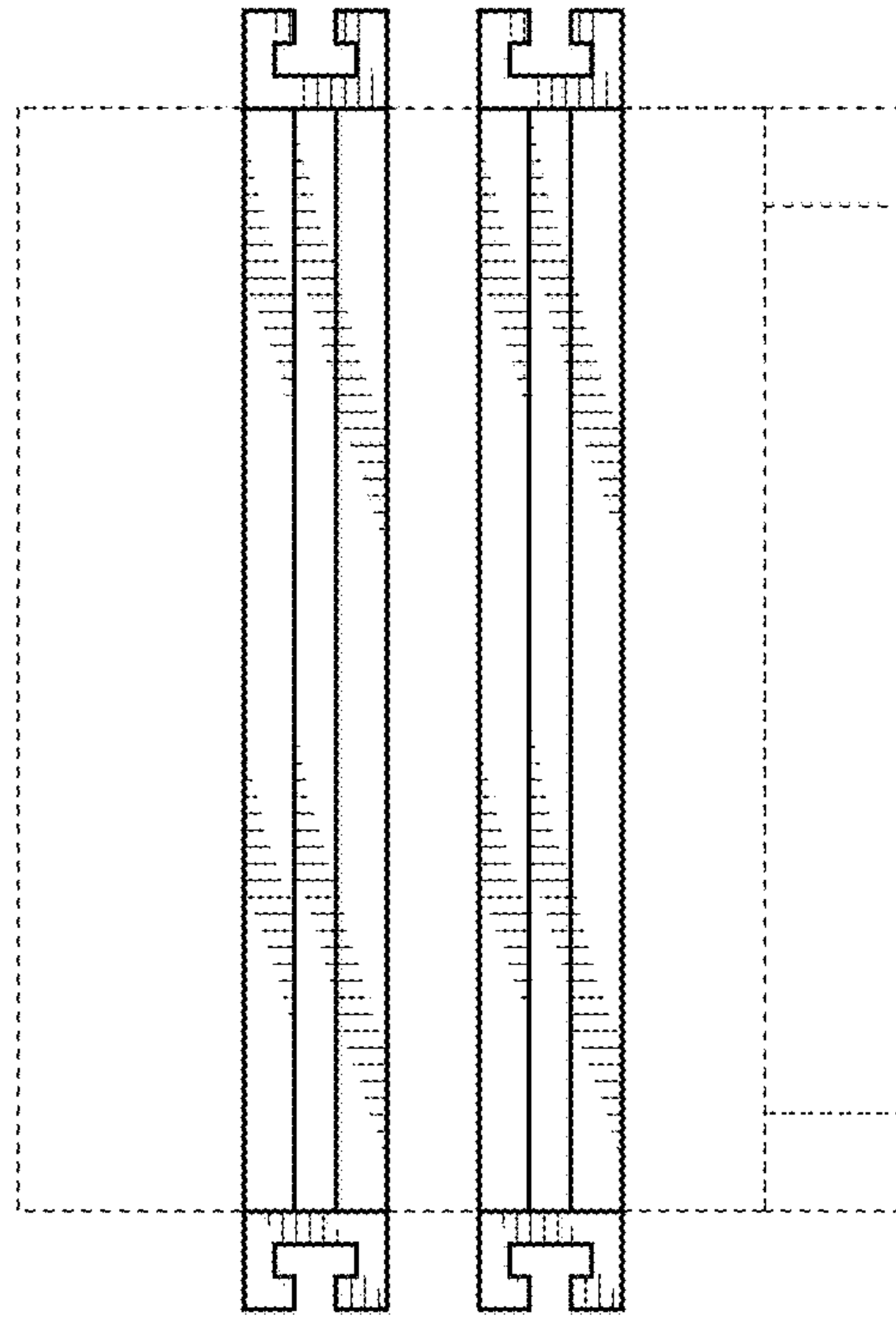


FIG. 6

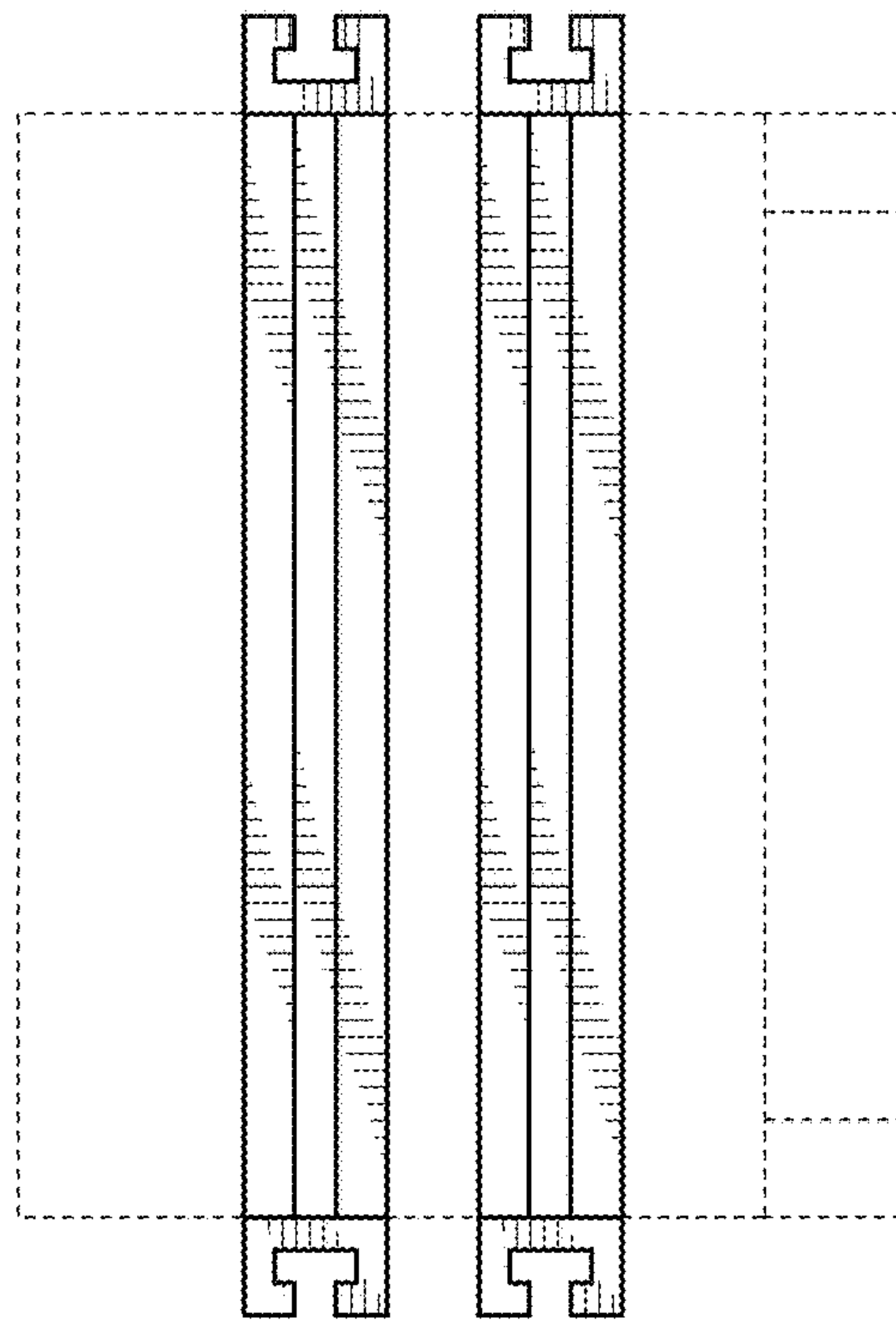


FIG. 7