



US00D781092S

(12) **United States Design Patent**
Izawa

(10) **Patent No.:** **US D781,092 S**
(45) **Date of Patent:** **** Mar. 14, 2017**

(54) **CHAIR**

(71) Applicant: **Okamura Corporation**, Yokohama-shi,
Kanagawa (JP)

(72) Inventor: **Syouichi Izawa**, Yokohama (JP)

(73) Assignee: **Okamura Corporation**, Kanagawa (JP)

(**) Term: **15 Years**

(21) Appl. No.: **29/545,088**

(22) Filed: **Nov. 10, 2015**

(30) **Foreign Application Priority Data**

May 11, 2015 (JP) 2015-010141

(51) **LOC (10) Cl.** **06-01**

(52) **U.S. Cl.**
USPC **D6/716.4**

(58) **Field of Classification Search**
USPC D6/334-336, 364, 365, 366, 374, 716,
D6/716.1, 716.2, 716.4
CPC A47C 3/40; A47C 7/004; A47C 7/022;
A47C 7/40; A47C 7/18
See application file for complete search history.

(56) **References Cited**

U.S. PATENT DOCUMENTS

D327,781 S * 7/1992 Citterio D6/366
D330,808 S * 11/1992 Citterio D6/366

D535,112 S * 1/2007 Bennett D6/366
D600,953 S * 9/2009 Kumazawa D6/716.4
D645,682 S * 9/2011 Nakamura D6/716.4
D646,513 S * 10/2011 Mezzera D6/716.4
D646,914 S * 10/2011 Gaschy D6/716
D656,752 S * 4/2012 Moll D6/366
D656,753 S * 4/2012 Moll D6/366
D751,835 S * 3/2016 Izawa D6/366

* cited by examiner

Primary Examiner — Mimoso De

(74) *Attorney, Agent, or Firm* — Sughrue Mion, PLLC

(57) **CLAIM**

The ornamental design for a chair, as shown and described.

DESCRIPTION

FIG. 1 is a perspective view from the front side of a chair.
FIG. 2 is a perspective view from the rear side thereof.
FIG. 3 is a front elevation view thereof.
FIG. 4 is a rear elevation view thereof.
FIG. 5 is a right side elevation view thereof.
FIG. 6 is a left side elevation view thereof.
FIG. 7 is a top plan view thereof; and,
FIG. 8 is a bottom plan view thereof.
The broken lines shown in the drawings illustrate portions of
the chair that form no part of the claimed design.

1 Claim, 8 Drawing Sheets

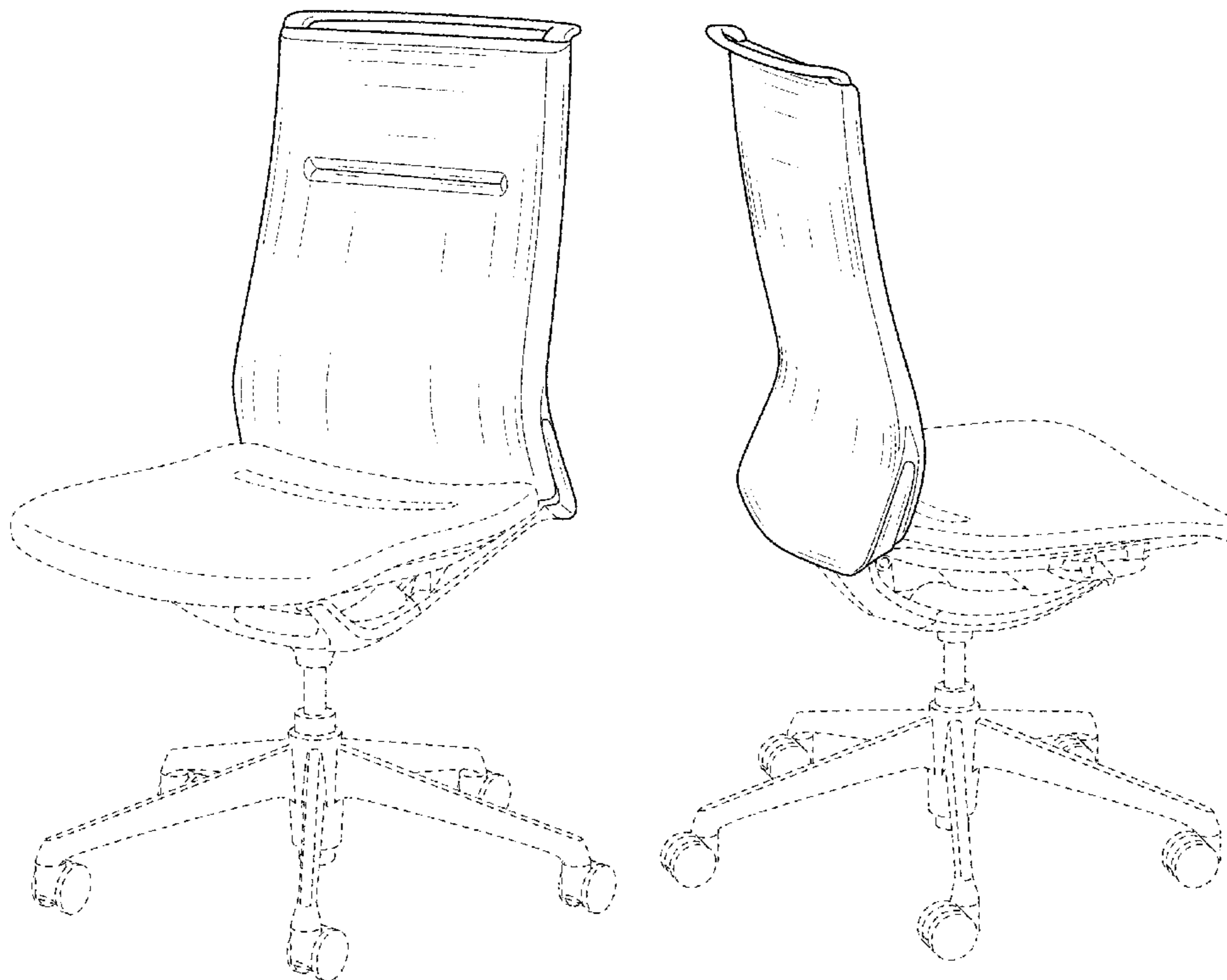


FIG. 1

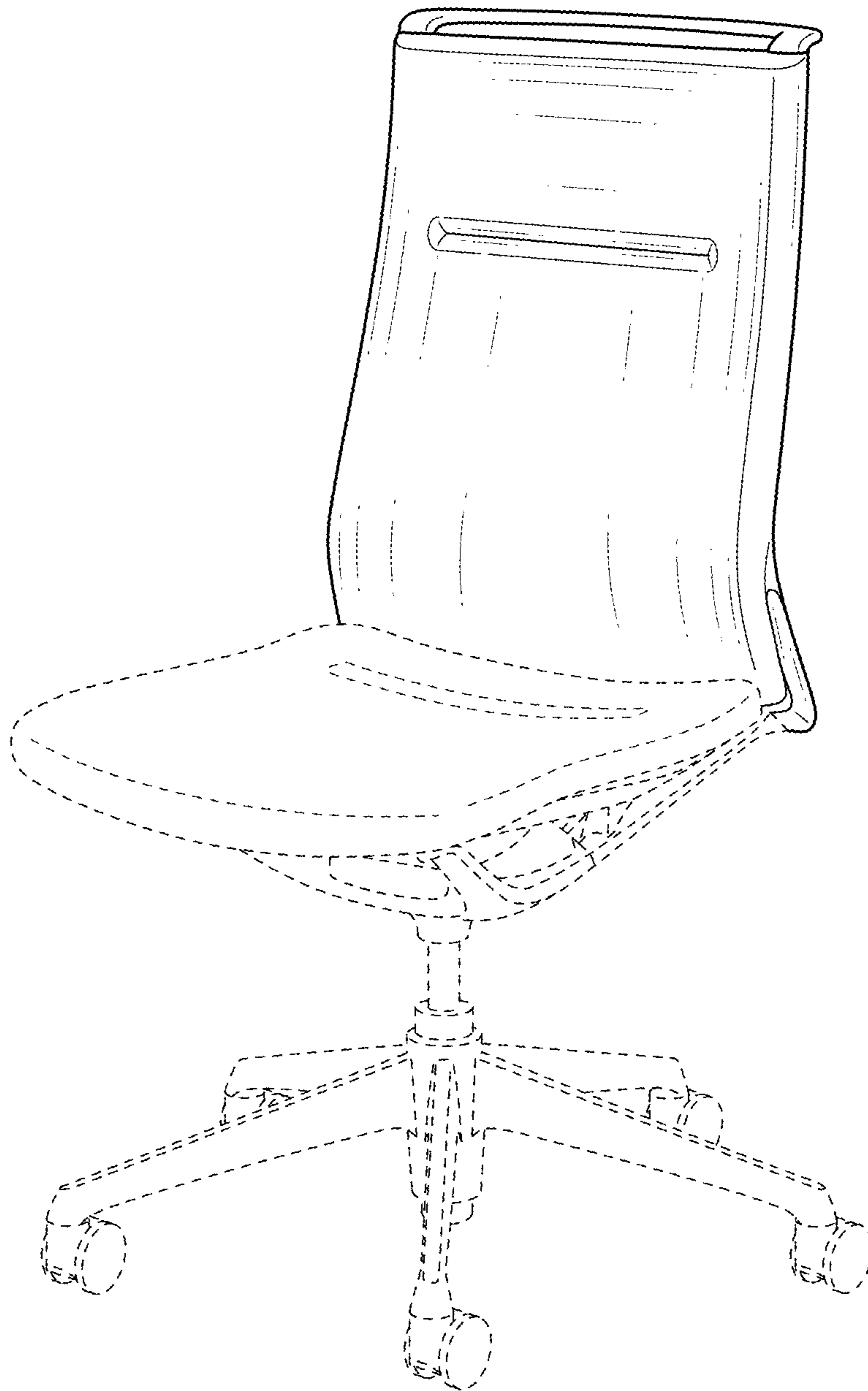


FIG. 2

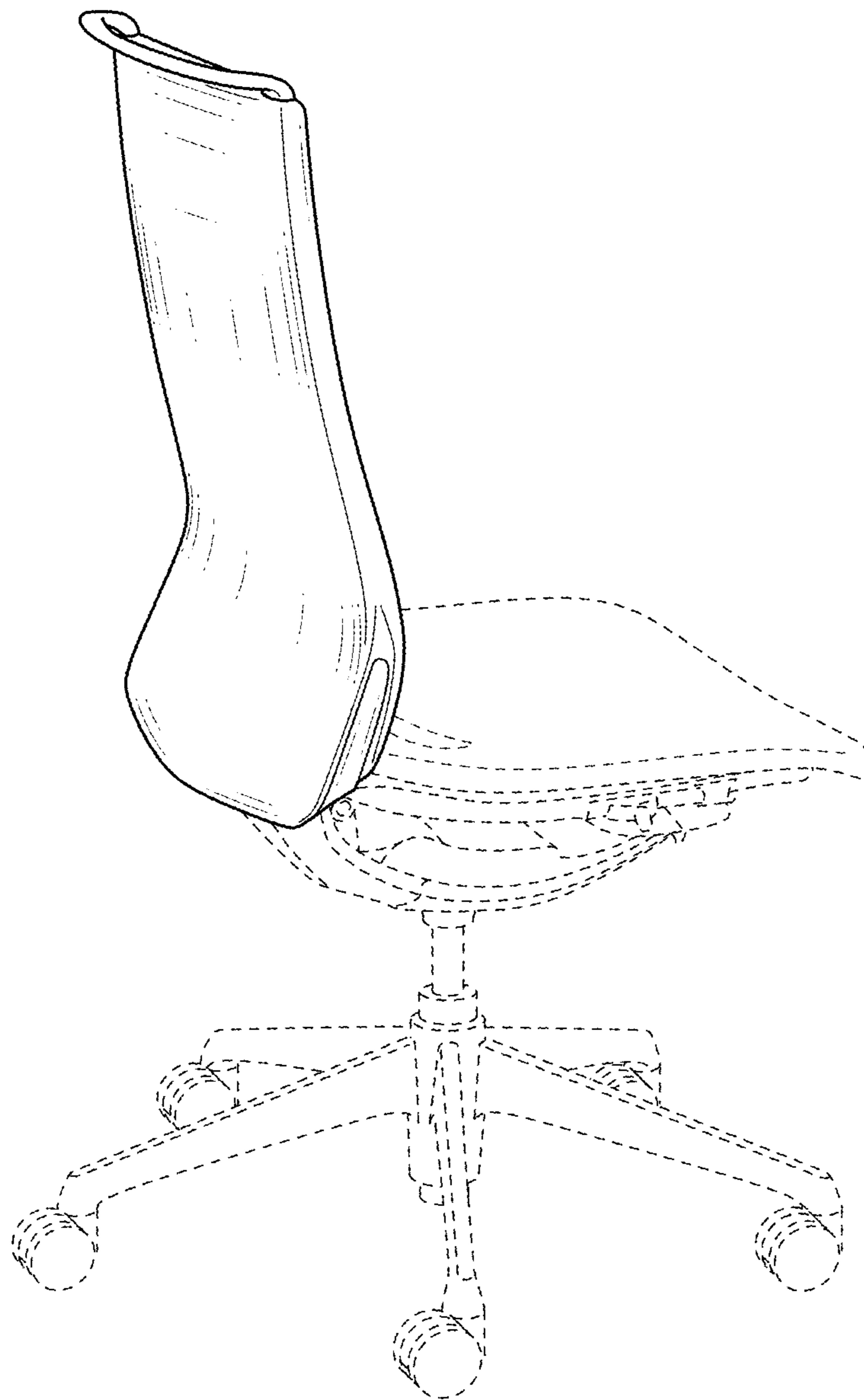


FIG. 3

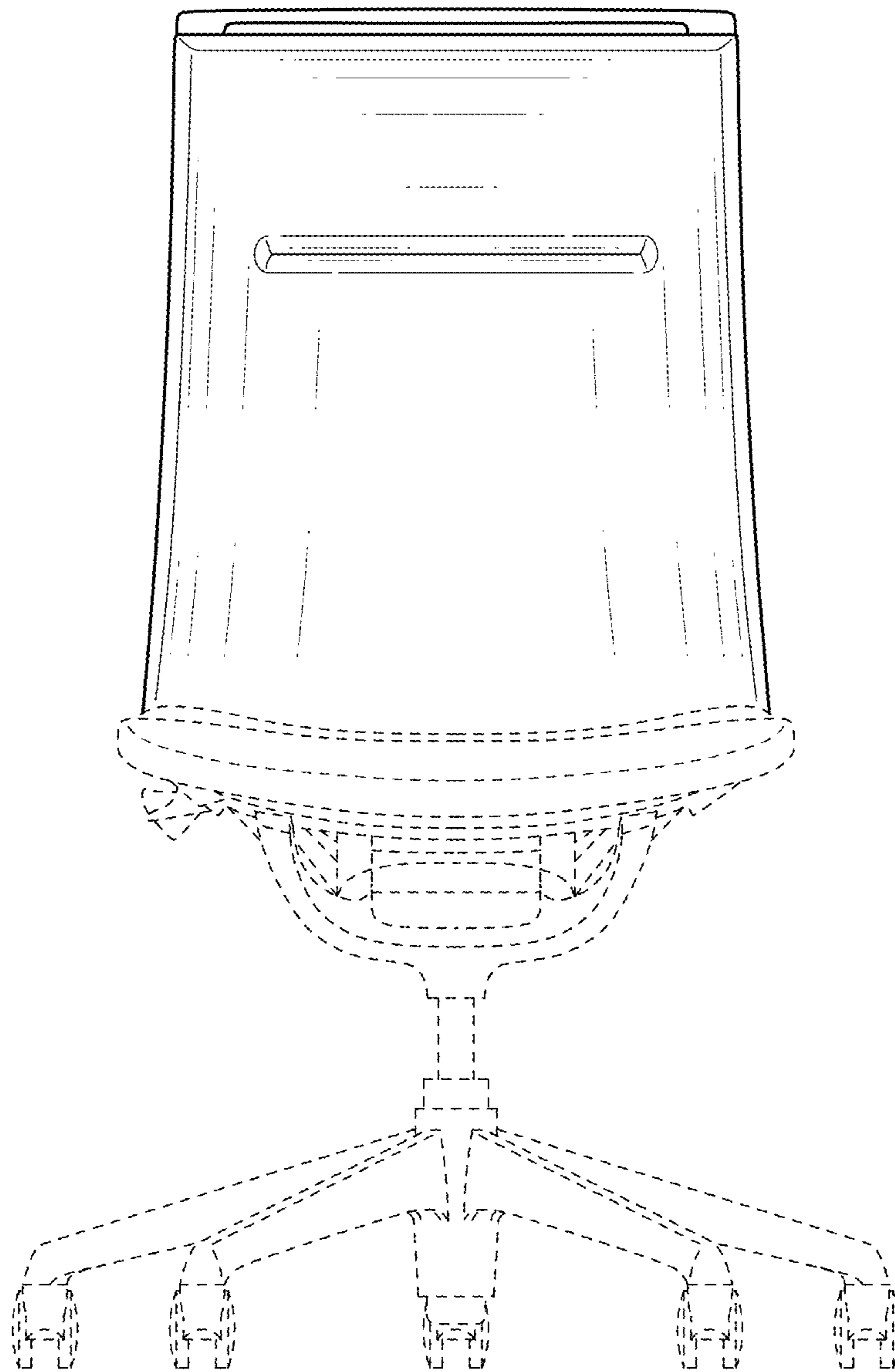


FIG. 4

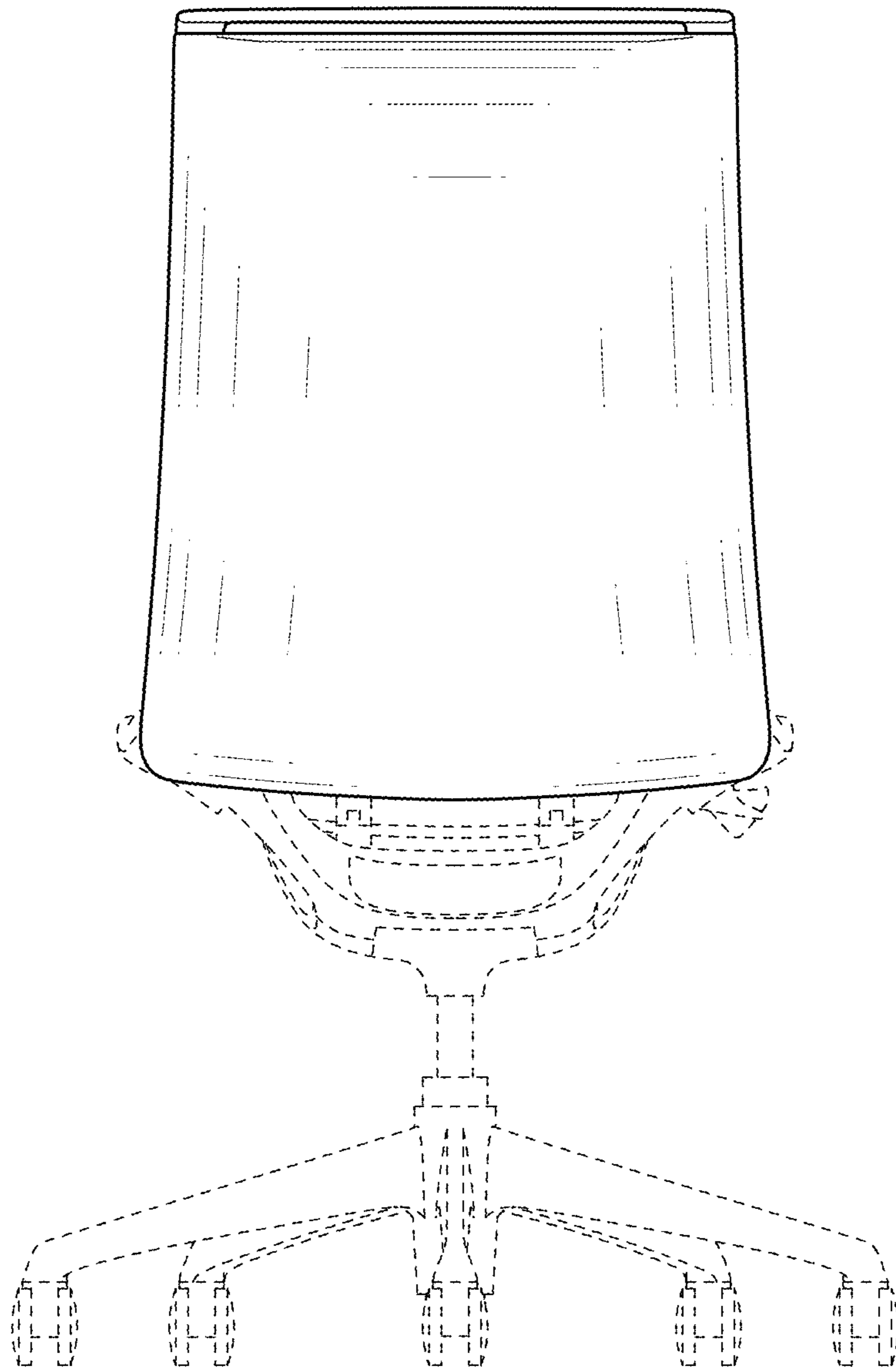


FIG. 5

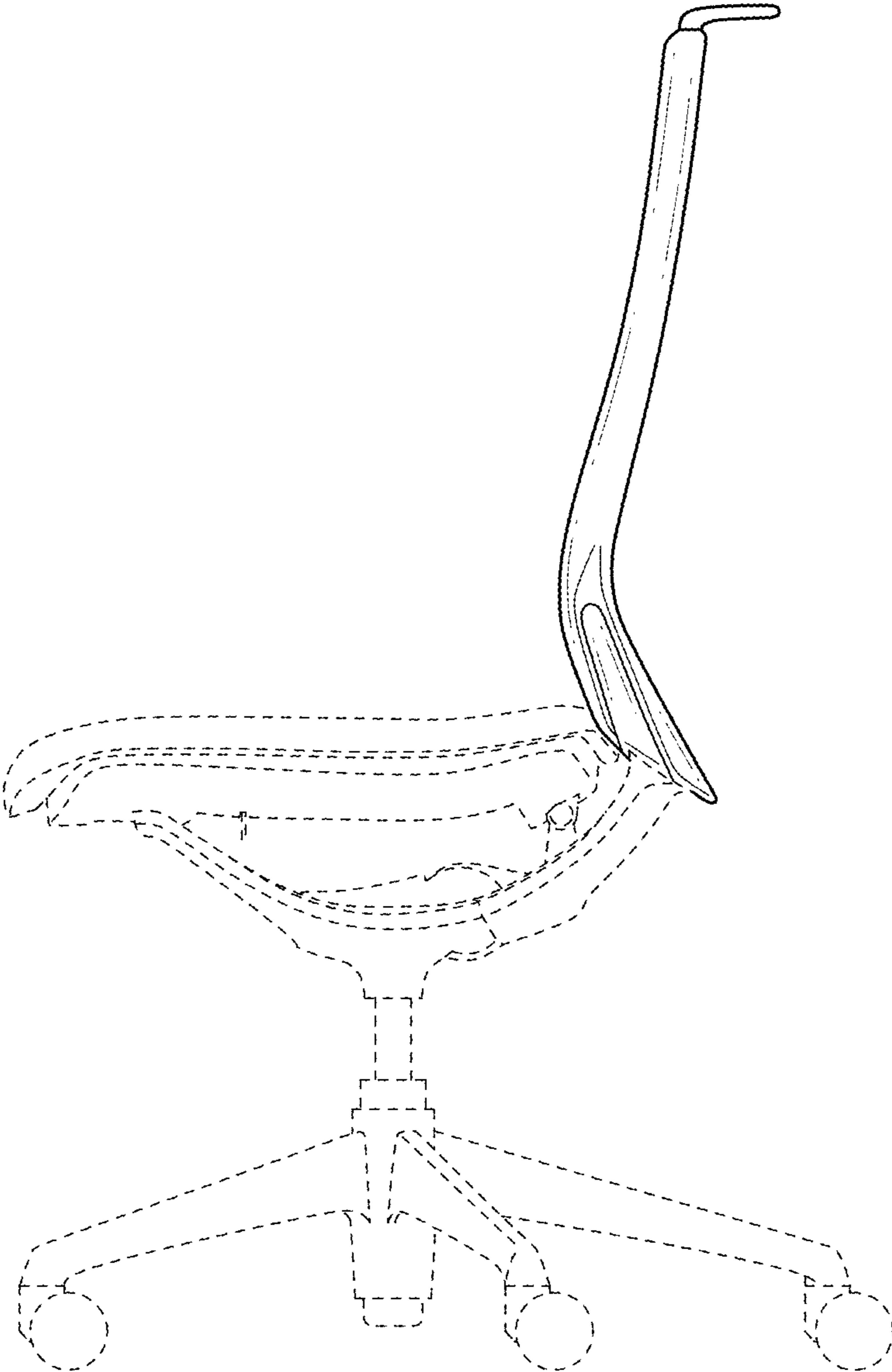


FIG. 6

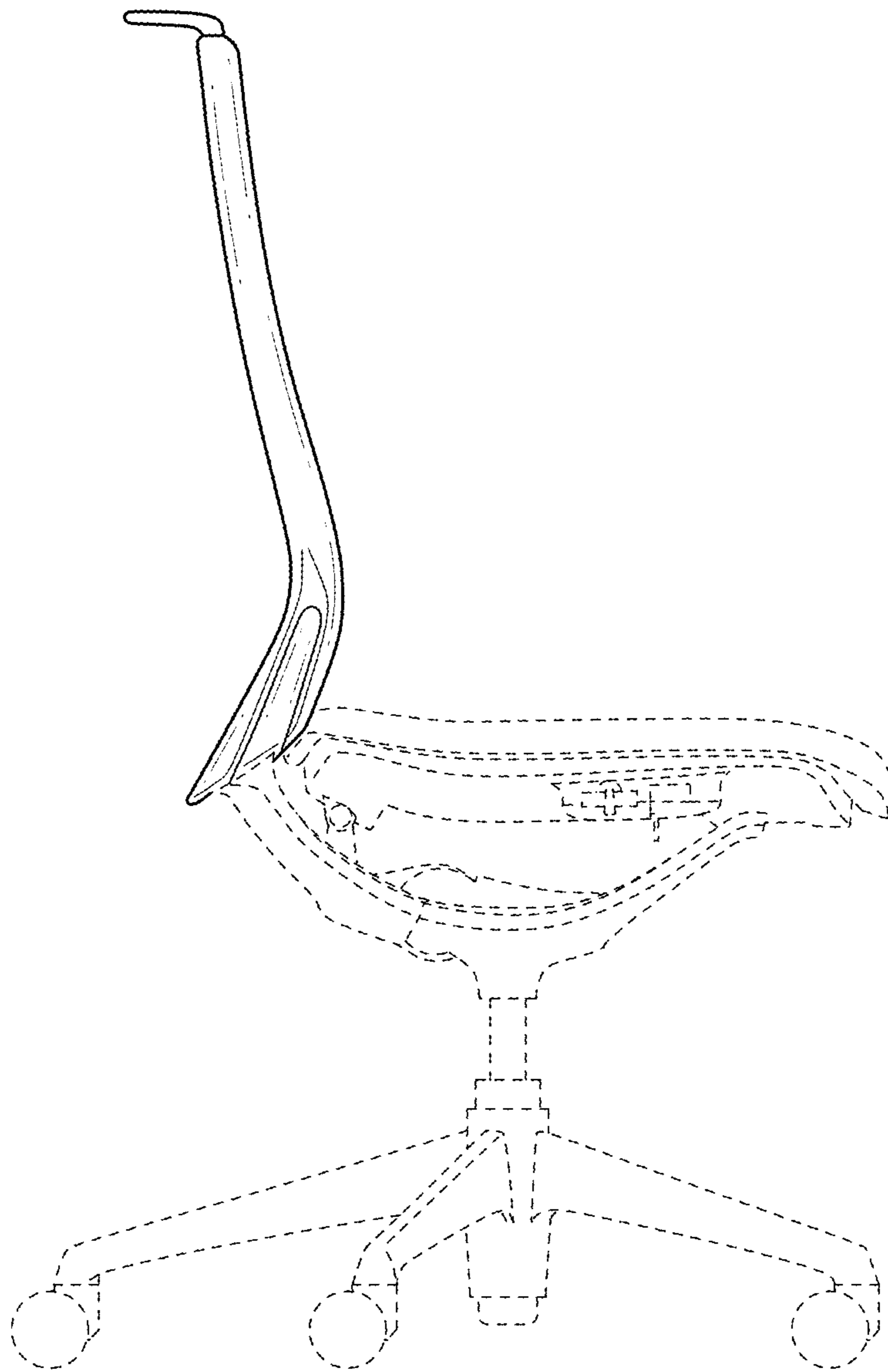


FIG. 7

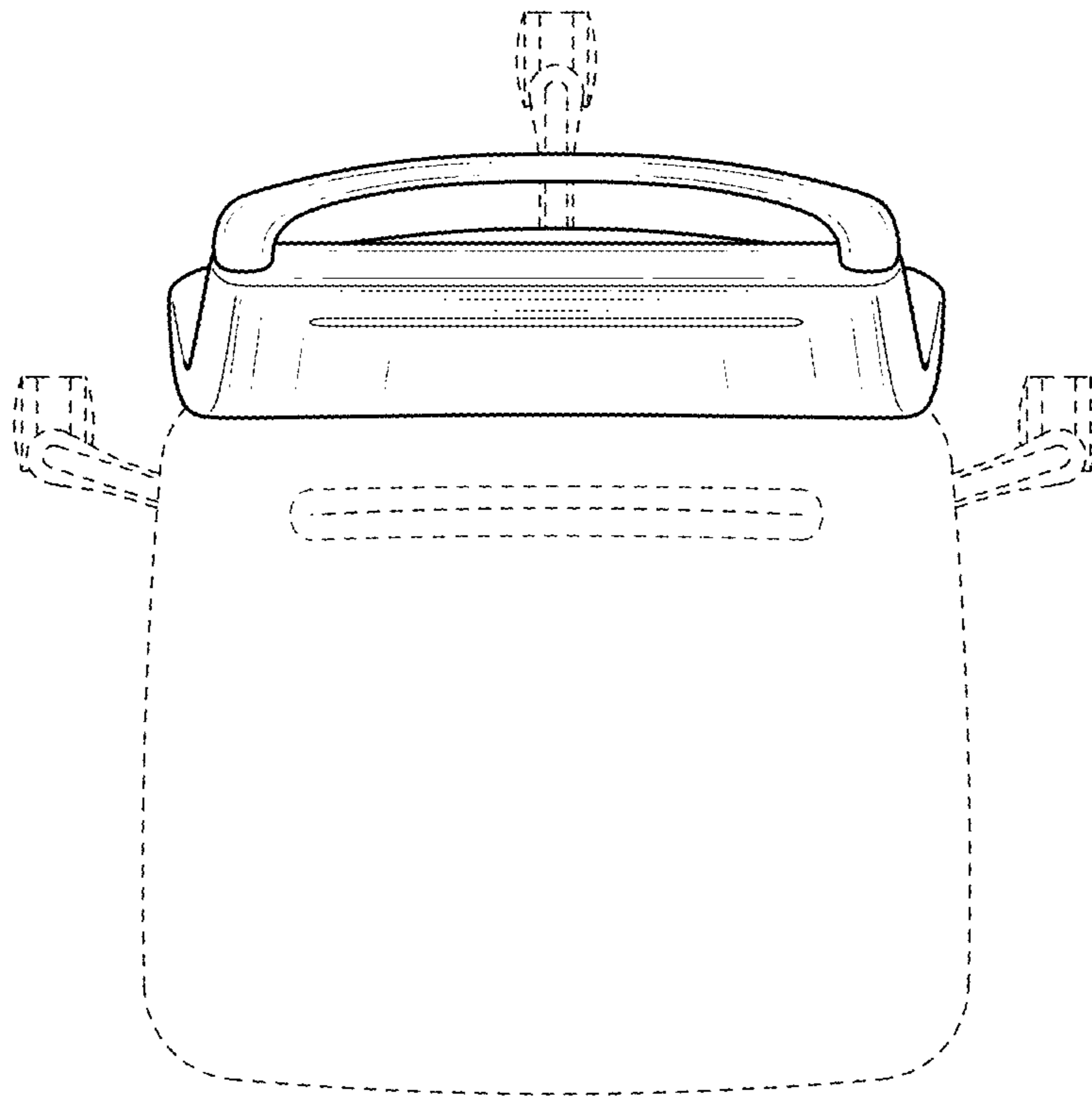


FIG. 8

