



US00D781088S

(12) **United States Design Patent**
Knoll et al.

(10) **Patent No.:** **US D781,088 S**

(45) **Date of Patent:** **** Mar. 14, 2017**

- (54) **RETAIL COUNTER**
- (71) Applicant: **Target Brands, Inc.**, Minneapolis, MN (US)
- (72) Inventors: **Mitchell Knoll**, Eagan, MN (US);
Timothy J. Martell, Brooklyn Park, MN (US)
- (73) Assignee: **Target Brands, Inc.**, Minneapolis, MN (US)

- 2,741,523 A * 4/1956 George A47F 9/04
312/140.1
- 3,494,686 A * 2/1970 Diack A47F 3/005
312/140
- D236,925 S * 9/1975 Clark et al. D6/650
- D258,783 S * 4/1981 Frederick D6/698
- D312,927 S * 12/1990 Martin D6/642
- 5,083,844 A * 1/1992 Gruenberg A47B 47/03
312/140
- D366,373 S * 1/1996 Reese D6/650
- D369,031 S * 4/1996 Lechleiter D6/664
- D377,272 S * 1/1997 Dewitt D6/698

(Continued)

(**) Term: **14 Years**

(21) Appl. No.: **29/506,372**

(22) Filed: **Oct. 15, 2014**

(51) **LOC (10) Cl.** **06-03**

(52) **U.S. Cl.**
USPC **D6/699**

(58) **Field of Classification Search**
USPC D6/641, 648, 648.3, 650, 653.1, 661.3,
D6/668, 672, 698, 699, 664; 312/111,
312/114, 117, 140.1, 208.1, 208.2;
186/59

CPC A47B 87/02; A47B 21/0314; A47B 21/00;
A47B 1/00; A47B 1/056; A47F 3/005;
A47F 3/00; A47F 9/00; A47F 9/04

See application file for complete search history.

(56) **References Cited**

U.S. PATENT DOCUMENTS

- D85,769 S * 12/1931 Rorrer et al. D6/699
- D104,130 S * 4/1937 Behrel et al. D6/699
- D104,131 S * 4/1937 Behrel et al. D6/699
- D104,132 S * 4/1937 Behrel et al. D6/699
- D118,456 S * 1/1940 Silverman et al. D6/699
- D120,018 S * 4/1940 Remler et al. D6/699
- D133,109 S * 7/1942 Smith et al. D6/673
- D137,662 S * 4/1944 Stark et al. D6/699
- D149,512 S * 5/1948 Moseley et al. D6/699

OTHER PUBLICATIONS

Office Action from Canadian Patent Application No. 160,160, mailed May 29, 2015 (1 page).

Primary Examiner — John Windmuller

Assistant Examiner — Steven Czyz

(74) *Attorney, Agent, or Firm* — Leanne Taveggia Farrell; Westman, Champlin & Koehler, P.A.

(57) **CLAIM**

The ornamental design for a retail counter, as shown and described.

DESCRIPTION

FIG. 1 is a first perspective view of a retail counter showing our new design;

FIG. 2 is a second perspective view thereof;

FIG. 3 is a top view thereof;

FIG. 4 is a front view thereof;

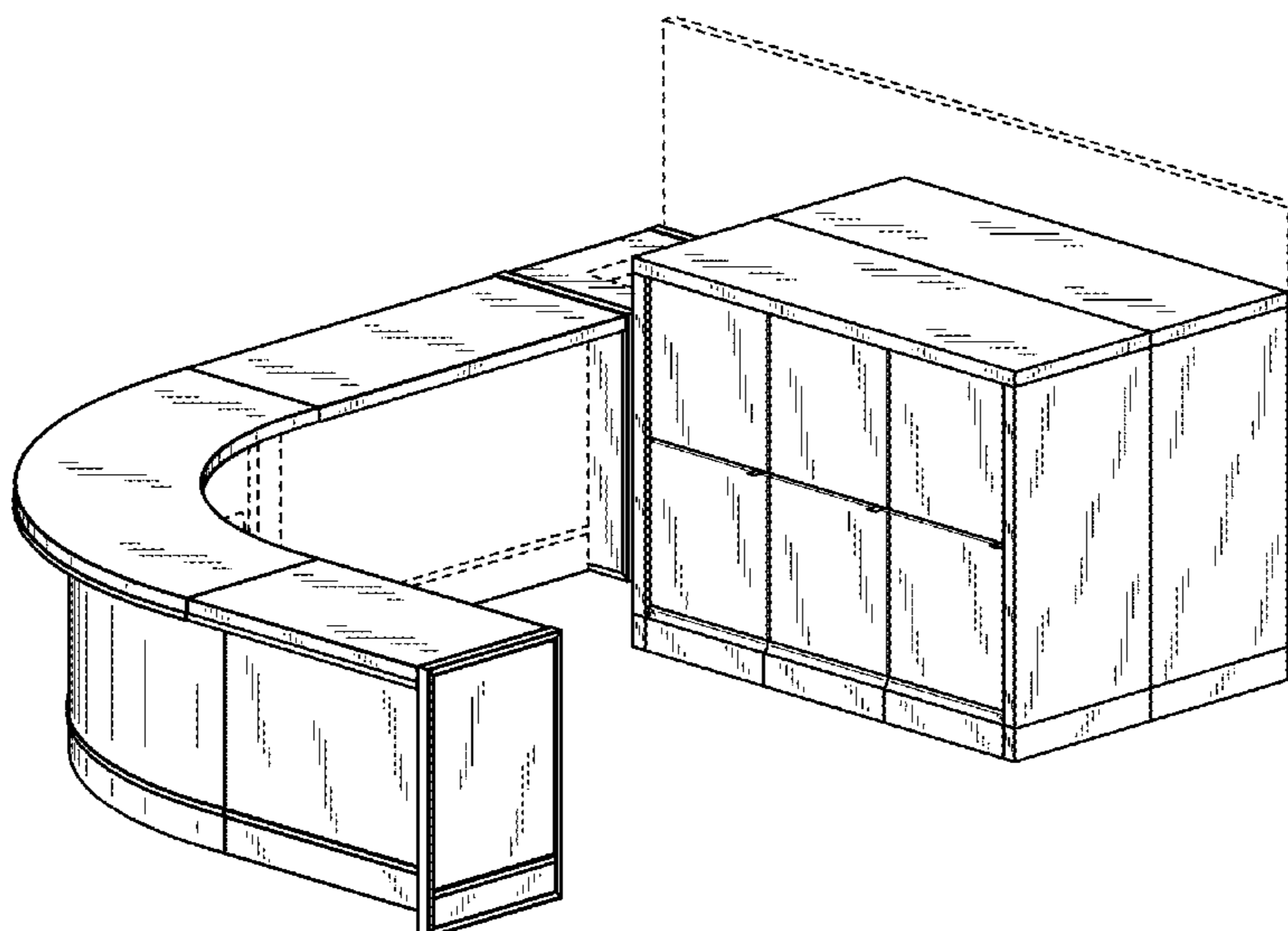
FIG. 5 is a left side view thereof;

FIG. 6 is a right side view thereof; and,

FIG. 7 is a back view thereof.

The broken lines shown in the drawings are included for purposes of illustrating portions of the retail counter and form no part of the claimed design.

1 Claim, 3 Drawing Sheets



(56)

References Cited

U.S. PATENT DOCUMENTS

D386,327 S * 11/1997 Rotchin D25/16
D403,890 S * 1/1999 Geier D6/662.1
5,992,332 A * 11/1999 Grabowski A47B 83/001
108/27
6,158,831 A * 12/2000 Brown A47B 3/08
108/115
D524,076 S * 7/2006 Newhouse D6/648.3
D626,766 S * 11/2010 Sexton D6/648
D684,802 S * 6/2013 Johnson D6/699.2
2007/0267950 A1 * 11/2007 Hartsfield A47F 9/00
312/140.1
2014/0292164 A1 * 10/2014 Kallos A47F 3/00
312/111

* cited by examiner

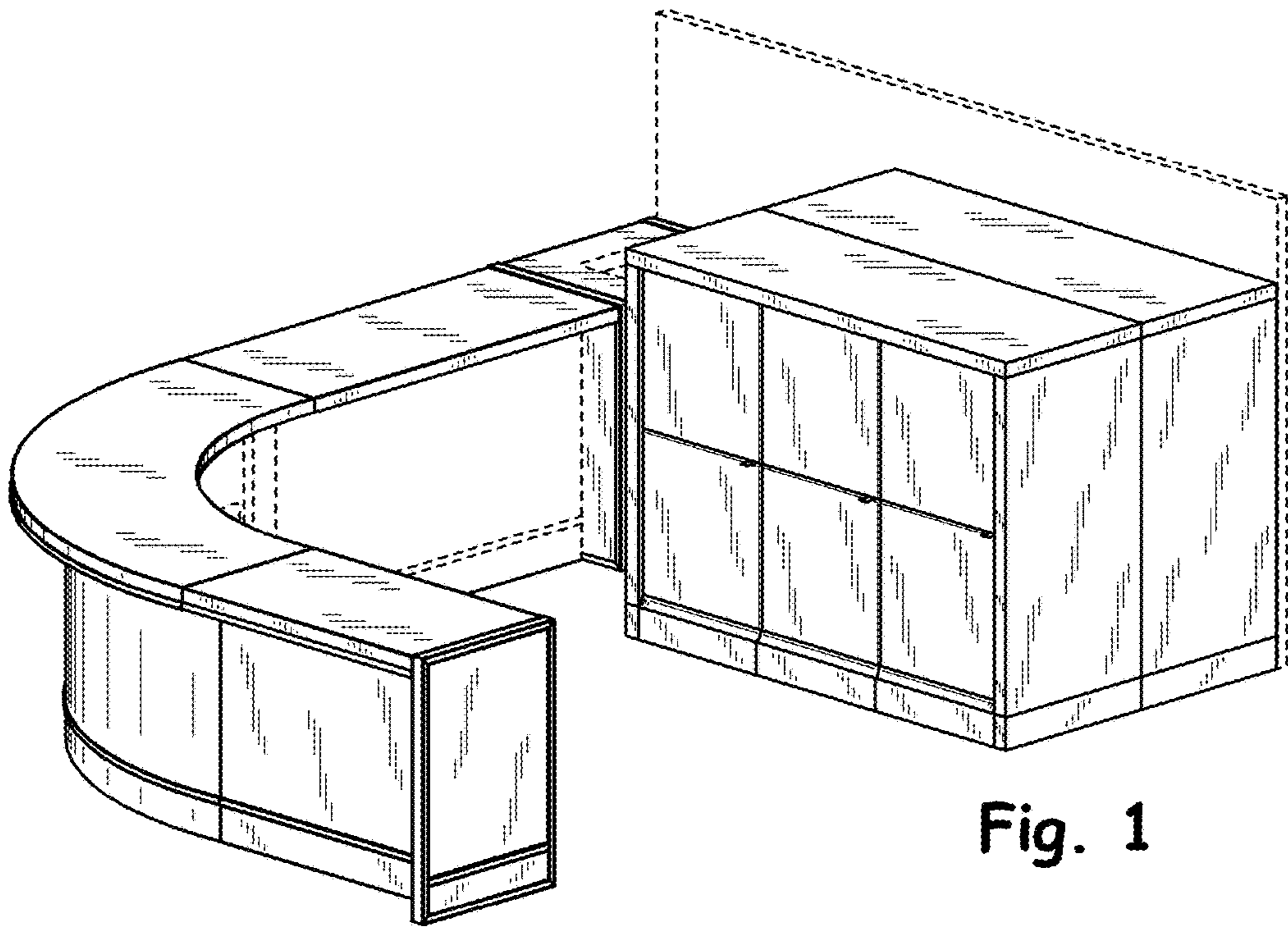


Fig. 1

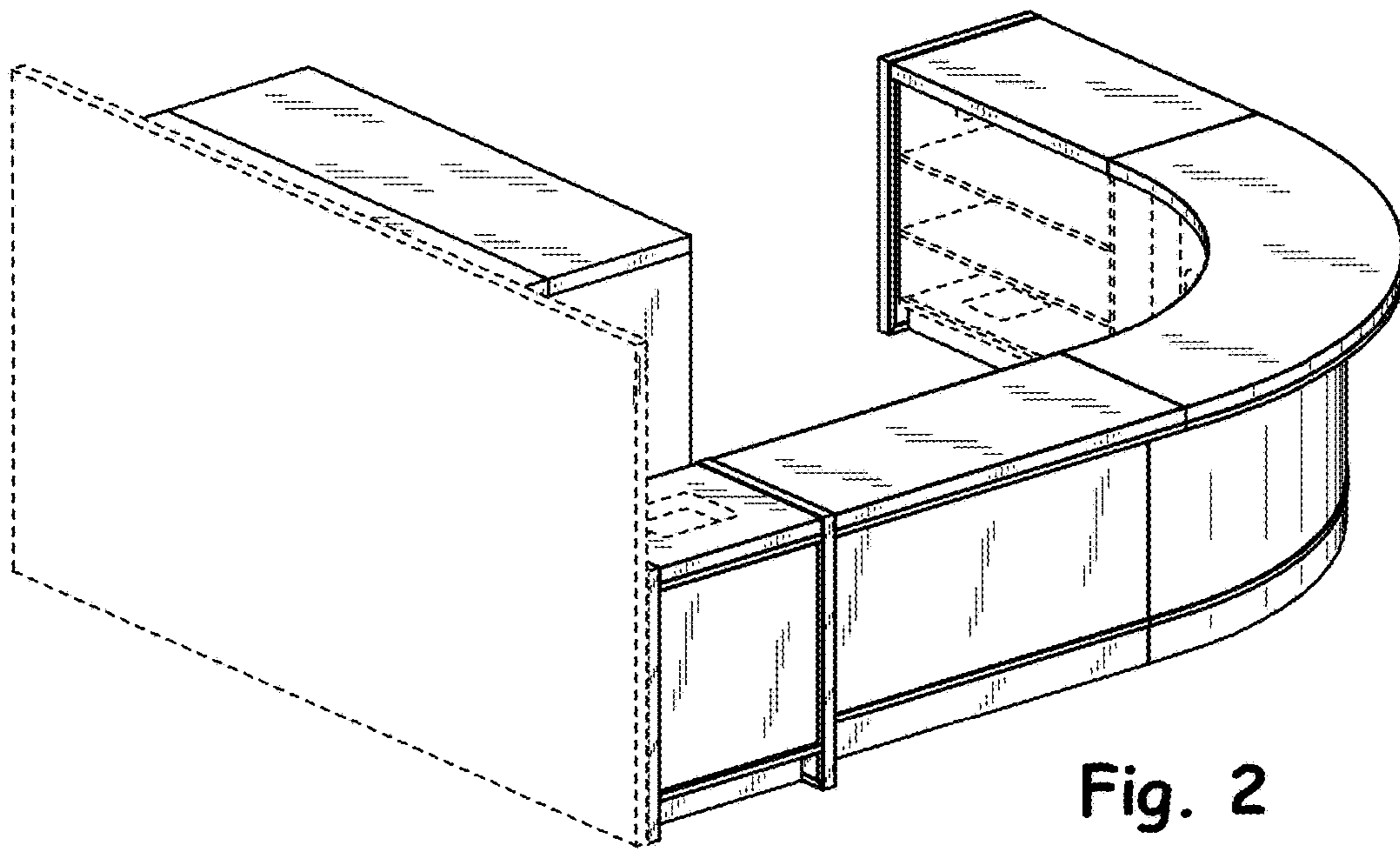


Fig. 2

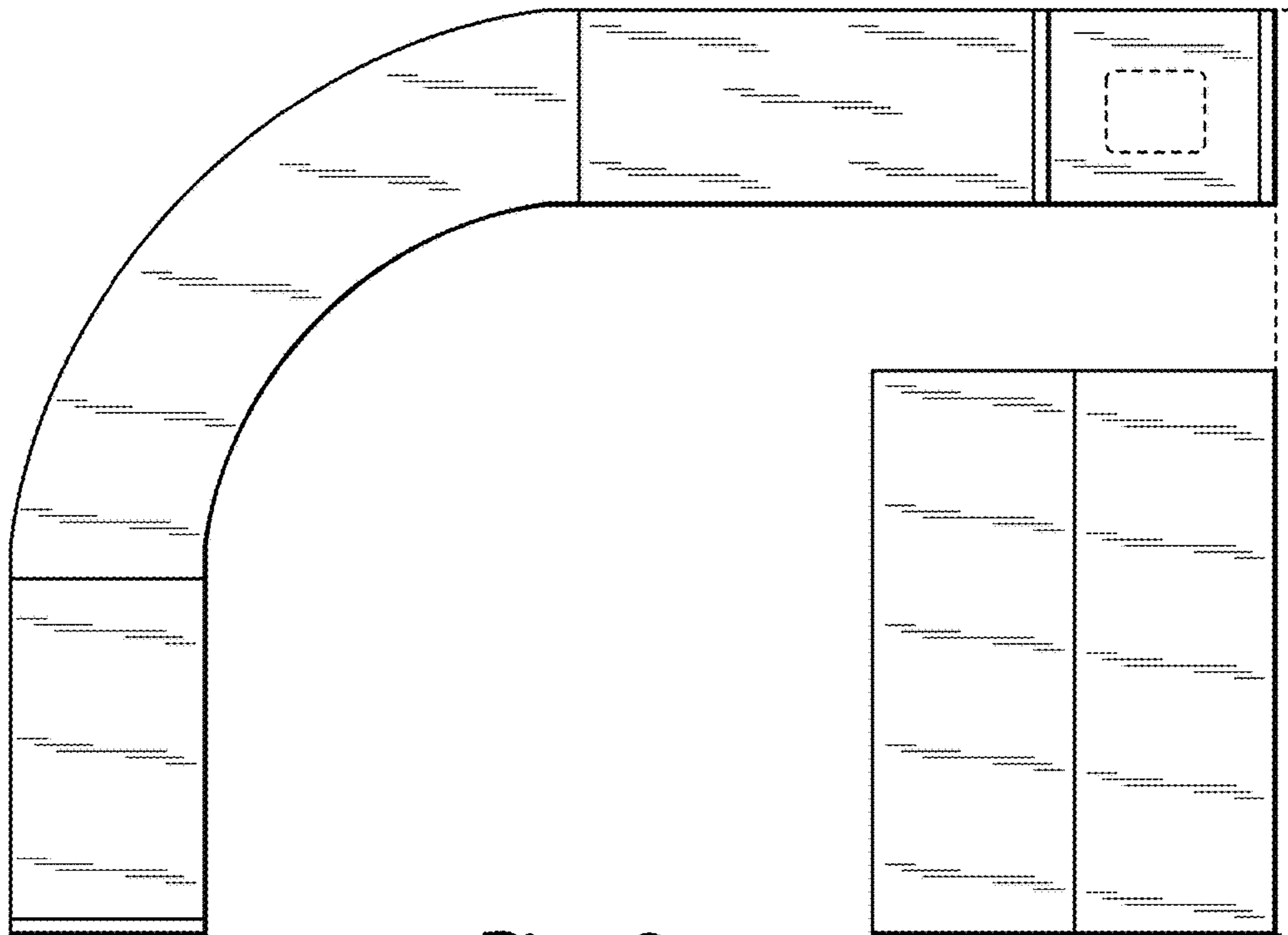


Fig. 3

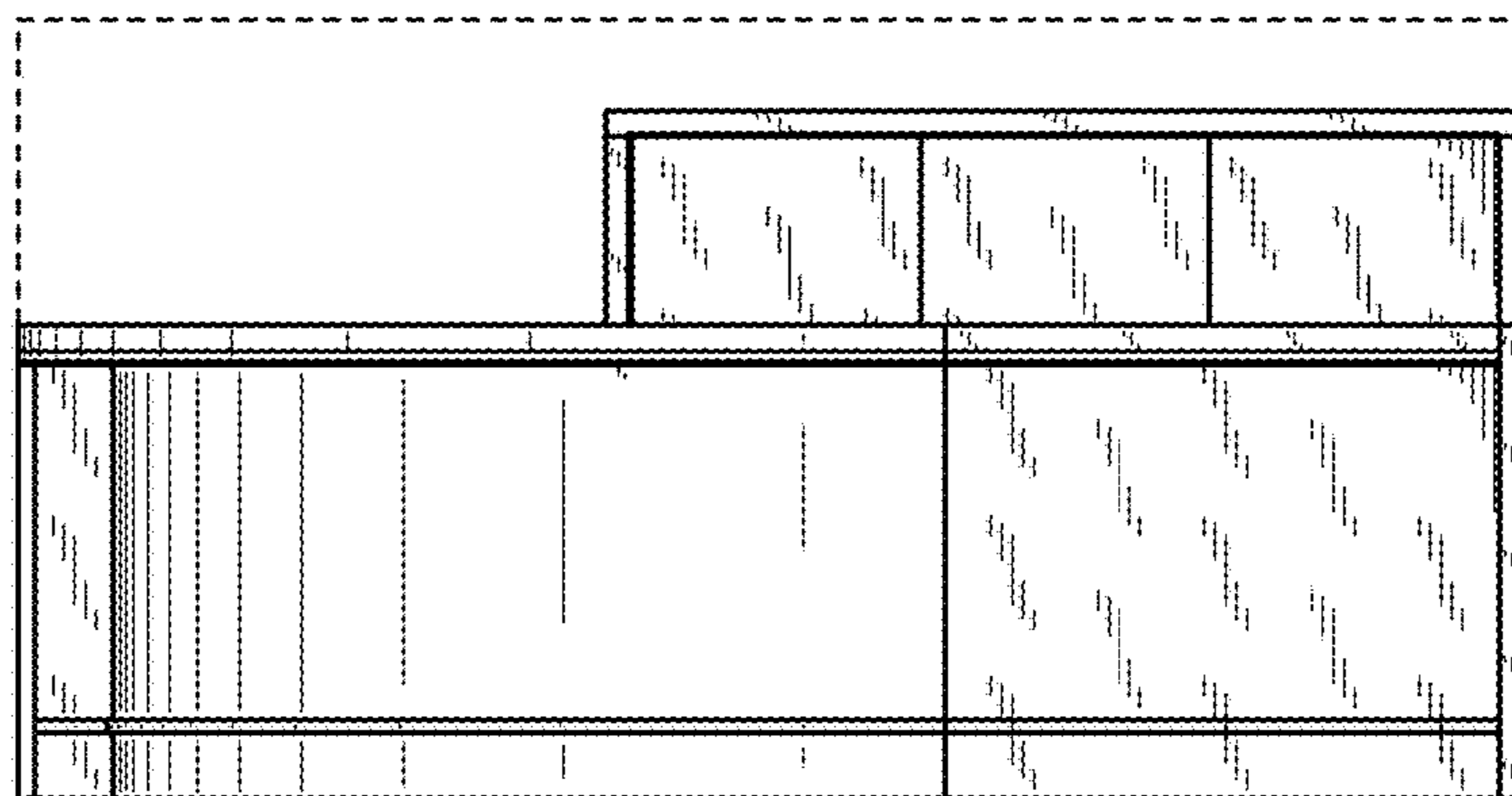


Fig. 4

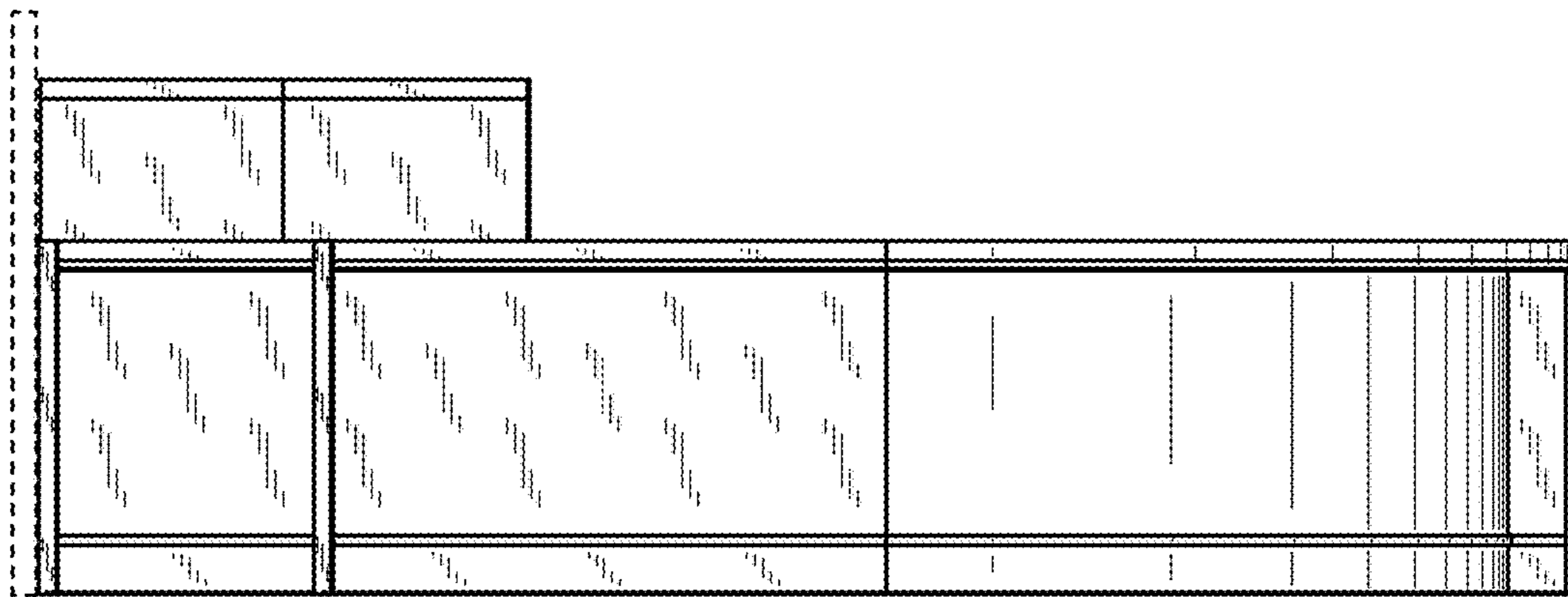


Fig. 5

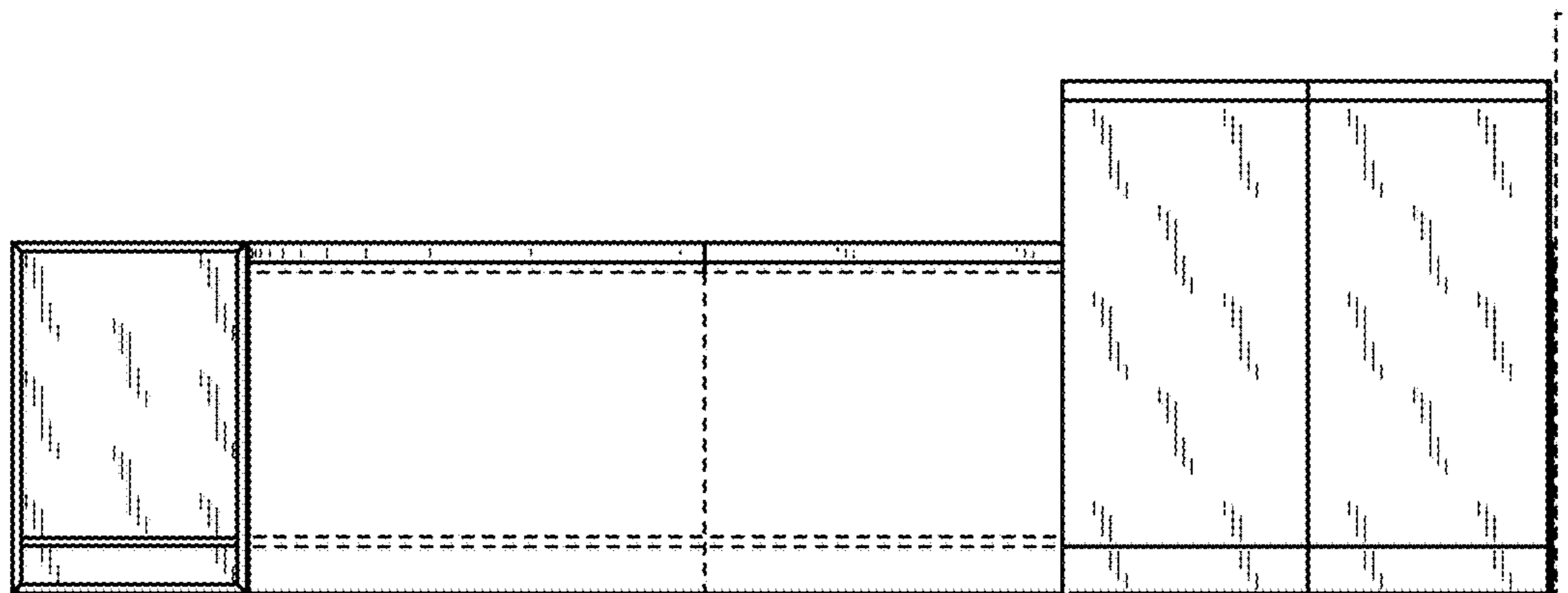


Fig. 6



Fig. 7