



US00D781085S

(12) **United States Design Patent** (10) **Patent No.:** **US D781,085 S**
Liu (45) **Date of Patent:** **** Mar. 14, 2017**

- (54) **WORK DESK**
- (71) Applicant: **Twin-Star International, Inc.**, Delray Beach, FL (US)
- (72) Inventor: **Xin Ying Liu**, Guangdong (CN)
- (73) Assignee: **TWIN-STAR INTERNATIONAL, INC.**, Delray Beach, FL (US)
- (**) Term: **14 Years**
- (21) Appl. No.: **29/525,670**
- (22) Filed: **May 1, 2015**
- (51) **LOC (10) Cl.** **06-04**
- (52) **U.S. Cl.**
USPC **D6/691**
- (58) **Field of Classification Search**
USPC D6/691, 691.1, 685, 689, 692.4, 688.13, D6/656.13, 675
CPC A47B 3/02; A47B 3/00; A47B 3/0818; A47B 3/087; A47B 2200/001; A47B 2200/11; A47B 13/02; A47B 13/04; A47B 13/06; A47B 7/00; A47B 91/005; A47B 17/00; A47B 17/003; A47B 2097/006
See application file for complete search history.

- (56) **References Cited**
U.S. PATENT DOCUMENTS
D406,709 S * 3/1999 Zarker, Jr. D6/691.1
D501,103 S * 1/2005 Ashby D6/691
D504,035 S * 4/2005 Sun D6/691
D515,841 S * 2/2006 Hsu D6/691.6
D565,329 S * 4/2008 Domack D6/691.1

- D613,968 S * 4/2010 Lambert D6/689
- D666,845 S * 9/2012 Lievore D6/691
- D717,572 S * 11/2014 Morrison D6/647
- D723,840 S * 3/2015 Scharer D6/656.13
- D732,852 S * 6/2015 Park D6/656
- D737,610 S * 9/2015 Kitada D6/691.9
- D742,146 S * 11/2015 Lin D6/691
- D750,402 S * 3/2016 Lin D6/691
- D758,113 S * 6/2016 Domingo D6/691
- D767,923 S * 10/2016 Cochran D6/691
- 2013/0055929 A1 * 3/2013 Peery A47B 7/02 108/91
- 2014/0208992 A1 * 7/2014 Cai A47B 3/0912 108/168

* cited by examiner

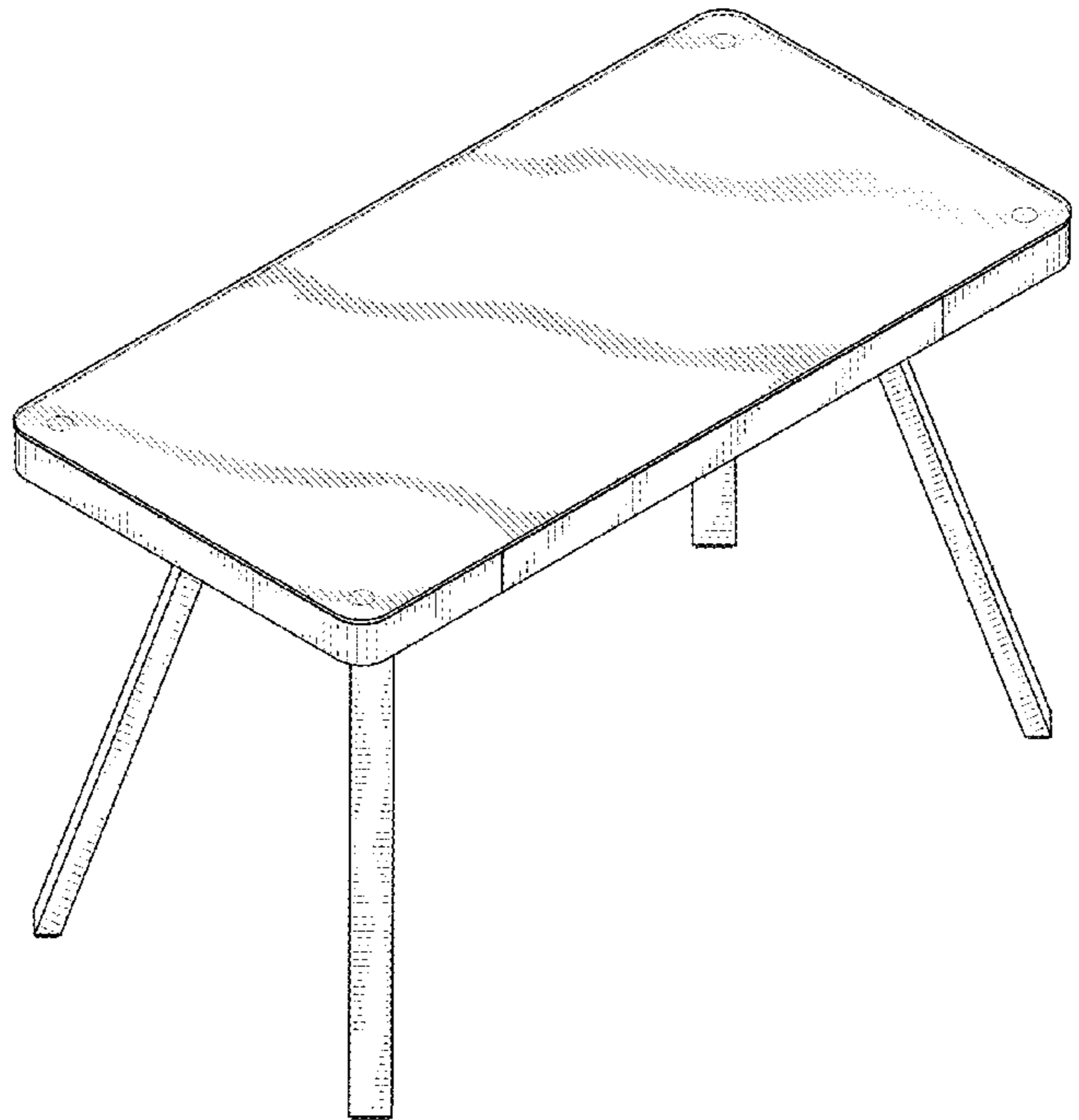
Primary Examiner — Robin V Webster
Assistant Examiner — James Thorn, Sr.
(74) *Attorney, Agent, or Firm* — Johnson & Martin, P.A.; James David Johnson

(57) **CLAIM**
The ornamental designs for a work desk, as shown and described.

DESCRIPTION

FIG. 1 is a perspective view of an ornamental design for a work desk.
FIG. 2 is a front elevation view of the work desk of FIG. 1.
FIG. 3 is a rear elevation view of the work desk of FIG. 1.
FIG. 4 is a left side elevation view of the work desk of FIG. 1.
FIG. 5 is a right side elevation view of the work desk of FIG. 1; and,
FIG. 6 is a top plan view of the work desk of FIG. 1.

1 Claim, 5 Drawing Sheets



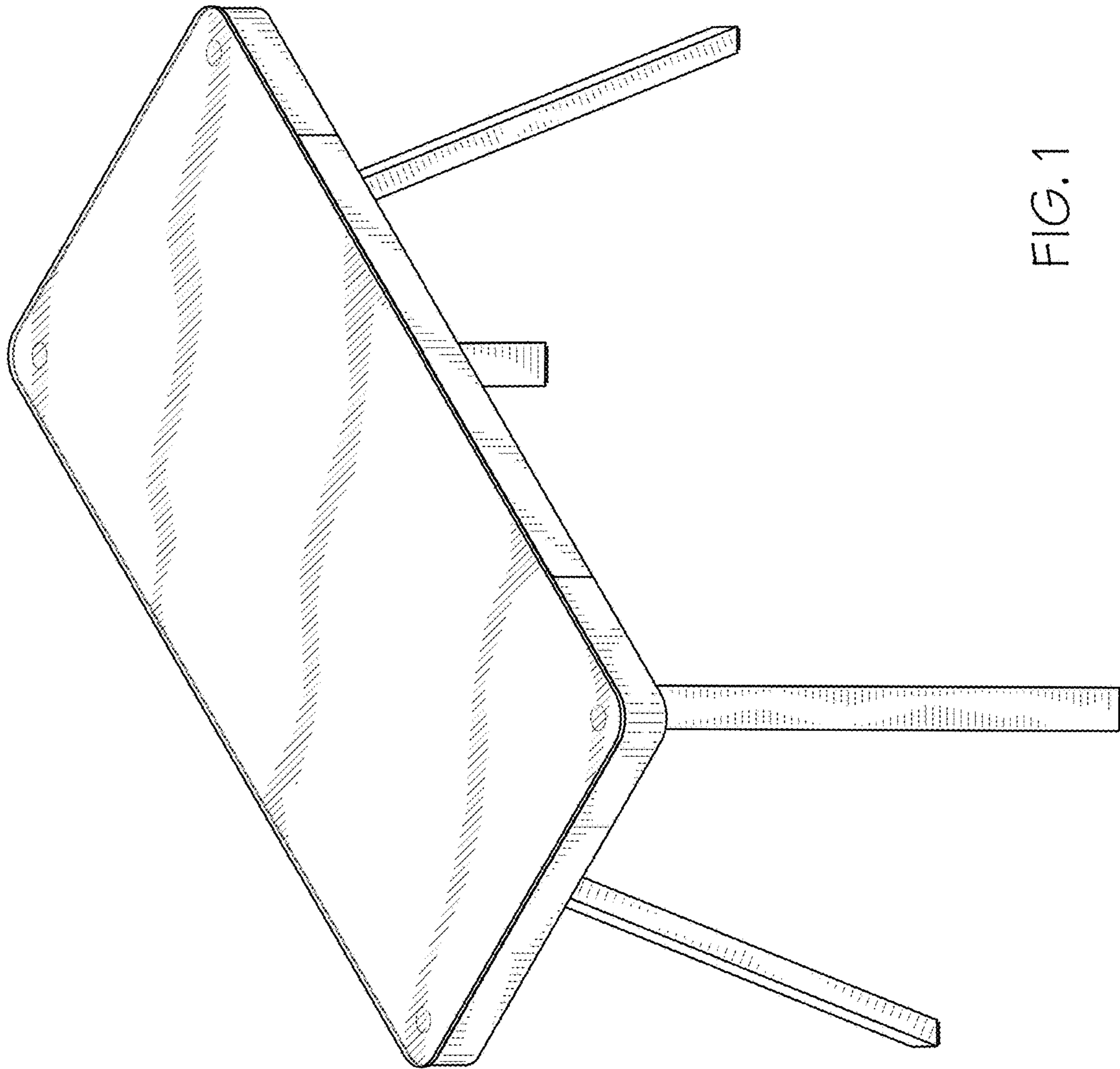


FIG. 1



FIG. 2

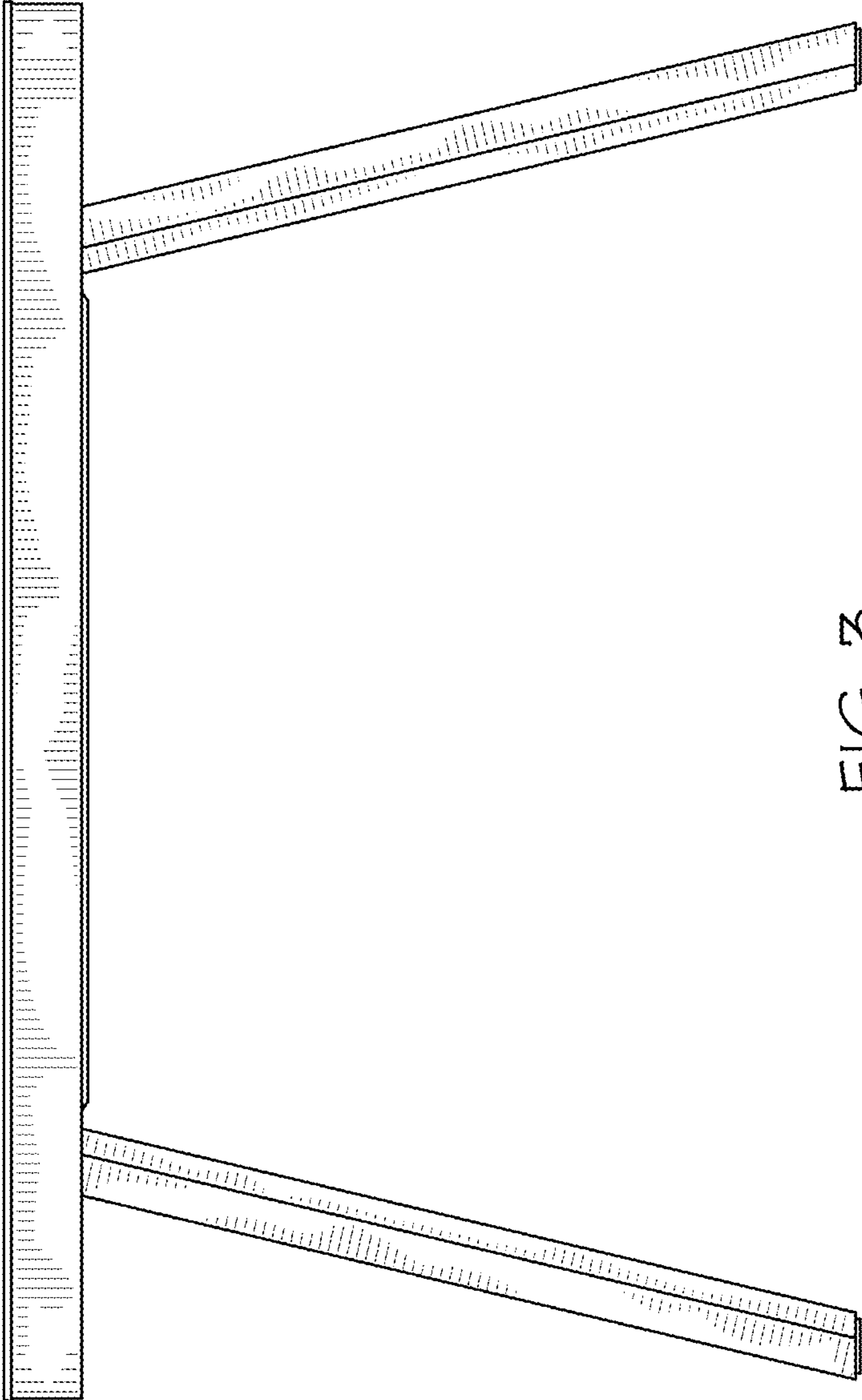


FIG. 3

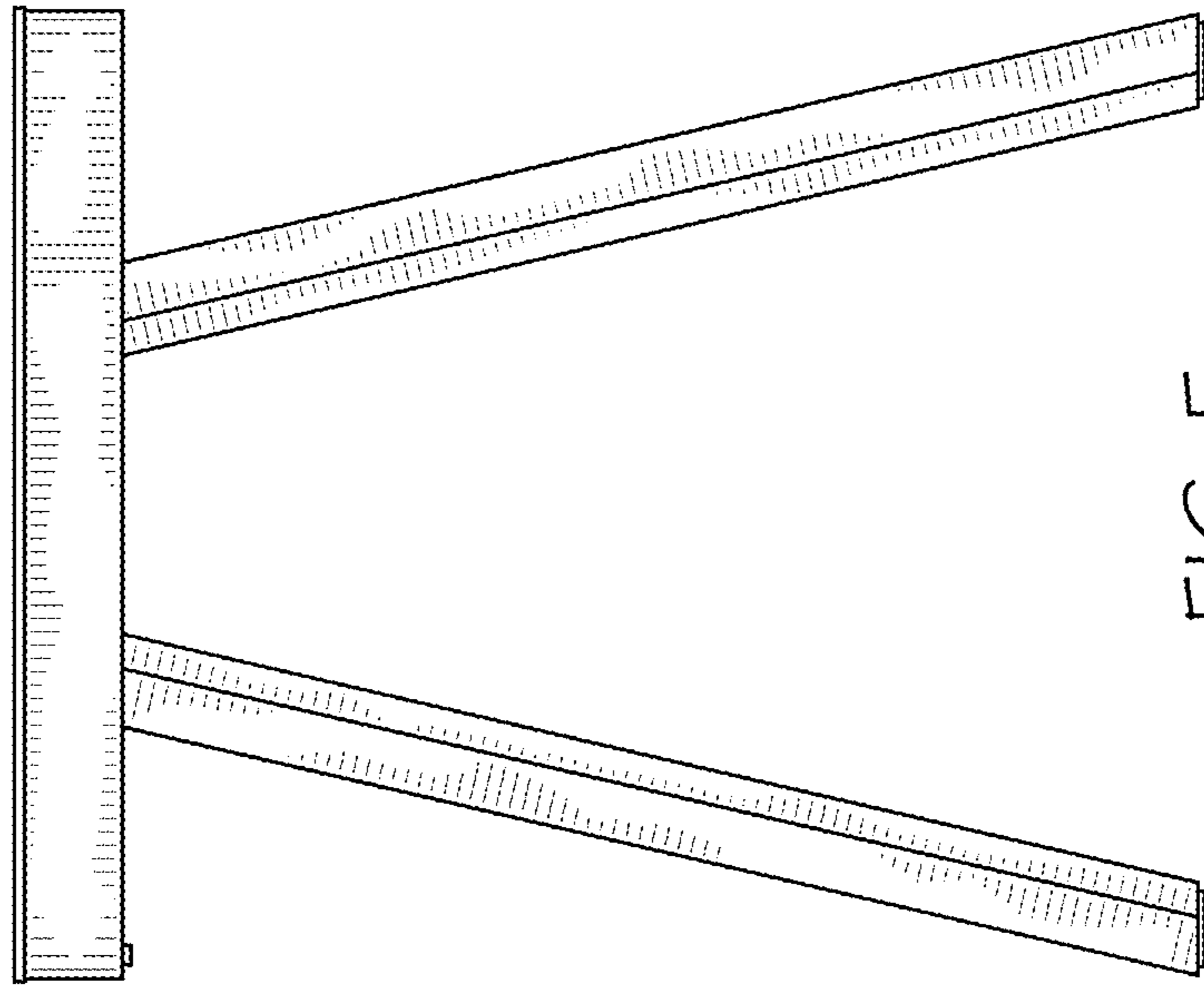


FIG. 5

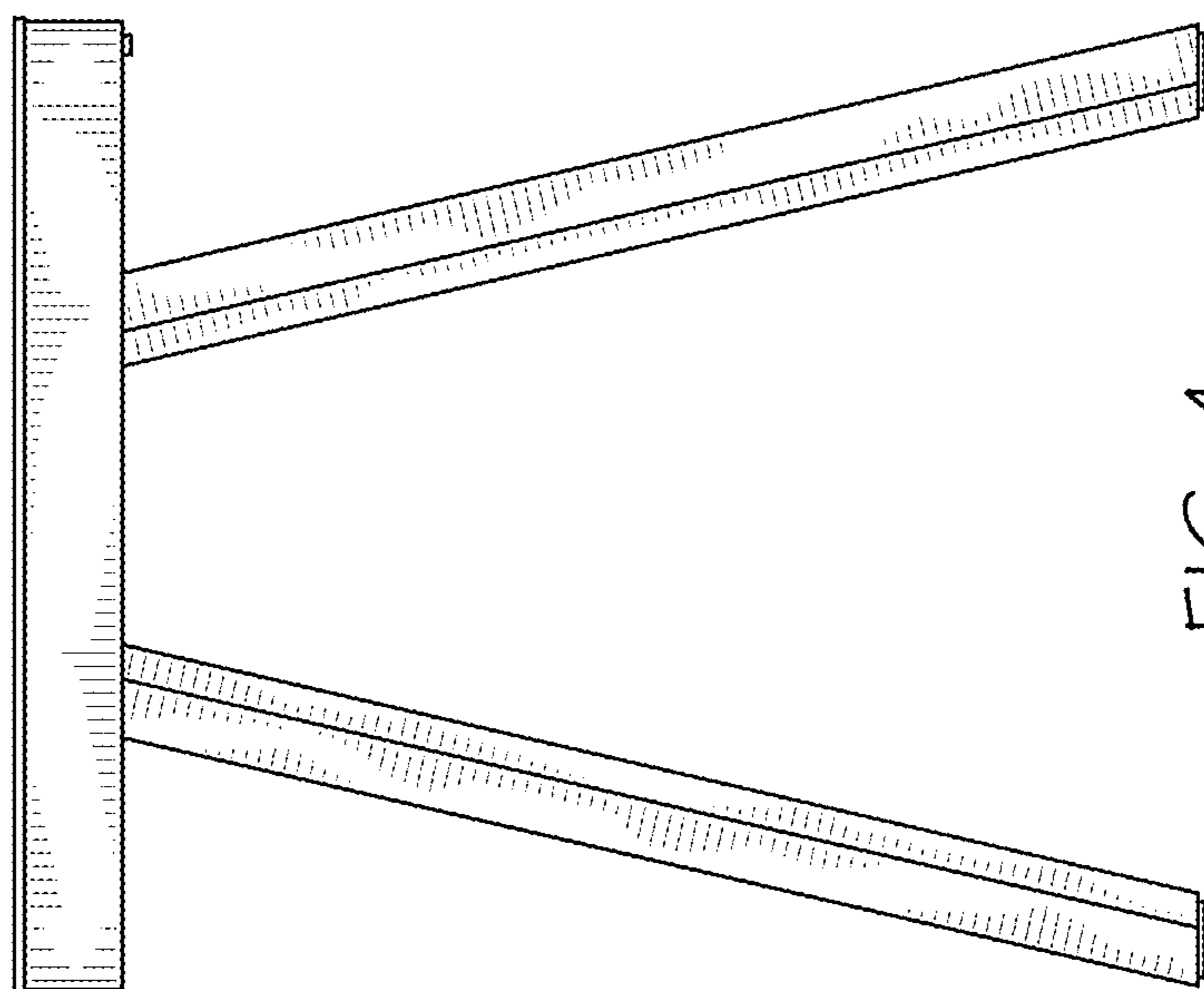


FIG. 4

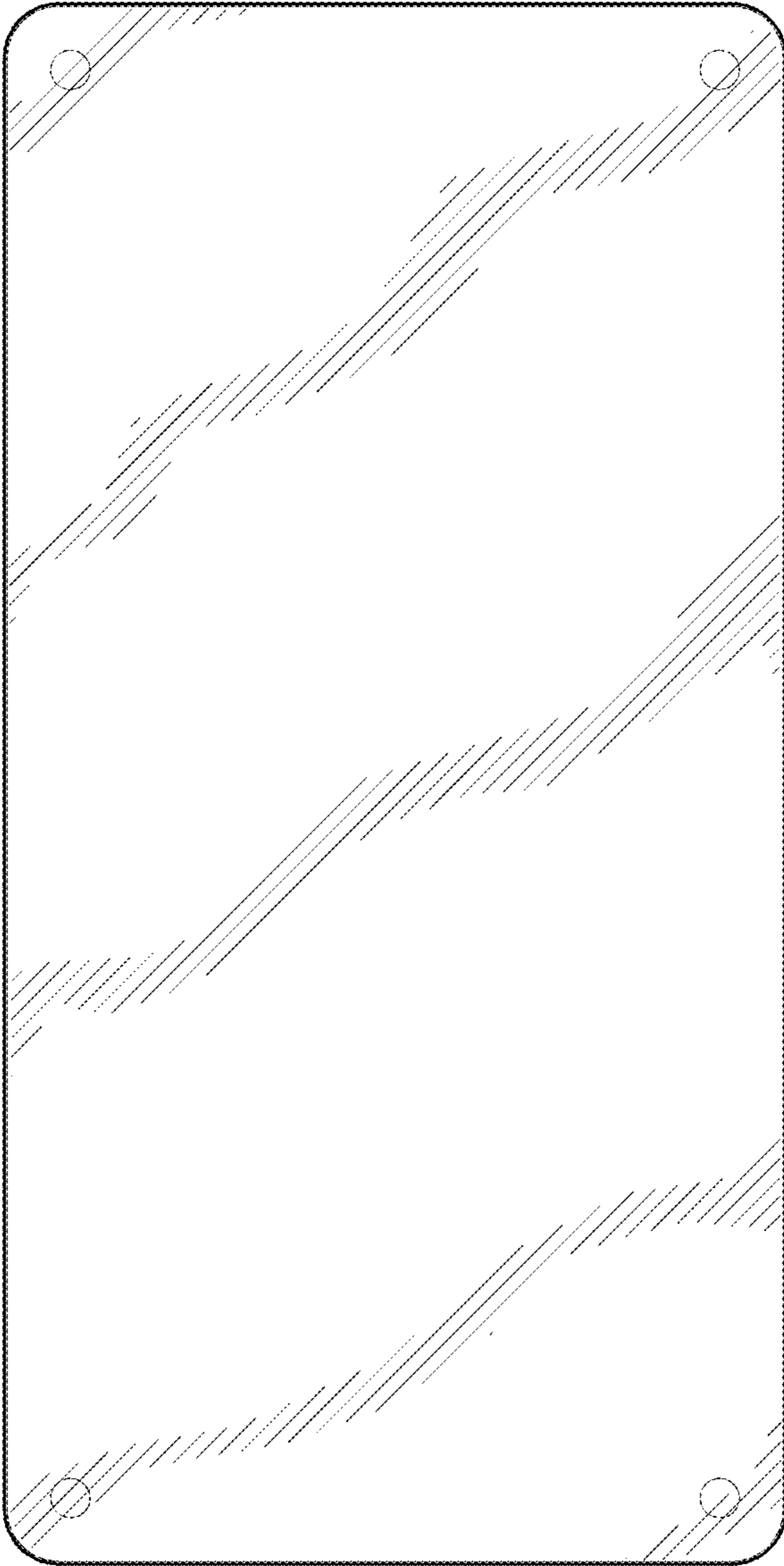


FIG. 6