



US00D781084S

(12) **United States Design Patent** (10) **Patent No.:** **US D781,084 S**  
**Filoon** (45) **Date of Patent:** **\*\* Mar. 14, 2017**

(54) **BASEBALL BAT TABLE**  
(71) Applicant: **Kevin G. Filoon**, Doylestown, PA (US)  
(72) Inventor: **Kevin G. Filoon**, Doylestown, PA (US)  
(\*\*) Term: **14 Years**  
(21) Appl. No.: **29/504,329**  
(22) Filed: **Oct. 3, 2014**  
(51) **LOC (10) Cl.** ..... **06-03**  
(52) **U.S. Cl.**  
USPC ..... **D6/688.1**  
(58) **Field of Classification Search**  
USPC ... D6/349, 351, 641, 649, 650, 656, 656.11,  
D6/656.13, 656.15, 678, 685, 686, 688,  
D6/688.1, 688.24, 688.26, 688.27, 691,  
D6/691.1, 691.5, 692, 692.3, 695, 696,  
D6/696.1, 696.2, 696.3, 705, 708, 708.1,  
D6/708.11, 708.13, 709, 709.1, 709.11,  
D6/709.13, 645, 697, 406.3, 406.4, 406.5,  
D6/406.6; D21/780  
CPC ..... A47B 1/00; A47B 1/08; A47B 2003/0821;  
A47B 7/00; A47B 9/00; A47B 9/04;  
A47B 9/10; A47B 9/12; A47B 9/16;  
A47B 13/00; A47B 2013/026; A47B  
13/023; A47B 13/04; A47B 13/06; A47B  
19/06; A47B 21/02; A47B 21/0314; A47B  
2021/03  
See application file for complete search history.

(56) **References Cited**  
U.S. PATENT DOCUMENTS  
747,204 A \* 12/1903 Mock ..... A47C 9/105  
108/118  
2,723,888 A \* 11/1955 Bally ..... A47B 9/16  
248/157  
3,309,055 A \* 3/1967 Sefcik ..... A47B 3/12  
108/159.12  
D226,599 S 4/1973 Charles

D309,683 S 8/1990 Solomon et al.  
D328,990 S \* 9/1992 Kwiescinski ..... D6/649  
D343,074 S 1/1994 Whiteaker et al.  
D348,363 S 7/1994 Willemsen  
D373,265 S 9/1996 Horvath  
D375,640 S 11/1996 Marx  
D391,787 S 3/1998 Horvath  
D432,802 S \* 10/2000 Taylor ..... D6/351  
D445,268 S \* 7/2001 Taylor ..... D6/351  
D455,294 S 4/2002 Jeup  
(Continued)

**OTHER PUBLICATIONS**

'Baseball Bat End Table Real Wood Table Bat Table by KrossBat-Tables'. pinterest.com [online]. Undated [retrieved Jul. 27, 2016]. Retrieved from the Internet: <URL: https://www.pinterest.com/pin/419045940304079272/>.\*  
(Continued)

*Primary Examiner* — Mary Ann Calabrese  
(74) *Attorney, Agent, or Firm* — Wayne D Carroll; IP Works, PLLC

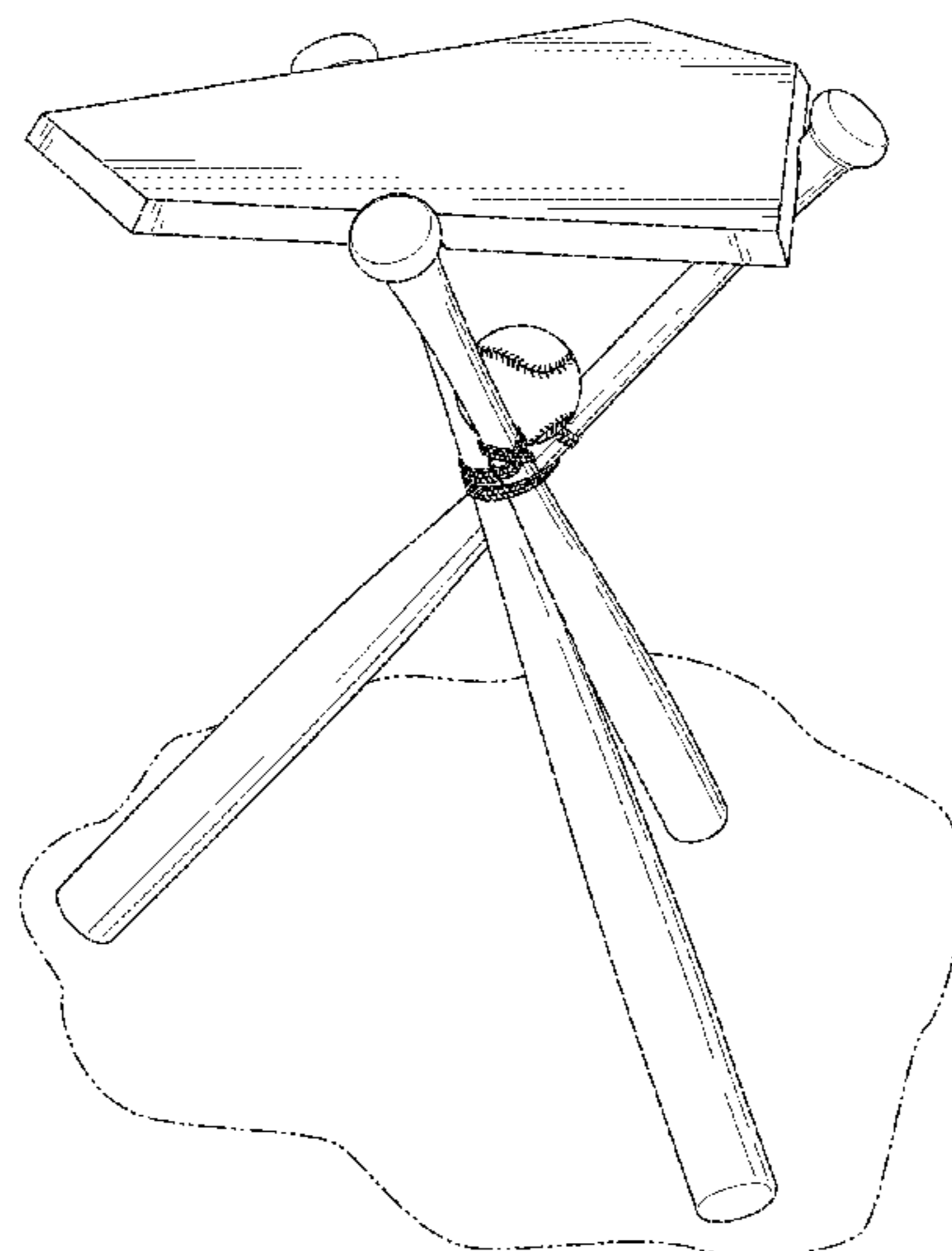
(57) **CLAIM**

The ornamental design for a baseball bat table, as shown and described.

**DESCRIPTION**

FIG. 1 is a top front perspective view of a baseball bat table; FIG. 2 is a front elevation view thereof; FIG. 3 is a right side elevation view thereof; FIG. 4 is a rear elevation view thereof; FIG. 5 is a left side elevation view thereof; FIG. 6 is a top plan view thereof; and, FIG. 7 is a bottom plan view thereof. The matter shown in broken line illustrates environmental structure and forms no part of the claimed design.

**1 Claim, 7 Drawing Sheets**



(56)

**References Cited**

U.S. PATENT DOCUMENTS

D503,555 S	4/2005	Hightower	
D564,263 S	3/2008	D'Onofrio	
D572,040 S	7/2008	D'Onofrio	
7,748,777 B2 *	7/2010	Park .....	A47C 4/286 297/16.1
D623,437 S	9/2010	Dively et al.	
D702,976 S *	4/2014	Mark .....	D6/708
D714,579 S *	10/2014	Sutton .....	D6/349
D727,642 S *	4/2015	Mark .....	D6/349

OTHER PUBLICATIONS

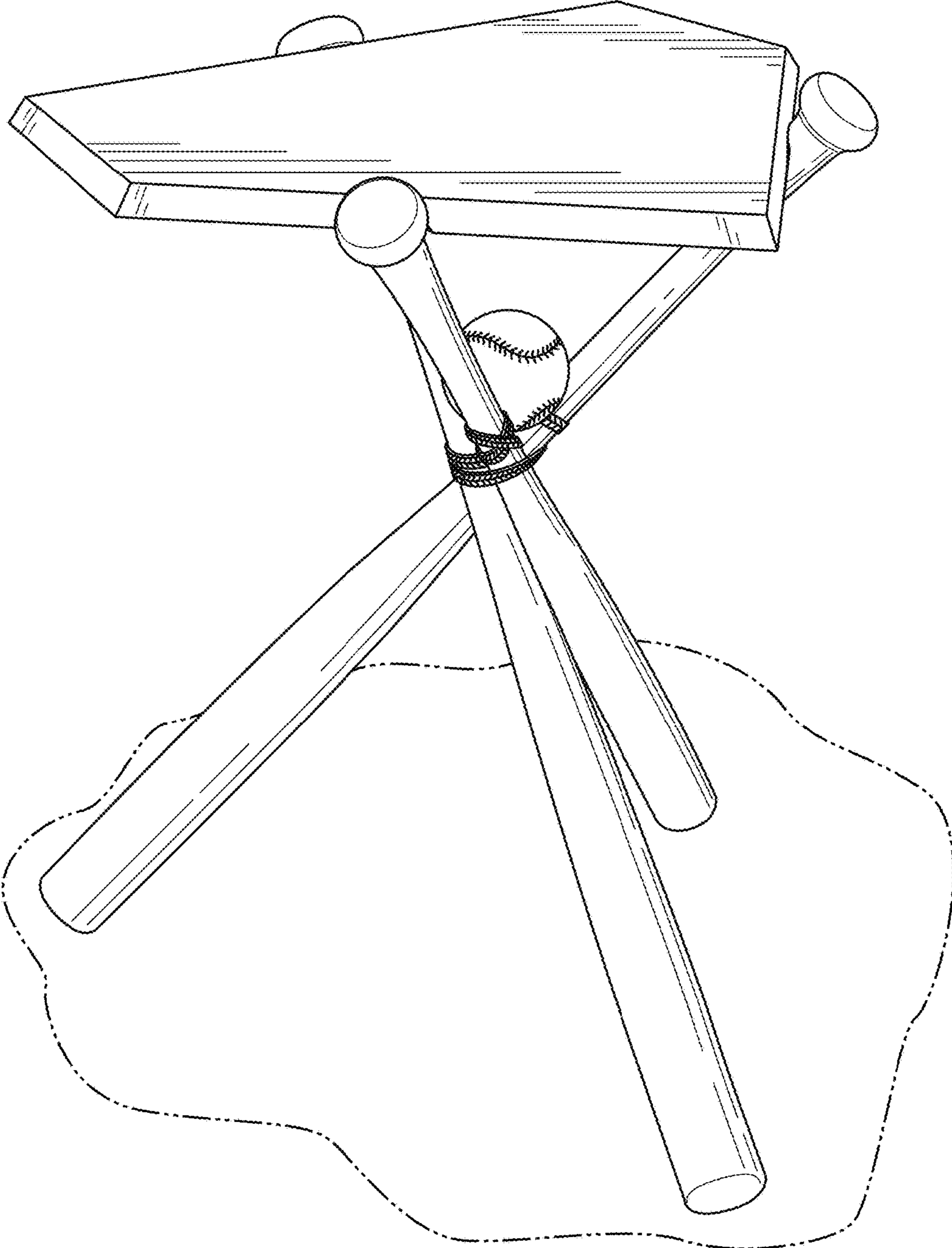
'Baseball Table Image #11 Baseball Bat Coffee Table By Alexis Black'. awakenthefuture.com [online]. Jul. 8, 2016 [retrieved Jul. 27, 2016]. Retrieved from the Internet: <URL: <http://www.awakenthefuture.com/2016/07/08/baseball-table-options/baseball-bat-coffee-table-11/>>.\*

Publisher: Blogger.com at site [www.atobeingcreations.com](http://www.atobeingcreations.com);  
 Author: Perry, Ashley; Title: Homemade Christmas #5 Baseball Bat Night Stand; p. 1; archived Jan. 14, 2012 at <https://web.archive.org/web/20120114145531/http://www.atobeingcreations.com/2011/12/homemade-christmas-5-baseball-bat-night.html>.

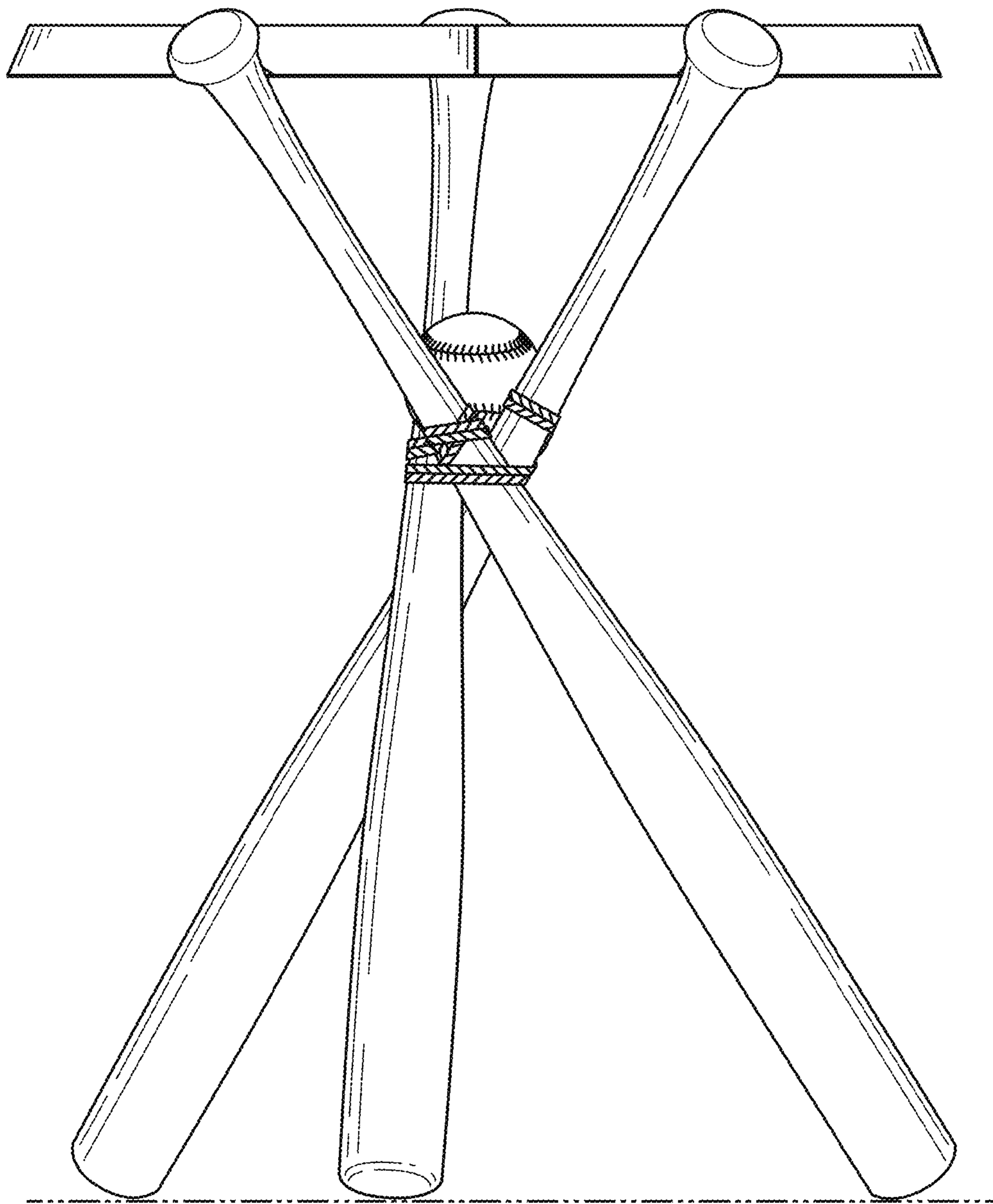
Publisher: One of a Kind Design Inc., Author: Unknown; Title: Baseball A perfect gift idea for every baseball Fan!; p. 1; Archived Mar. 4, 2012 at <https://web.archive.org/web/20120304022918/http://www.sportstables.ca/baseball.html>.

\* cited by examiner

**FIG. 1**

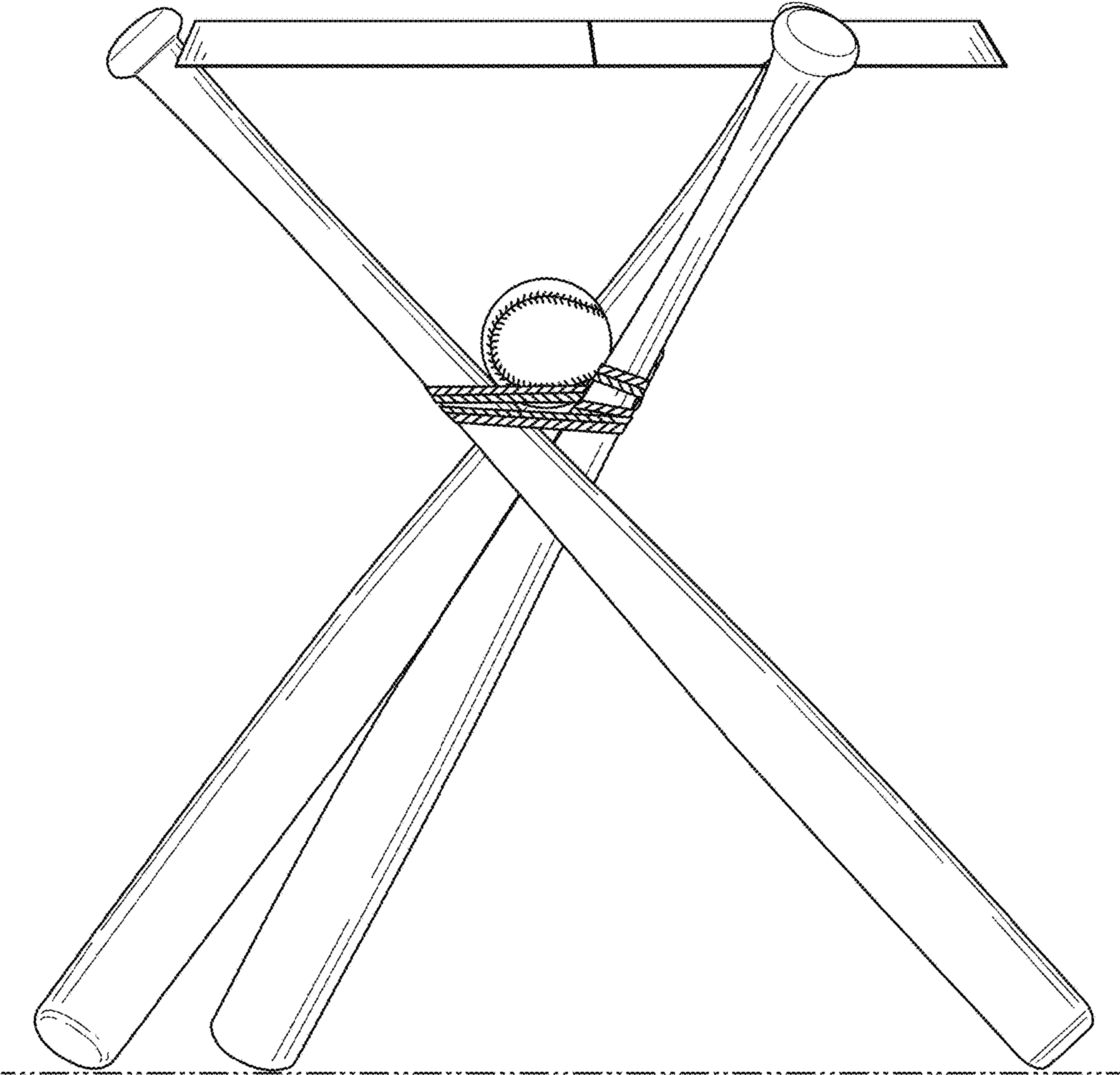


***FIG. 2***

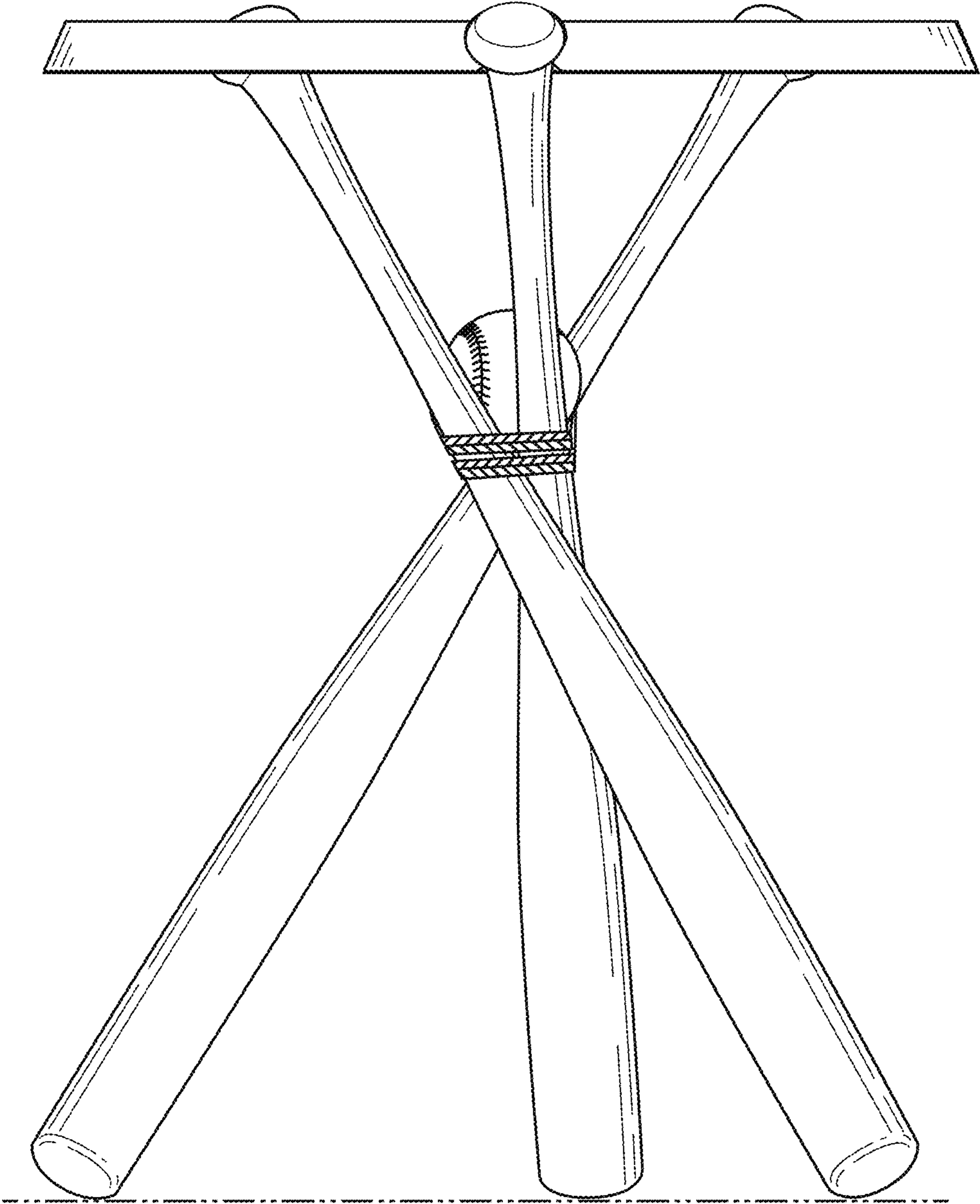




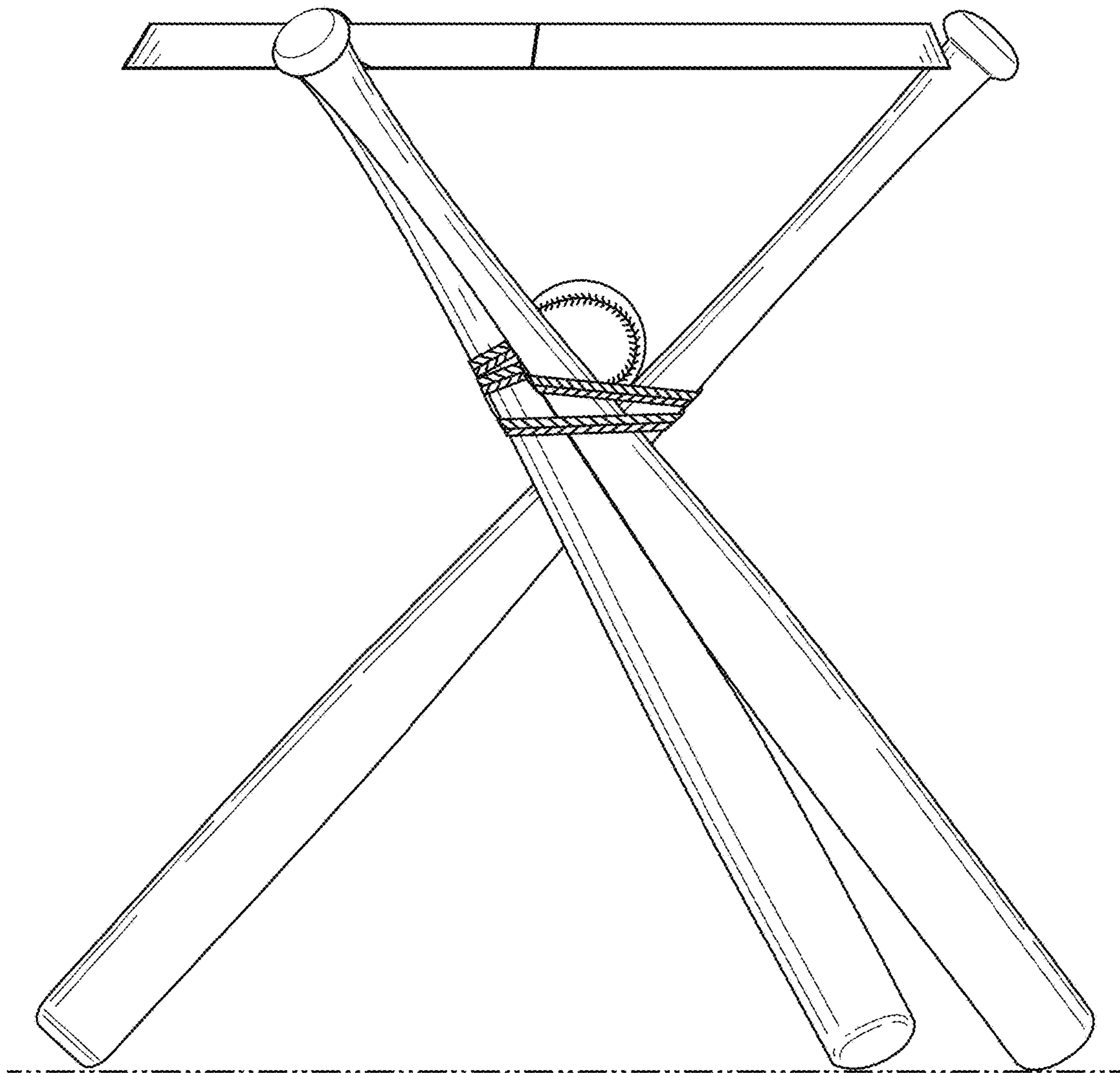
*FIG. 3*



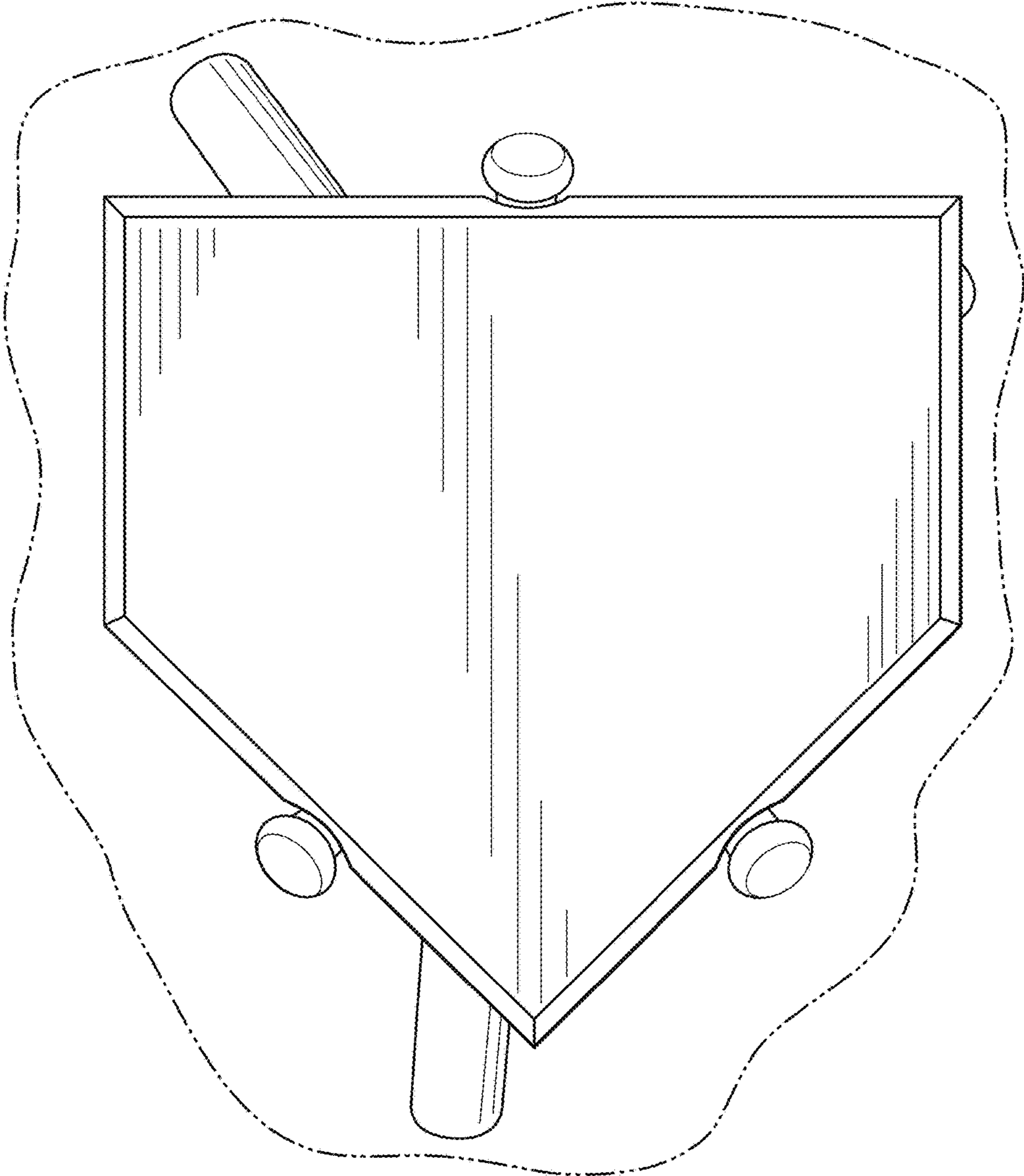
**FIG. 4**



*FIG. 5*



**FIG. 6**





**FIG. 7**

