



US00D781083S

(12) **United States Design Patent**
Zhu

(10) **Patent No.:** **US D781,083 S**

(45) **Date of Patent:** **** Mar. 14, 2017**

(54) **WORKBENCH**

(71) Applicant: **Jinhua Wis Tools Co., Ltd**, Zhejiang (CN)

(72) Inventor: **Hansong Zhu**, Zhejiang (CN)

(73) Assignee: **JINHUA WIS TOOLS CO., LTD**, Zhejiang (CN)

(**) Term: **14 Years**

(21) Appl. No.: **29/516,382**

(22) Filed: **Feb. 1, 2015**

(51) **LOC (10) Cl.** **06-03**

(52) **U.S. Cl.**
USPC **D6/684**

(58) **Field of Classification Search**
USPC D6/684, 340; D8/71, 354, 355;
144/286.1, 286.5, 287
CPC ... B65D 2519/00323; A47B 3/00; A47B 3/02;
A47B 3/0916; A47B 3/06; D06F 81/02;
A47C 9/105; B25H 1/00; A01K 97/28;
B25B 5/108
See application file for complete search history.

(56) **References Cited**

U.S. PATENT DOCUMENTS

D279,736 S *	7/1985	Zastera	D6/684
D295,001 S *	4/1988	Ferdinand	D6/336
D298,786 S *	12/1988	Wilkinson	D6/355
D357,140 S *	4/1995	Hollinger	D6/684
6,113,088 A *	9/2000	Gakhar	B25B 5/105 269/139
6,161,486 A *	12/2000	Boots	A47B 5/06 108/33
D448,948 S *	10/2001	Wolff	D6/684
D461,330 S *	8/2002	Wang	D6/349
D563,113 S *	3/2008	Snider	D6/684

D564,250 S *	3/2008	Haimoff	D6/684
D565,320 S *	4/2008	Wenskowski	D6/684
D566,419 S *	4/2008	Naim	D6/684
D577,507 S *	9/2008	Collins	D6/684

(Continued)

Primary Examiner — John Windmuller

Assistant Examiner — Steven Czyz

(74) *Attorney, Agent, or Firm* — JMB Davis Ben-David

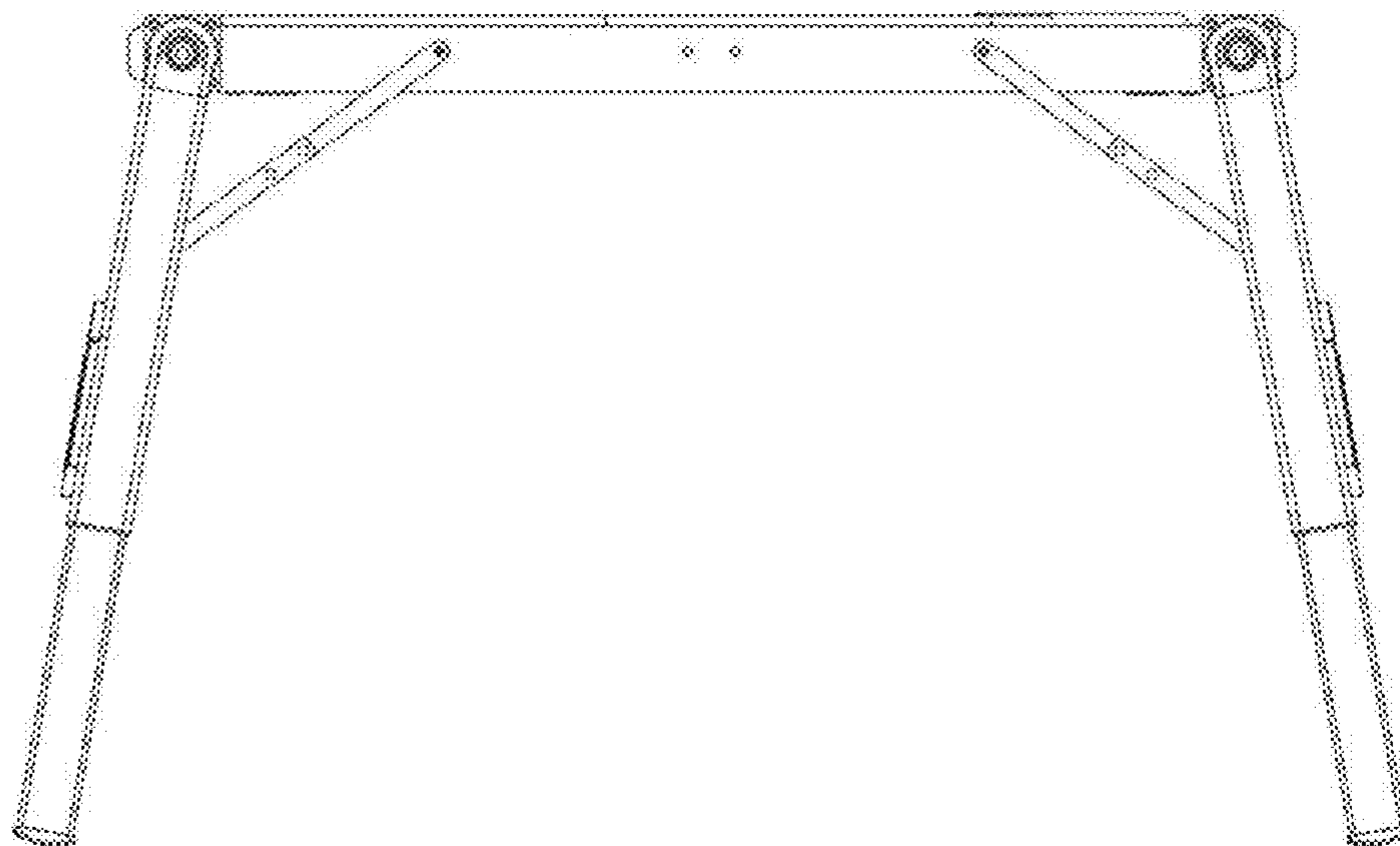
(57) **CLAIM**

The ornamental design for a workbench, as shown and described.

DESCRIPTION

FIG. 1 shows a front view of a workbench;
 FIG. 2 is a top view thereof;
 FIG. 3 is a back view thereof;
 FIG. 4 is a bottom view thereof;
 FIG. 5 is a left-side view thereof;
 FIG. 6 is a right-side view thereof;
 FIG. 7 is a perspective view thereof;
 FIG. 8 is a perspective view thereof, shown in an alternate state for ease of disclosure;
 FIG. 9 is a perspective view thereof; shown in a second alternate state for ease of disclosure;
 FIG. 10 is a perspective view thereof; shown in a third alternate state for ease of disclosure.
 FIG. 11 shows a front view of an alternate configuration of the workbench, with the handles extended;
 FIG. 12 is a bottom view thereof;
 FIG. 13 is a top view thereof;
 FIG. 14 is a left-side view thereof;
 FIG. 15 is a right-side view thereof;
 FIG. 16 is a back view thereof; and,
 FIG. 17 is a perspective view thereof.
 The broken lines in FIGS. 4 and 12 represent unclaimed environment only, and forms no part of the claimed design.

1 Claim, 11 Drawing Sheets



(56)

References Cited

U.S. PATENT DOCUMENTS

D614,887	S *	5/2010	Reeves	D6/684
8,267,017	B1 *	9/2012	Michael	A47B 5/04
					108/134
D729,555	S *	5/2015	Saigauvker	D6/684
2009/0000522	A1 *	1/2009	Collins	B25H 1/04
					108/12
2013/0285302	A1 *	10/2013	Helm	B25H 1/14
					269/17
2016/0016304	A1 *	1/2016	Zhu	B25H 1/12
					269/16

* cited by examiner

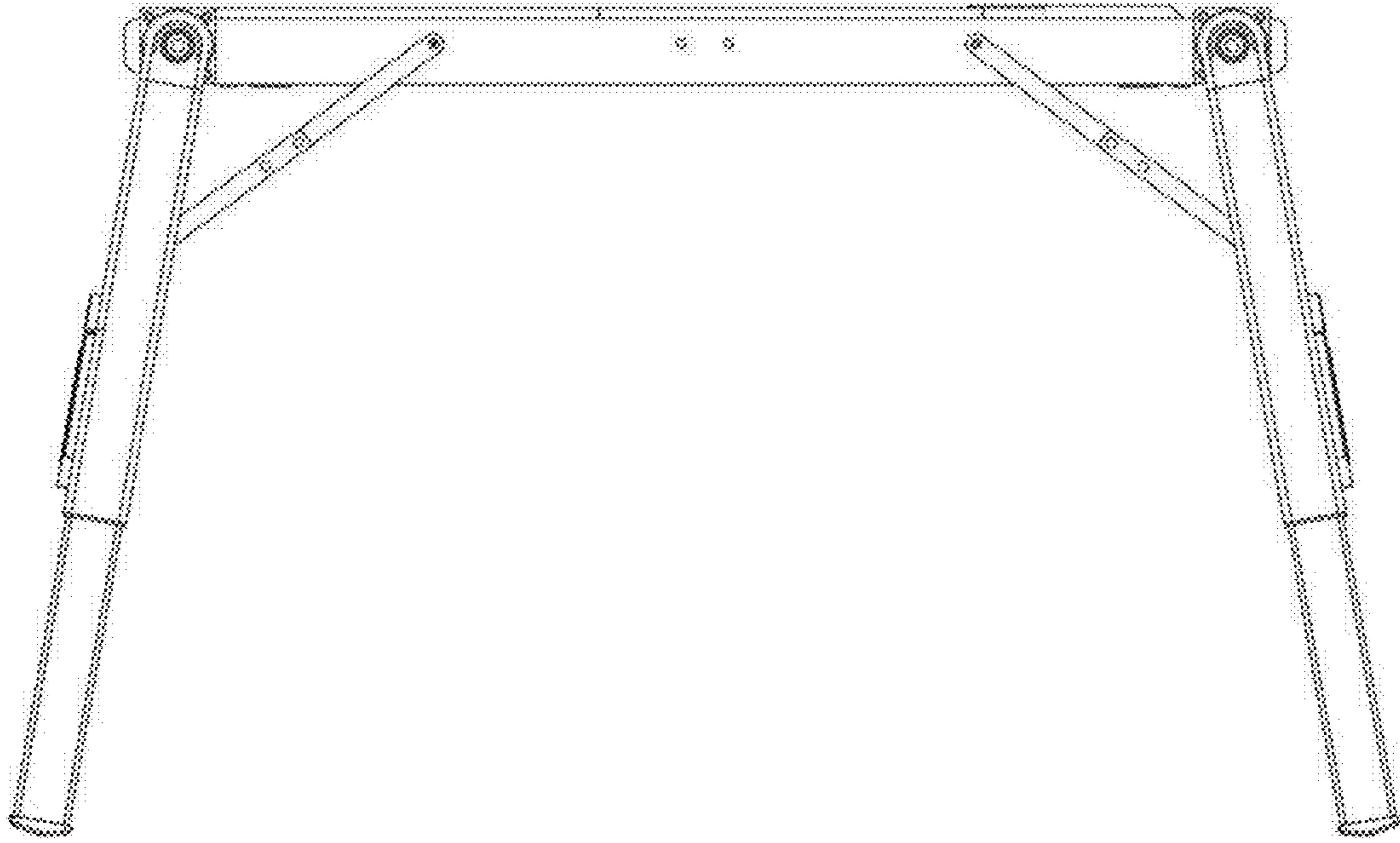


FIG.1

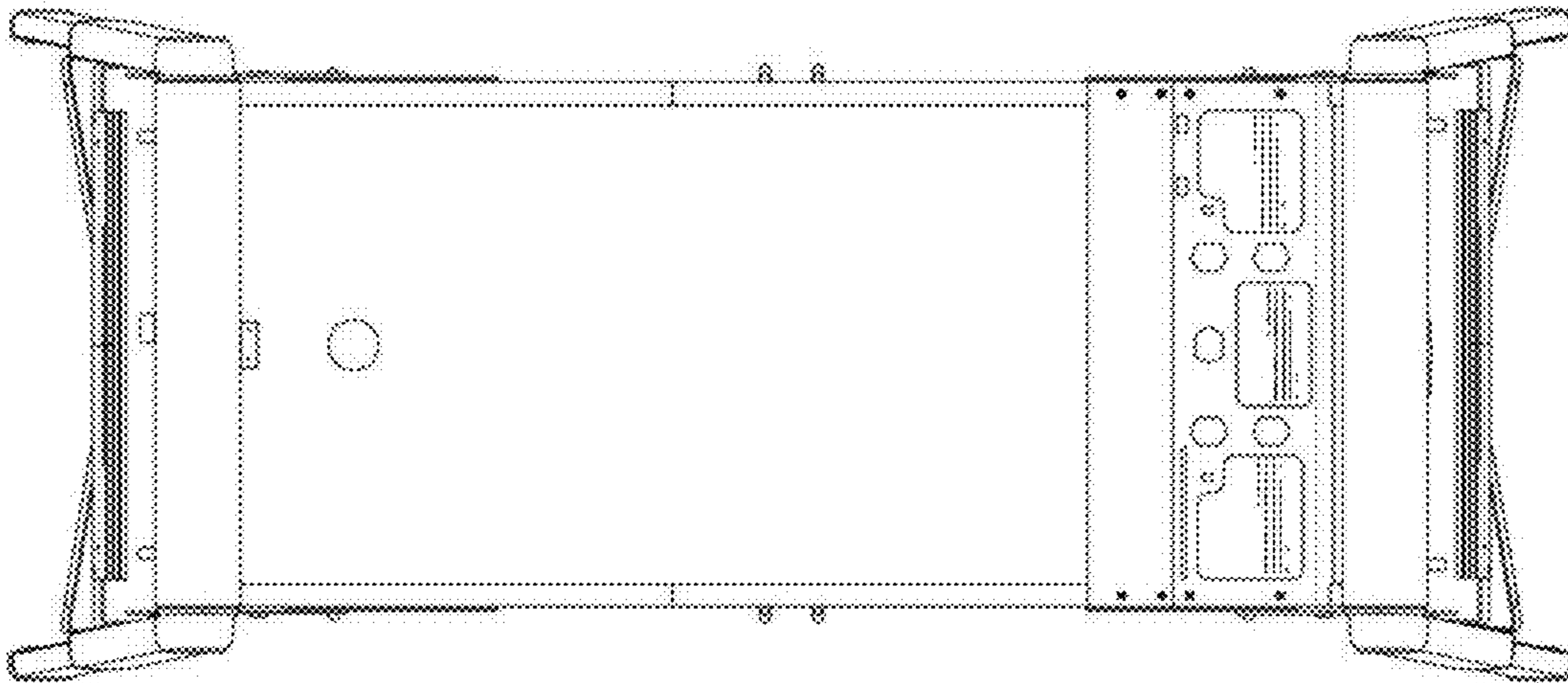


FIG.2

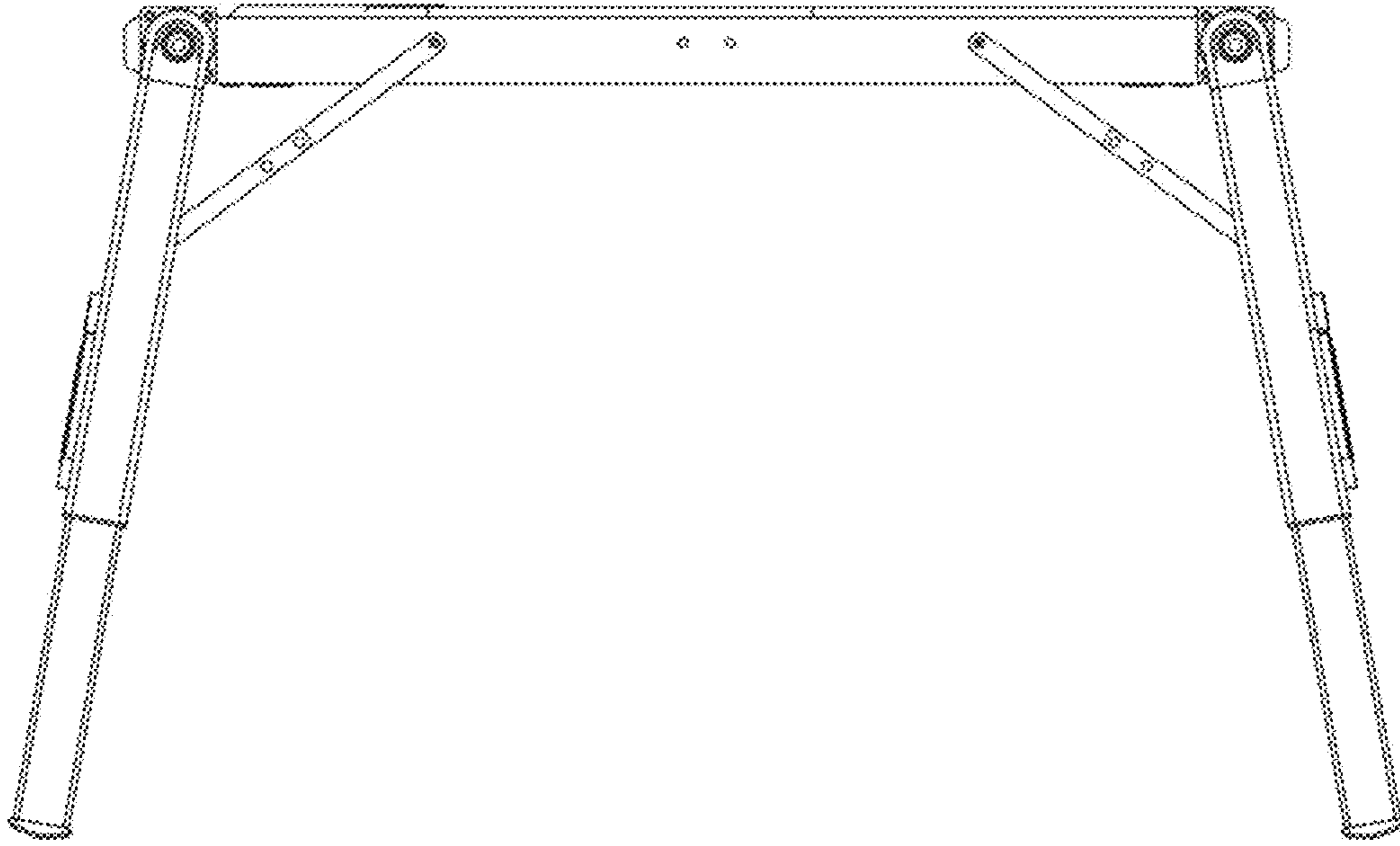


FIG.3

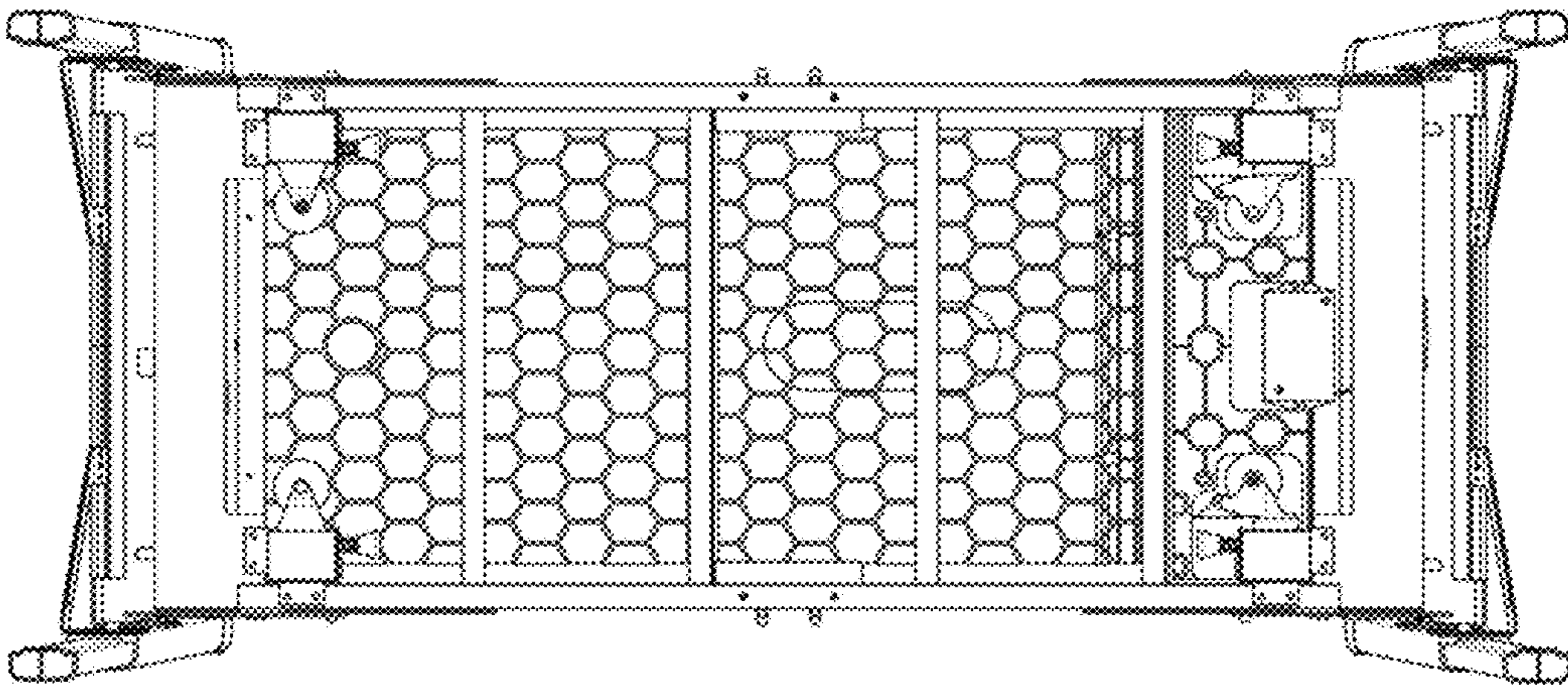


FIG.4

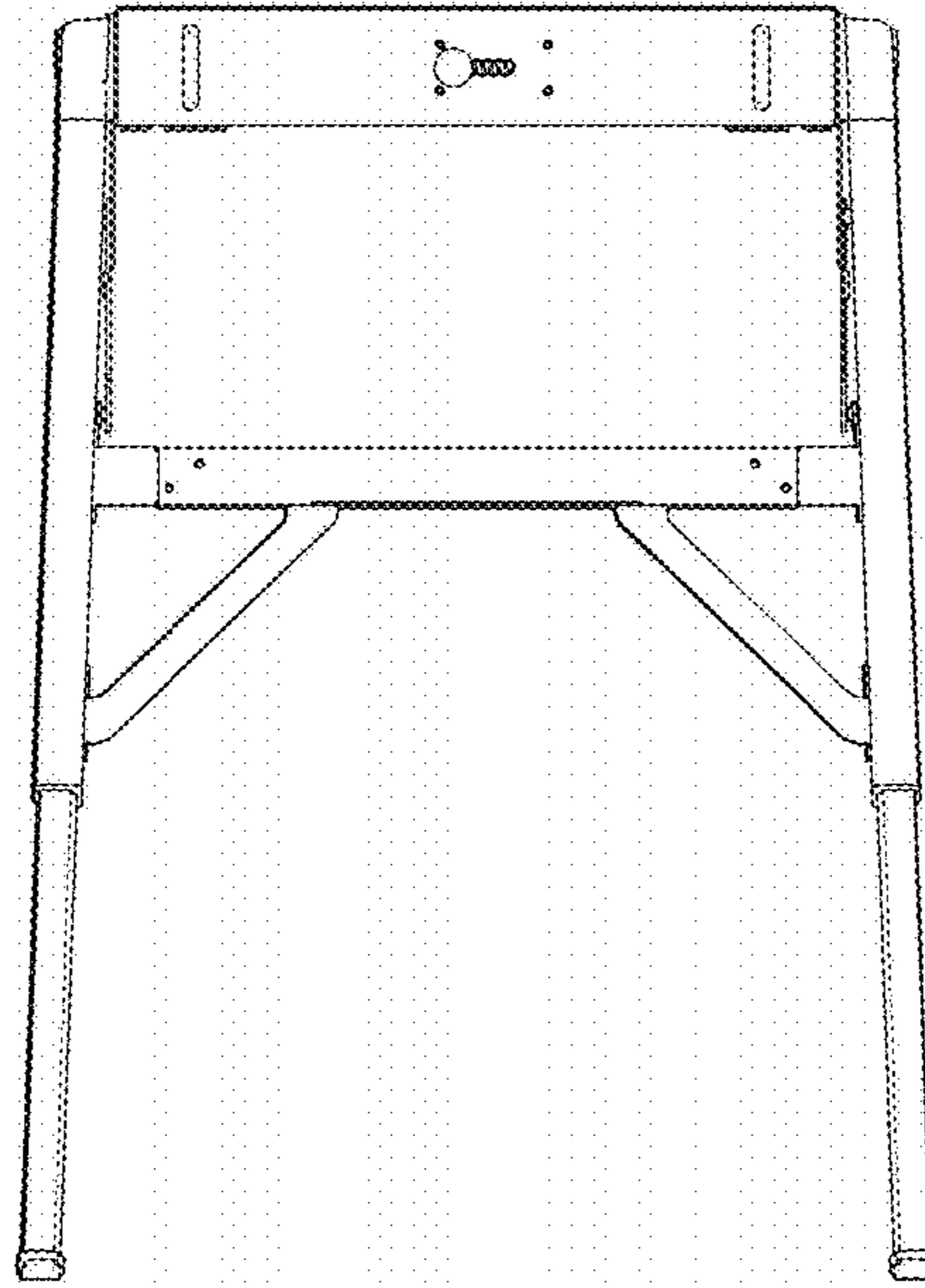


FIG. 5

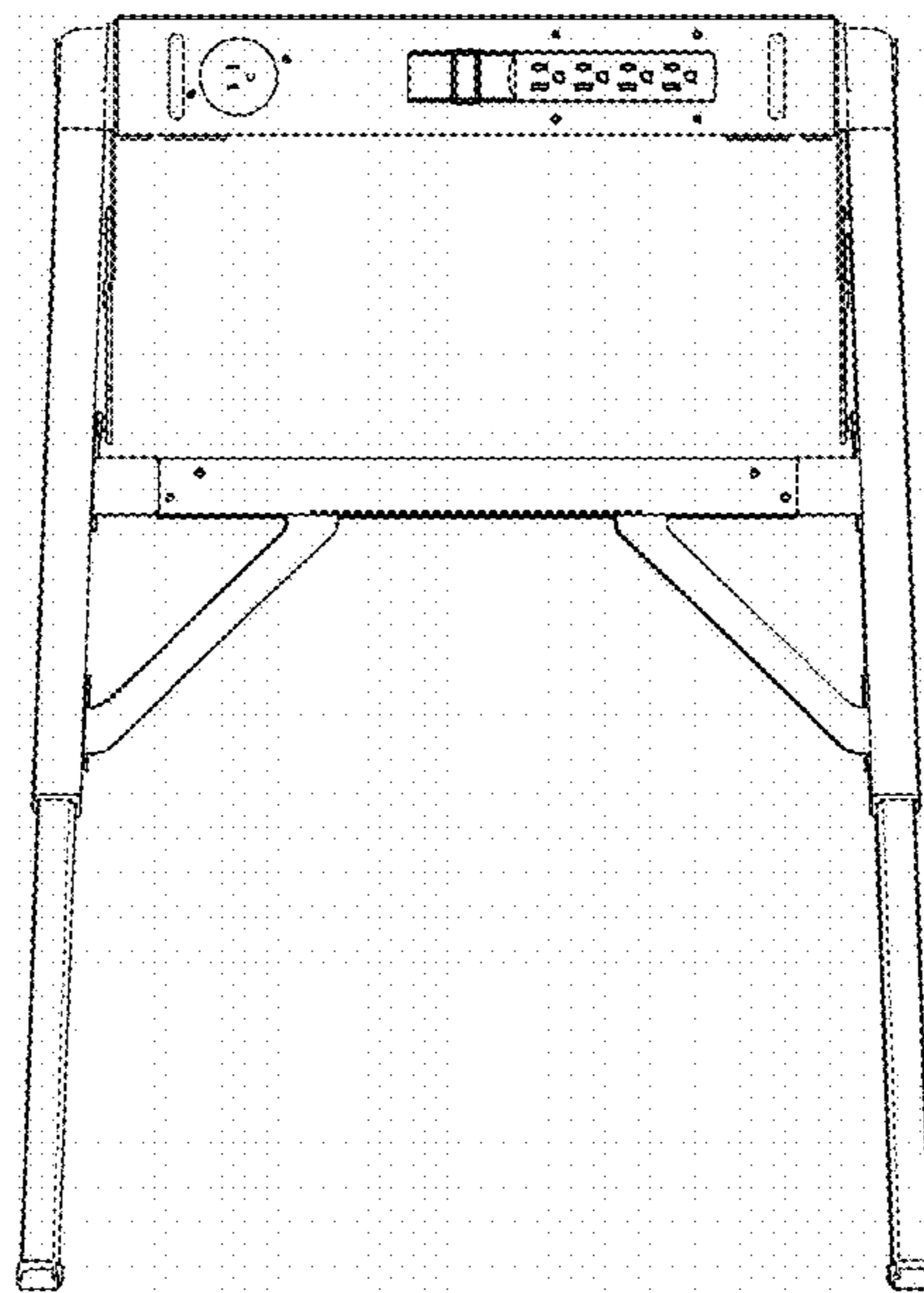


FIG. 6

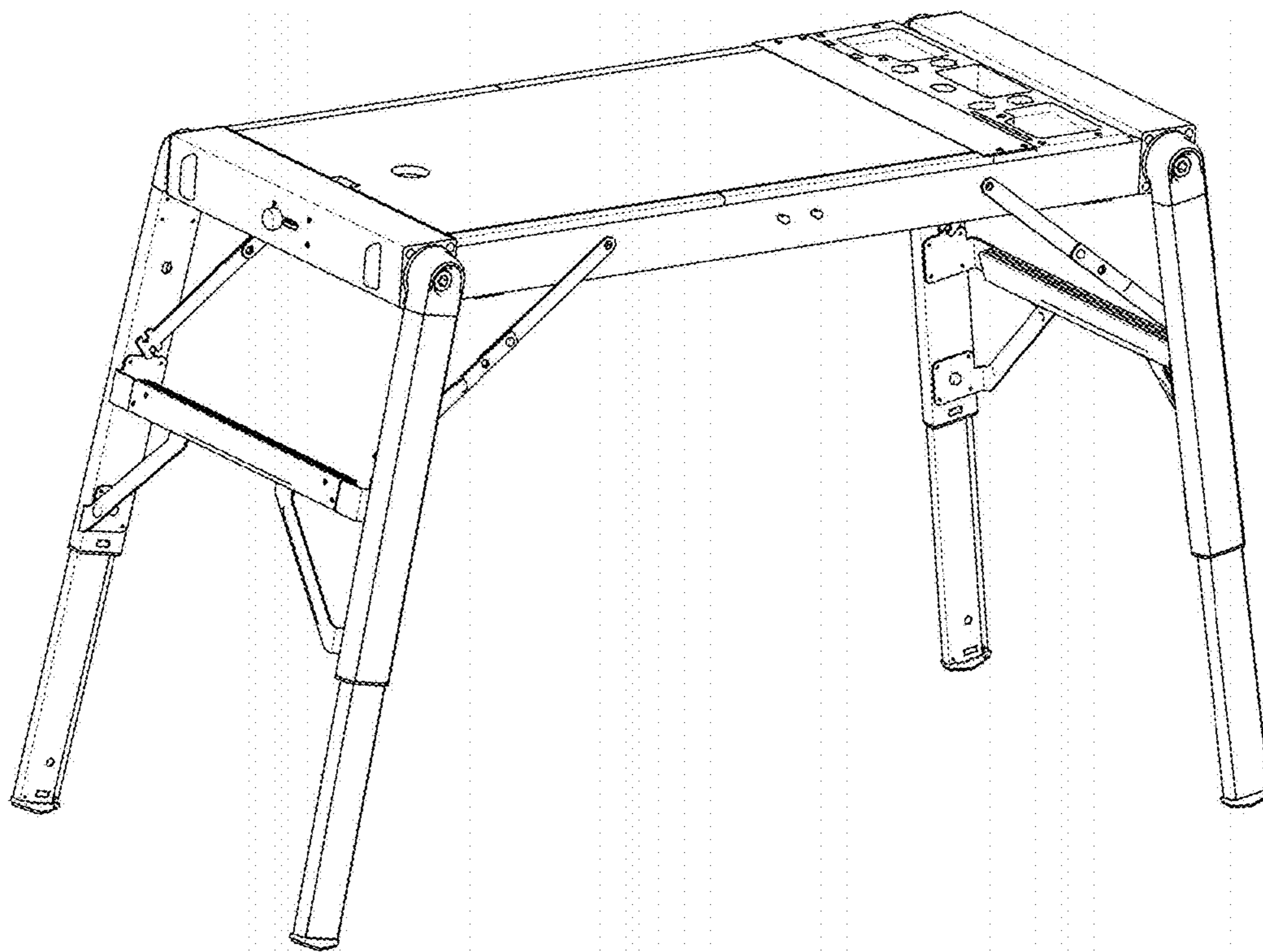


FIG. 7

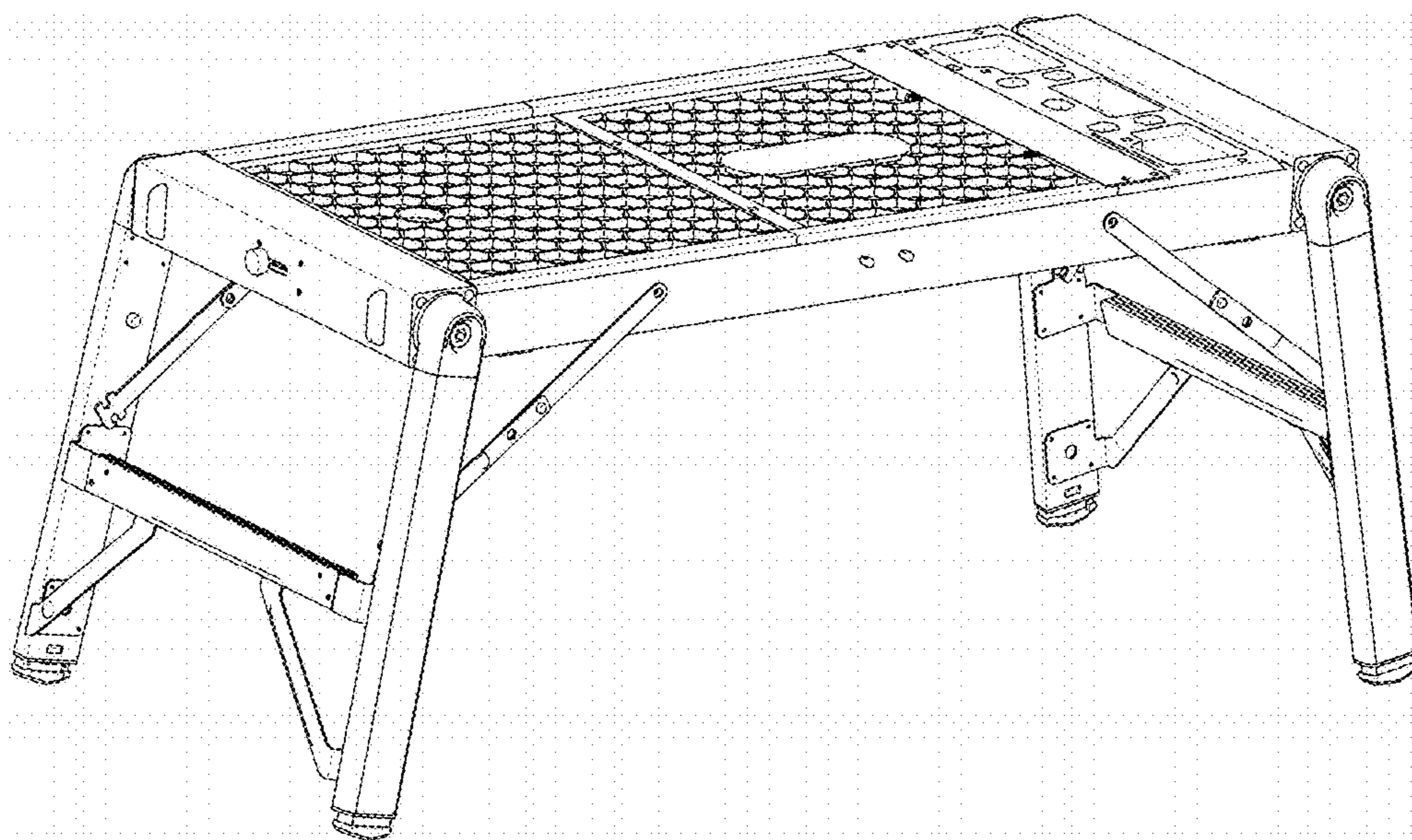


FIG. 8

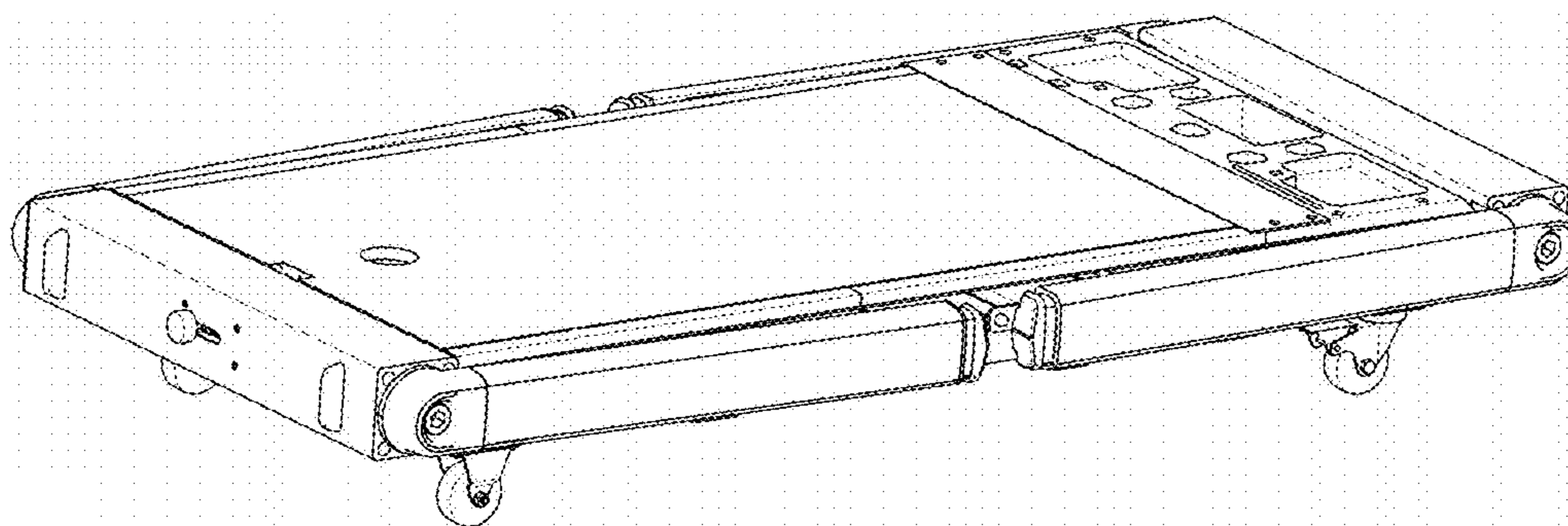


FIG. 9

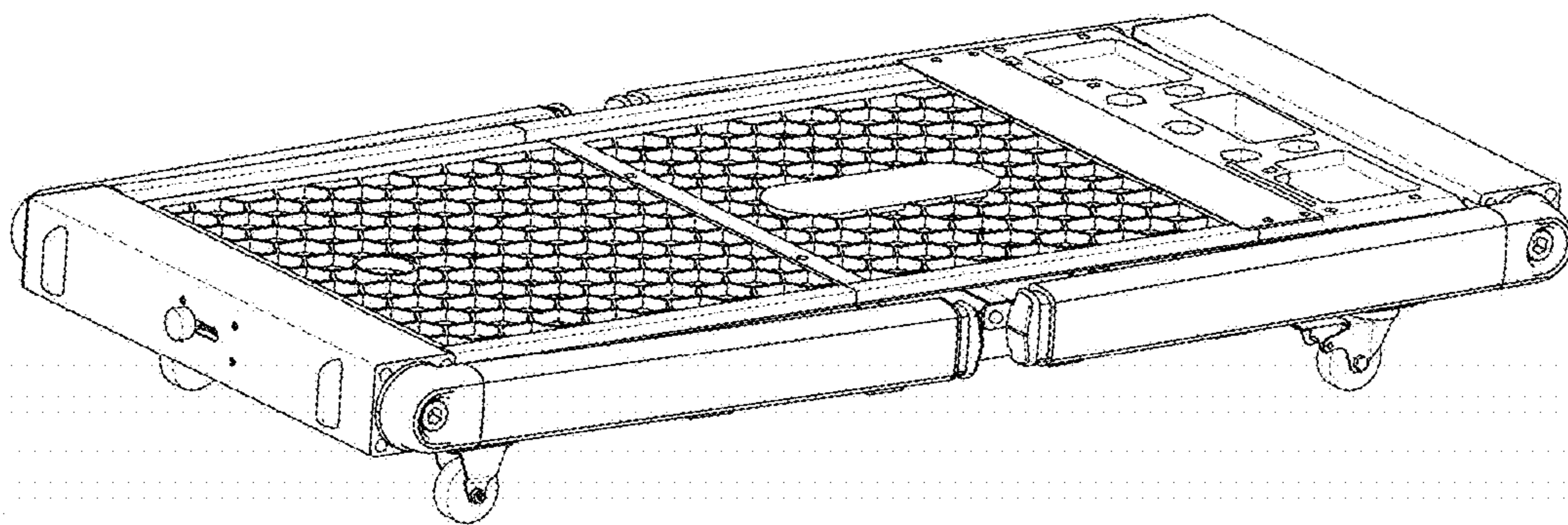


FIG. 10

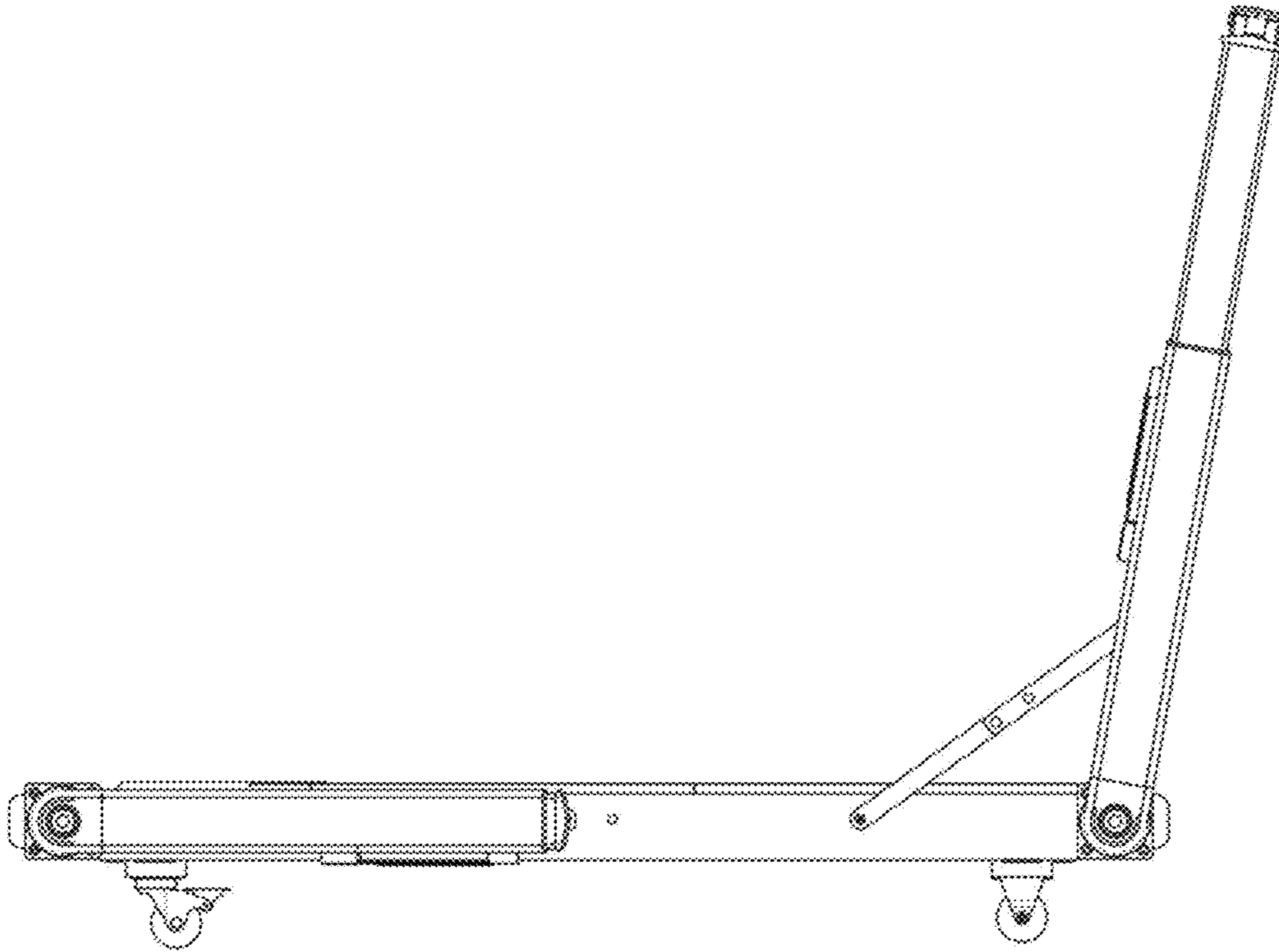


FIG.11

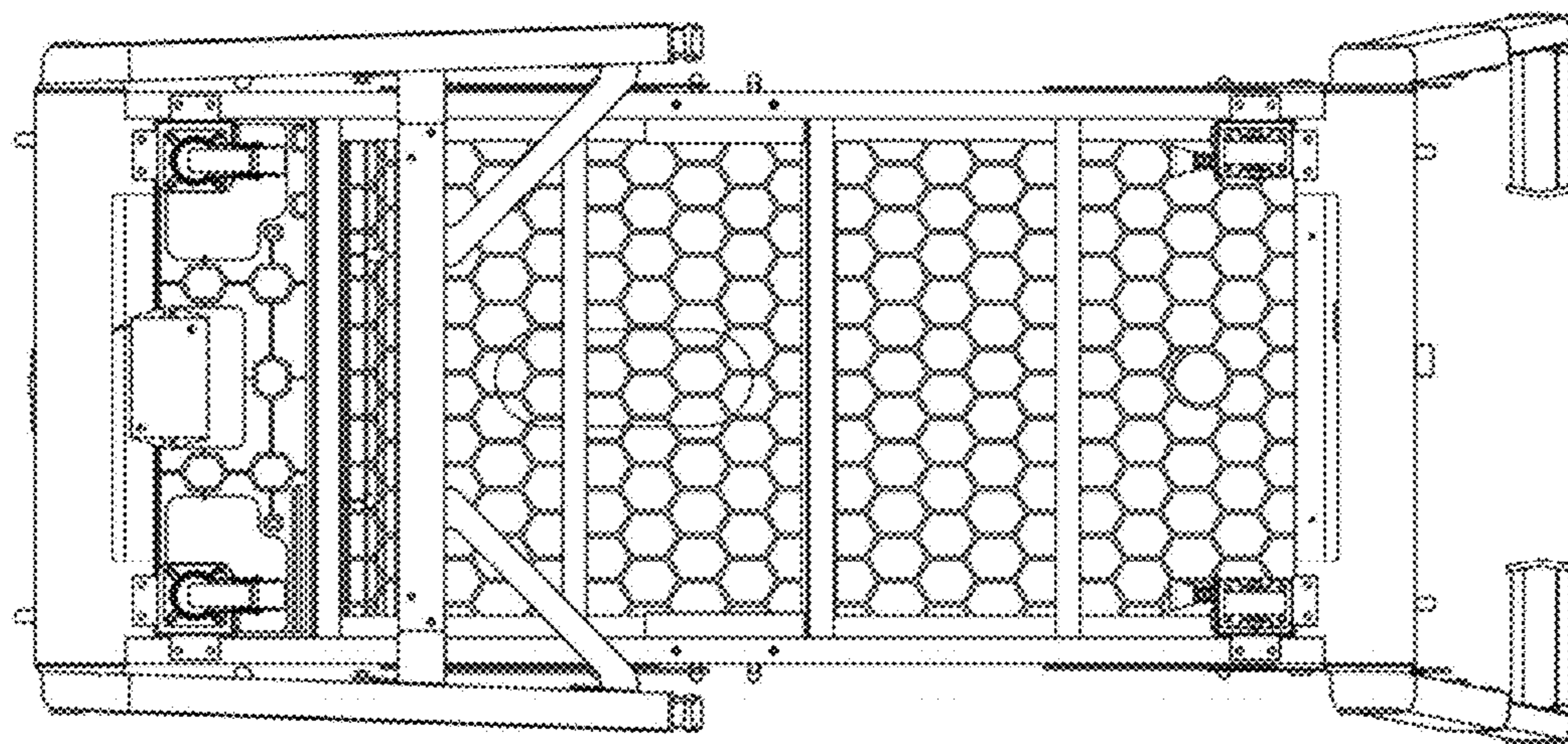


FIG.12

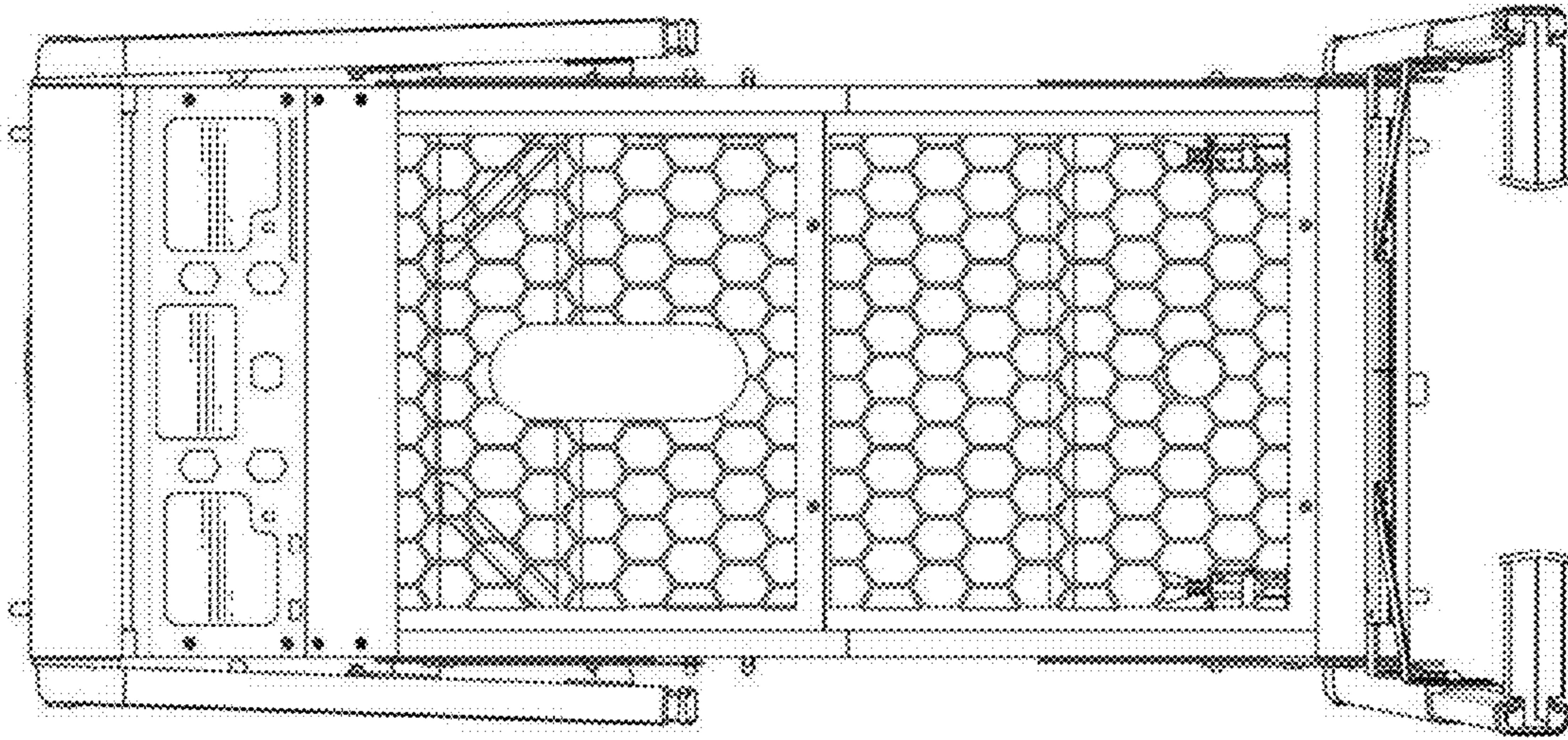


FIG.13

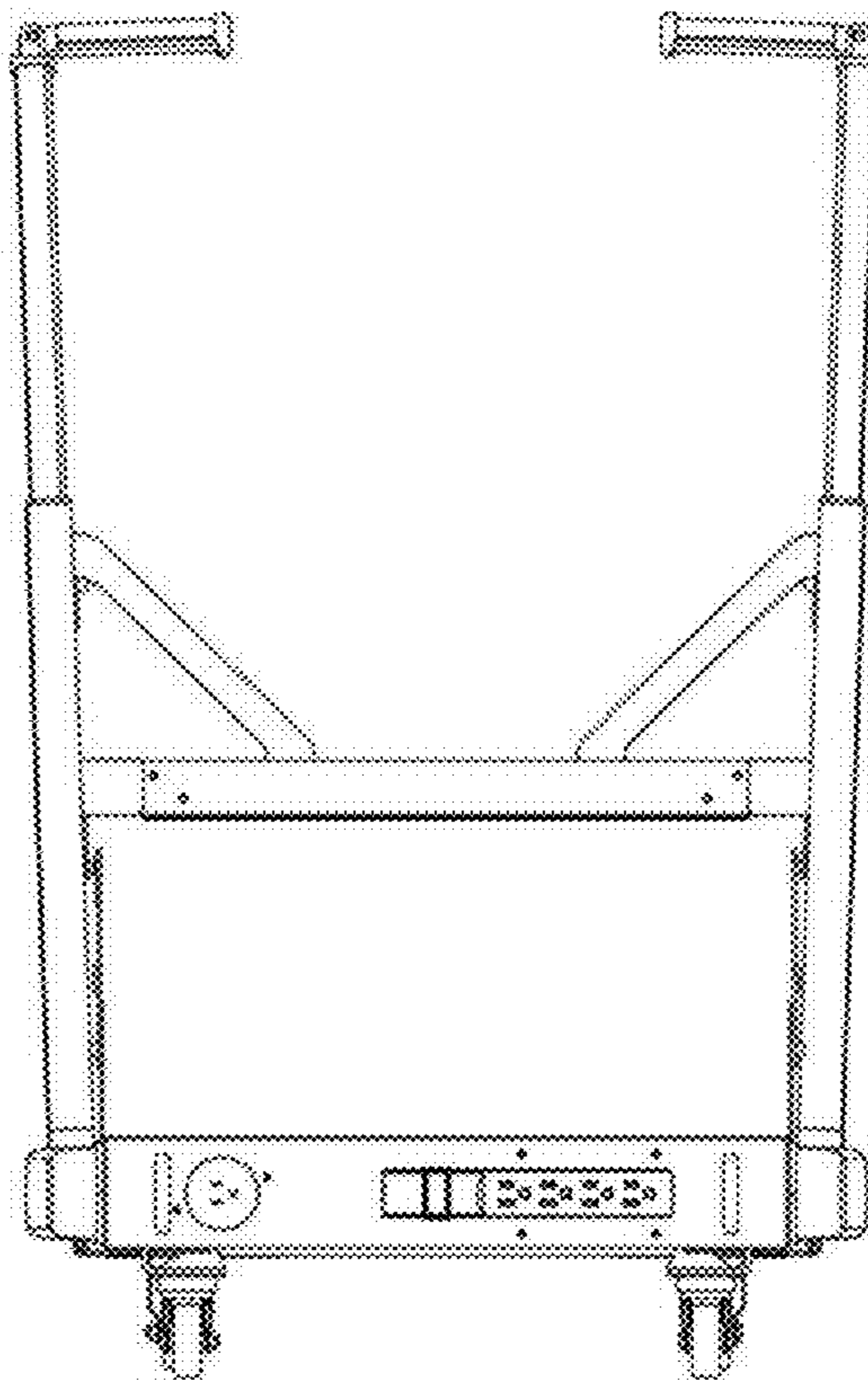


FIG.14

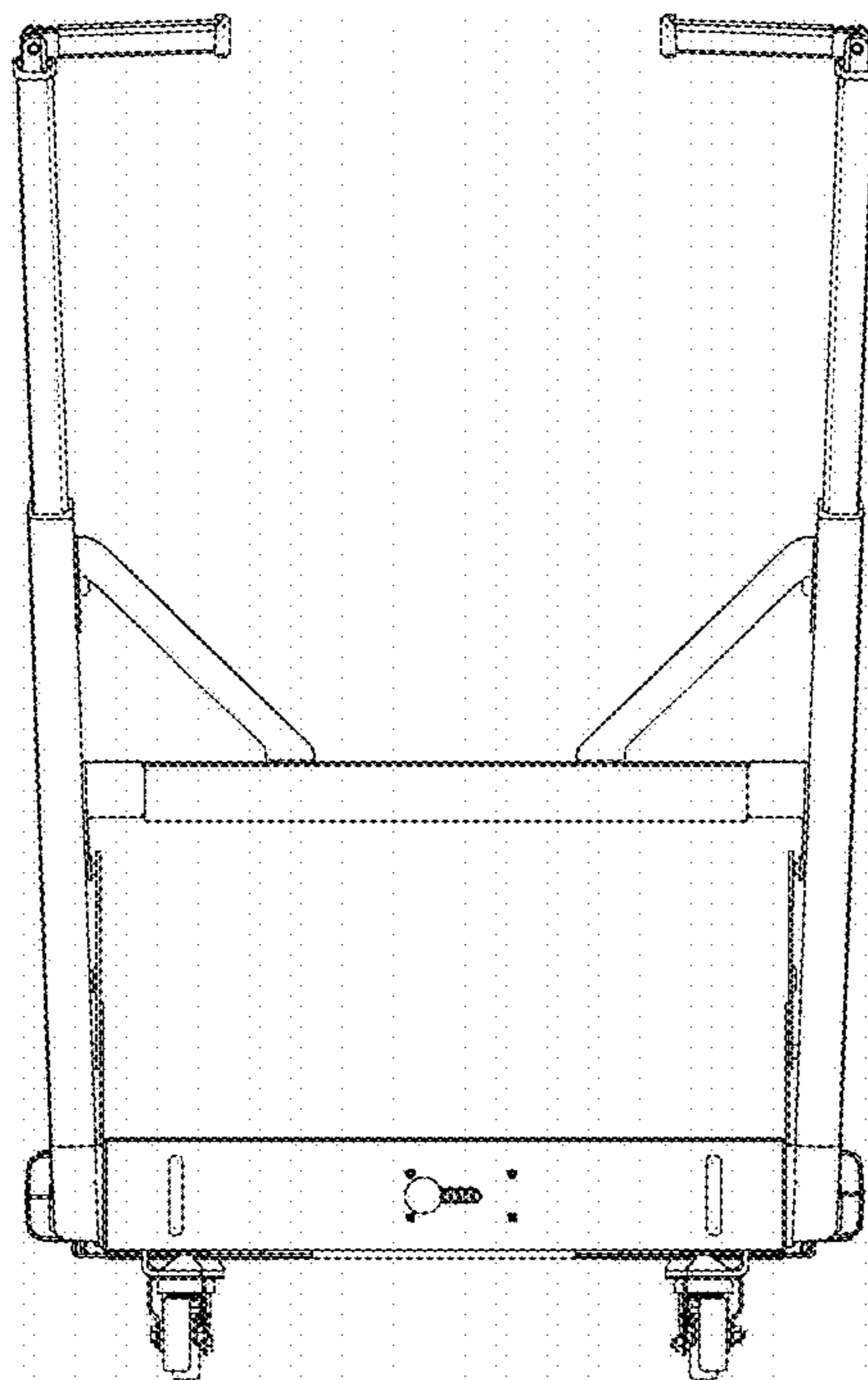


FIG. 15

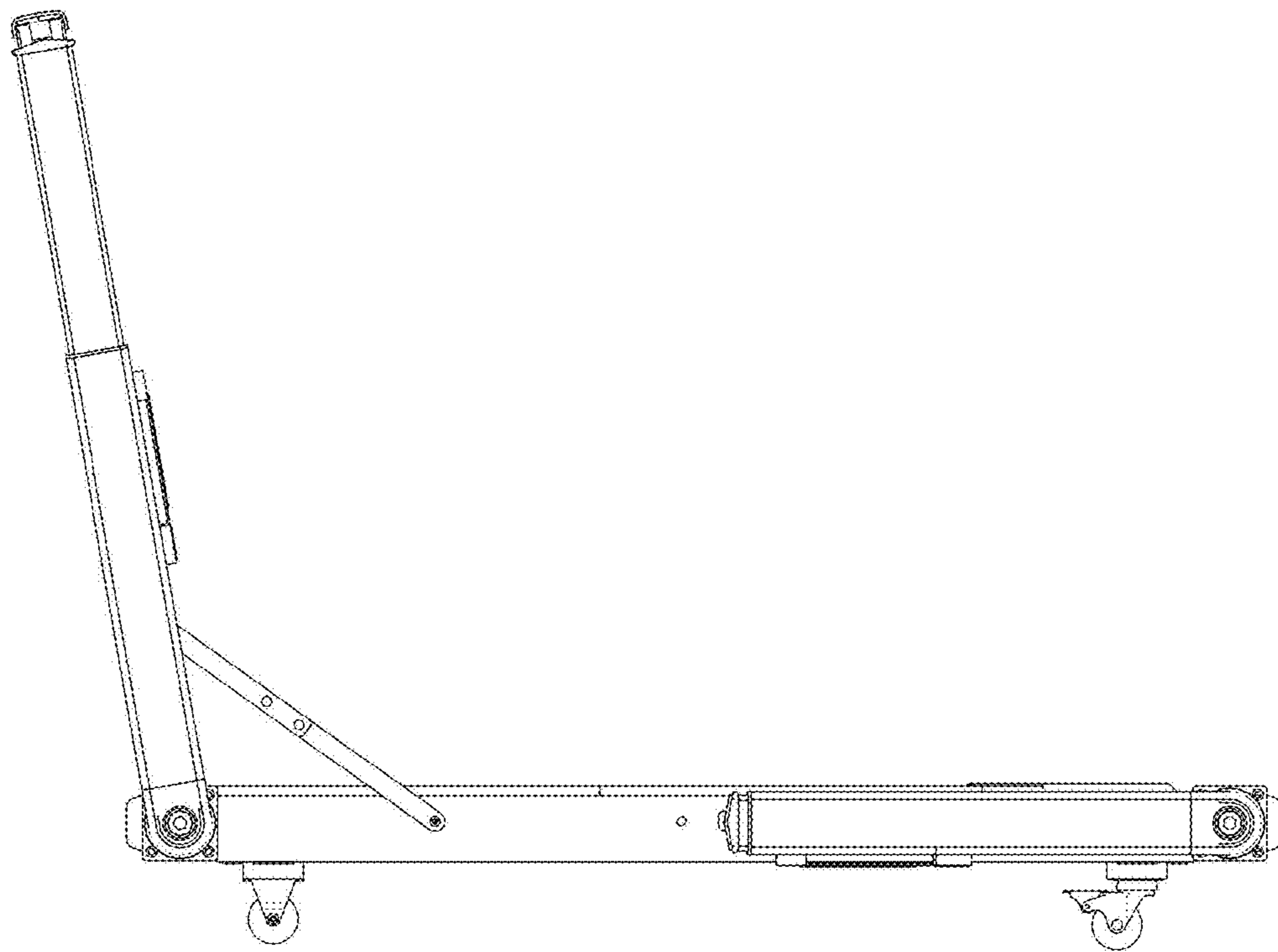


FIG. 16

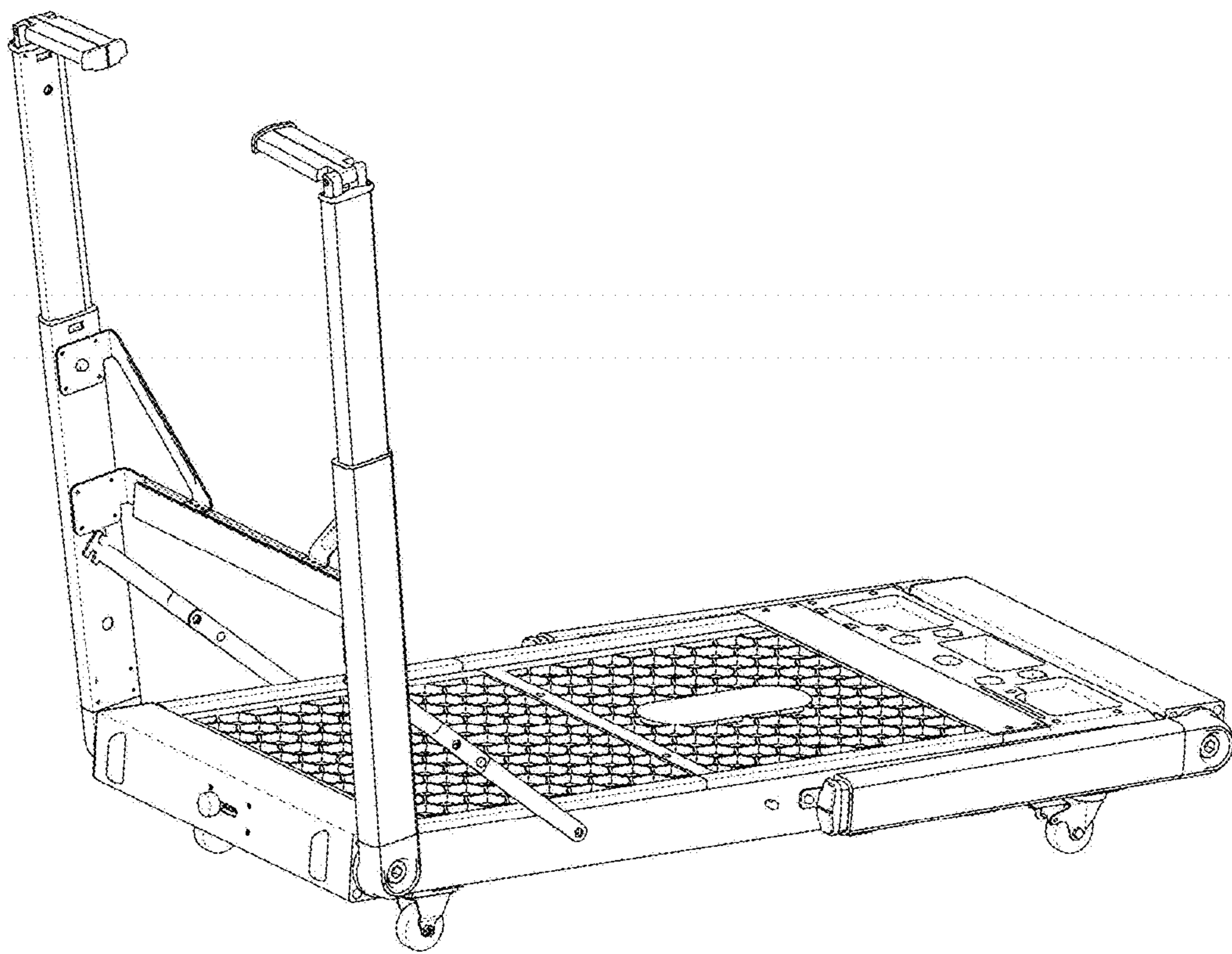


FIG. 17