



US00D781082S

(12) **United States Design Patent**
Domenech Grau

(10) **Patent No.:** **US D781,082 S**

(45) **Date of Patent:** **** Mar. 14, 2017**

(54) **SELF-SERVICE STATION WITH TWO SHELVES AND A HOLDER**

(71) Applicant: **Miguel Pujadas, S.A.**, Santa Coloma de Farners, Girona (ES)

(72) Inventor: **Daniel Domenech Grau**, Girona (ES)

(73) Assignee: **MIGUEL PUJADAS, S.A.**, Santa Cooma de Famers (Girona) (ES)

(**) Term: **15 Years**

(21) Appl. No.: **29/505,772**

(22) Filed: **Feb. 1, 2016**

(51) **LOC (10) Cl.** **06-06**

(52) **U.S. Cl.**
USPC **D6/675.3**

(58) **Field of Classification Search**
USPC D6/672, 673, 675, 675.1, 675.3;
D7/601-602
CPC ... A47F 2003/066; A47F 5/0018; A47F 5/106
See application file for complete search history.

(56) **References Cited**

U.S. PATENT DOCUMENTS

D527,558 S * 9/2006 Ng D6/678
D697,344 S * 1/2014 Kerian D6/675.1

D704,943 S * 5/2014 Saba D6/349
D712,181 S * 9/2014 Martell D6/675.1
D764,843 S * 8/2016 Peden D6/675.3
D768,418 S * 10/2016 Sock D6/690
2008/0237319 A1 * 10/2008 Hensey A47B 3/00
229/103

* cited by examiner

Primary Examiner — Kelley Donnelly

(74) *Attorney, Agent, or Firm* — Robert J. Hess; Hess Patent Law Firm

(57) **CLAIM**

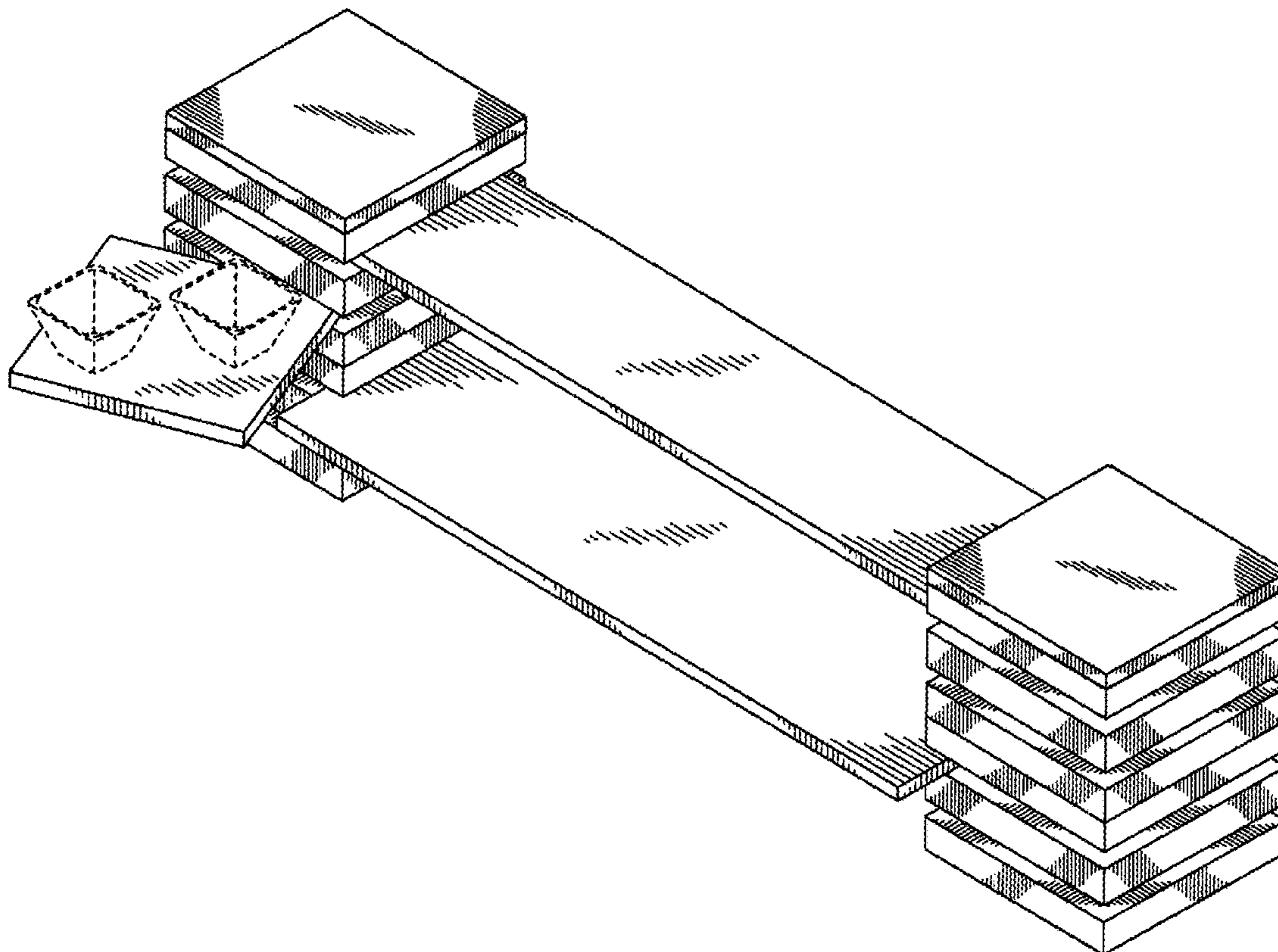
We claim an ornamental design for a self-service station with two shelves and a holder, as shown and described.

DESCRIPTION

FIG. 1 is an isometric view of a self-service station with two shelves and a holder in accordance with our invention; FIG. 2 is a front plan view thereof; FIG. 3 is a top plan view thereof; FIG. 4 is a rear plan view thereof; FIG. 5 is a bottom plan view thereof; FIG. 6 is a right side plan view thereof; and, FIG. 7 is a left side plan view thereof.

The broken lines showing is included for the purpose of illustrating environment and forms no part of the claimed design.

1 Claim, 6 Drawing Sheets



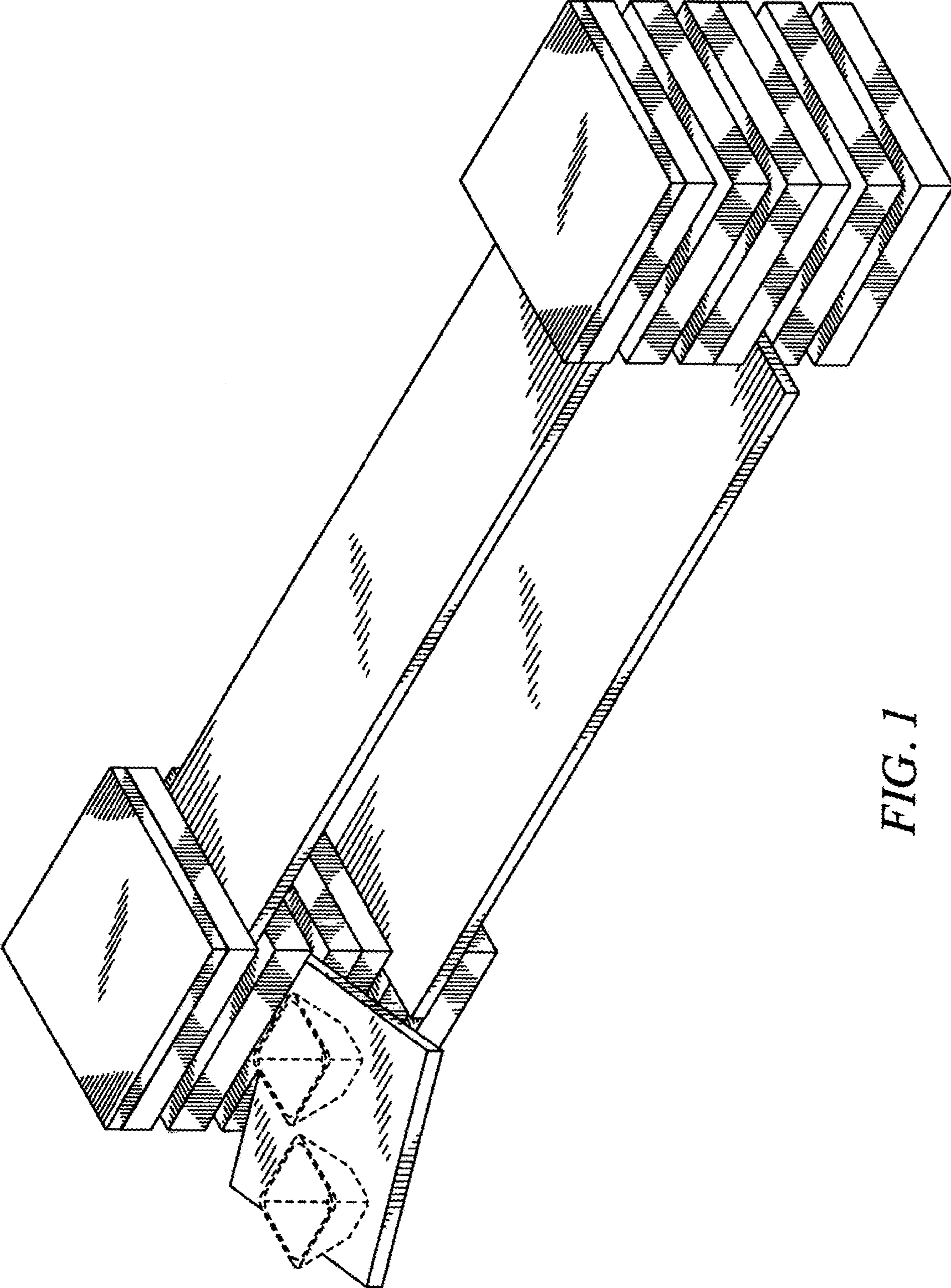


FIG. 1

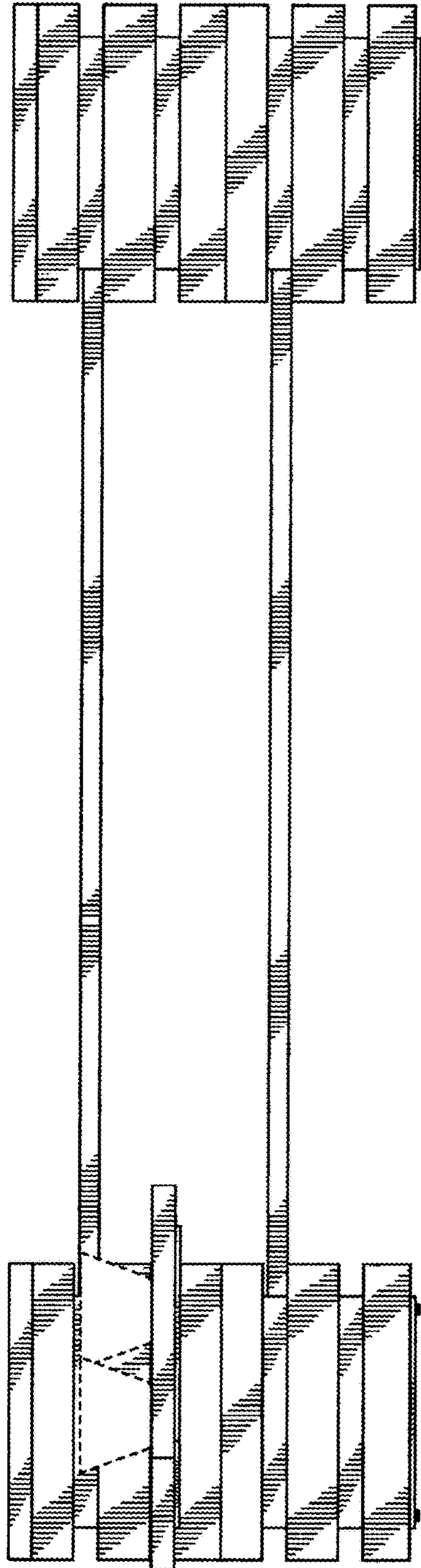


FIG. 2

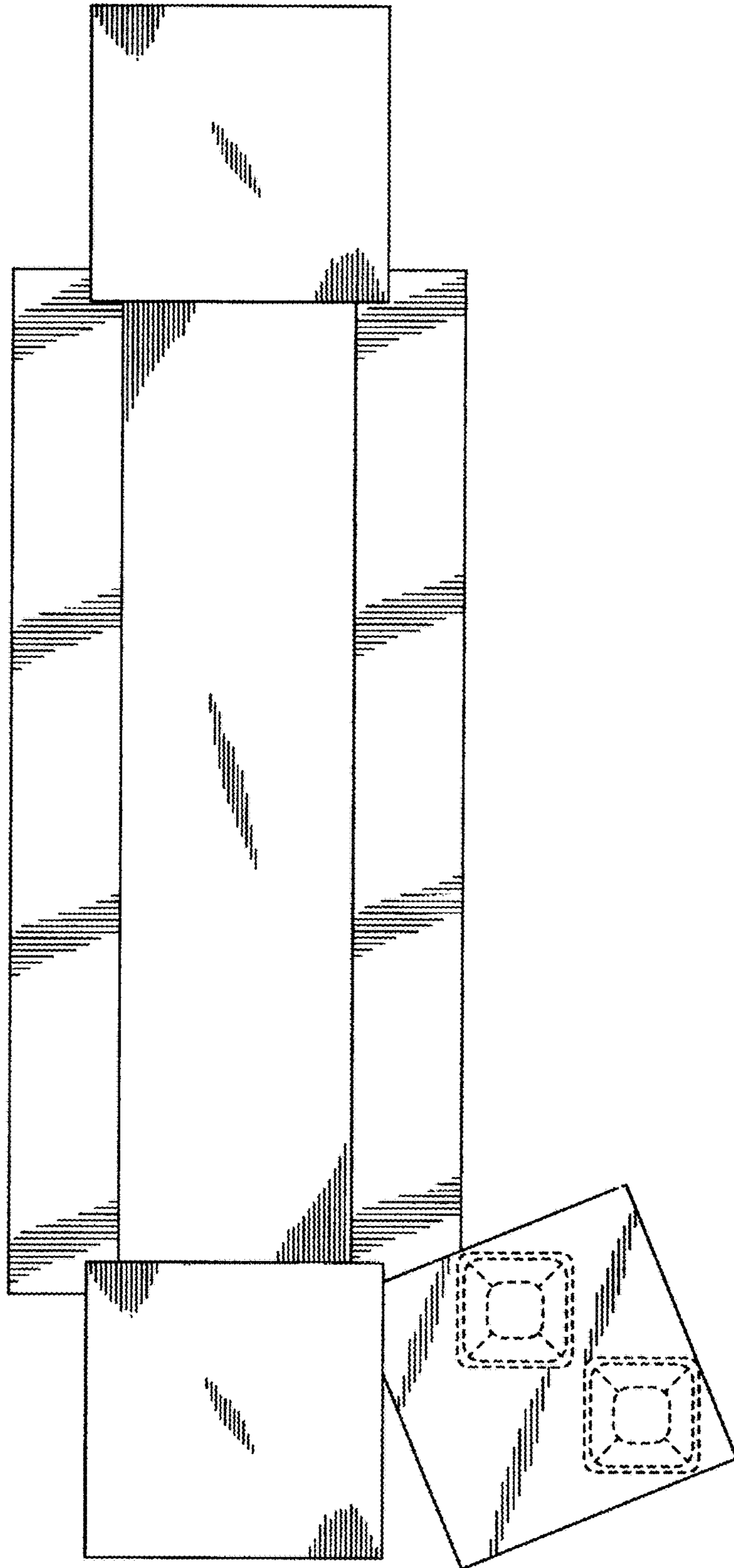


FIG. 3

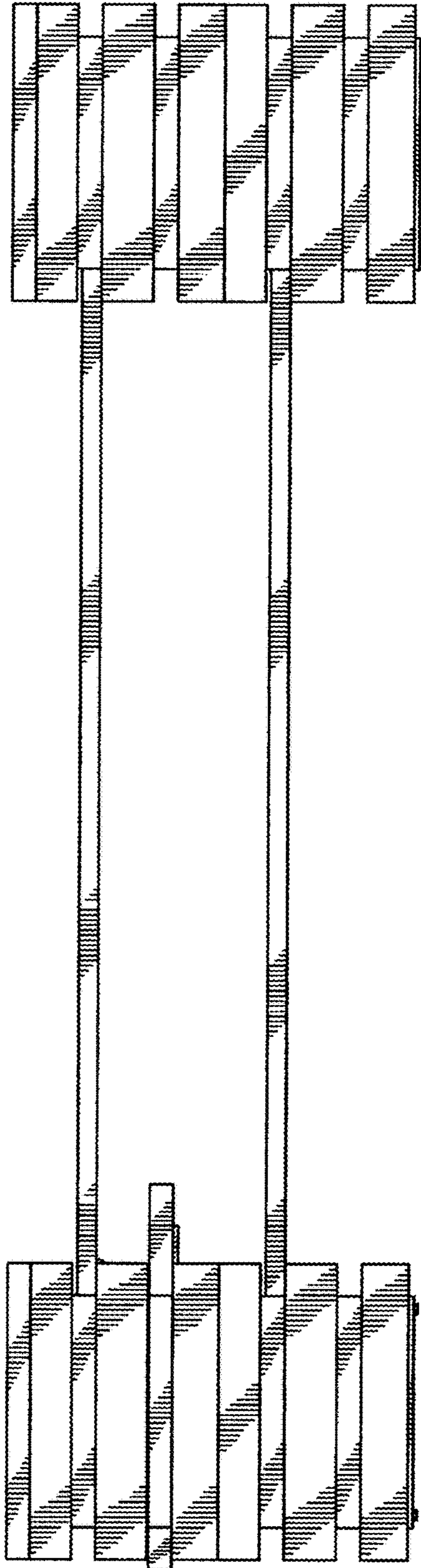


FIG. 4

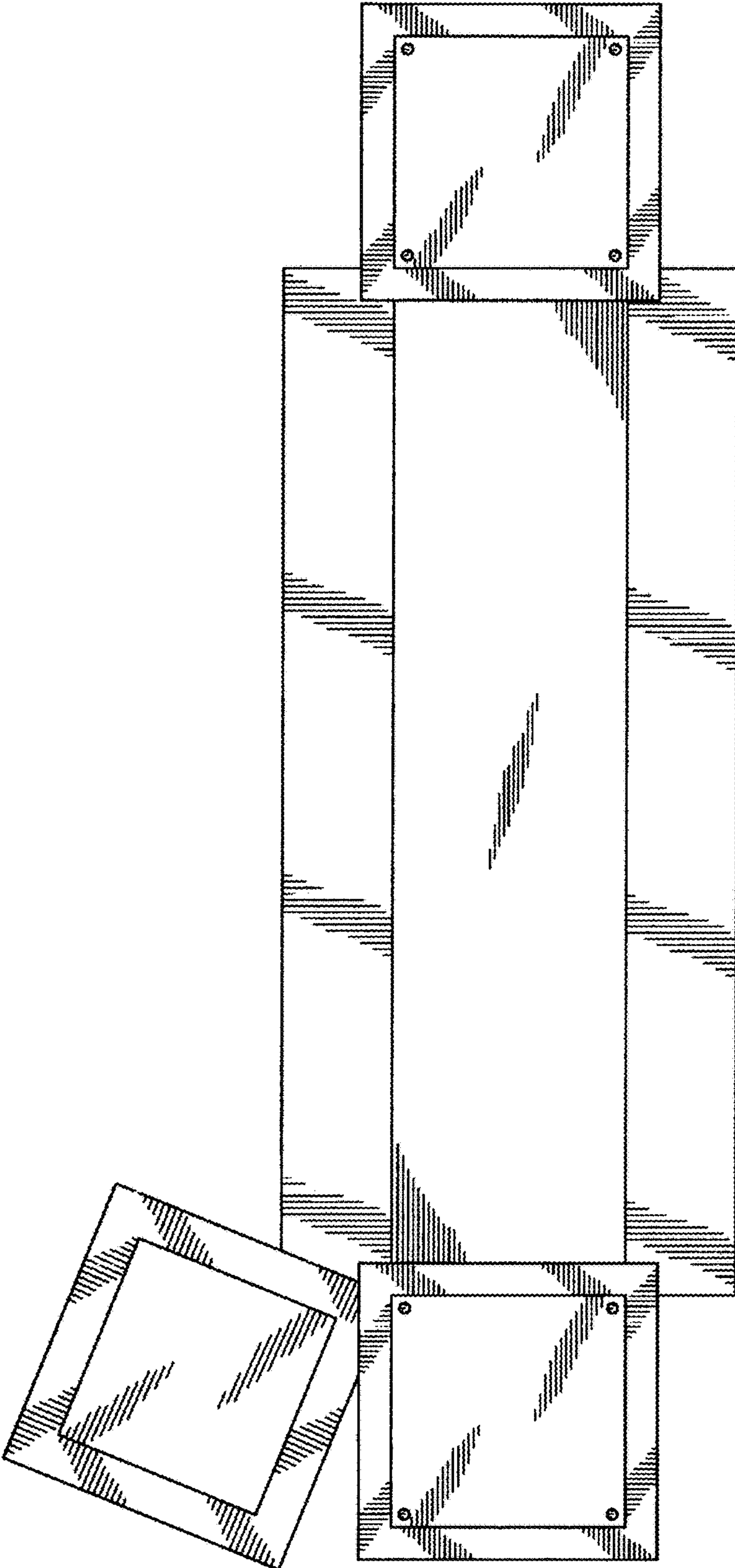


FIG. 5

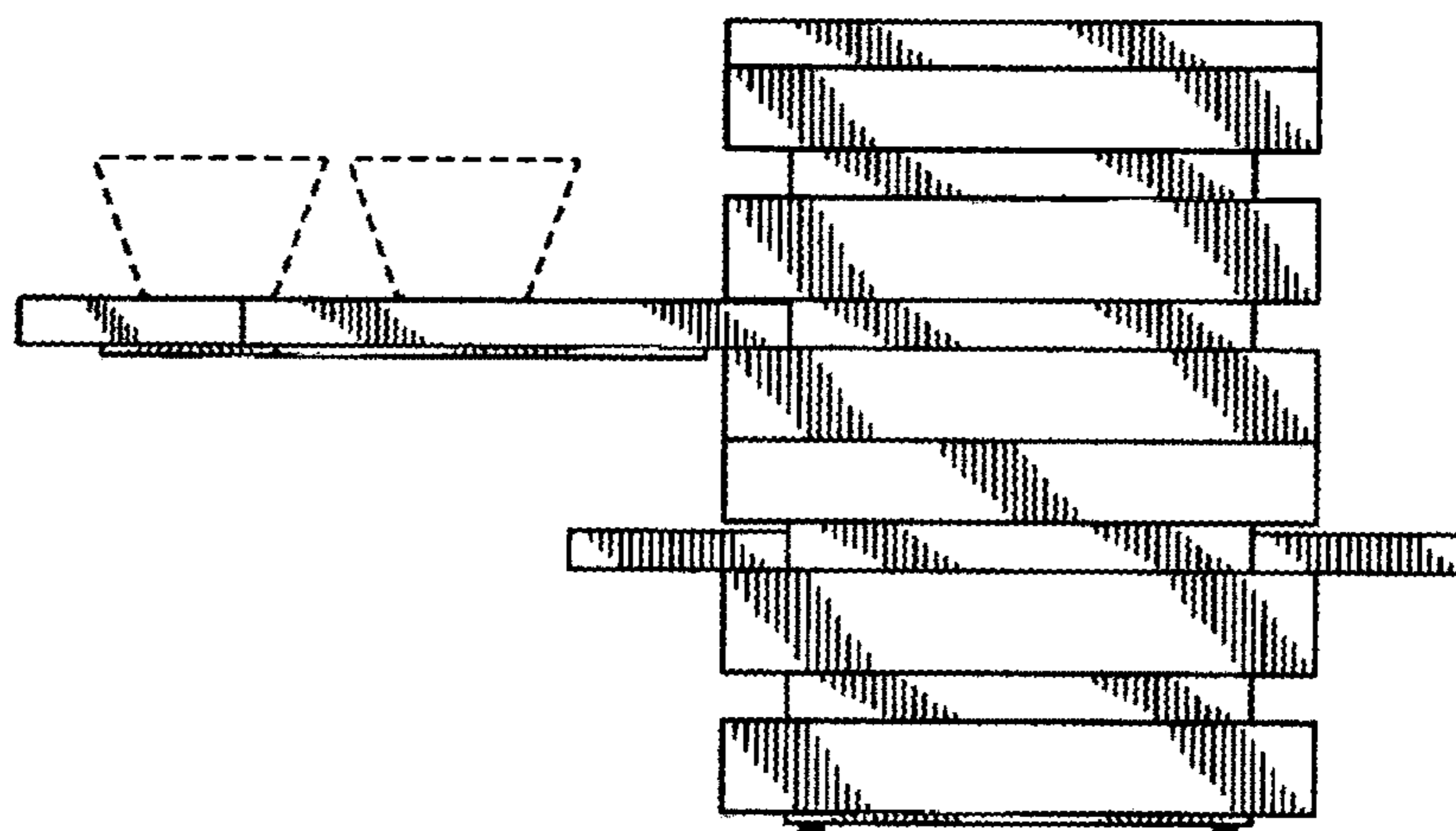


FIG. 6

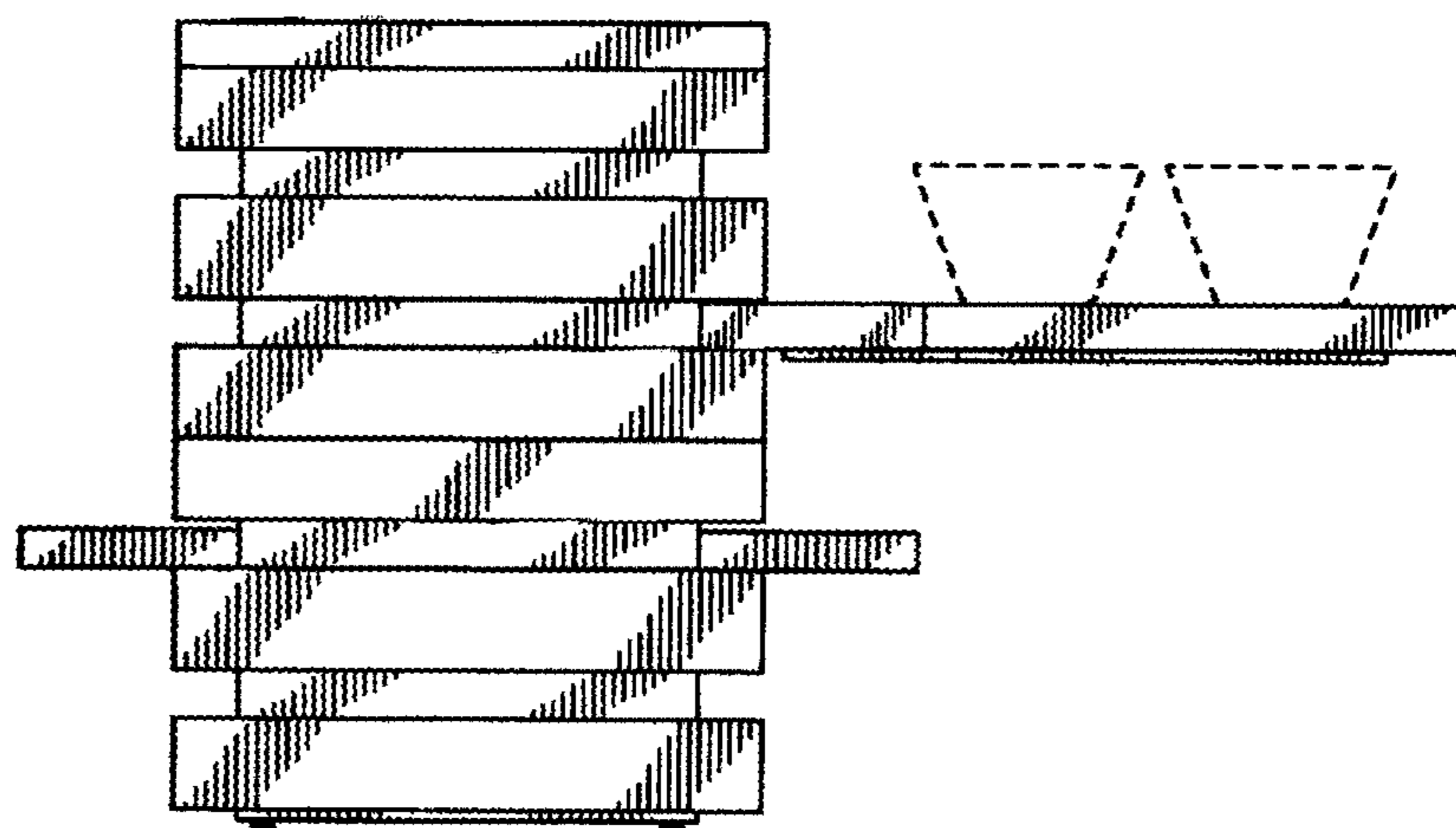


FIG. 7