



US00D781080S

(12) **United States Design Patent**
Jordan et al.

(10) **Patent No.:** **US D781,080 S**
(45) **Date of Patent:** **** Mar. 14, 2017**

- (54) **MATERIAL CART**
- (71) Applicants: **David S. Jordan**, Knoxville, TN (US);
Michael C. Jordan, Knoxville, TN (US)
- (72) Inventors: **David S. Jordan**, Knoxville, TN (US);
Michael C. Jordan, Knoxville, TN (US)
- (73) Assignee: **iTool Equipment Holding LLC**, Oak Ridge, TN (US)

D720,164 S *	12/2014	Parrish	D6/675.5
D723,843 S *	3/2015	Lai	D6/675.1
D730,089 S *	5/2015	Carbone	D6/675.1
D730,609 S *	5/2015	Miller	D34/17
D758,767 S *	6/2016	Andersson	D6/675.1
D759,997 S *	6/2016	Ruiz	D6/675.1

* cited by examiner

Primary Examiner — Kelley Donnelly
(74) *Attorney, Agent, or Firm* — Michael E. McKee

(**) Term: **15 Years**

(21) Appl. No.: **29/620,068**

(22) Filed: **Jun. 16, 2016**

Related U.S. Application Data

(63) Continuation-in-part of application No. 29/474,078, filed on May 21, 2014.

(51) **LOC (10) Cl.** **06-06**

(52) **U.S. Cl.**
USPC **D6/675.1**

(58) **Field of Classification Search**
USPC D6/672–673, 675–675.1; D34/12, 14, 17, D34/21, 23, 26
CPC A47B 63/04; A47B 57/00; A47B 61/02
See application file for complete search history.

(56) **References Cited**

U.S. PATENT DOCUMENTS

D480,350 S *	10/2003	Ho	D12/408
D499,672 S *	12/2004	Thompson	D12/115

(57) **CLAIM**

The ornamental design for a material cart, as shown and described.

DESCRIPTION

FIG. 1 is a perspective view of our material cart showing our new design and wherein all of the shelves of the cart are pivoted to a lowered, or substantially horizontal, position; FIG. 2 is a front view thereof, the back view being a mirror image;

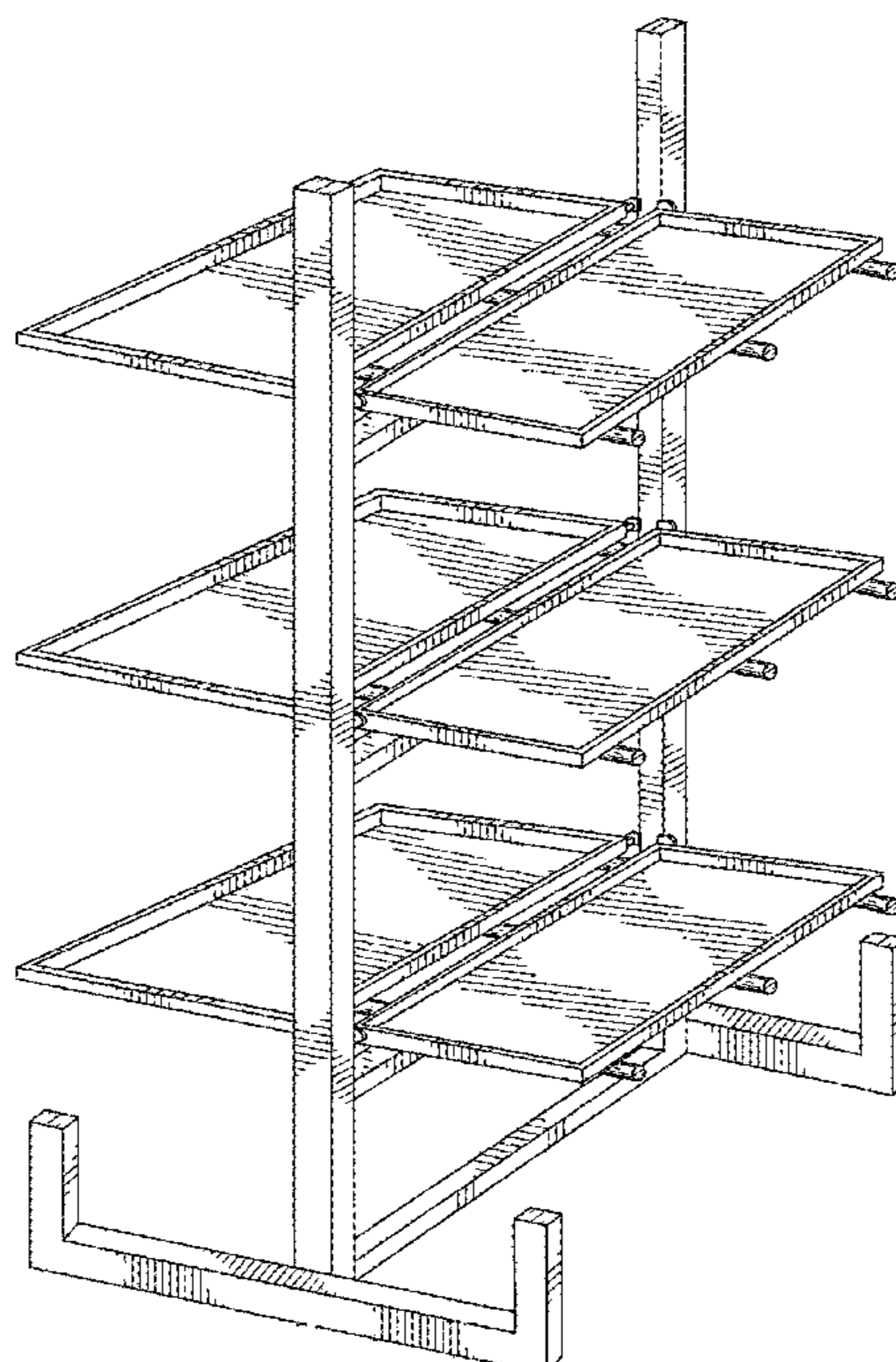
FIG. 3 is right side view thereof, the left side view being a mirror image;

FIG. 4 is a top view thereof;

FIG. 5 is a perspective view of our material cart showing our new design and wherein all of the shelves of the cart are pivoted to a raised, or substantially vertical, position; FIG. 6 is a front view thereof; the back view being a mirror image; and,

FIG. 7 is a right side view thereof, the left side view being a mirror image; and the bottom view thereof is plain and unornamental.

1 Claim, 7 Drawing Sheets



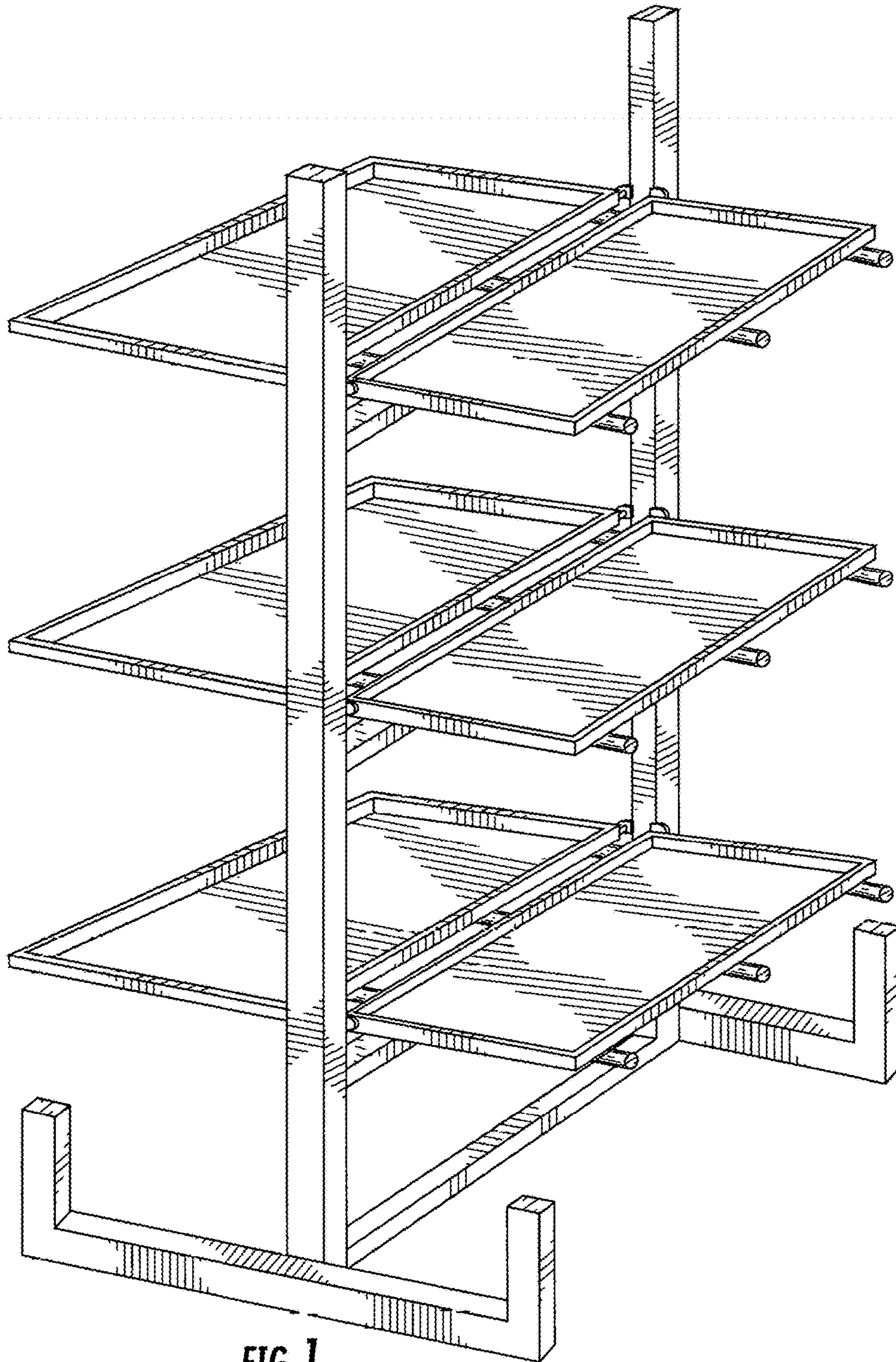


FIG. 1

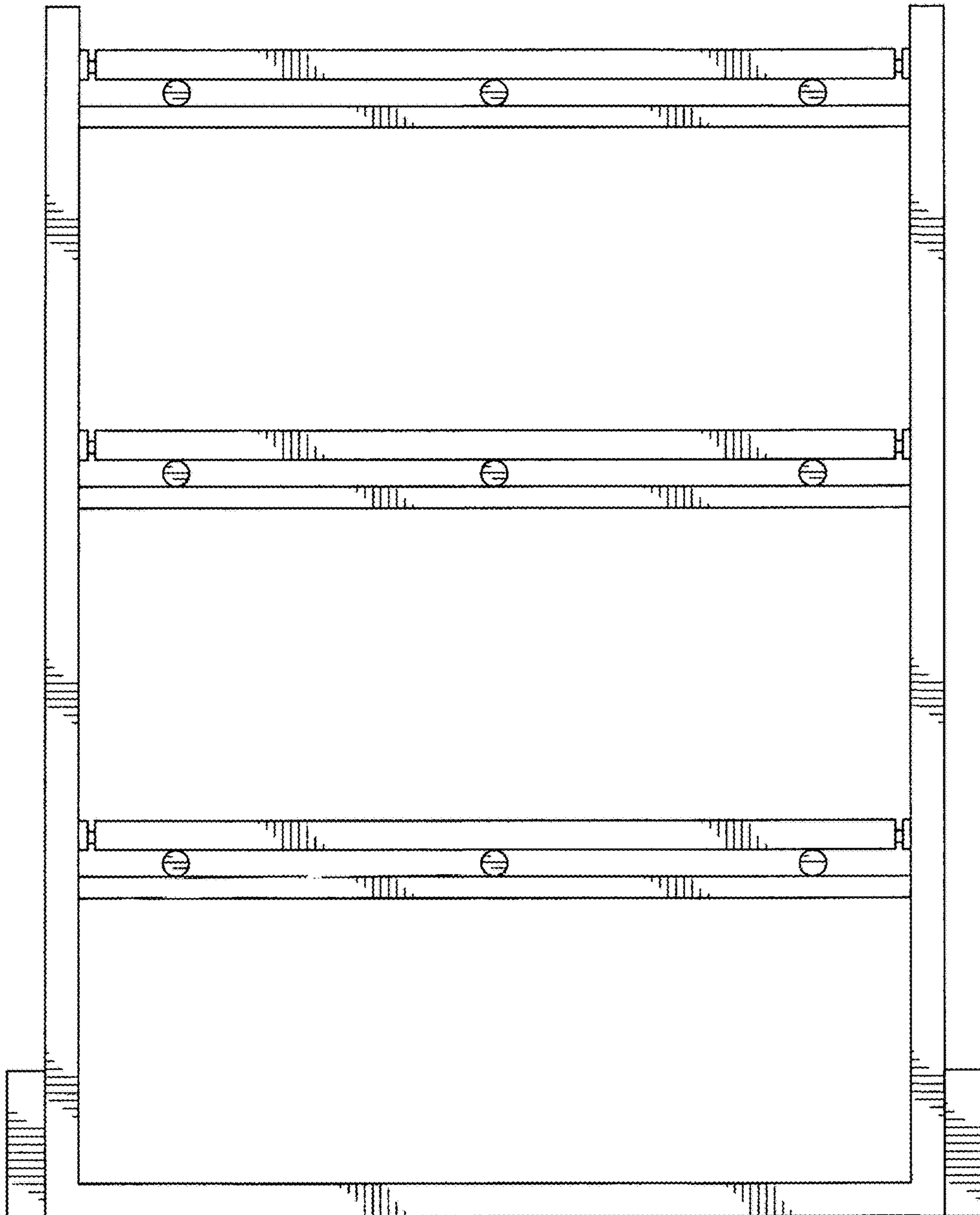


FIG. 2

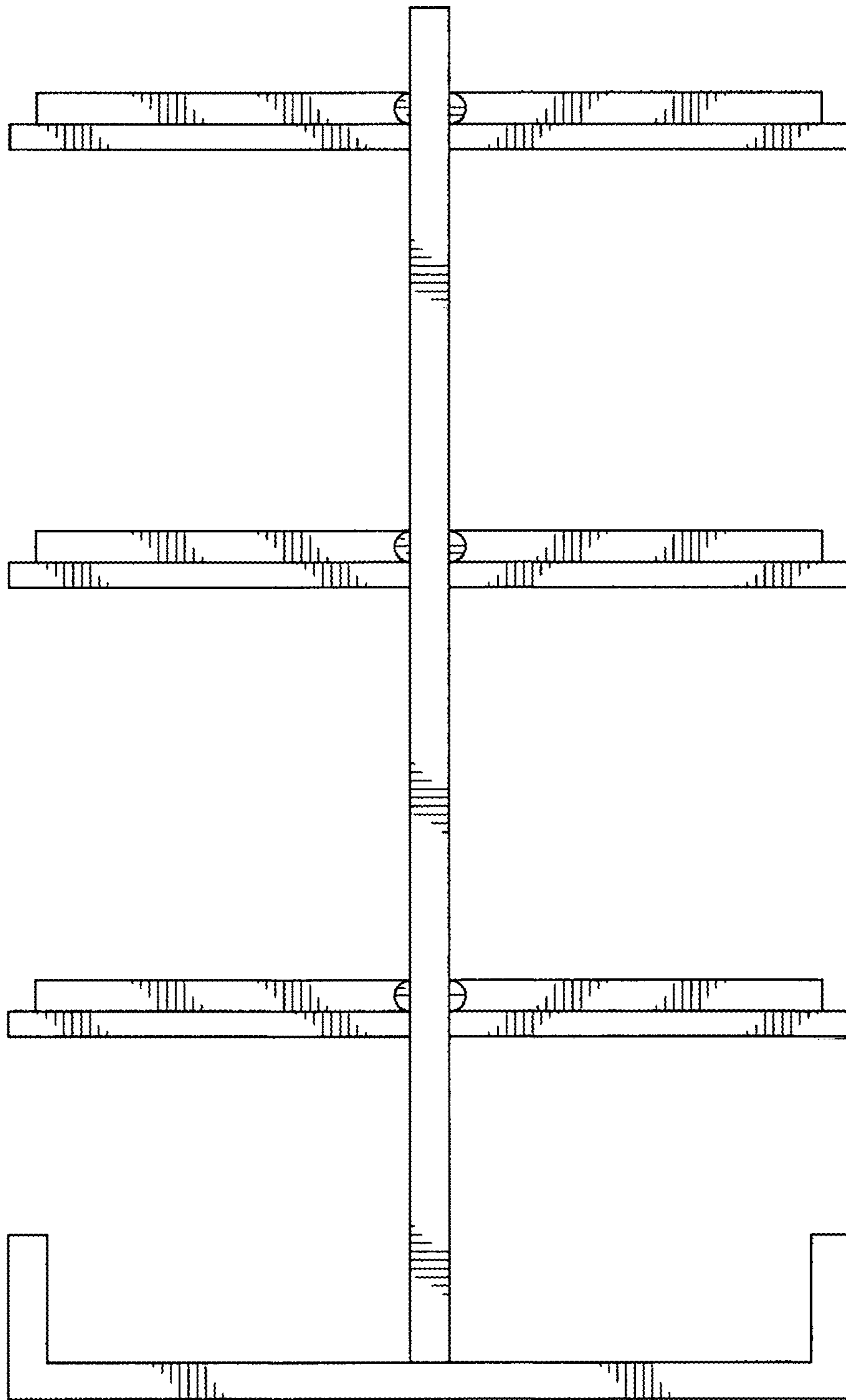


FIG. 3

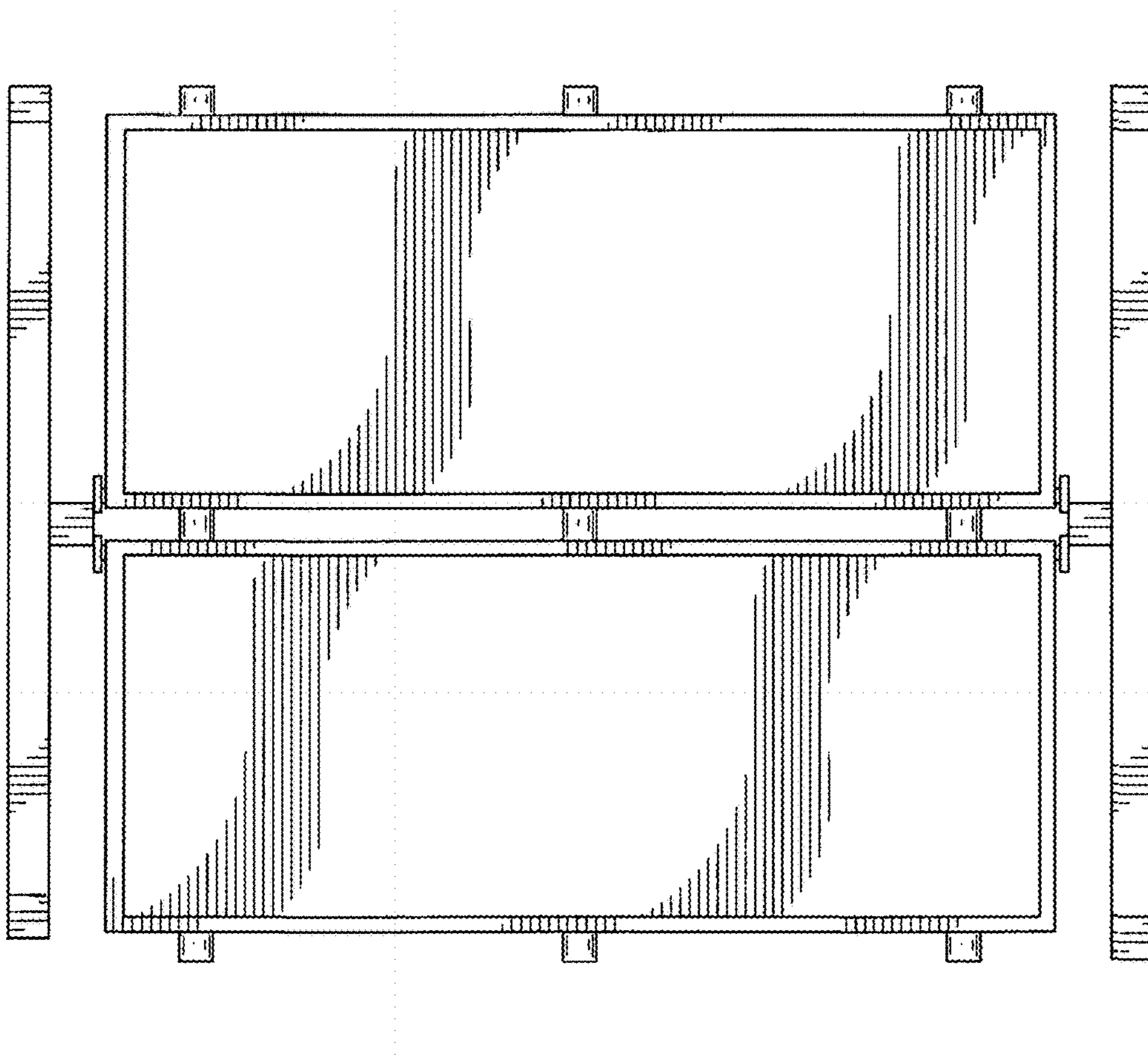
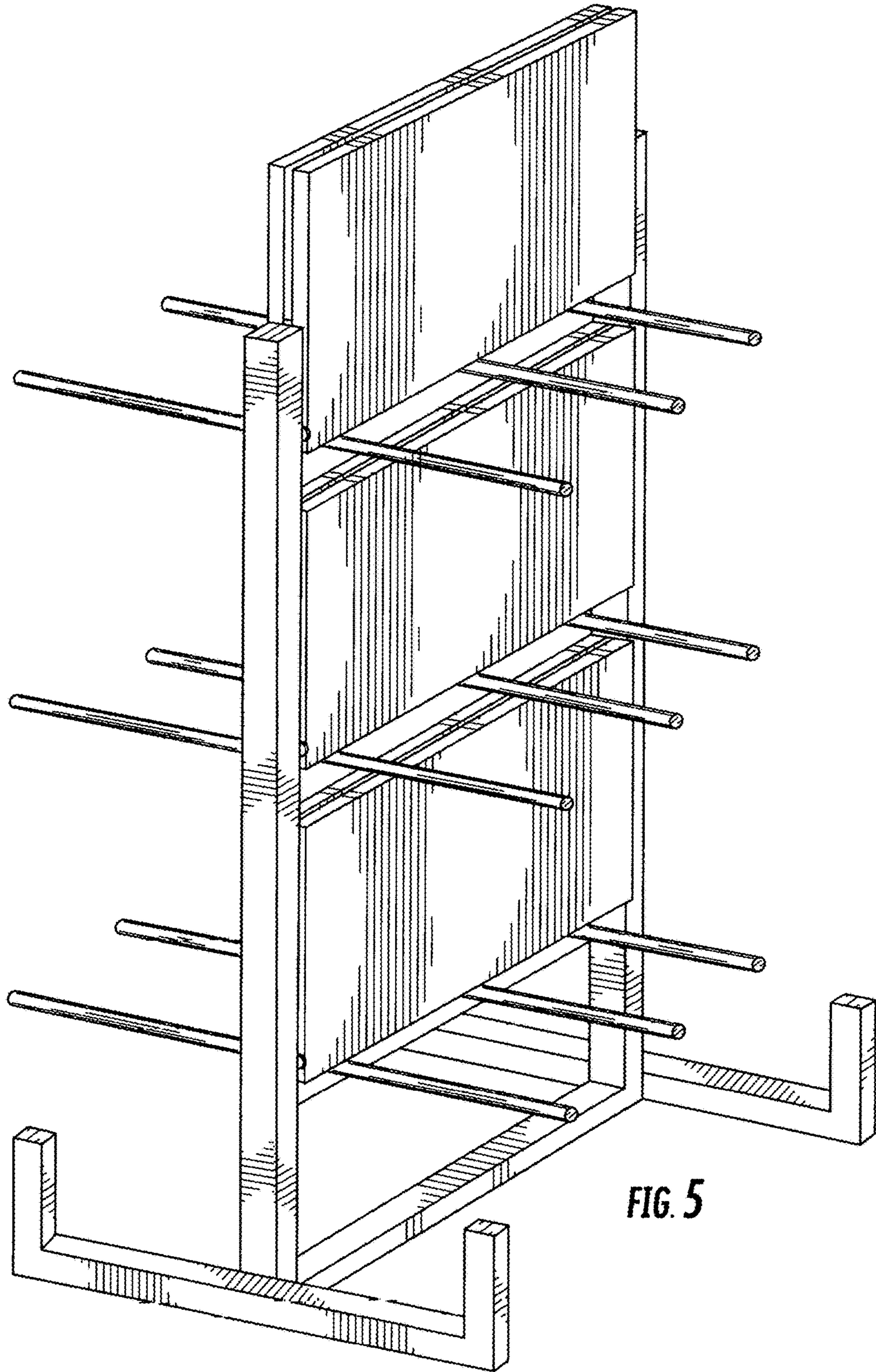


FIG. 4



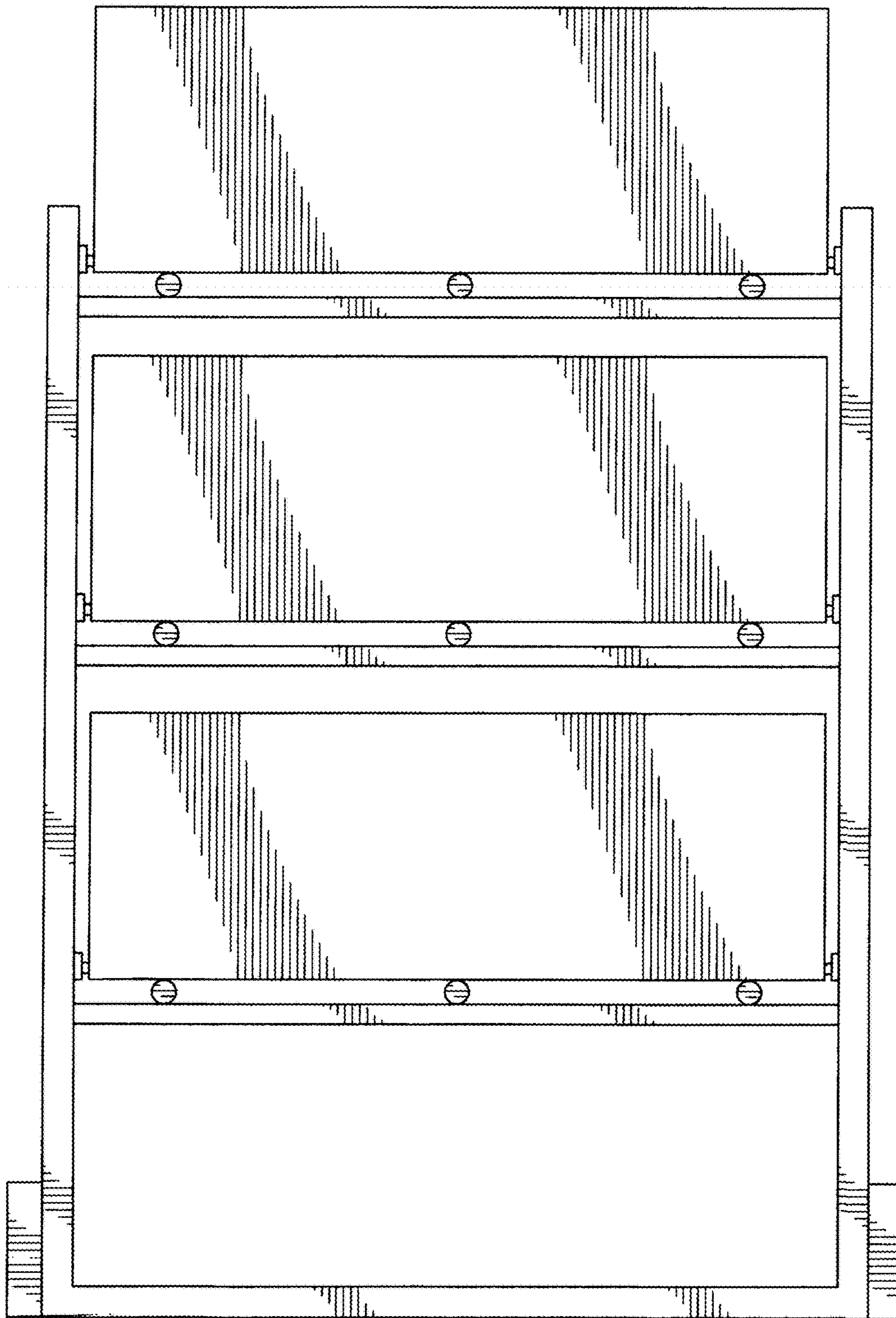


FIG. 6

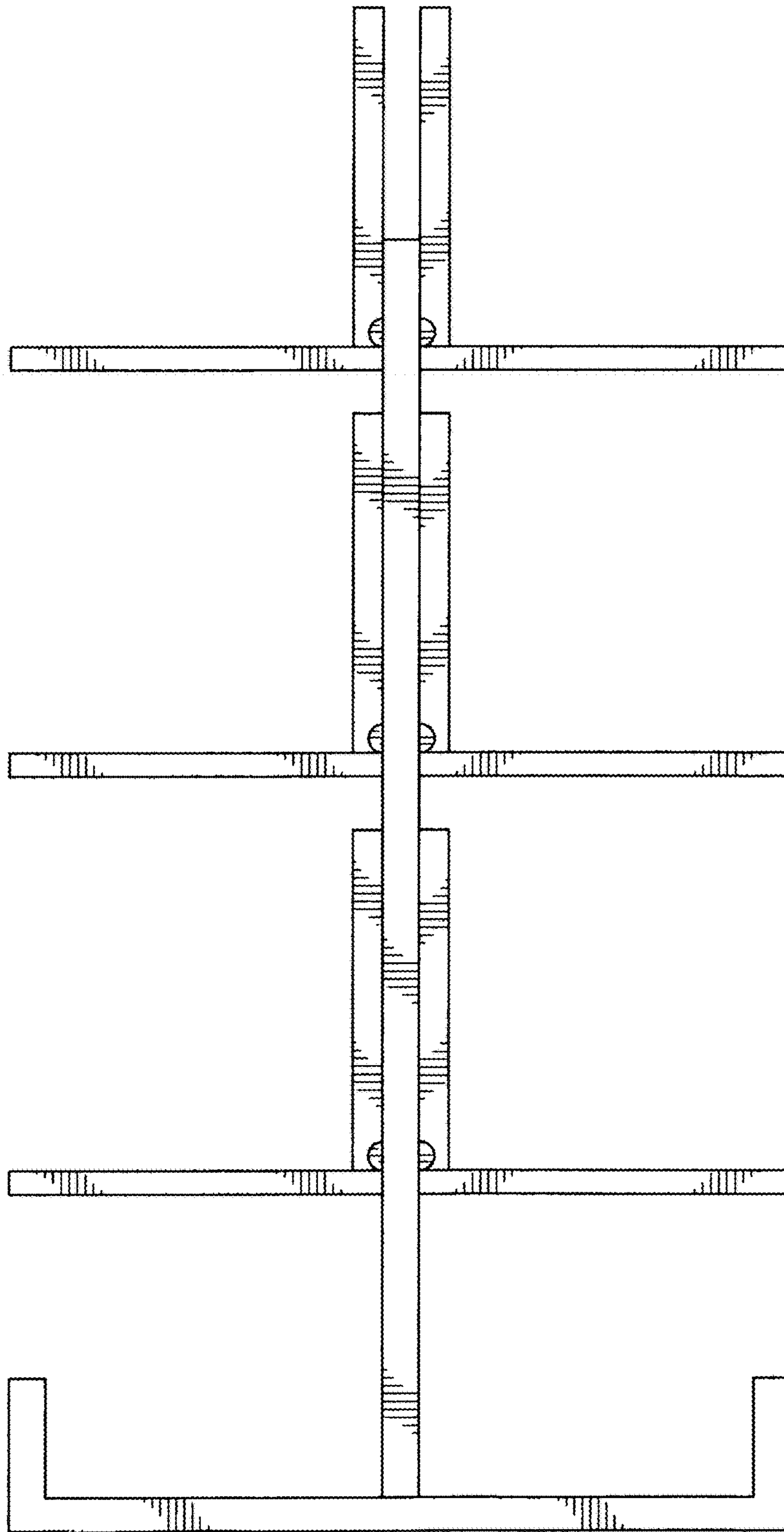


FIG. 7