



US00D781078S

(12) **United States Design Patent**
Goenka

(10) **Patent No.:** **US D781,078 S**
(45) **Date of Patent:** **** Mar. 14, 2017**

(54) **BED SHEET**
(71) Applicant: **Welspun India Ltd.**, Mumbai (IN)
(72) Inventor: **Dipali Goenka**, Mumbai (IN)
(73) Assignee: **Welspun India Ltd.**, Mumbai (IN)
(**) Term: **15 Years**
(21) Appl. No.: **29/537,716**
(22) Filed: **Aug. 28, 2015**

3,020,566 A * 2/1962 Anderson A47G 9/0246
5/496
3,111,688 A * 11/1963 Barnes A47C 31/105
5/497
3,181,179 A * 5/1965 Roddey, Jr. A47C 21/022
5/497

(Continued)

Primary Examiner — Mary Ann Calabrese
Assistant Examiner — Jennifer L Rempfer
(74) *Attorney, Agent, or Firm* — Finnegan, Henderson,
Farabow, Garrett & Dunner, LLP

(30) **Foreign Application Priority Data**
Aug. 7, 2015 (IN) 274270
(51) **LOC (10) Cl.** **06-13**
(52) **U.S. Cl.**
USPC **D6/602**
(58) **Field of Classification Search**
USPC D6/582–583, 587–592, 595–609,
D6/617–622; D24/183
CPC A47G 9/00; A47G 2009/001; A47G
2009/002; A47G 2009/003; A47G 9/10;
A47G 9/1009; A47G 2009/1018; A47G
9/1045; A47G 9/1081; A47G 9/109;
A47G 2009/005; A47G 2009/006; A47G
9/02; A47G 9/0207; A47G 9/0215; A47G
9/0223; A47G 9/023; A47G 9/0238;
A47G 9/0246; A47G 9/0253; A47G
9/0261; A47G 2009/0269; A47G 11/002;
A47G 21/165
See application file for complete search history.

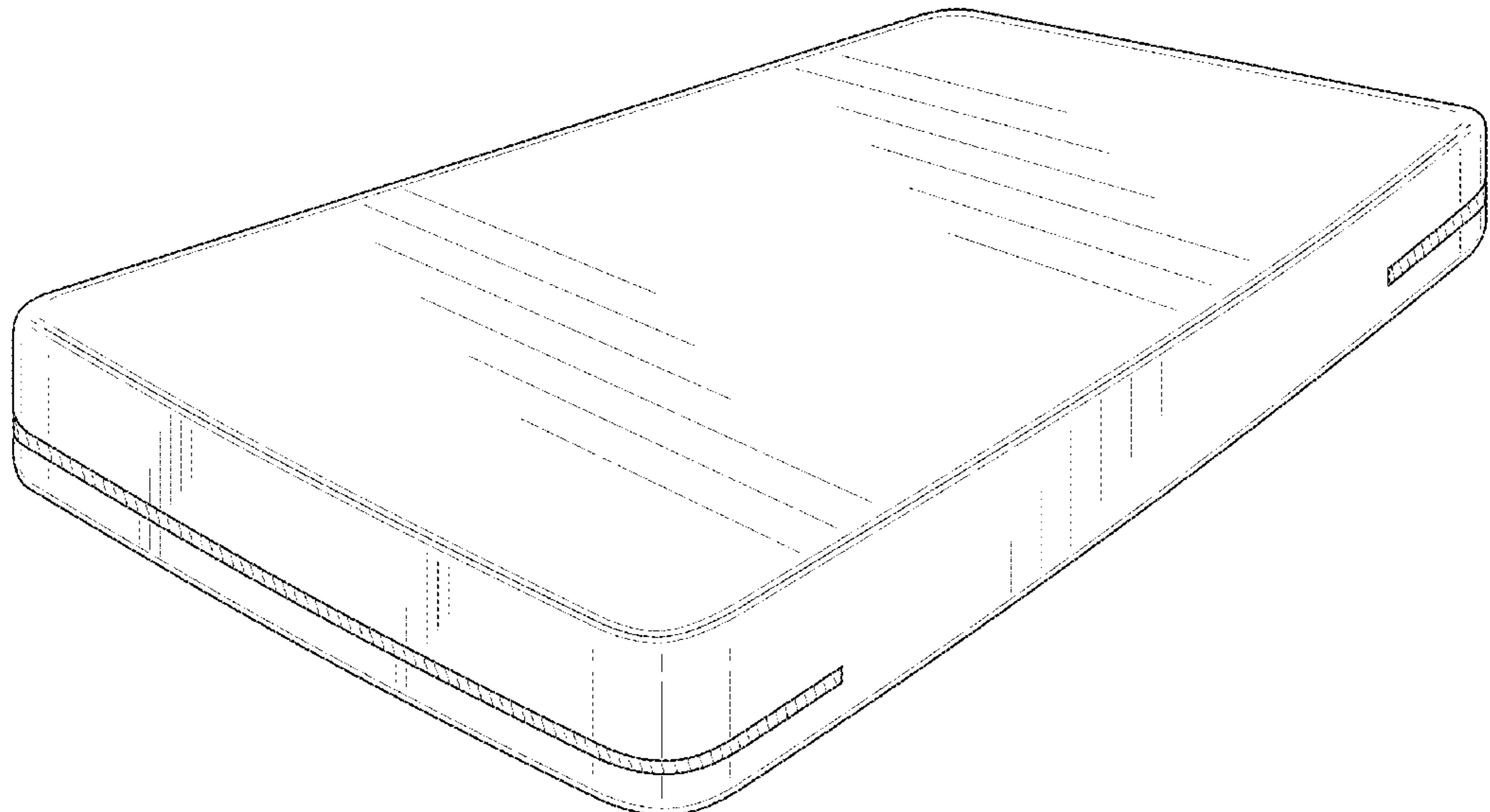
(57) **CLAIM**
The ornamental design for a bed sheet, as shown and described.

DESCRIPTION

FIG. 1 is a perspective view of a bed sheet showing our new design;
FIG. 2 is a top plan view thereof;
FIG. 3 is a bottom plan view thereof;
FIG. 4 is a front elevation view thereof, the rear elevation view being identical thereto;
FIG. 5 is a left side elevation view thereof, the right side elevation view being identical thereto;
FIG. 6 is a perspective view of the bed sheet turned inside out;
FIG. 7 is a top plan view of the bed sheet turned inside out;
FIG. 8 is a bottom plan view of the bed sheet turned inside out;
FIG. 9 is a front elevation view of the bed sheet turned inside out, the rear elevation view of the bed sheet turned inside out being identical thereto; and,
FIG. 10 is a left side elevation view of the bed sheet turned inside out, the right side elevation view of the bed sheet turned inside out being identical thereto.

(56) **References Cited**
U.S. PATENT DOCUMENTS
2,605,483 A * 8/1952 Ridenhour A47G 9/0246
5/497
2,907,055 A * 10/1959 Berman A47C 31/105
5/496

1 Claim, 10 Drawing Sheets



(56)

References Cited

U.S. PATENT DOCUMENTS

3,290,702 A * 12/1966 Seltzer A47G 9/0246
 139/383 R
 3,438,068 A * 4/1969 Anderson A47G 9/0246
 5/497
 4,703,530 A * 11/1987 Gusman A47G 9/0246
 5/497
 4,744,118 A * 5/1988 Lunt A47G 9/0246
 156/227
 4,970,744 A * 11/1990 Davis A47G 9/0246
 5/496
 5,046,207 A * 9/1991 Chamberlain A47G 9/0246
 5/496
 5,142,718 A * 9/1992 Anderson A47G 9/0246
 5/497
 5,173,976 A * 12/1992 Jubinville A47G 9/0246
 5/497
 5,557,814 A * 9/1996 Cybulski A47G 9/0246
 5/485
 6,381,778 B1 * 5/2002 Peterson A47C 19/024
 5/201
 6,631,529 B1 * 10/2003 Erickson A47G 9/0246
 5/484
 7,003,832 B2 * 2/2006 Wilson A47C 21/048
 219/217
 7,398,570 B2 * 7/2008 Seago A47G 9/0246
 5/497

D670,125 S * 11/2012 Agarwall D6/602
 D677,964 S * 3/2013 Agarwall D6/602
 8,528,134 B2 * 9/2013 Bell A47C 31/007
 24/389
 D691,399 S * 10/2013 Jalan D6/602
 8,813,280 B1 * 8/2014 Arora A47G 9/0246
 5/482
 D713,174 S * 9/2014 Alletto, Jr. D6/602
 2004/0068794 A1 * 4/2004 Wootten A47G 9/0246
 5/497
 2004/0187211 A1 * 9/2004 Wootten, Jr. A47G 9/0207
 5/497
 2006/0075556 A1 * 4/2006 Wootten A47G 9/0246
 5/485
 2008/0263768 A1 * 10/2008 Balasundharam ... A47G 9/0246
 5/497
 2008/0289104 A1 * 11/2008 Rowson A47G 9/02
 5/482
 2012/0054962 A1 * 3/2012 Agarwall A47G 9/0246
 5/497
 2012/0240860 A1 * 9/2012 Suplina A47G 9/0246
 119/28.5
 2012/0324646 A1 * 12/2012 Briganti A47G 9/0246
 5/496
 2013/0239328 A1 * 9/2013 Rose A47G 9/0246
 5/497
 2015/0026887 A1 * 1/2015 Taylor A47G 9/0246
 5/496

* cited by examiner

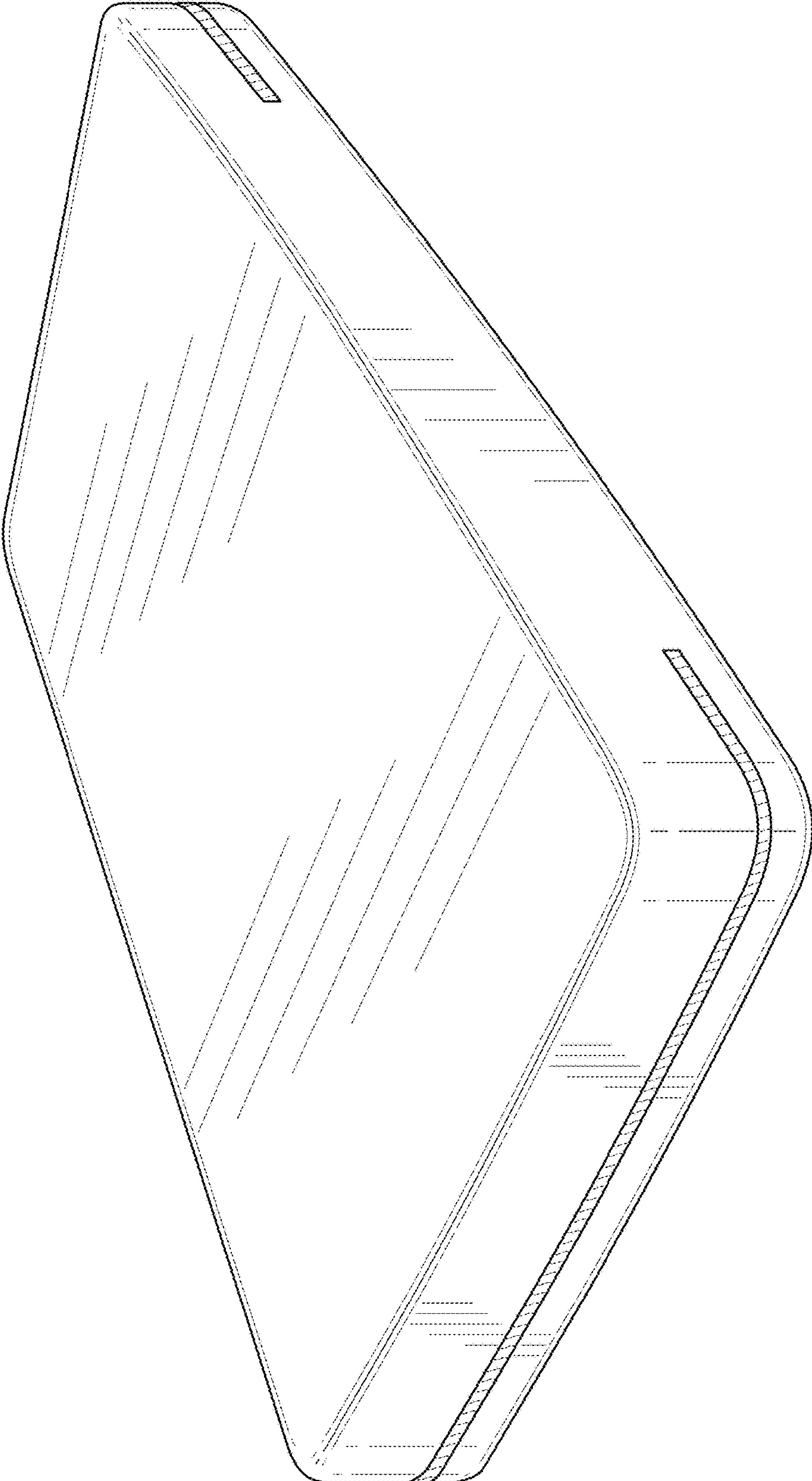


FIG. 1

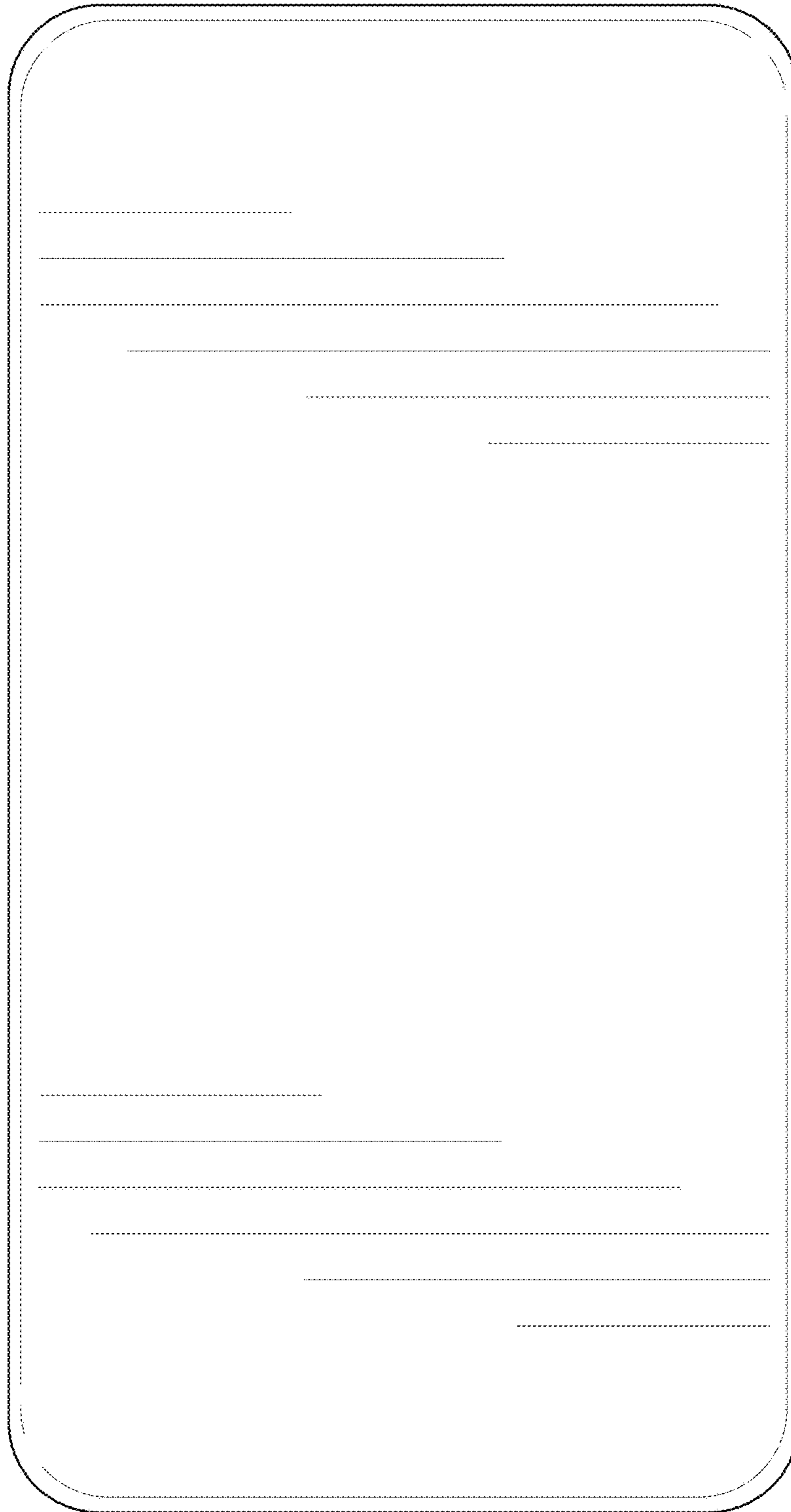


FIG. 2

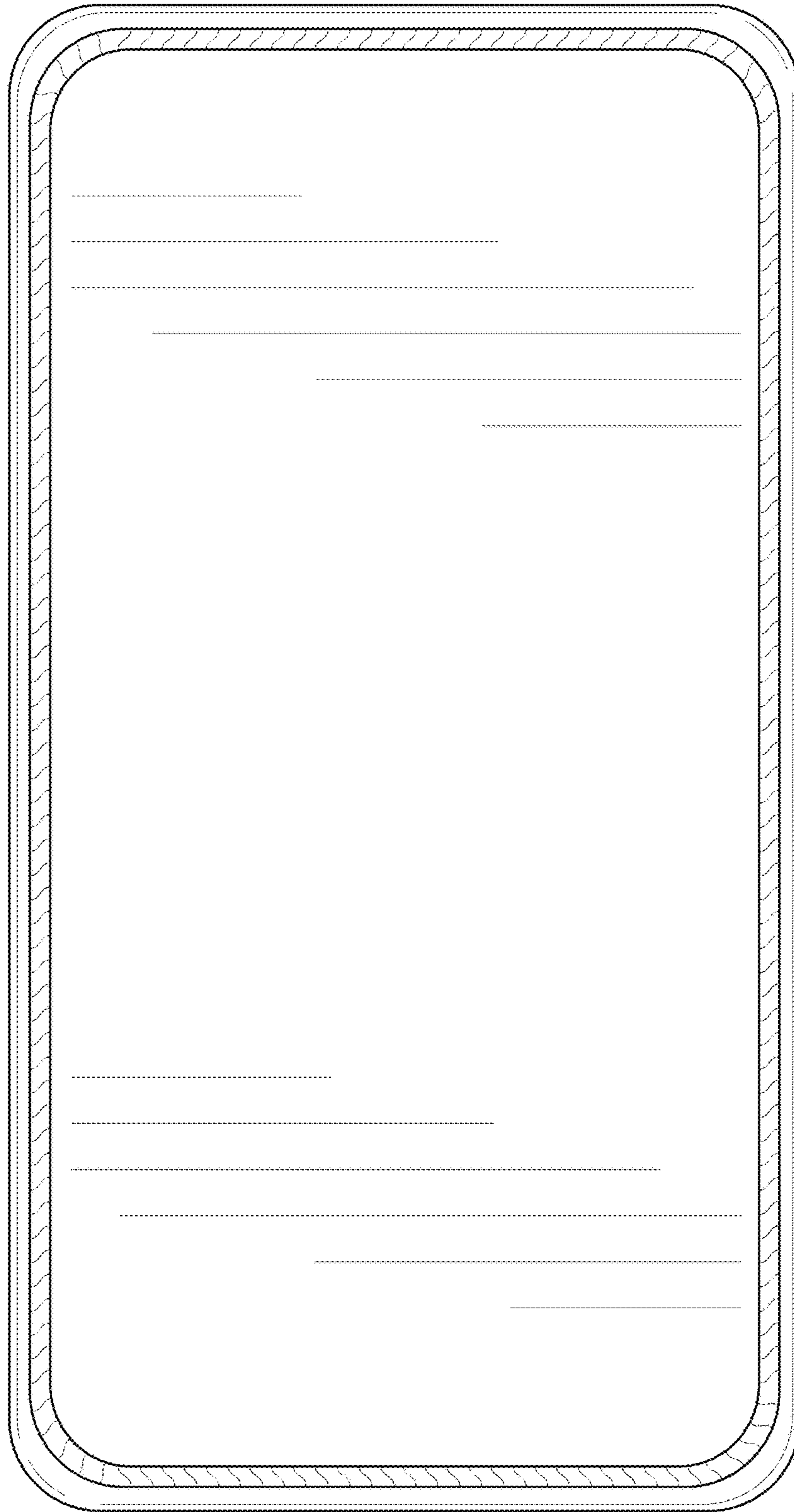


FIG. 3

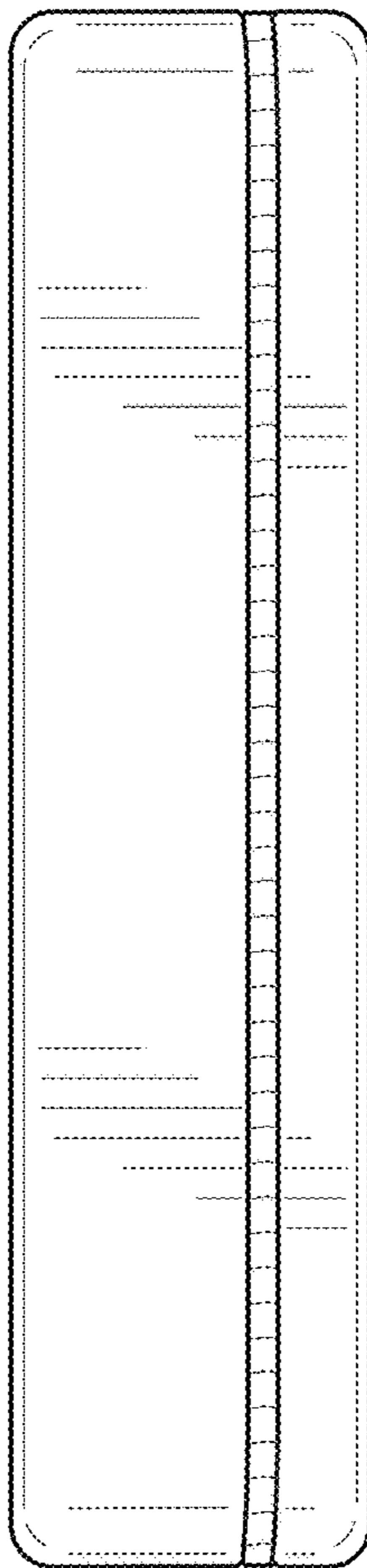


FIG. 4

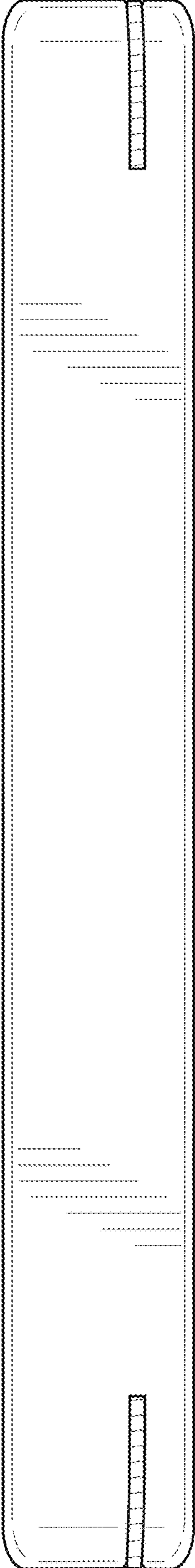


FIG. 5

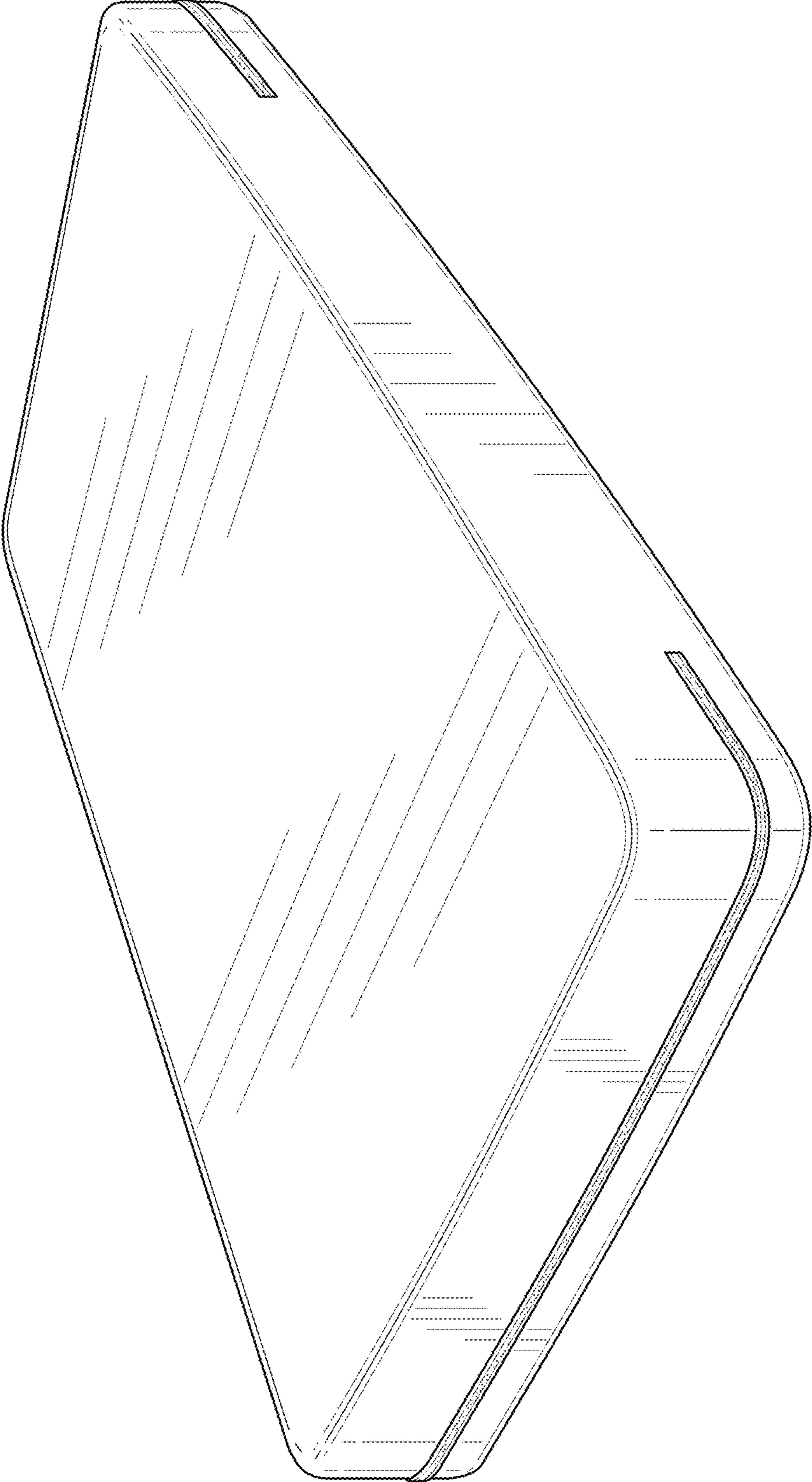


FIG. 6

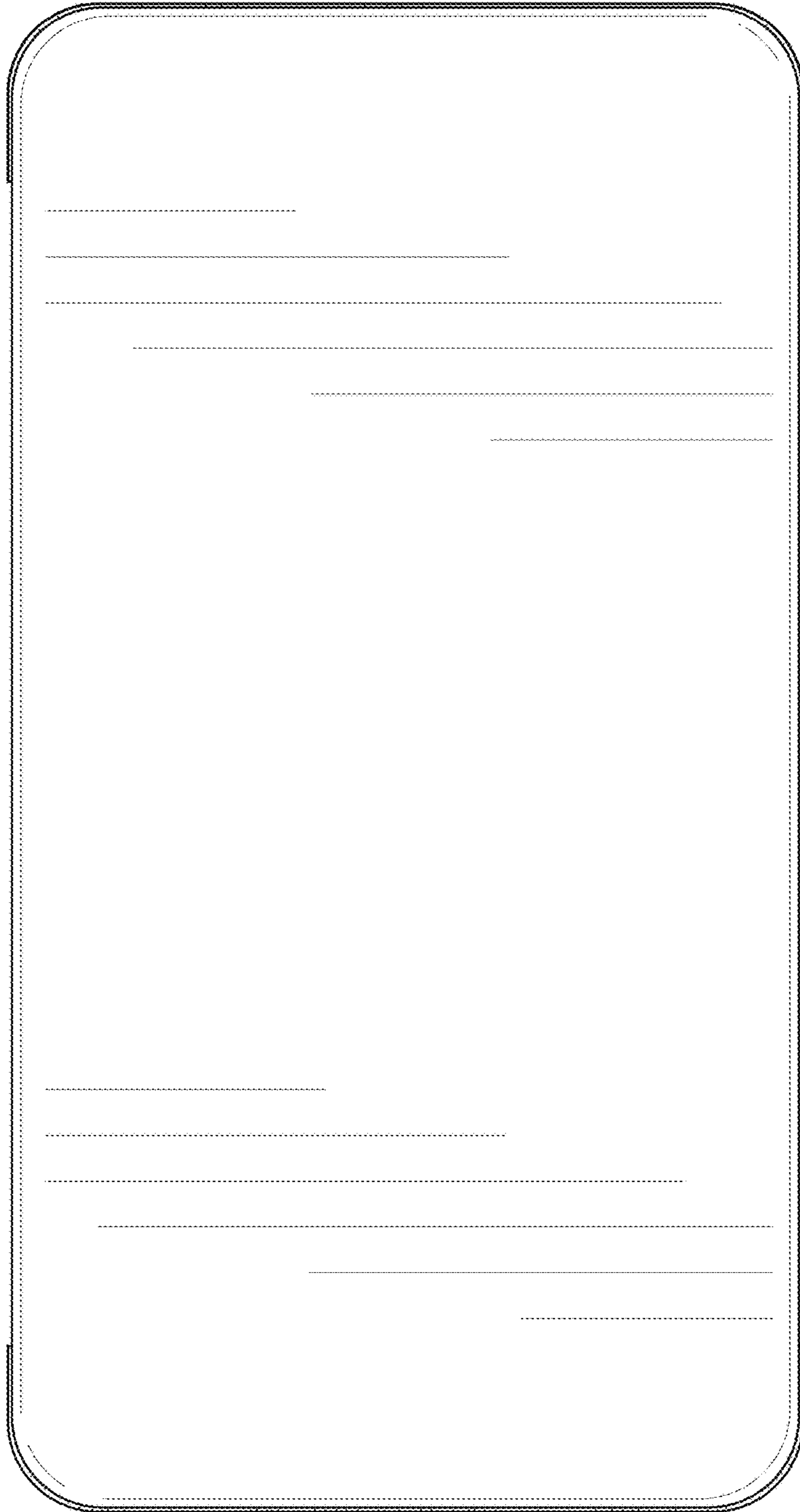


FIG. 7

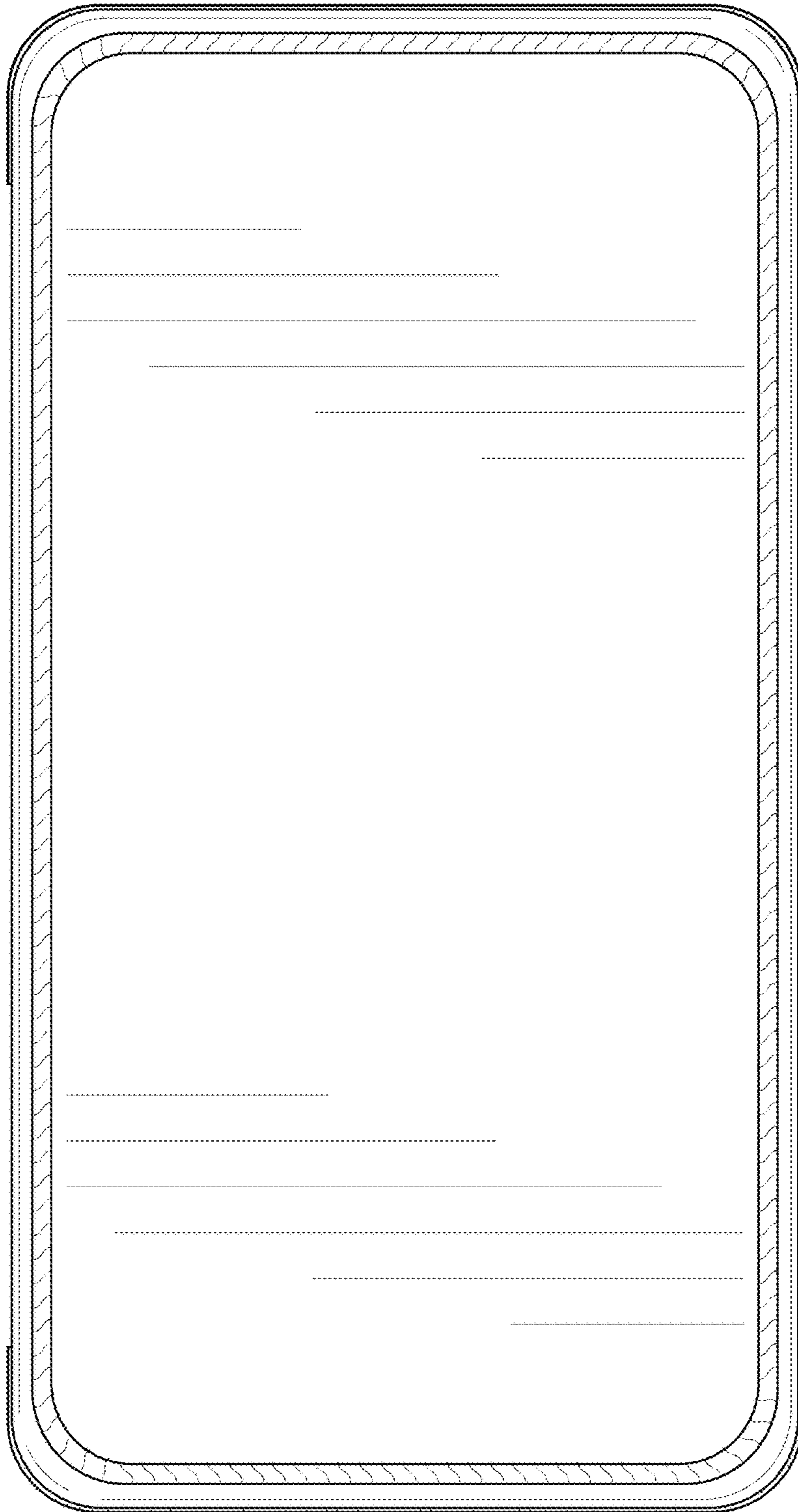


FIG. 8

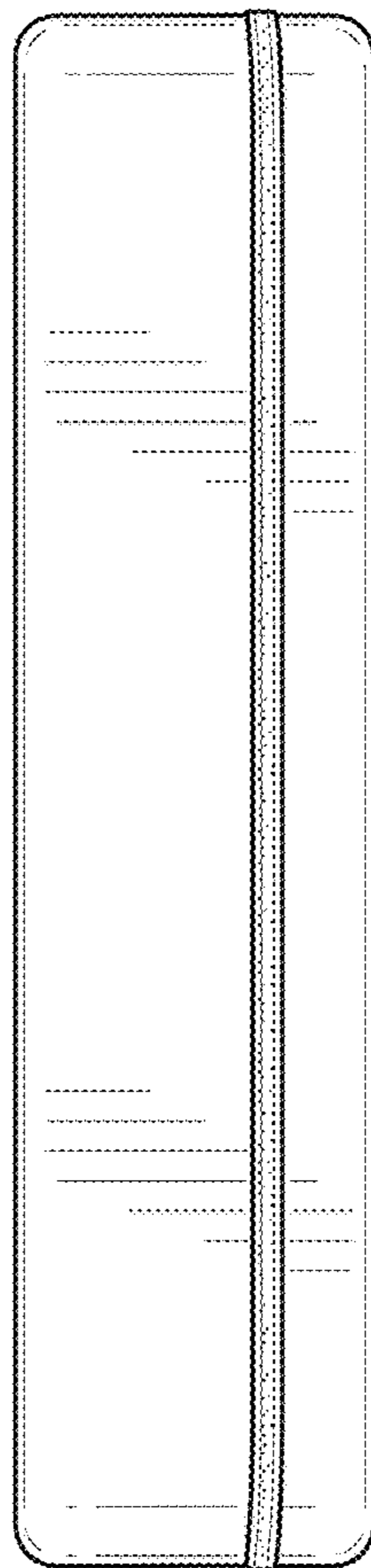


FIG. 9

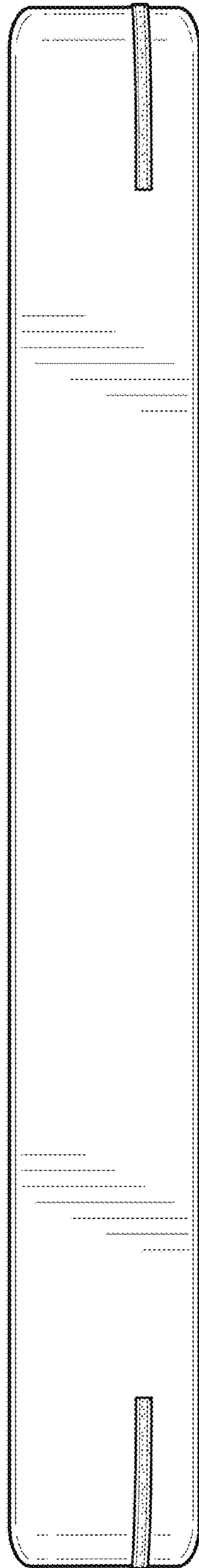


FIG. 10