



US00D781071S

(12) **United States Design Patent**
Callif et al.

(10) **Patent No.:** **US D781,071 S**

(45) **Date of Patent:** **** Mar. 14, 2017**

(54) **ACCESSORY SUPPORT SYSTEM**

(71) Applicant: **LIBERTY HARDWARE MFG. CORP.**, Winston-Salem, NC (US)

(72) Inventors: **Adam William Callif**, Chicago, IL (US); **Christina L. Hurley**, Kernersville, NC (US); **Nathaniel Faltin Dutton Schultz**, Winston-Salem, NC (US); **Earl David Forrest**, Asheboro, NC (US)

(73) Assignee: **Liberty Hardware Mfg. Corp.**, Winston-Salem, NC (US)

(**) Term: **15 Years**

(21) Appl. No.: **29/543,093**

(22) Filed: **Oct. 21, 2015**

(51) **LOC (10) Cl.** **06-04**

(52) **U.S. Cl.**

USPC **D6/566**

(58) **Field of Classification Search**

USPC D6/566, 524, 525, 536-537, 540, 567, D6/571, 573, 553; D3/305, 306, 311,
(Continued)

(56) **References Cited**

U.S. PATENT DOCUMENTS

D387,933 S * 12/1997 Effron D6/566
D429,102 S * 8/2000 Patel D6/537
(Continued)

FOREIGN PATENT DOCUMENTS

CN 203000475 U 6/2013

OTHER PUBLICATIONS

Anself, "Anself Adhesive Stick Bathroom, Magic Mop and Broom Organizer, Wall Mounted Storage & Organizer for Your Home,

Closet, Garage and Shed, Holds Up to 11 Tools, Superior Quality Tool Rack Holds Mops, Brooms, or Sports Equipment", Mar. 21, 2015, 4 pages.

Primary Examiner — Wan Laymon

Assistant Examiner — Mark Booker

(74) *Attorney, Agent, or Firm* — Lora J. Graentzdoerffer

(57) **CLAIM**

The ornamental design for an accessory support system, as shown and described.

DESCRIPTION

FIG. 1 is a perspective view of an accessory support system according to an embodiment;

FIG. 2 is a right side elevation view of the accessory support system of FIG. 1;

FIG. 3 is a left side elevation view of the accessory support system of FIG. 1;

FIG. 4 is a front elevation view of the accessory support system of FIG. 1;

FIG. 5 is a rear elevation view of the accessory support system of FIG. 1;

FIG. 6 is a top plan view of the accessory support system of FIG. 1;

FIG. 7 is a bottom plan view of the accessory support system of FIG. 1;

FIG. 8 is a perspective view of a rail of an accessory support assembly according to an embodiment;

FIG. 9 is a right side elevation view of the rail of the accessory support system of FIG. 8;

FIG. 10 is a left side elevation view of the rail of the accessory support system of FIG. 8;

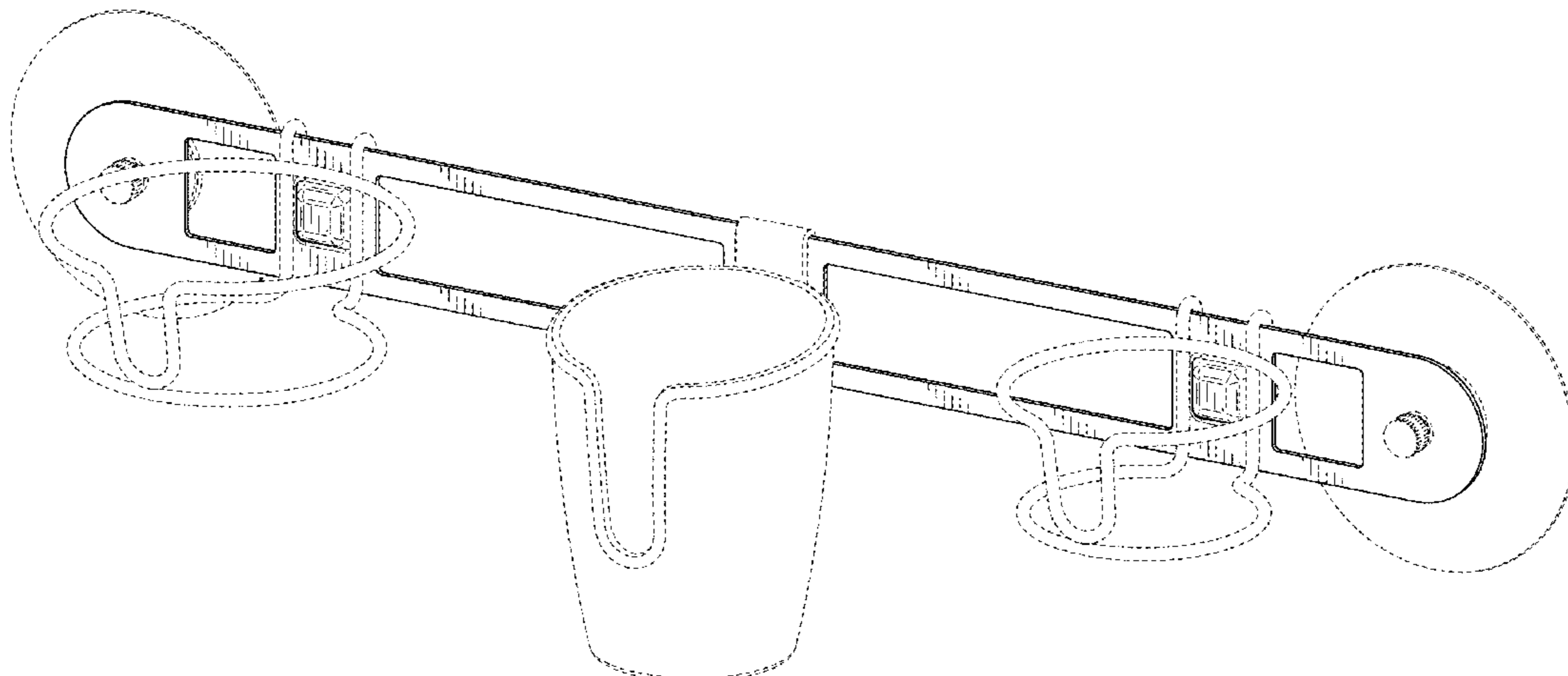
FIG. 11 is a front elevation view of the rail of the accessory support system of FIG. 8;

FIG. 12 is a rear elevation view of the rail of the accessory support system of FIG. 8;

FIG. 13 is a top plan view of the rail of the accessory support system of FIG. 8; and,

FIG. 14 is a bottom plan view of the rail of the accessory support system of FIG. 8.

(Continued)



The broken lines shown in the figures represent portions of article that form no part of the claimed design.

1 Claim, 12 Drawing Sheets

(58) Field of Classification Search

USPC D3/312, 314; 211/13.1, 71.01, 74, 75,
211/86.01, 88.01, 90.01, 90.03, 106, 119,
211/126.1, 133.5, 181.1, 134
CPC A47F 5/0846; A47F 7/00
See application file for complete search history.

(56) References Cited

U.S. PATENT DOCUMENTS

D564,257 S *	3/2008	Yang	D6/525
7,540,456 B2	6/2009	Thompson	
D608,054 S	1/2010	Radfar	
D628,841 S *	12/2010	Yang	D6/525
8,474,632 B2	7/2013	Yang et al.	
8,596,473 B2	12/2013	Newbould et al.	
D702,887 S	4/2014	Petruccelli	
D703,381 S	4/2014	Petruccelli	
D723,302 S *	3/2015	Goodman	D6/566
2004/0099624 A1	5/2004	Hein	
2012/0097692 A1	4/2012	Wang	
2012/0145847 A1	6/2012	Wang	
2013/0221172 A1	8/2013	Owen et al.	
2014/0001325 A1	1/2014	Friesch	
2015/0096117 A1	4/2015	Forrest et al.	

* cited by examiner

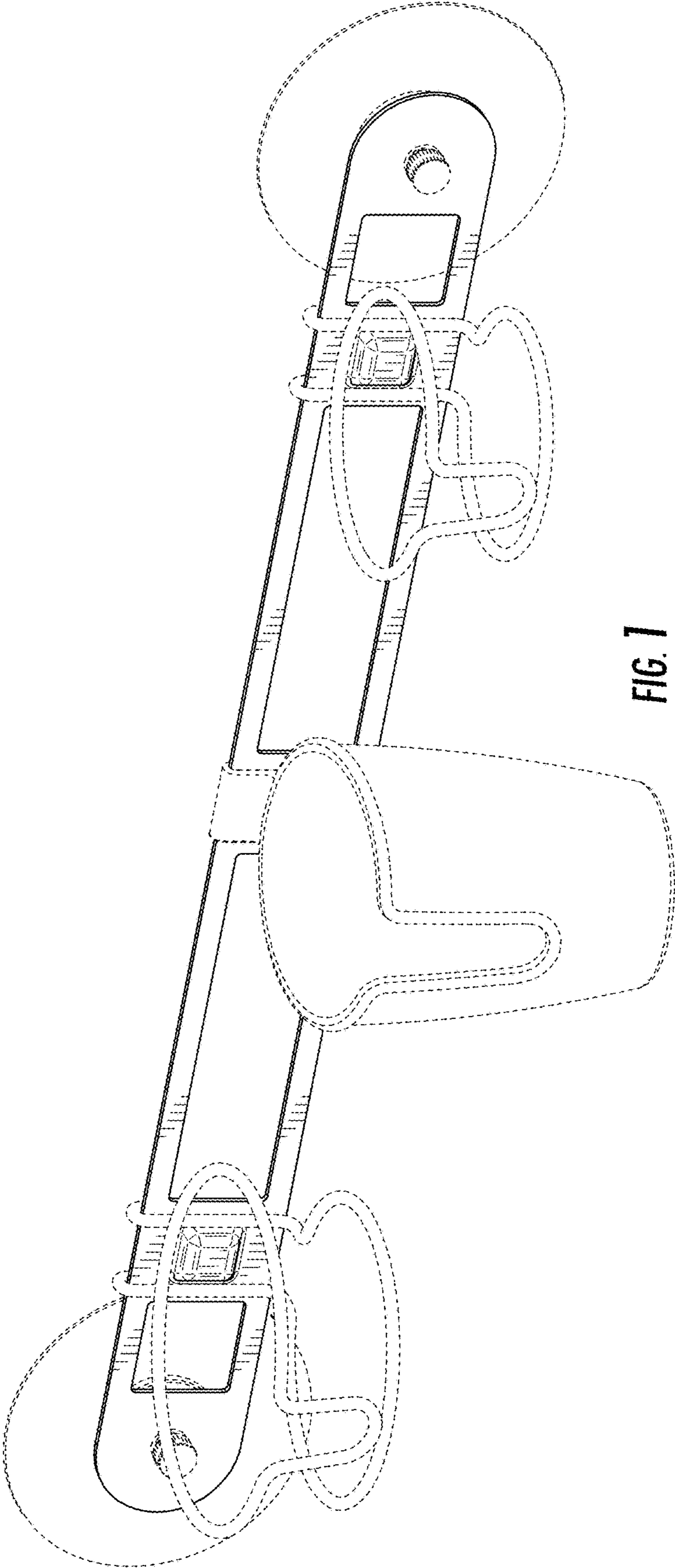


FIG. 1

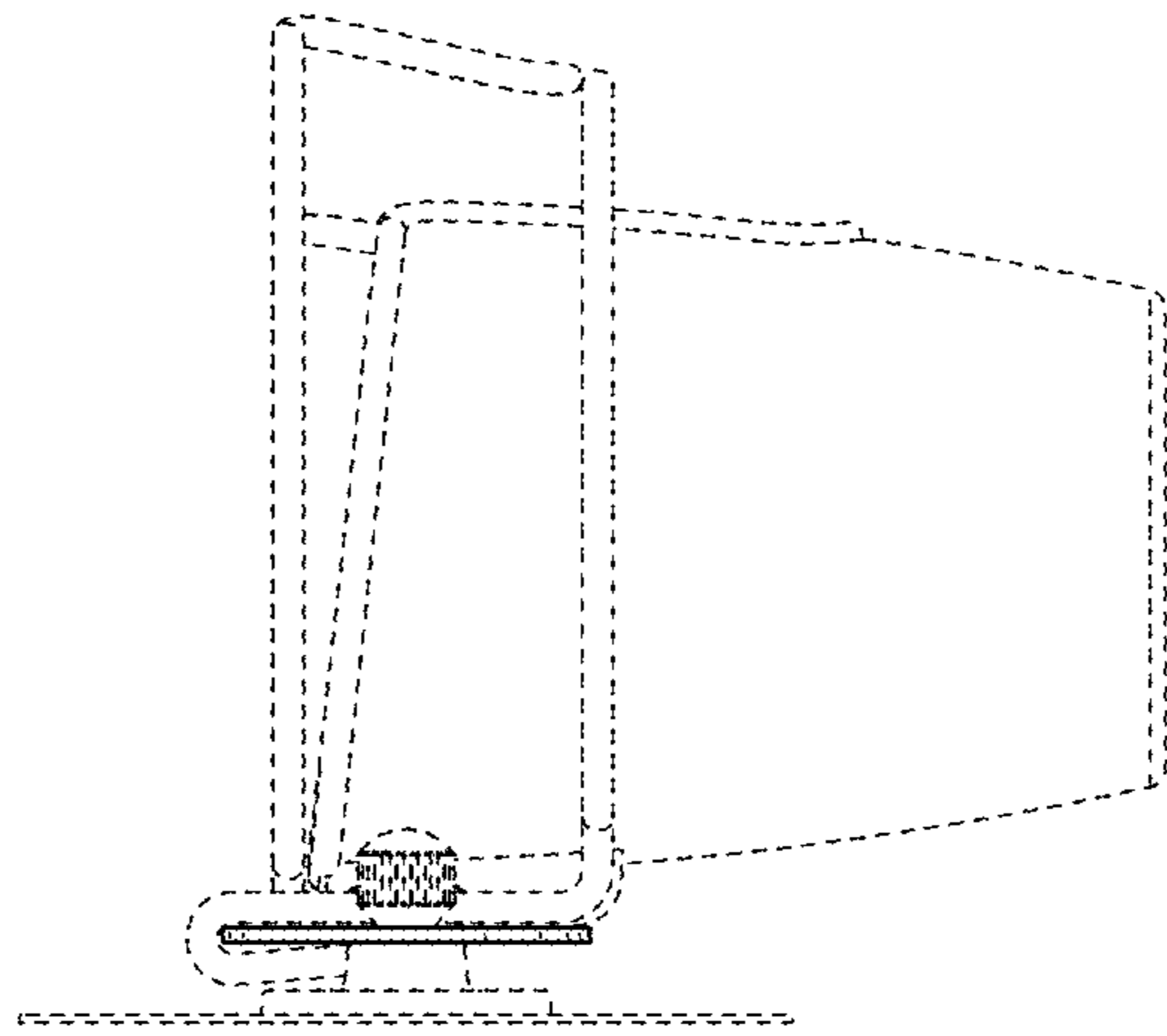


FIG. 3

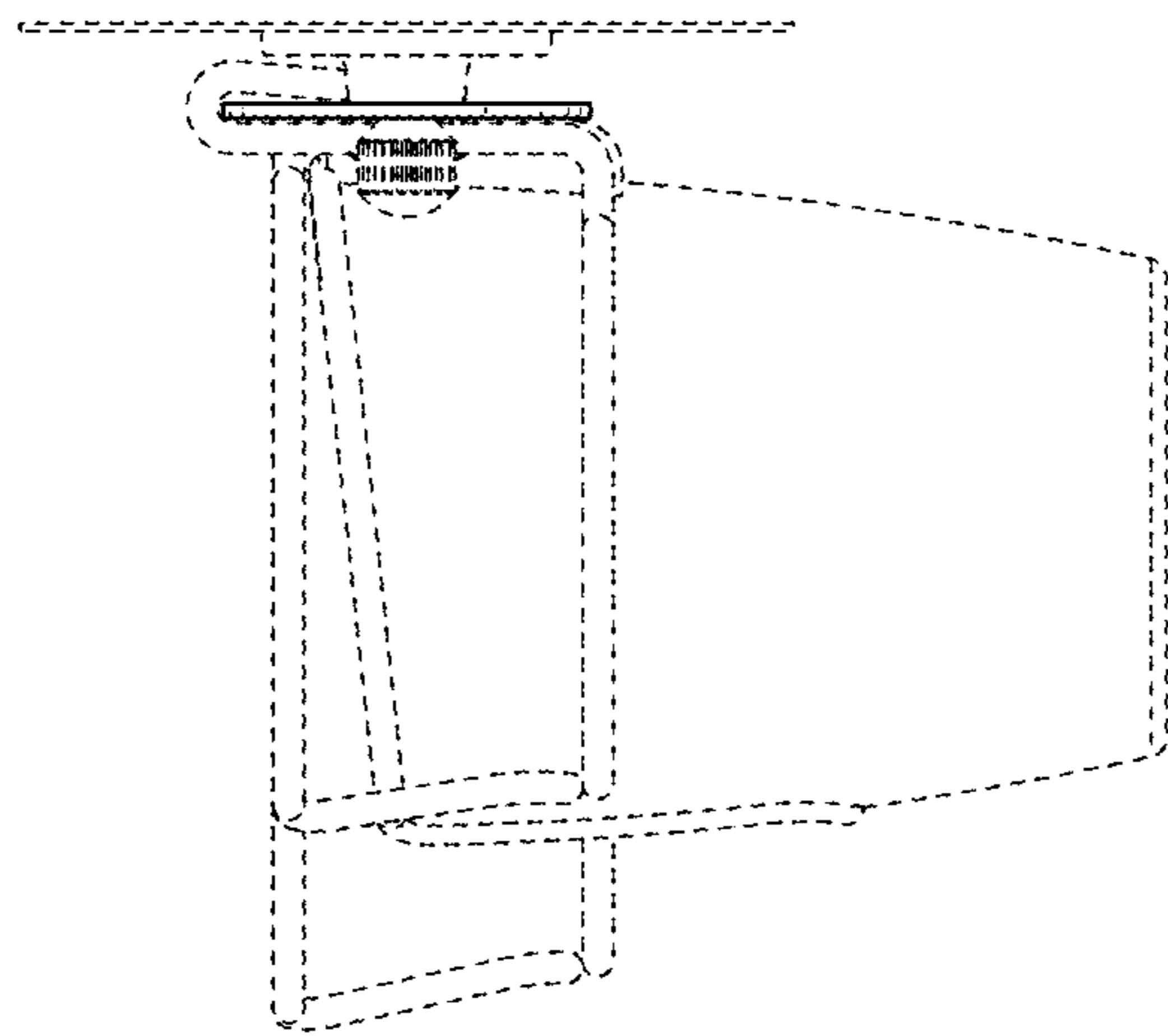


FIG. 2

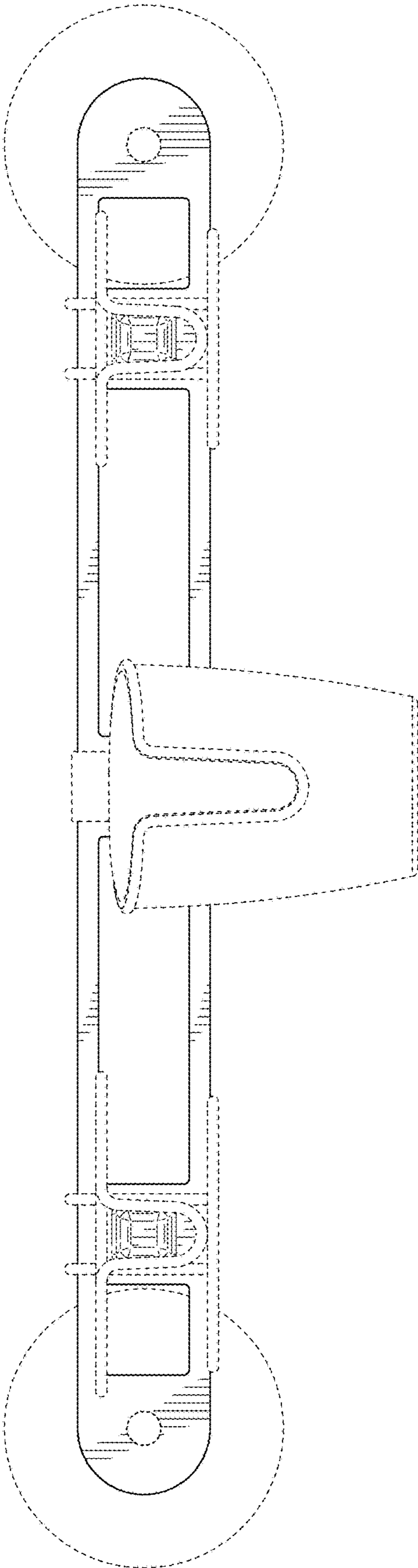


FIG. 4

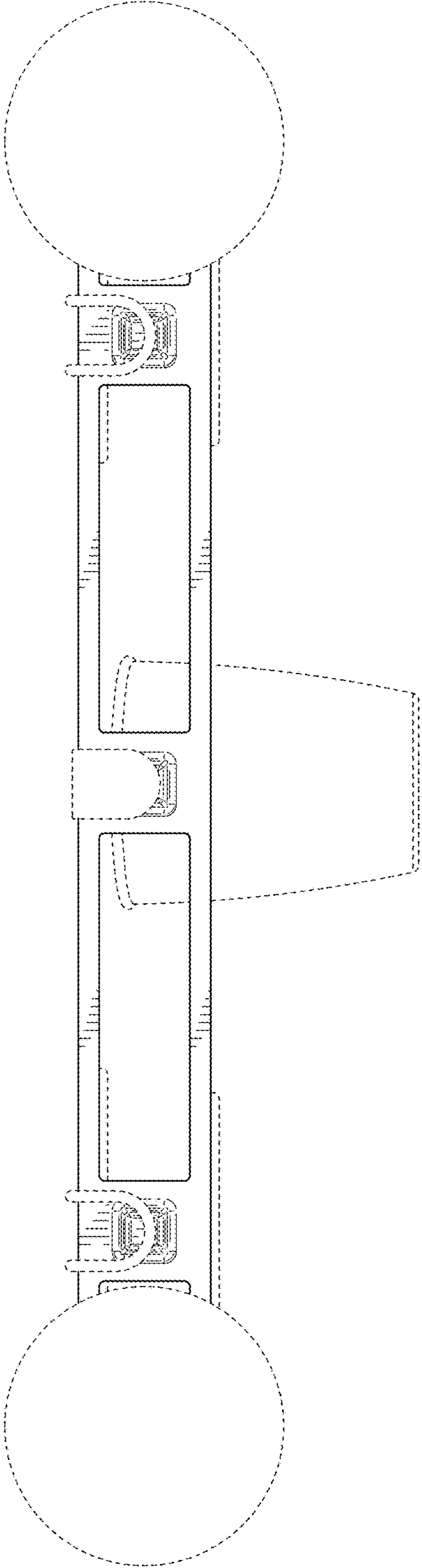


FIG. 5

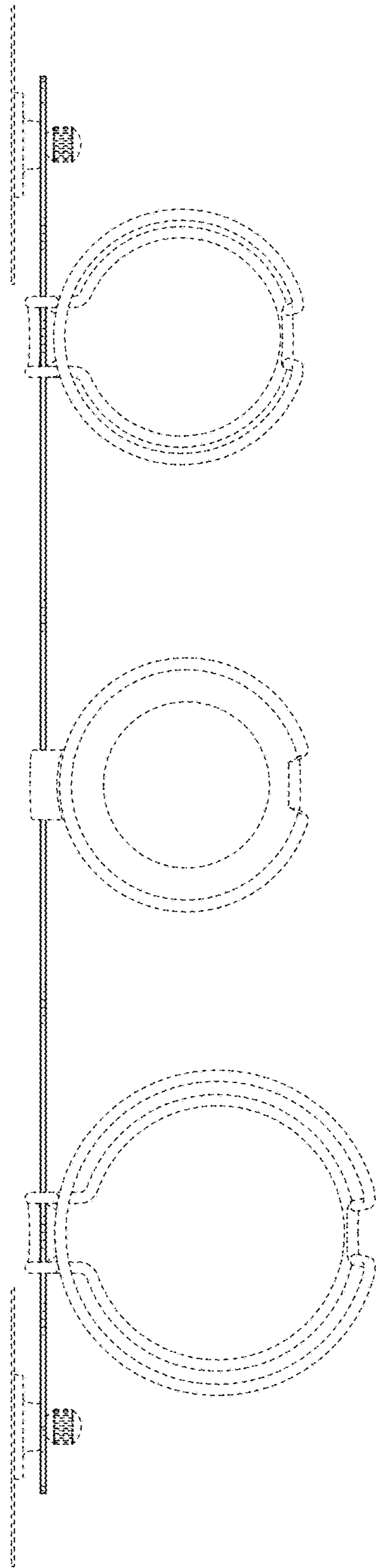


FIG. 6

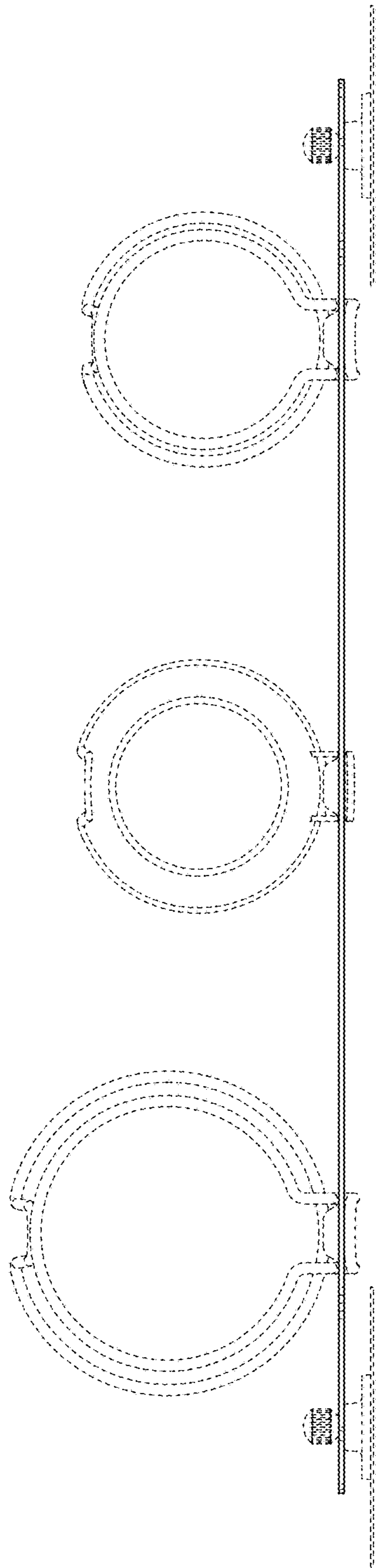


FIG. 7

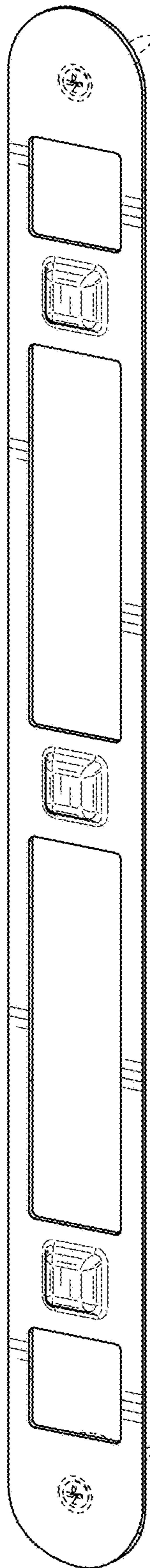


FIG. 8

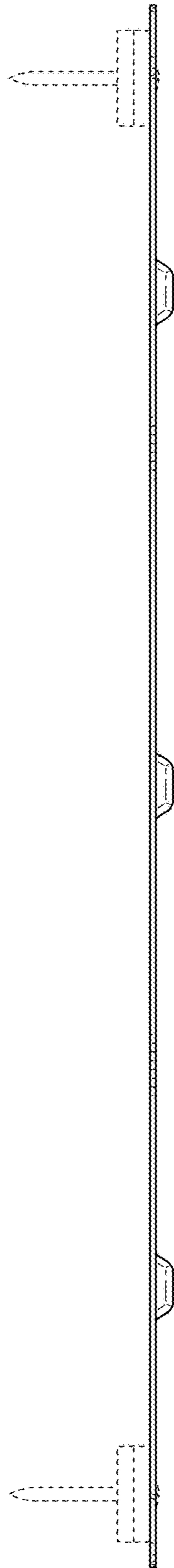


FIG. 9

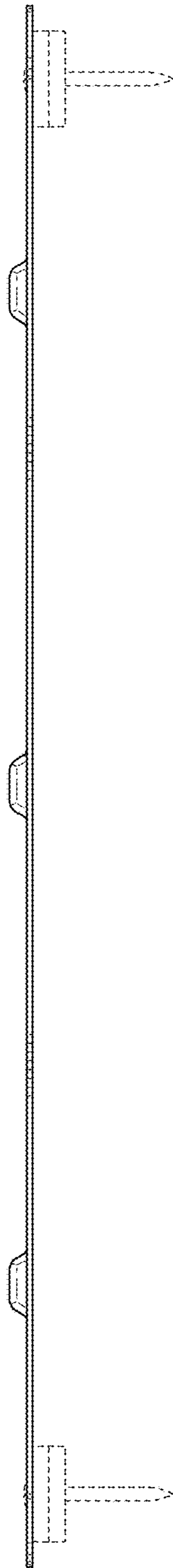


FIG. 10

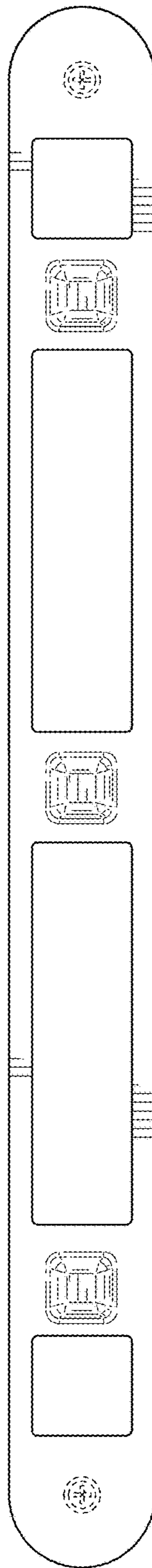


FIG. 11

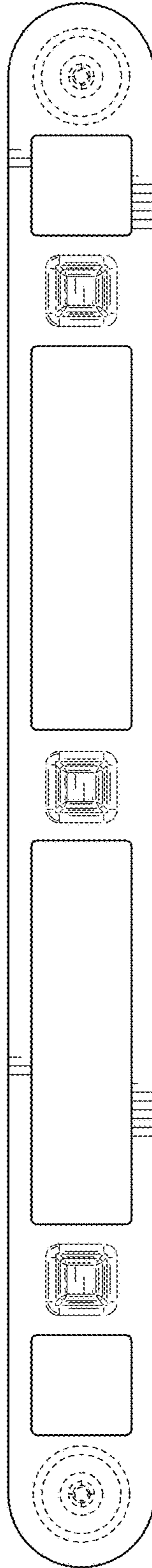


FIG. 12

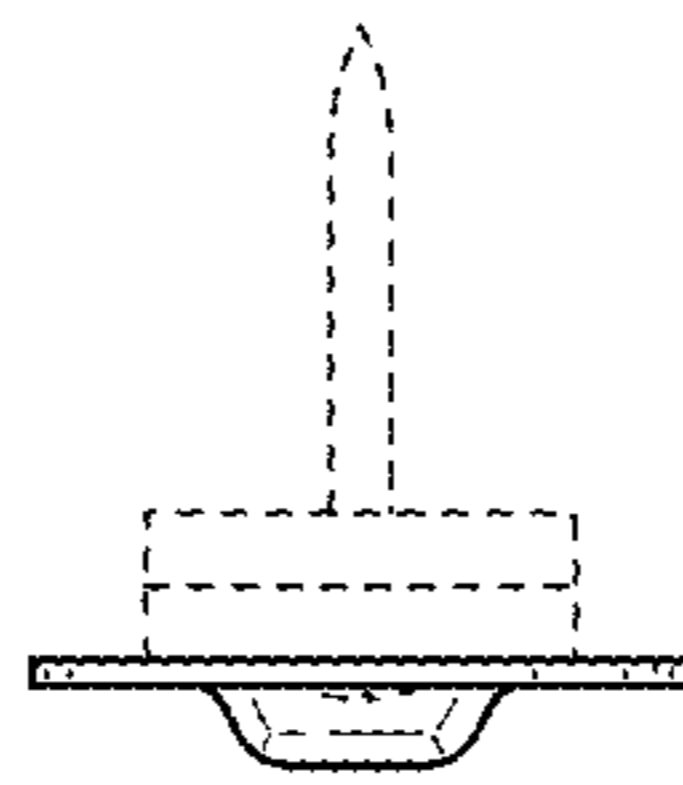


FIG. 13

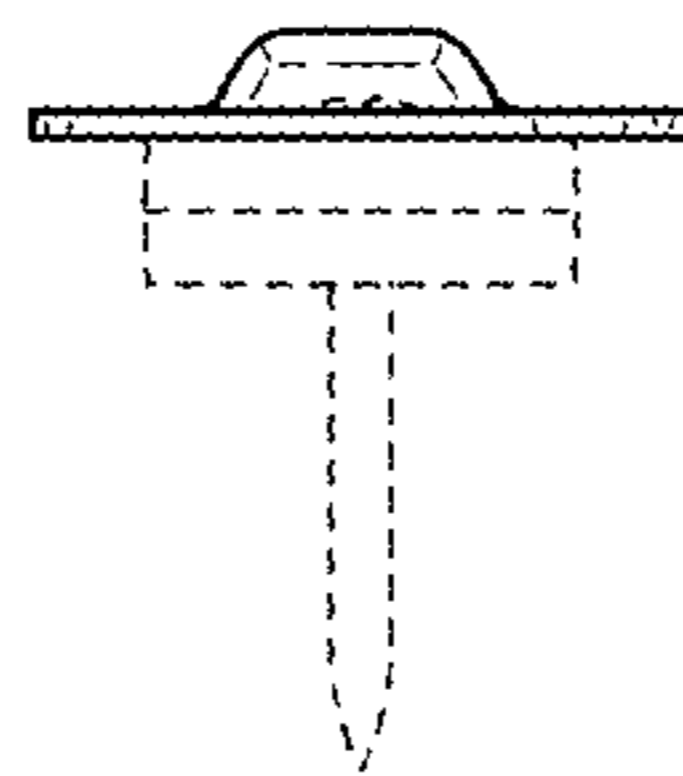


FIG. 14