



US00D781069S

(12) **United States Design Patent**  
**Marshall et al.**

(10) **Patent No.:** **US D781,069 S**  
(45) **Date of Patent:** **\*\* Mar. 14, 2017**

(54) **CADDY**

- (71) Applicant: **Honey-Can-Do International, LLC**, Berkeley, IL (US)
- (72) Inventors: **Jon Marshall**, London (GB); **Will Howe**, London (GB); **Edward Barber**, London (GB); **Jay Osgerby**, London (GB); **Molly Anderson**, San Francisco, CA (US); **Assaf Wand**, Palo Alto, CA (US)
- (73) Assignee: **Honey-Can-Do International, LLC**, Berkeley, IL (US)

(\*\*) Term: **15 Years**

(21) Appl. No.: **29/537,059**

(22) Filed: **Aug. 21, 2015**

(51) **LOC (10) Cl.** ..... **23-02**

(52) **U.S. Cl.**

USPC ..... **D6/553**

(58) **Field of Classification Search**

USPC ..... D6/525, 553, 524, 536, 540, 566;  
211/13.1, 74, 71.01, 86.01, 75, 126.1,  
211/133.5, 181.1, 134

(Continued)

(56) **References Cited**

**U.S. PATENT DOCUMENTS**

4,484,682 A 11/1984 Crow  
D287,175 S 12/1986 Gecchelin

(Continued)

**FOREIGN PATENT DOCUMENTS**

JP 2002/199980 7/2002  
JP 2003/246378 9/2003  
WO WO 2009/116895 9/2009

**OTHER PUBLICATIONS**

PCT International Search Report and Written Opinion in International Application PCT/US2012/030987, mailed Jul. 13, 2012, 15 pgs.

*Primary Examiner* — Wan Laymon  
*Assistant Examiner* — Mark Booker

(74) *Attorney, Agent, or Firm* — Adam K. Sacharoff;  
Much Shelist

(57) **CLAIM**

The ornamental design for a caddy, as shown and described.

**DESCRIPTION**

FIG. 1 is a perspective view of a caddy showing a first embodiment of our new design with a hook placed in a first position.

FIG. 2 is a front elevation view of the caddy of FIG. 1.

FIG. 3 is a back elevation view of the caddy of FIG. 1.

FIG. 4 is a right elevation view of the caddy of FIG. 1.

FIG. 5 is a left elevation view of the caddy of FIG. 1.

FIG. 6 is a top plan view of the caddy of FIG. 1.

FIG. 7 is a bottom plan view of the caddy of FIG. 1.

FIG. 8 is a perspective view of a caddy showing the first embodiment of our new design with the hook placed in a second position.

FIG. 9 is a front elevation view of the caddy of FIG. 8.

FIG. 10 is a back elevation view of the caddy of FIG. 8.

FIG. 11 is a right elevation view of the caddy of FIG. 8.

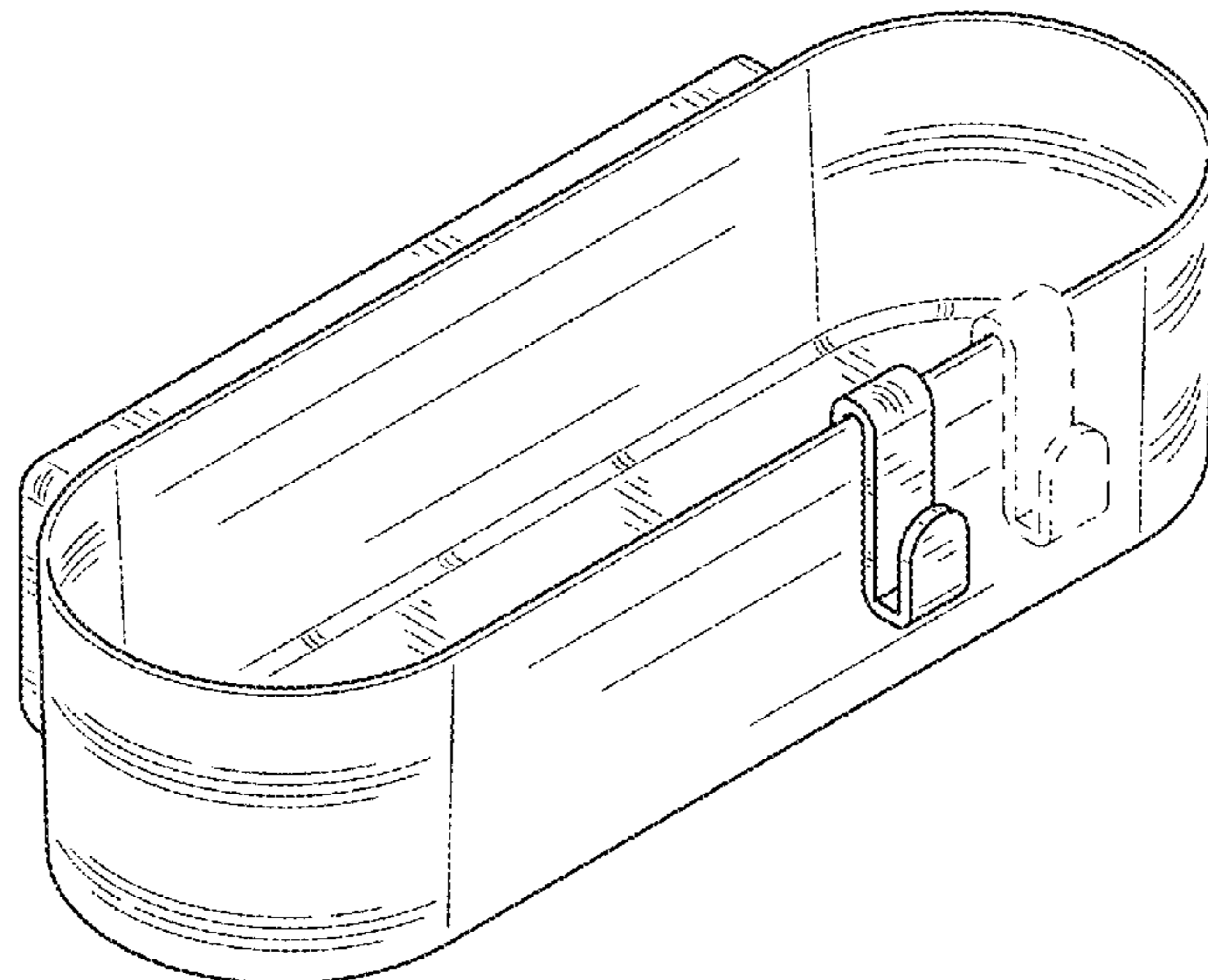
FIG. 12 is a left elevation view of the caddy of FIG. 8.

FIG. 13 is a top plan view of the caddy of FIG. 8; and,

FIG. 14 is a bottom plan view of the caddy of FIG. 8.

The broken line showing in the figures is included for the purpose of illustrating portions of the article and forms no part of the claimed design.

**1 Claim, 10 Drawing Sheets**



- (58) **Field of Classification Search**  
 CPC ..... A47K 17/00; A47K 3/281; A47K 3/001;  
 B23P 17/04; A47B 57/265; A47B 57/565;  
 A47B 57/26  
 See application file for complete search history.

(56) **References Cited**  
 U.S. PATENT DOCUMENTS

D305,193 S	12/1989	Sajadieh	D622,553 S	8/2010	Bollenbacher
5,037,107 A	8/1991	McArthur et al.	D626,791 S	11/2010	Sierra
D334,265 S	3/1993	Giugiaro	D628,340 S	11/2010	Krause
5,368,203 A	11/1994	Friedrich et al.	D629,264 S	12/2010	Curtin
D362,780 S *	10/1995	Hampshire ..... D6/525	D632,138 S	2/2011	Carter
5,871,107 A	2/1999	Johnson et al.	D634,165 S	3/2011	Yang
6,065,632 A	5/2000	Moore, Jr. et al.	7,897,088 B2	3/2011	Mitchell
D448,299 S	9/2001	Negre	D640,248 S	6/2011	Baumann et al.
D481,236 S	10/2003	Hunt	D643,317 S	8/2011	Clear et al.
D483,587 S *	12/2003	Snell ..... D6/525	8,001,671 B2	8/2011	Mitchell
D497,777 S	11/2004	Sanders et al.	D646,852 S	10/2011	Chance et al.
D506,644 S	6/2005	Poupel et al.	D648,212 S	11/2011	Golota et al.
7,010,935 B2	3/2006	Citrynell et al.	D651,049 S	12/2011	Nakagawa
D540,623 S	4/2007	Schreiber-Pethan et al.	D651,467 S	1/2012	Bodum
D543,788 S	6/2007	Hong	D655,984 S	3/2012	Andreesen
D543,790 S	6/2007	Szymanski	D661,948 S	6/2012	Bangert
D551,502 S	9/2007	Bodum	D661,989 S	6/2012	Praster
D563,733 S	3/2008	Wang	D662,785 S	7/2012	Kern
D564,843 S	3/2008	Frank	D667,240 S	9/2012	Weldon
D564,844 S	3/2008	Schreiber-Pethan et al.	D676,710 S	2/2013	Kwok
D579,616 S	10/2008	Li	D679,528 S *	4/2013	Gilboe ..... D6/525
D581,279 S	11/2008	Oates	D680,812 S	4/2013	Justus et al.
D581,738 S	12/2008	Bodum	D685,230 S	7/2013	Hassman
D588,913 S	3/2009	Bakic	D685,608 S	7/2013	Bangert
D590,564 S	4/2009	Dretzka	D685,610 S	7/2013	Bangert
D593,882 S	6/2009	Scalisi	D697,309 S *	1/2014	Baldwin ..... D3/304
D594,277 S	6/2009	Snell	D698,568 S	2/2014	Chen
D607,616 S	1/2010	Newsome et al.	D711,239 S	8/2014	Julier
D611,769 S	3/2010	Hauser	D717,116 S	11/2014	Aslon
D612,732 S	3/2010	Takata et al.	D717,608 S	11/2014	Lin
D613,127 S	4/2010	Olivari	D718,532 S	12/2014	Wang
D613,999 S	4/2010	Sierra	D731,187 S *	6/2015	Thompson ..... D3/315
D614,917 S	5/2010	Calco	D734,610 S *	7/2015	Christie ..... D3/304
D620,764 S	8/2010	Lessells	2004/0173719 A1	9/2004	Mitchell et al.
D621,223 S	8/2010	Bas	2005/0056646 A1	3/2005	Gary
D621,665 S	8/2010	Lion et al.	2007/0131695 A1	6/2007	Hsing-Hsien
			2008/0060204 A1	3/2008	Chen
			2009/0166243 A1	7/2009	Cetera
			2010/0071395 A1	3/2010	LeDoux et al.
			2010/0206825 A1	8/2010	Johnston et al.
			2011/0024585 A1	2/2011	Brinkdopke et al.
			2015/0128491 A1	5/2015	Aller et al.
			2015/0158633 A1	6/2015	Aller et al.
			2015/0164003 A1	6/2015	Aller et al.

\* cited by examiner

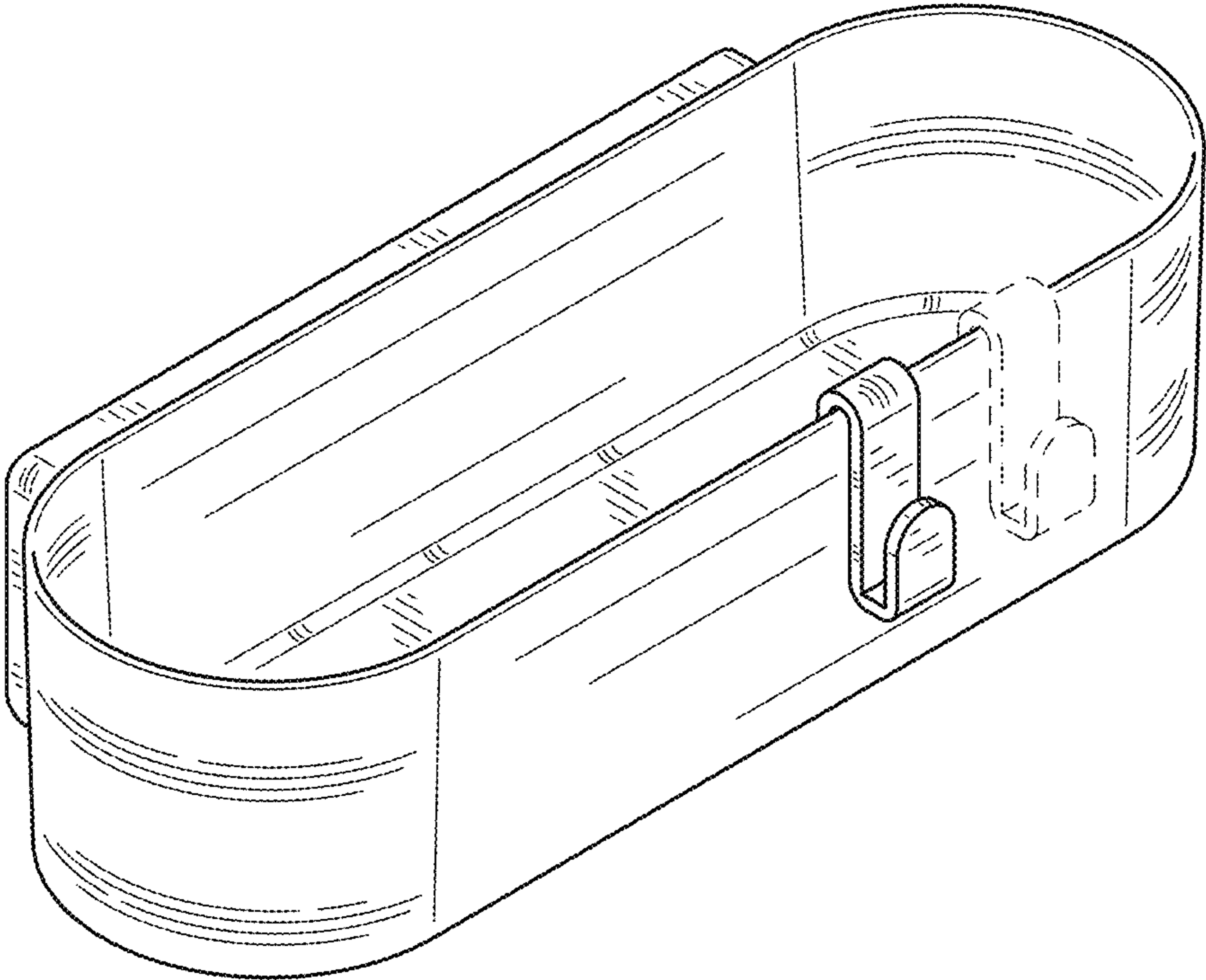


FIG.1

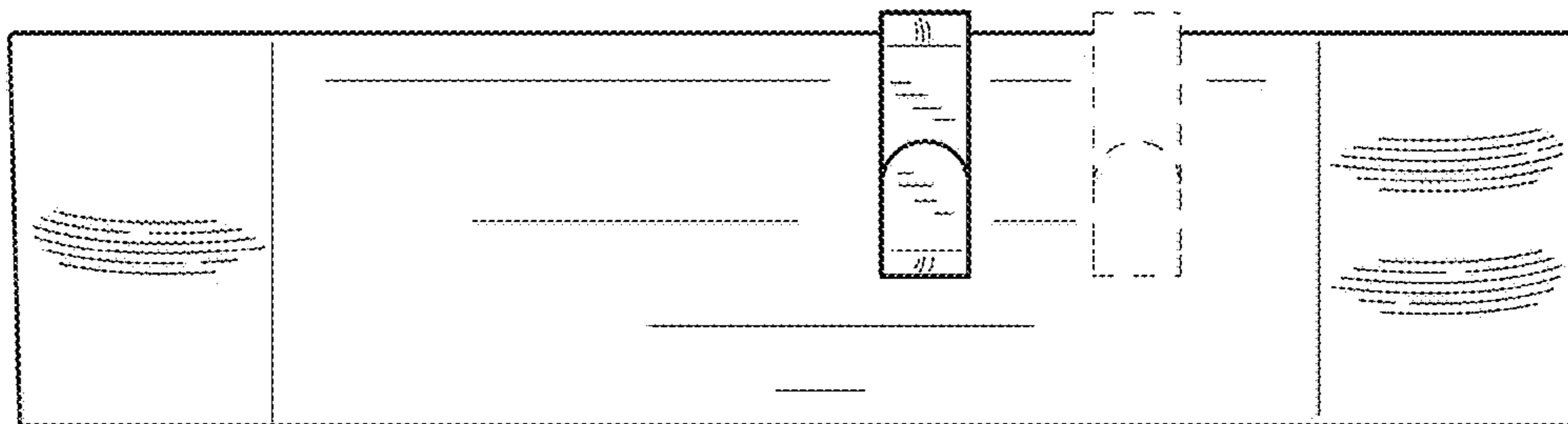


FIG. 2

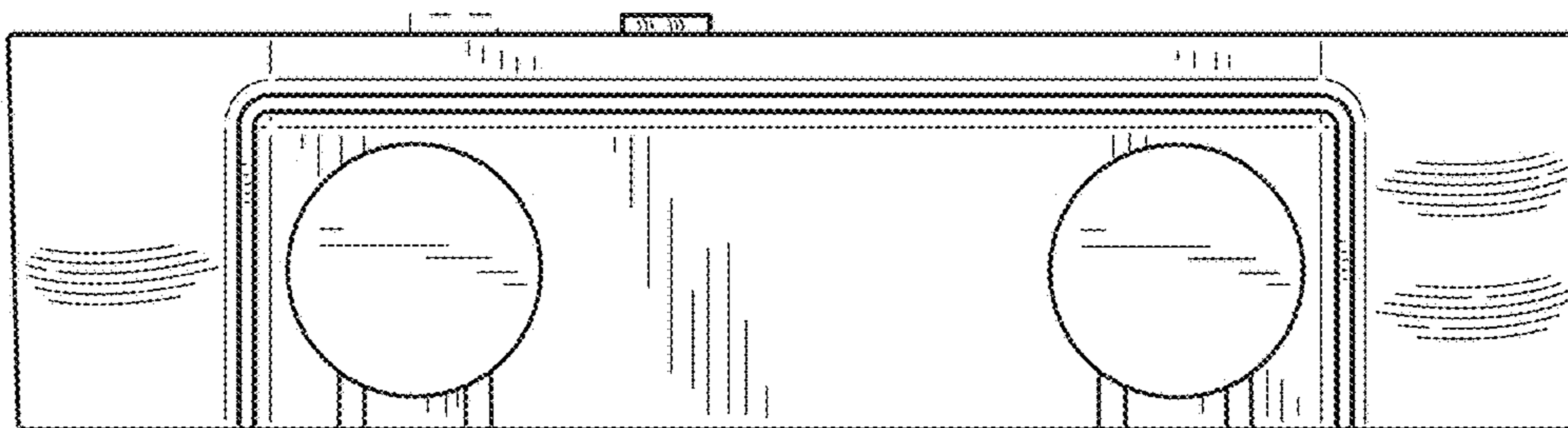


FIG. 3



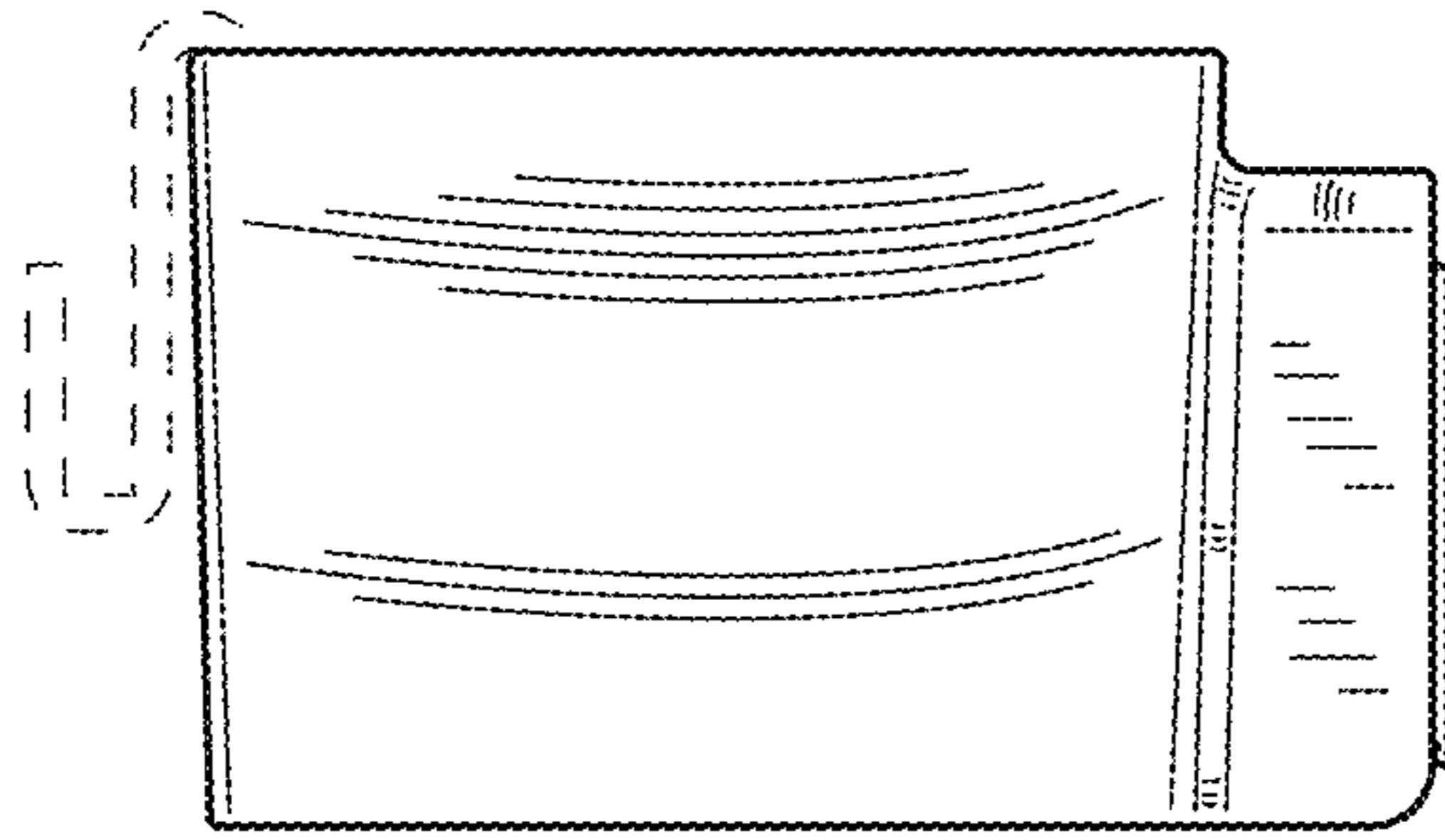


FIG. 4

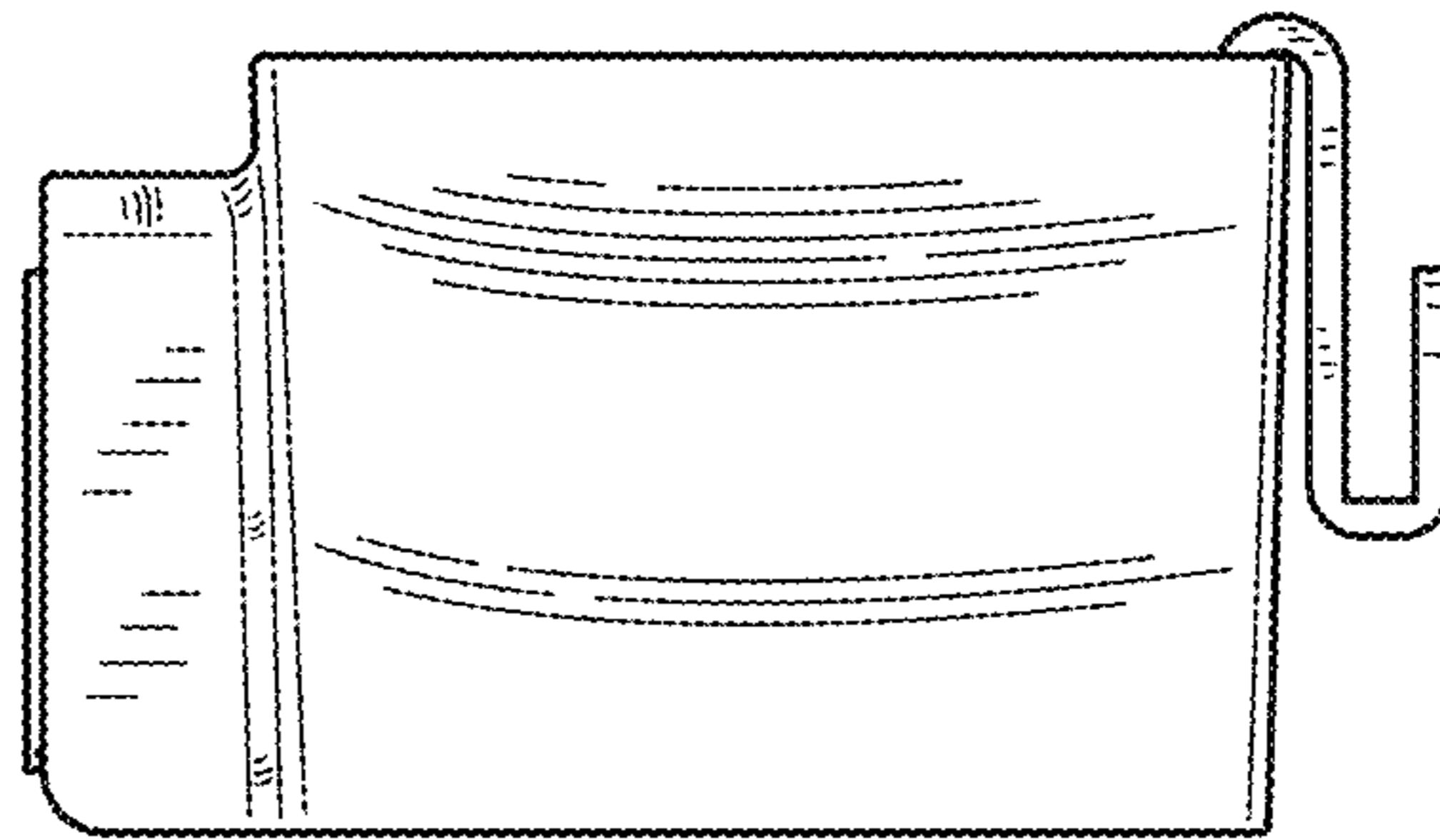


FIG. 5

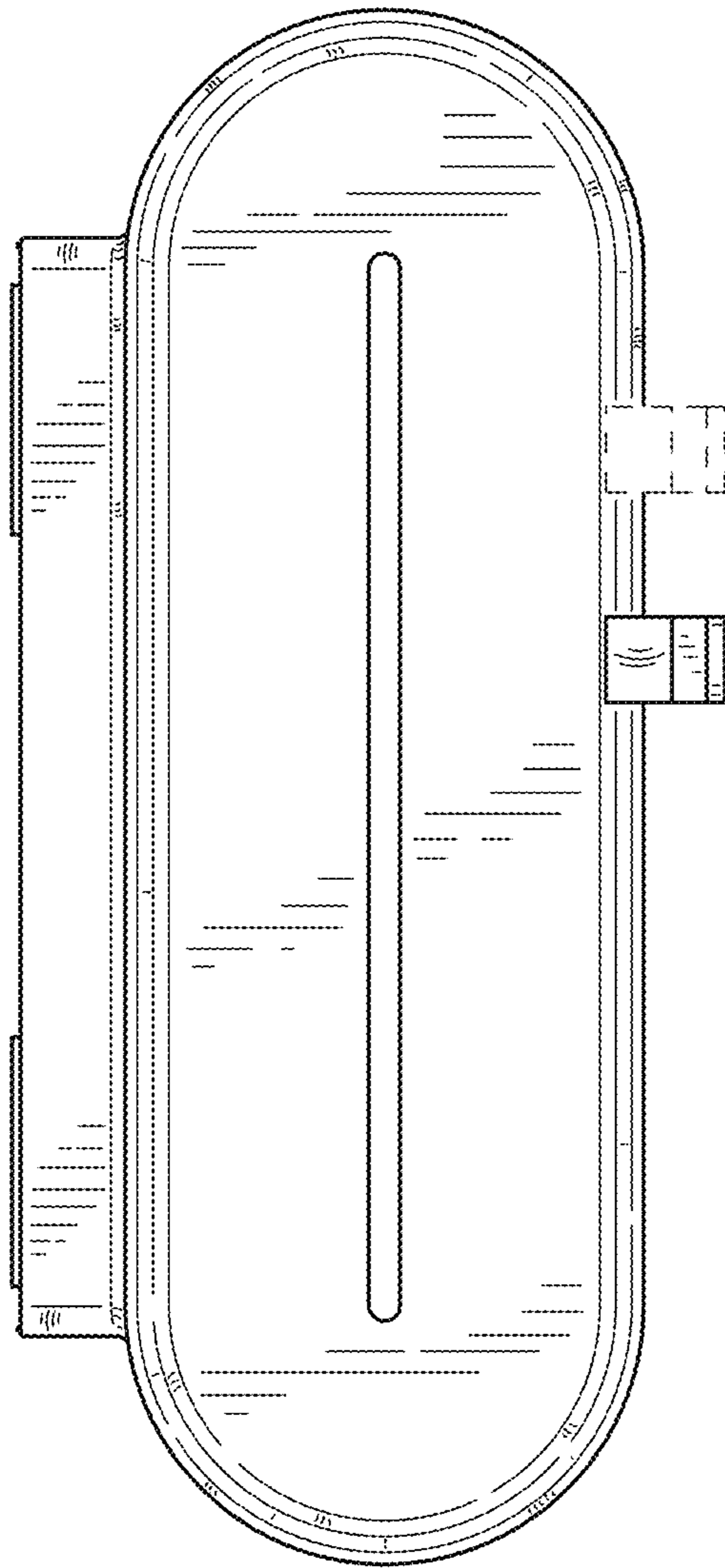


FIG.6

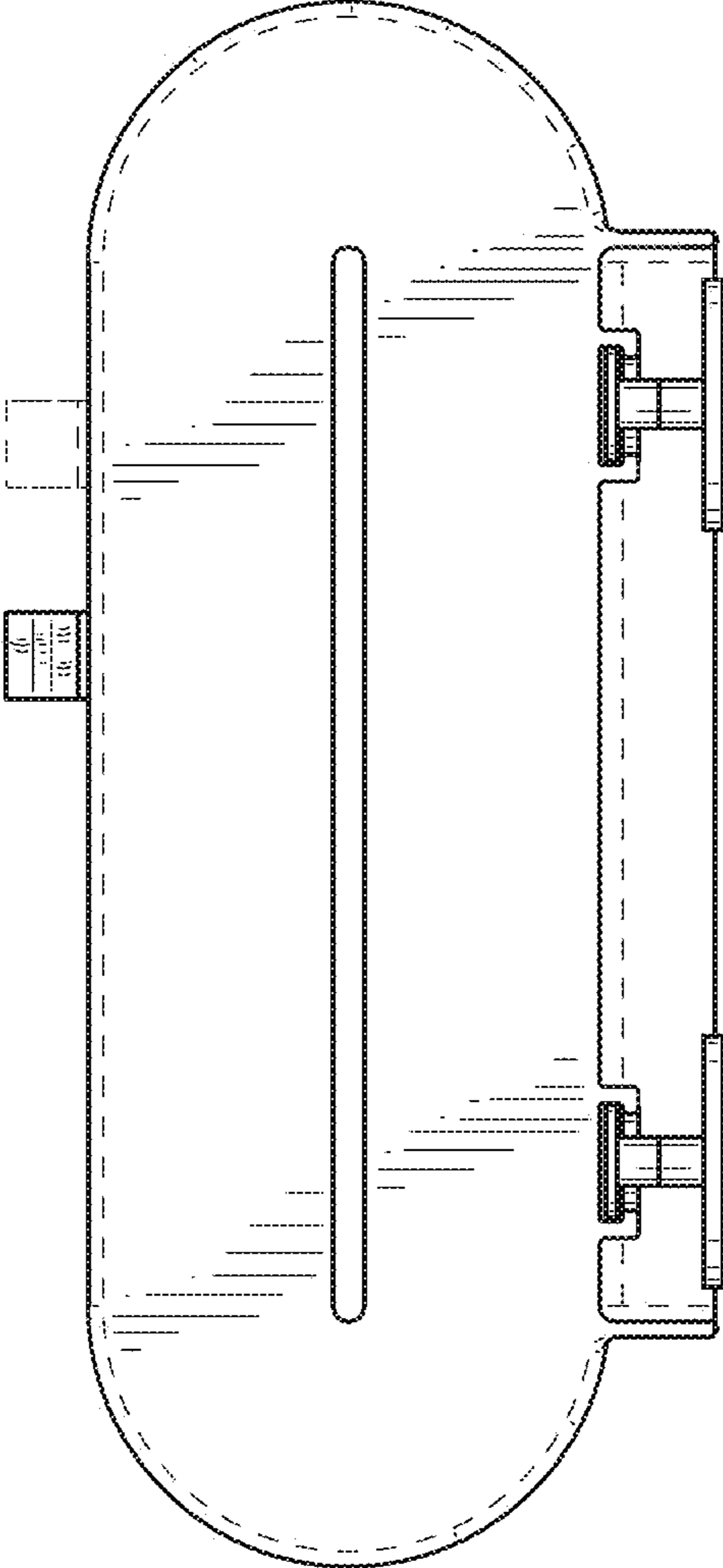


FIG.7

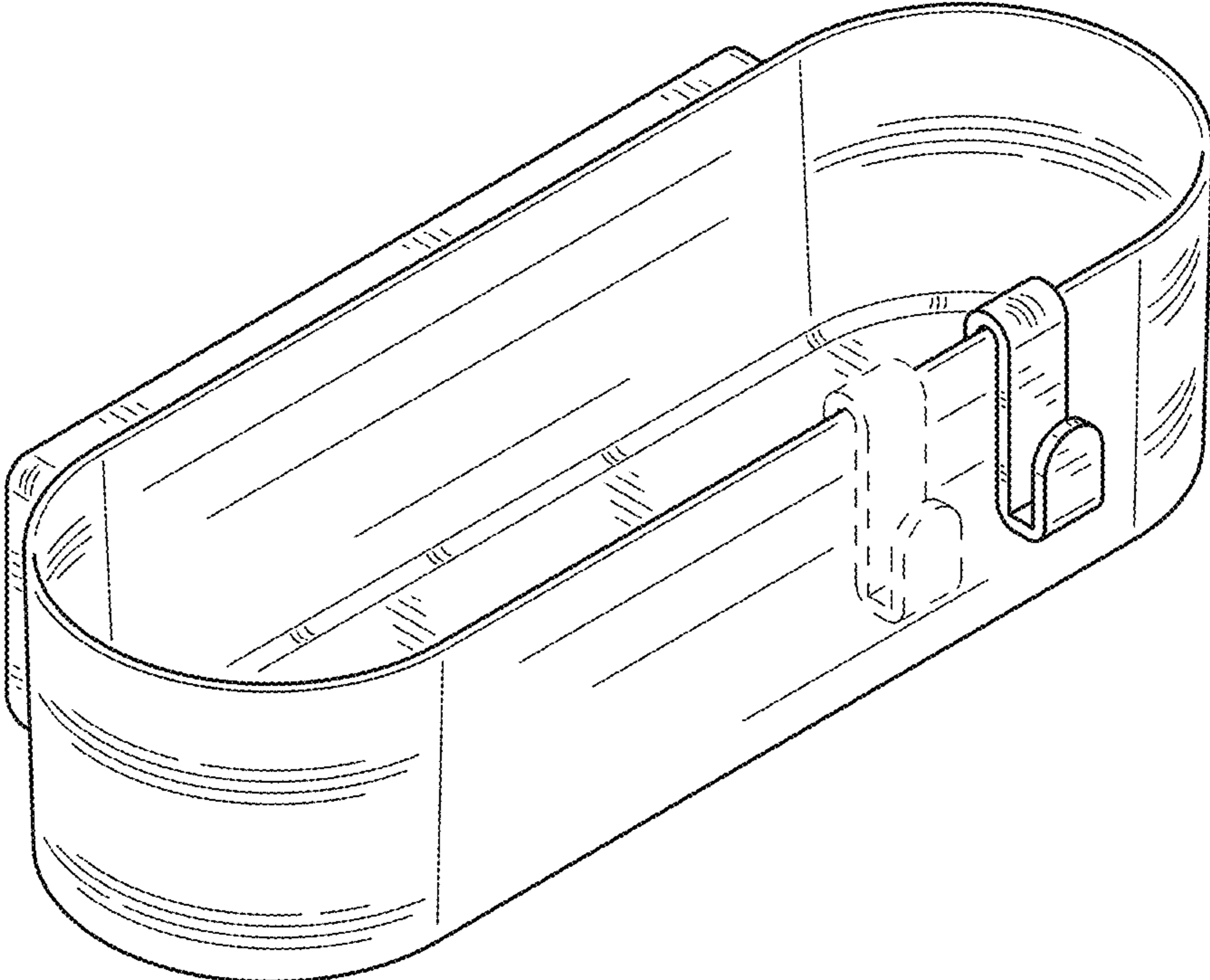


FIG.8



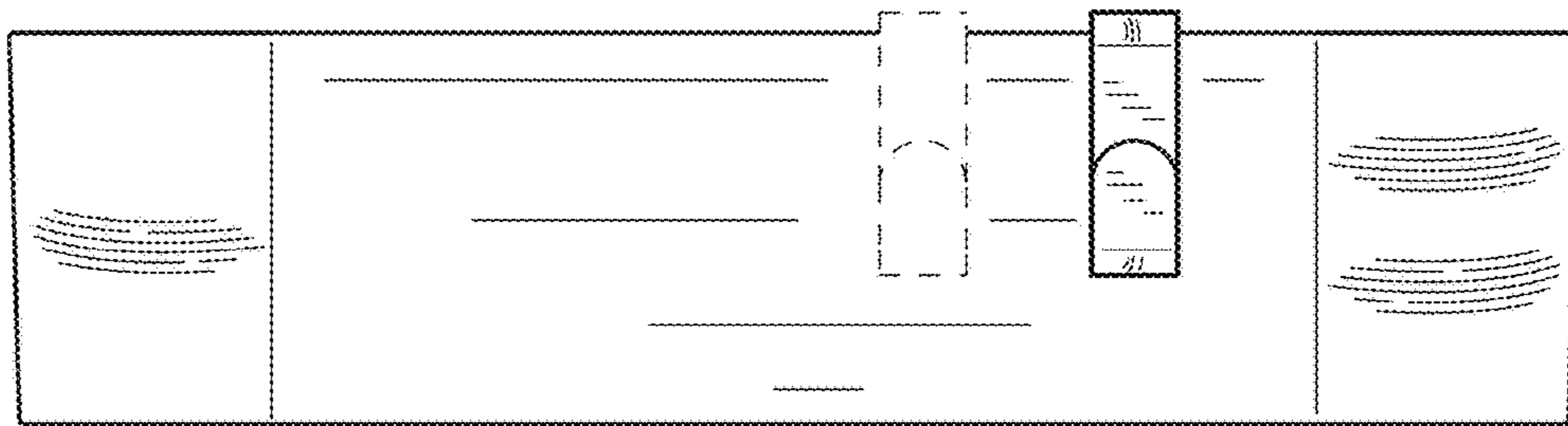


FIG. 9

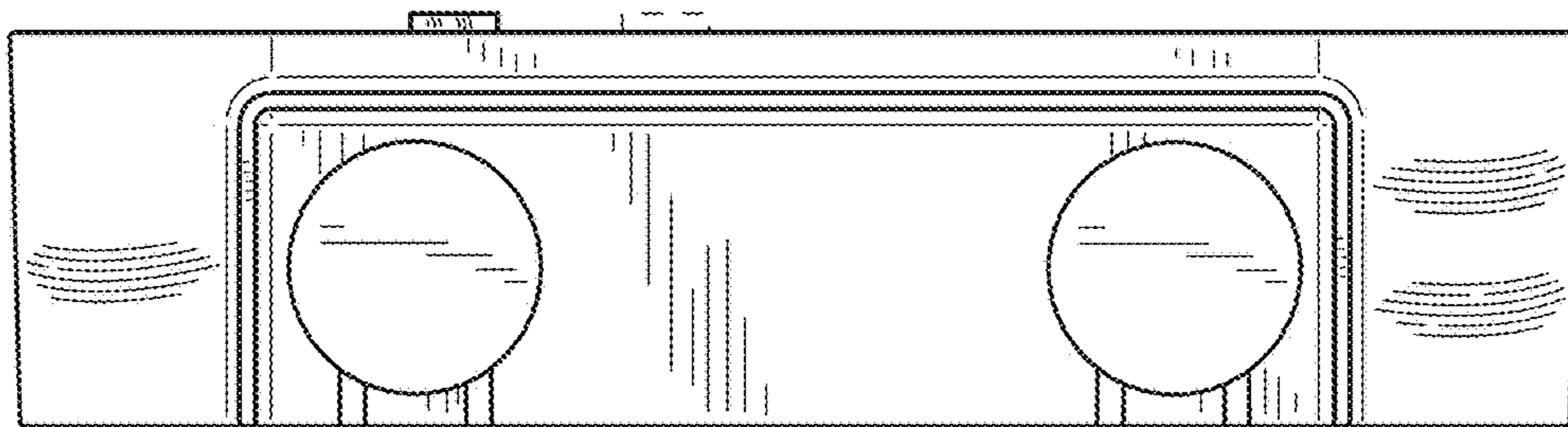


FIG. 10

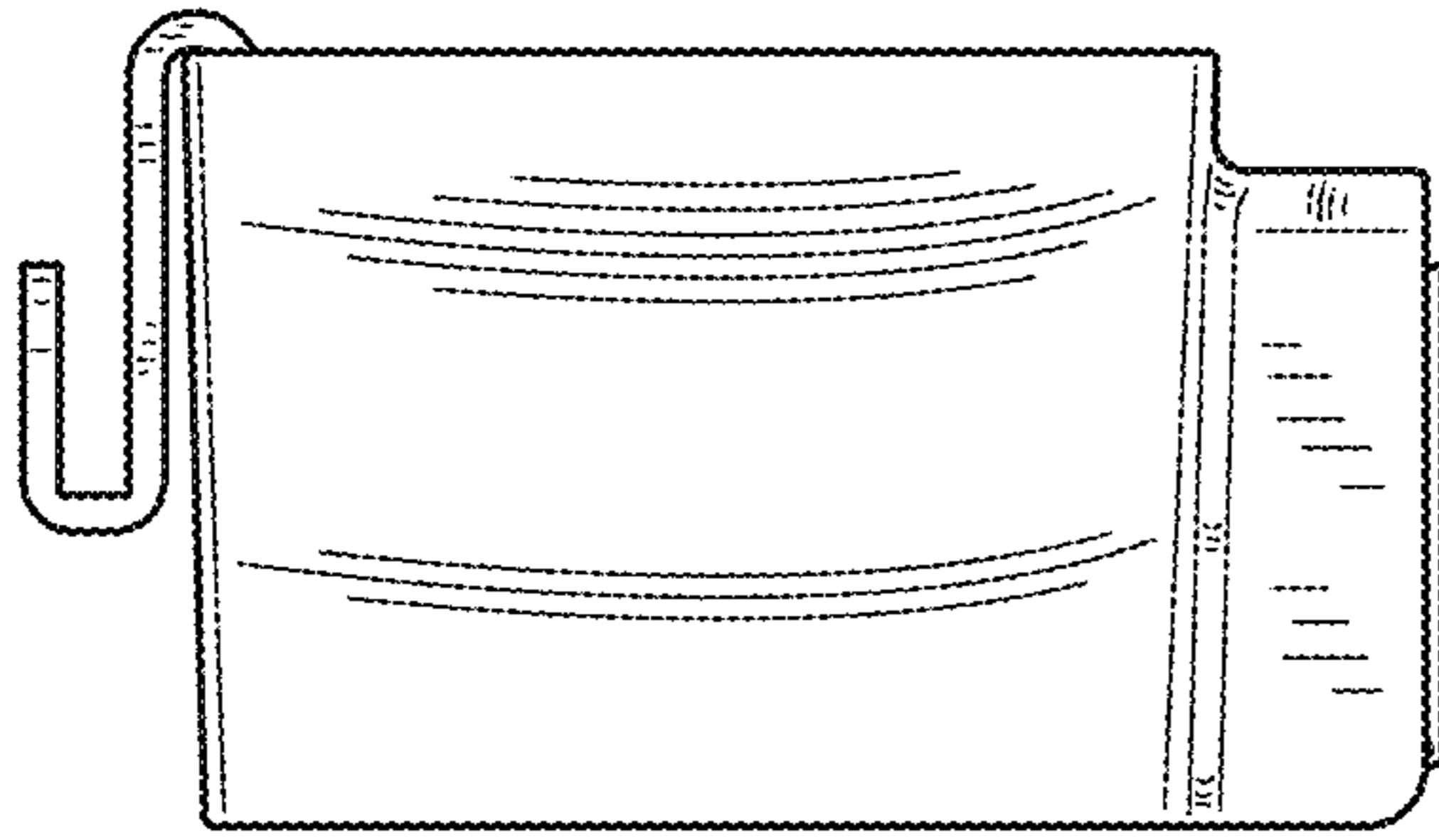


FIG.11

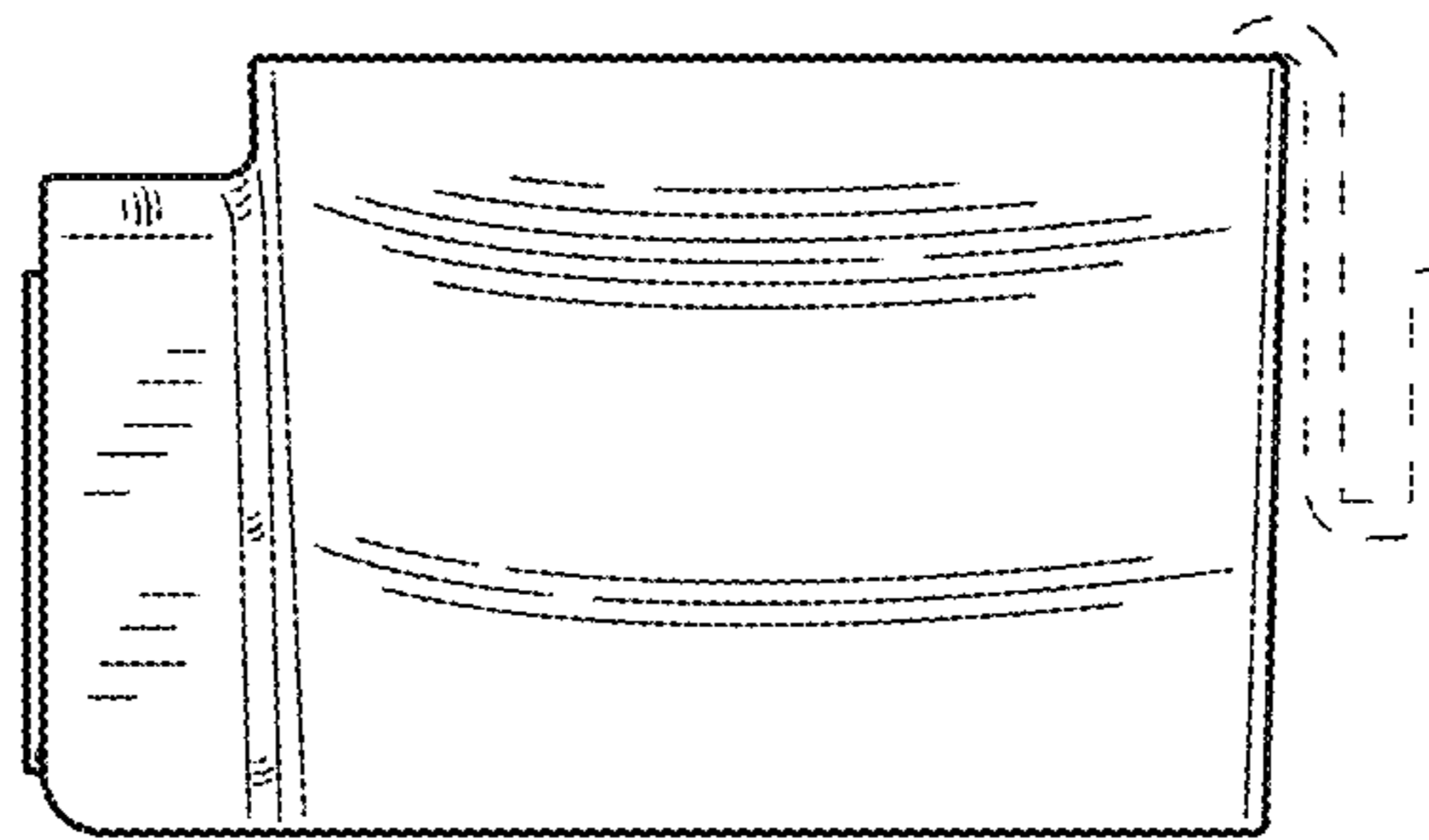


FIG.12

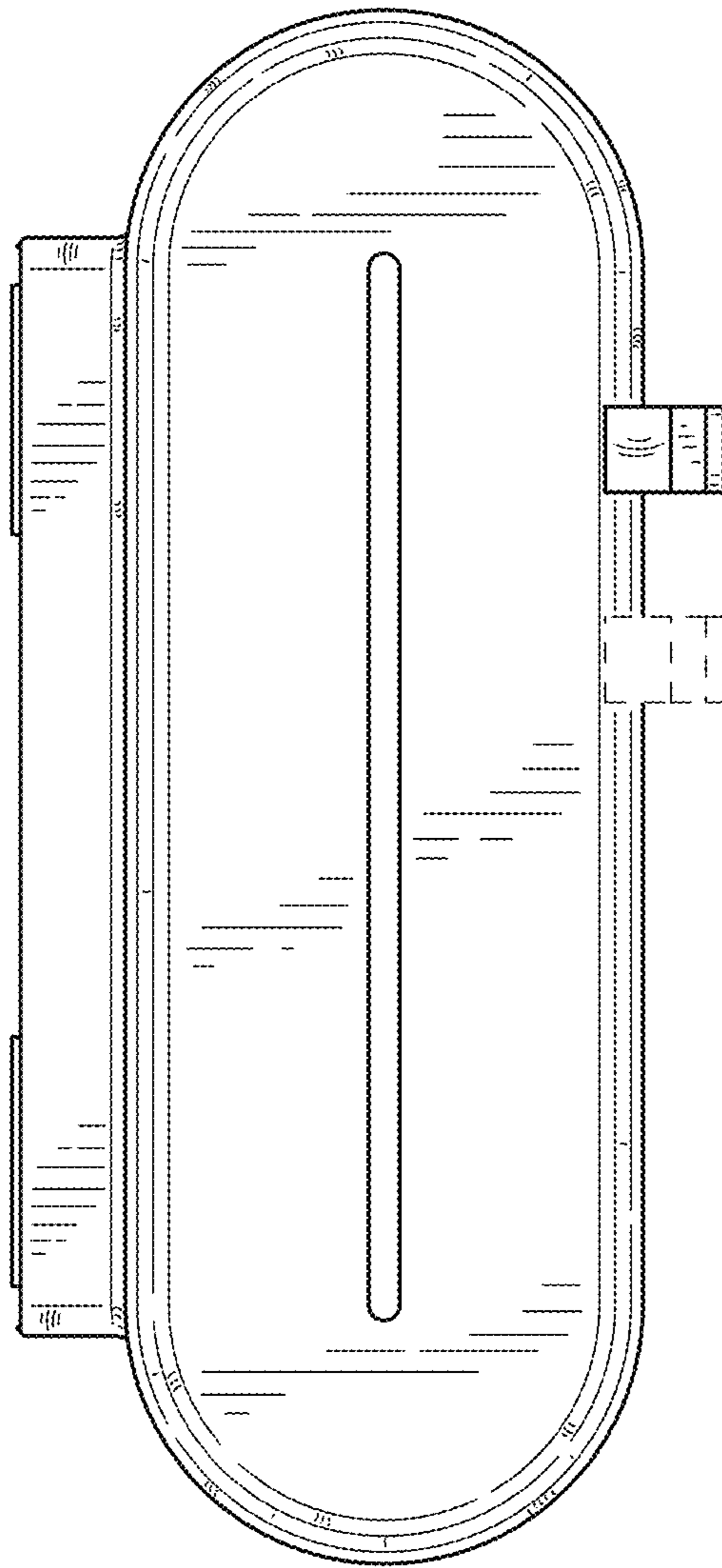


FIG.13

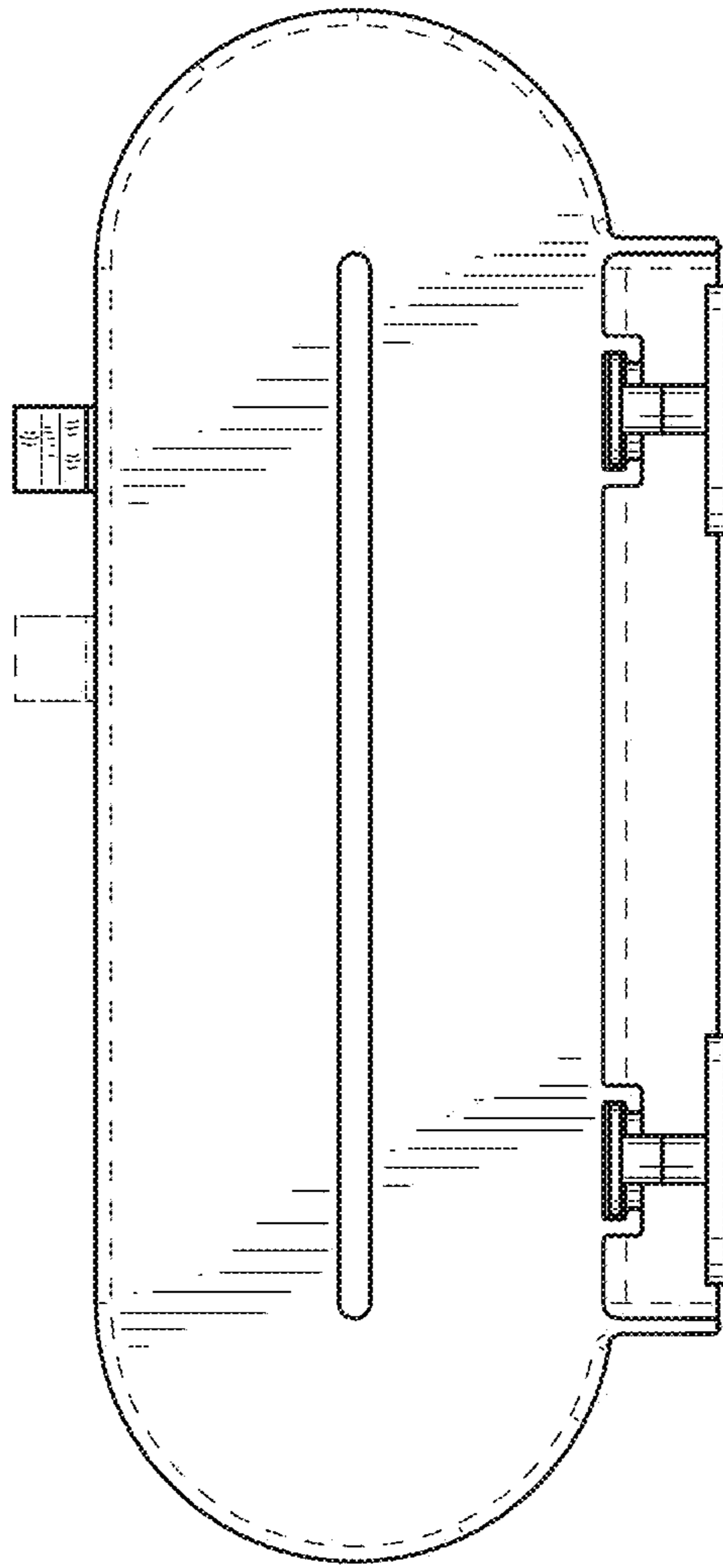


FIG.14