



US00D781068S

(12) **United States Design Patent**  
**Brownley et al.**

(10) **Patent No.:** **US D781,068 S**

(45) **Date of Patent:** **\*\* Mar. 14, 2017**

(54) **DISPENSER RESERVOIR**

(71) Applicant: **GOJO Industries, Inc.**, Akron, OH  
(US)

(72) Inventors: **David Brownley**, Hudson, OH (US);  
**Matthew Hern**, Malibu, CA (US);  
**Anthony Seitz**, University Heights, OH  
(US)

(73) Assignee: **GOJO Industries, Inc.**, Akron, OH  
(US)

(\*\*) Term: **15 Years**

(21) Appl. No.: **29/561,238**

(22) Filed: **Apr. 14, 2016**

(51) **LOC (10) Cl.** ..... **23-02**

(52) **U.S. Cl.**  
USPC ..... **D6/545**

(58) **Field of Classification Search**  
USPC ..... D6/545, 542-544; 221/208, 282, 283;  
222/105, 173, 180  
CPC ..... B01L 3/52; B05B 11/3014; B05B 9/0403;  
B05B 9/0426; C11D 17/08; A45D 19/02;  
A47K 5/12; A47K 5/1202; A47K 5/1211;  
B67D 7/0255; B01F 15/0243; B01F  
15/0254; B01F 5/12; B01F 5/20; B05D  
5/00

See application file for complete search history.

(56) **References Cited**

**U.S. PATENT DOCUMENTS**

D332,544 S \* 1/1993 Steiner ..... D6/545  
D592,899 S \* 5/2009 Dukes ..... D6/545

D628,419 S \* 12/2010 Petrucelli ..... D6/542  
D705,571 S \* 5/2014 Middendorp ..... D6/545  
D725,936 S \* 4/2015 Buell ..... D6/545  
D733,456 S \* 7/2015 Buell ..... D6/545

\* cited by examiner

*Primary Examiner* — Wan Laymon  
*Assistant Examiner* — Mark Booker

(57) **CLAIM**

The ornamental design for a dispenser reservoir, as shown and described.

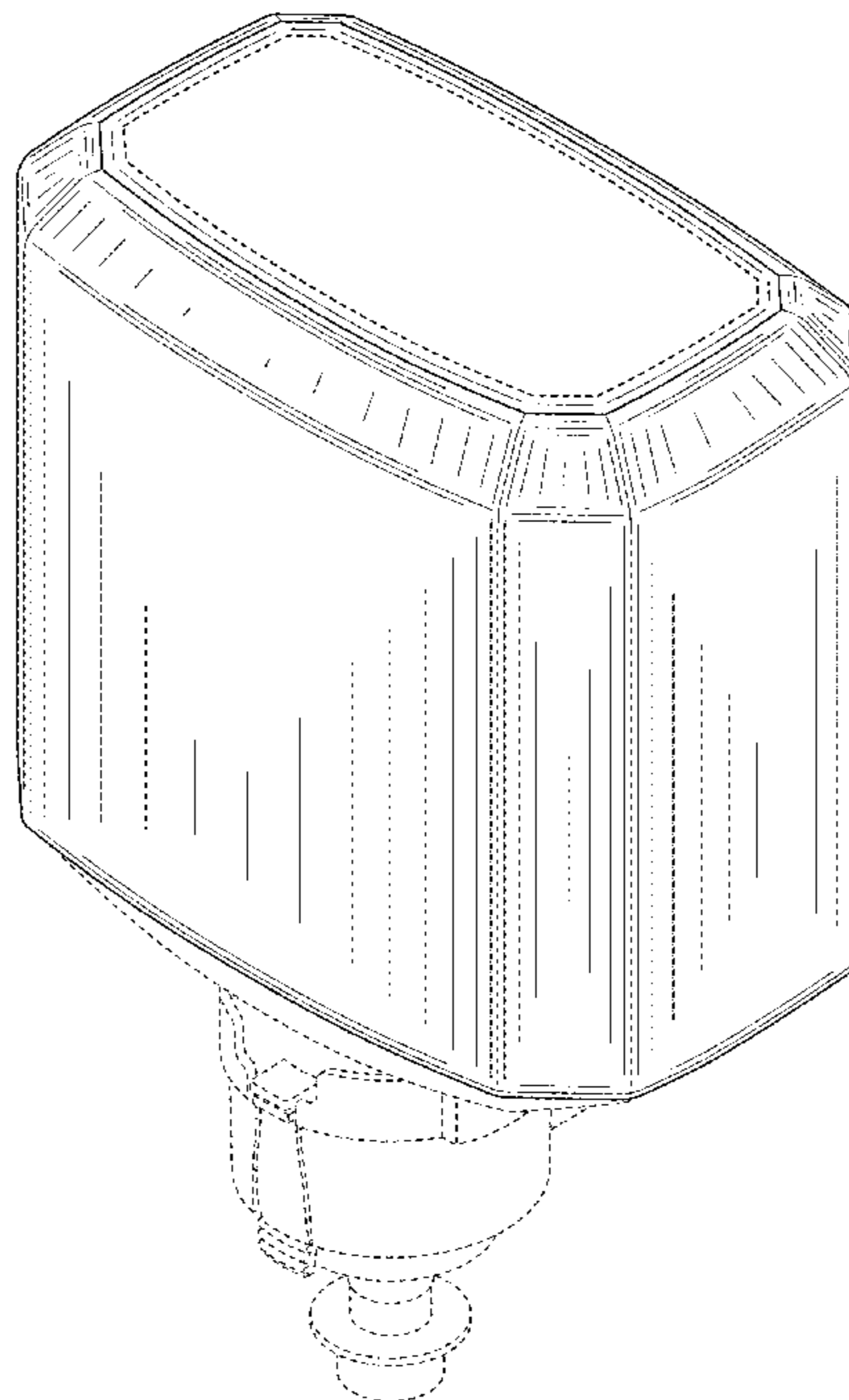
**DESCRIPTION**

FIG. 1 is a perspective view of a dispenser reservoir of the new design;  
FIG. 2 is a front elevational view of the dispenser reservoir of FIG. 1;  
FIG. 3 is a rear elevational view of the dispenser reservoir of FIG. 1;  
FIG. 4 is a right elevational view of the dispenser reservoir of FIG. 1;  
FIG. 5 is a left elevational view of the dispenser reservoir of FIG. 1;  
FIG. 6 is a top plan view of the dispenser reservoir of FIG. 1; and,  
FIG. 7 is a bottom plan view of the dispenser reservoir of FIG. 1.

The broken lines shown in the figures represent portions of the dispenser reservoir that form no part of the claimed design.

The broken line showing immediately adjacent the shaded areas represents boundaries to the claimed design and forms no part of the claimed design.

**1 Claim, 6 Drawing Sheets**



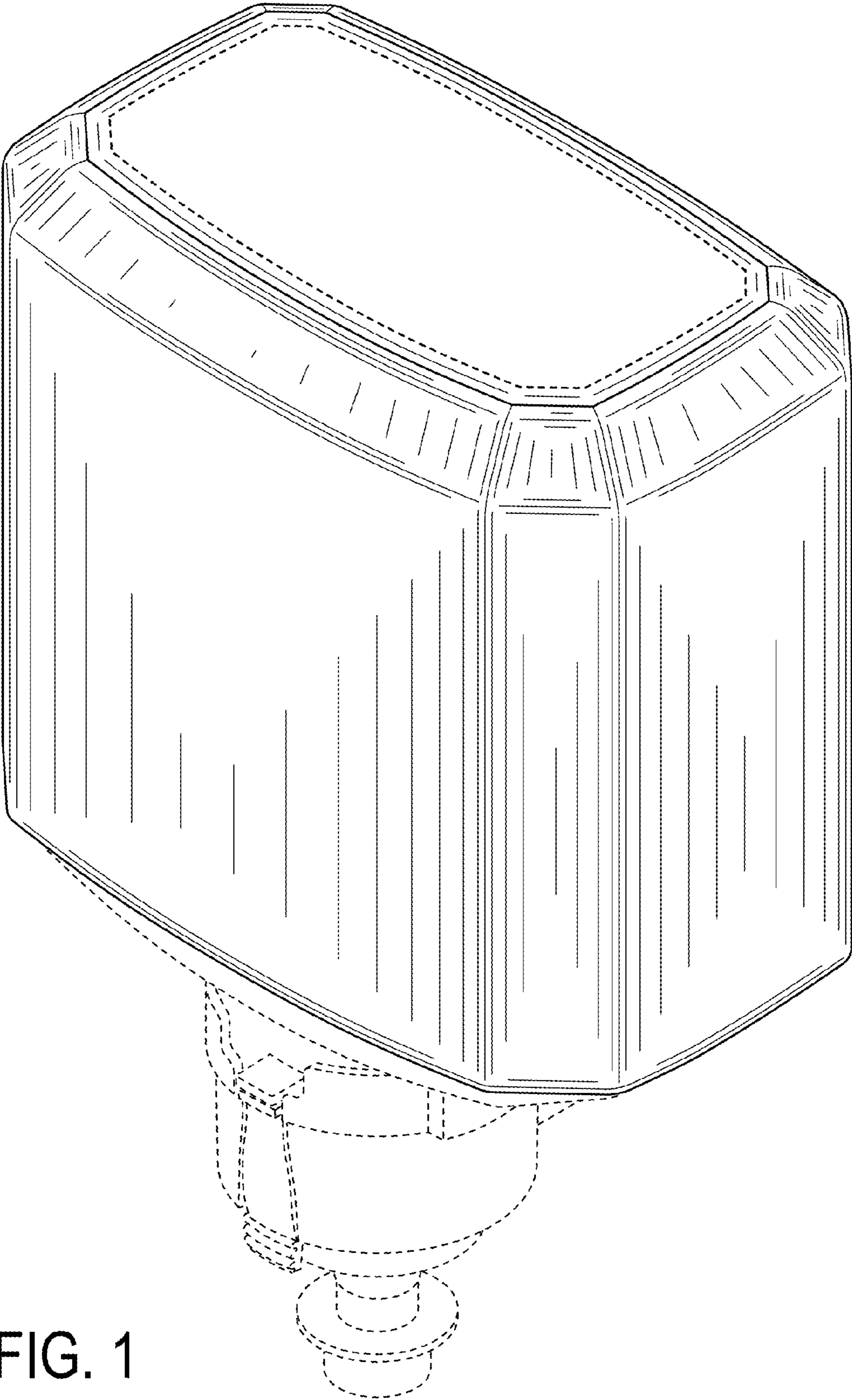


FIG. 1

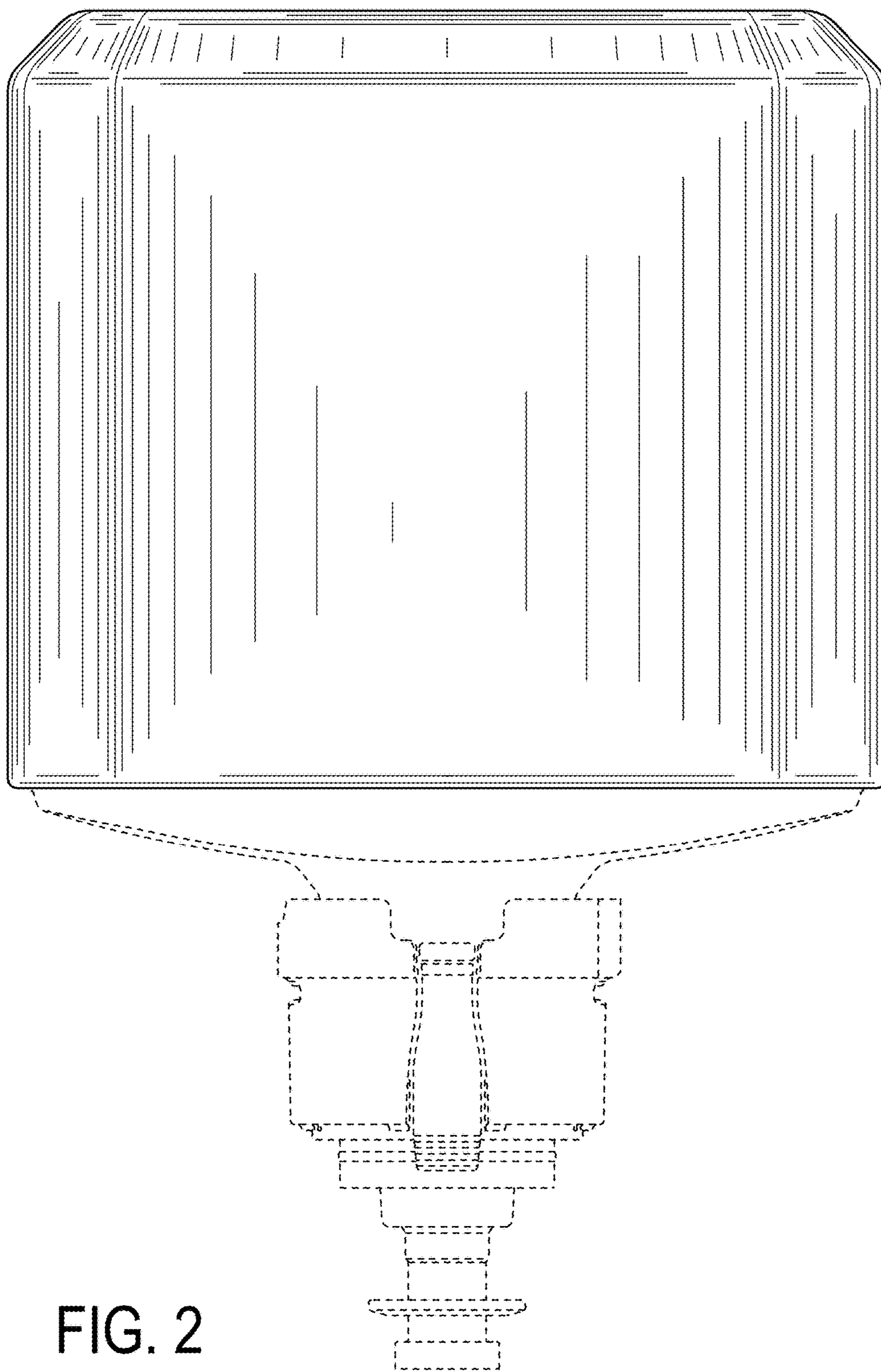


FIG. 2

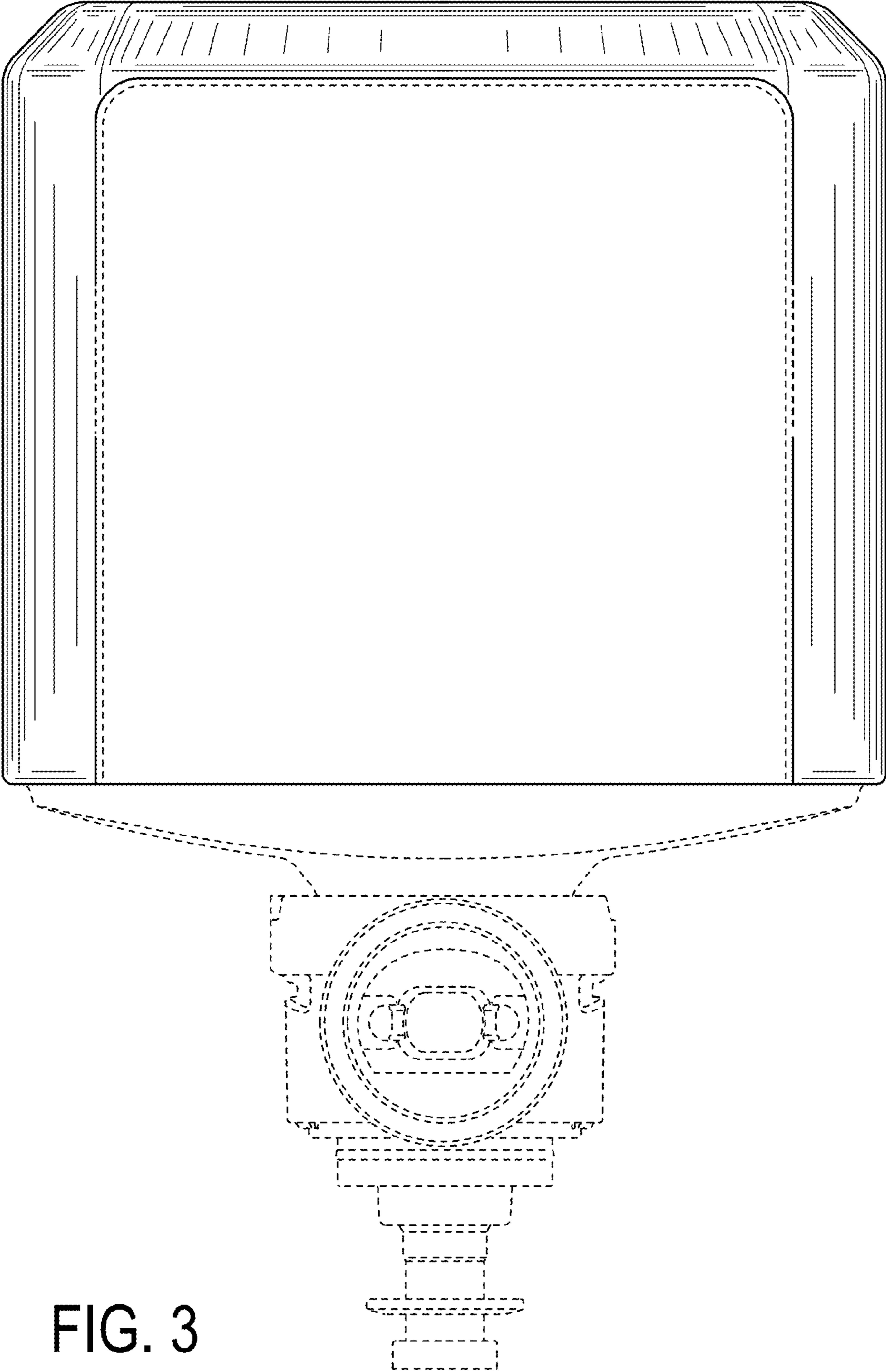


FIG. 3

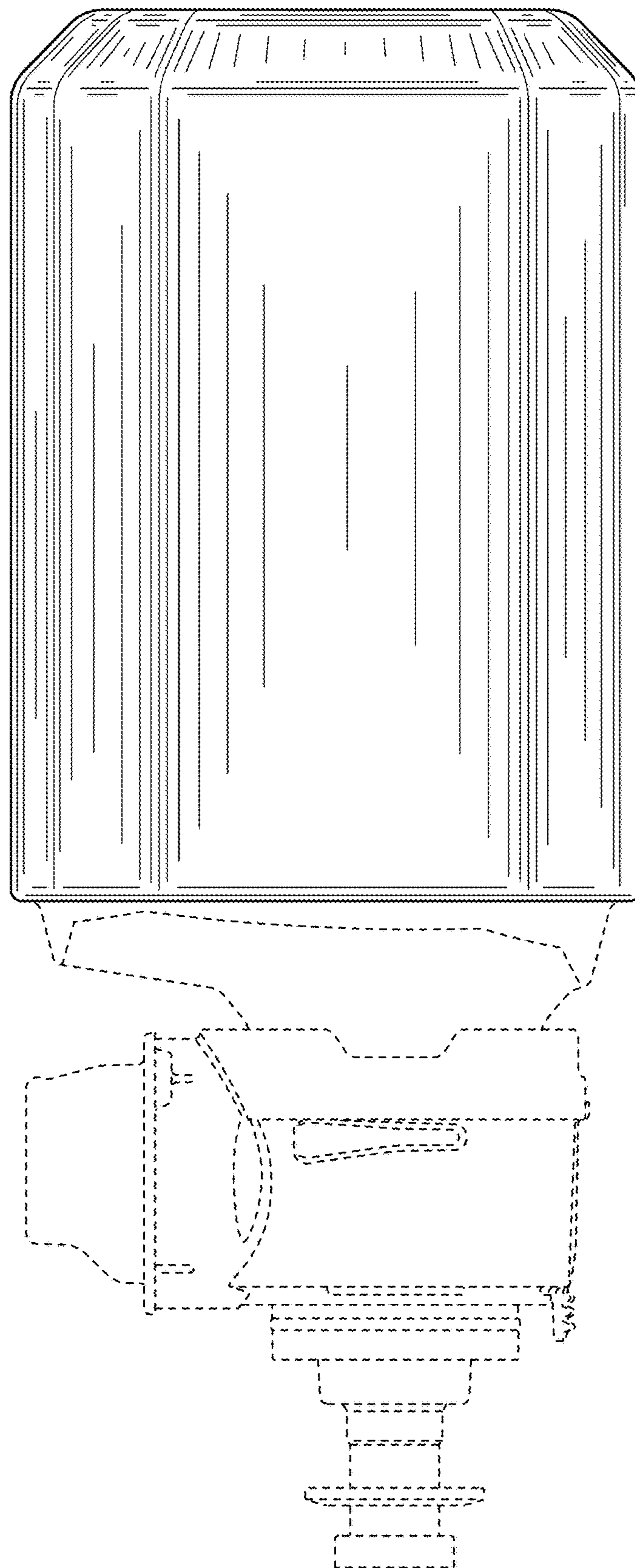


FIG. 4

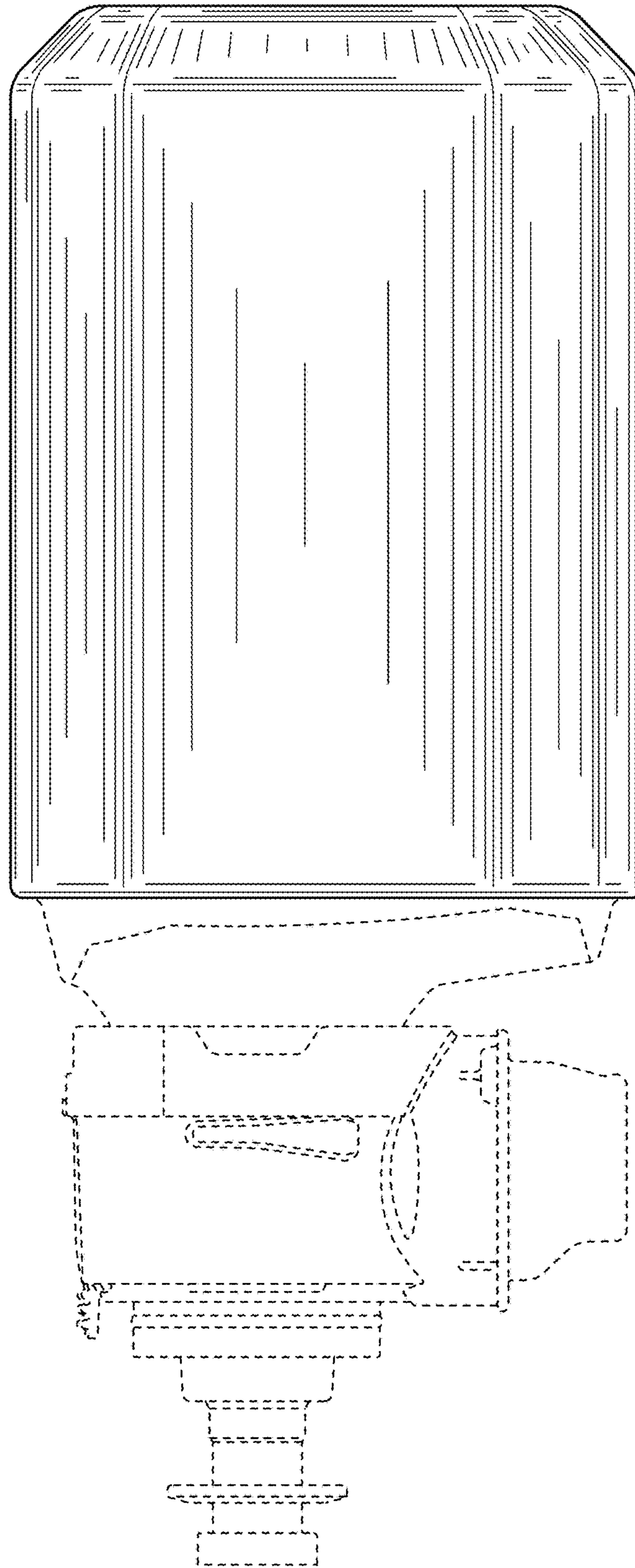


FIG. 5

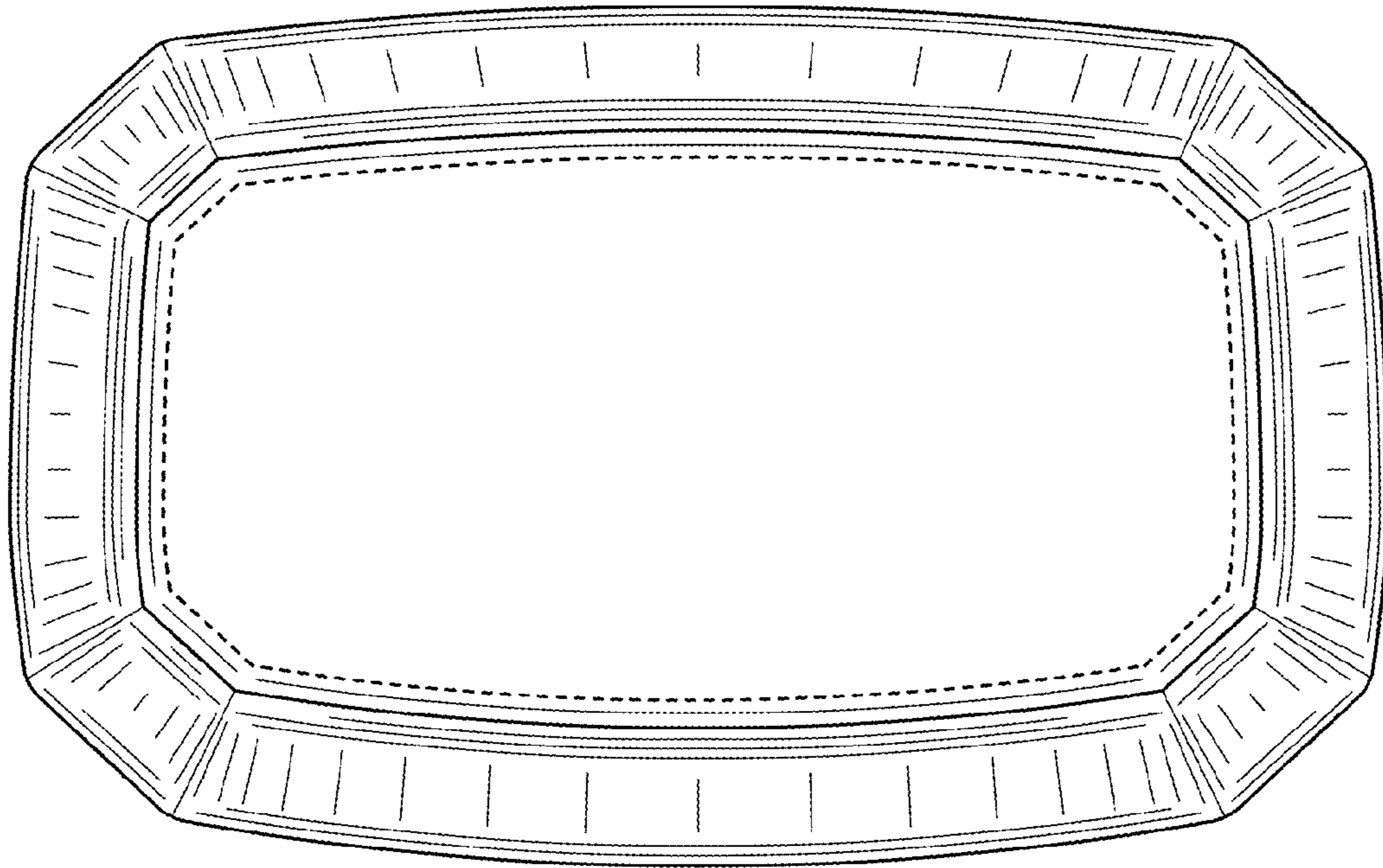


FIG. 6

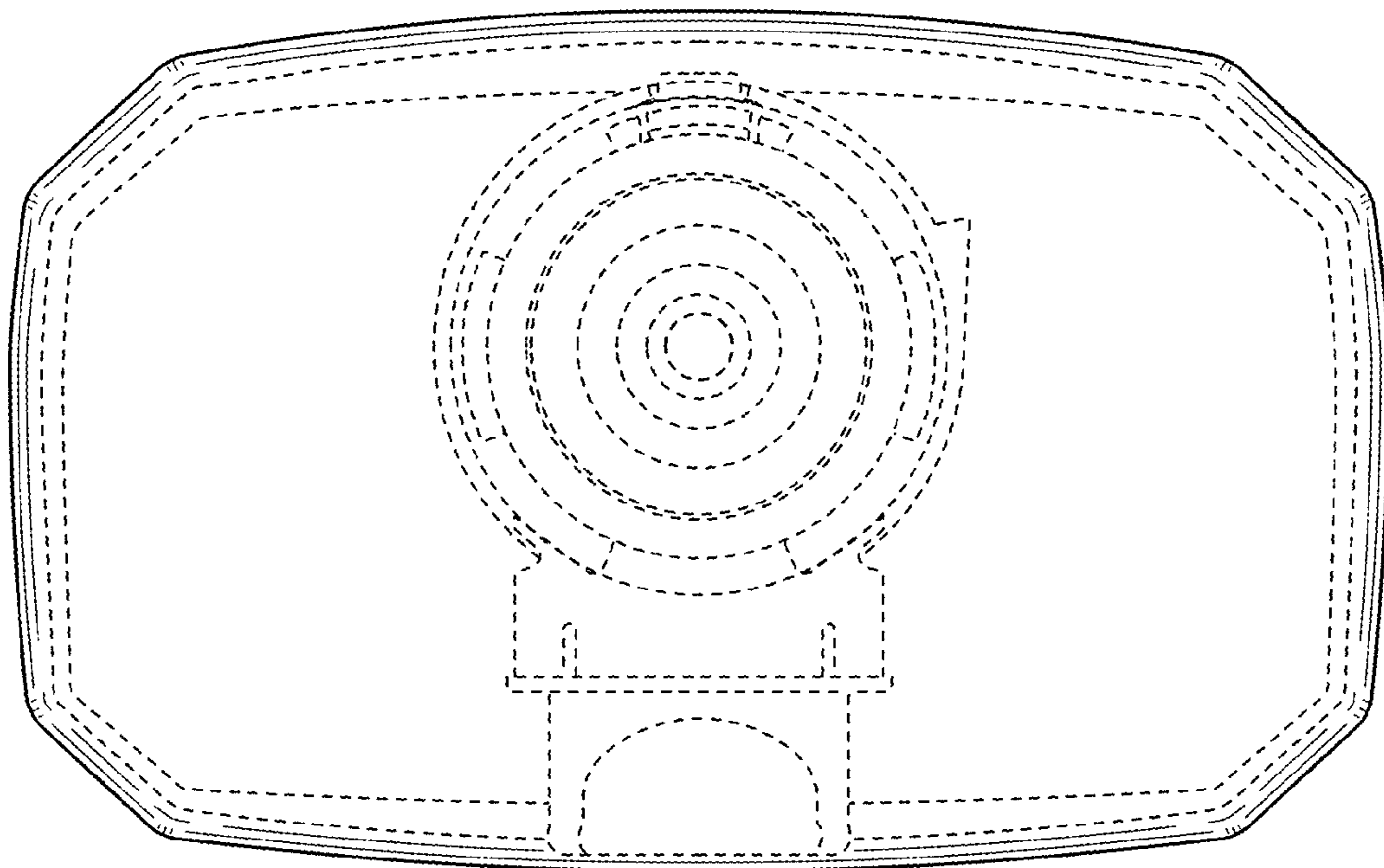


FIG. 7