



US00D781067S

(12) **United States Design Patent**
Cross et al.

(10) **Patent No.:** **US D781,067 S**
(45) **Date of Patent:** **** Mar. 14, 2017**

- (54) **DISPENSER**
- (71) Applicant: **Georgia-Pacific Consumer Products LP**, Atlanta, GA (US)
- (72) Inventors: **Brandon Seth Cross**, Atlanta, GA (US); **Nathan Patrick Roche**, Atlanta, GA (US); **Niklas Gustafsson**, Scarsdale, NY (US); **Larisa Schulze**, Portland, OR (US); **Joel Eric Tetreault**, Roswell, GA (US)
- (73) Assignee: **Georgia-Pacific Consumer Products LP**, Atlanta, GA (US)
- (**) Term: **15 Years**
- (21) Appl. No.: **29/539,549**
- (22) Filed: **Sep. 15, 2015**
- (51) **LOC (10) Cl.** **20-02**
- (52) **U.S. Cl.**
USPC **D6/520**
- (58) **Field of Classification Search**
USPC D6/515-518, 546-550, 520; 108/28-29; 211/13.1, 16, 60.1, 86.01, 88.04, 100, 211/105.1, 105.2, 123, 181.1, 182; 248/175, 176.1, 251, 302; 16/110.1, 415; 242/570, 590, 595-598
CPC A47K 10/3836; A47K 2010/3253; A47K 2010/3206
See application file for complete search history.

- D316,789 S * 5/1991 McLaughlin D6/522
 - D335,412 S * 5/1993 Howard D6/522
 - D339,705 S * 9/1993 Howard D6/522
 - D384,531 S * 10/1997 Mervar D6/520
 - 5,680,978 A * 10/1997 Pinion B65D 85/672
220/230
 - 5,813,624 A 9/1998 Grasso et al.
 - 5,868,342 A * 2/1999 Moody A47K 10/38
242/560
 - D419,015 S 1/2000 Umemoto
 - D419,805 S * 2/2000 Fluegge D6/522
- (Continued)

OTHER PUBLICATIONS

Youtube.com, Geogia-Pacific's Compact Side by Side Bathh Tissue Dispenser, Oct. 10, 2014; https://www.youtube.com/watch?v=fTMexyRM-co.*

(Continued)

Primary Examiner — David Muller

Assistant Examiner — Nathan Johnston

(74) *Attorney, Agent, or Firm* — Alston & Bird LLP

(57) **CLAIM**

We claim the ornamental design for a dispenser, as shown and described.

DESCRIPTION

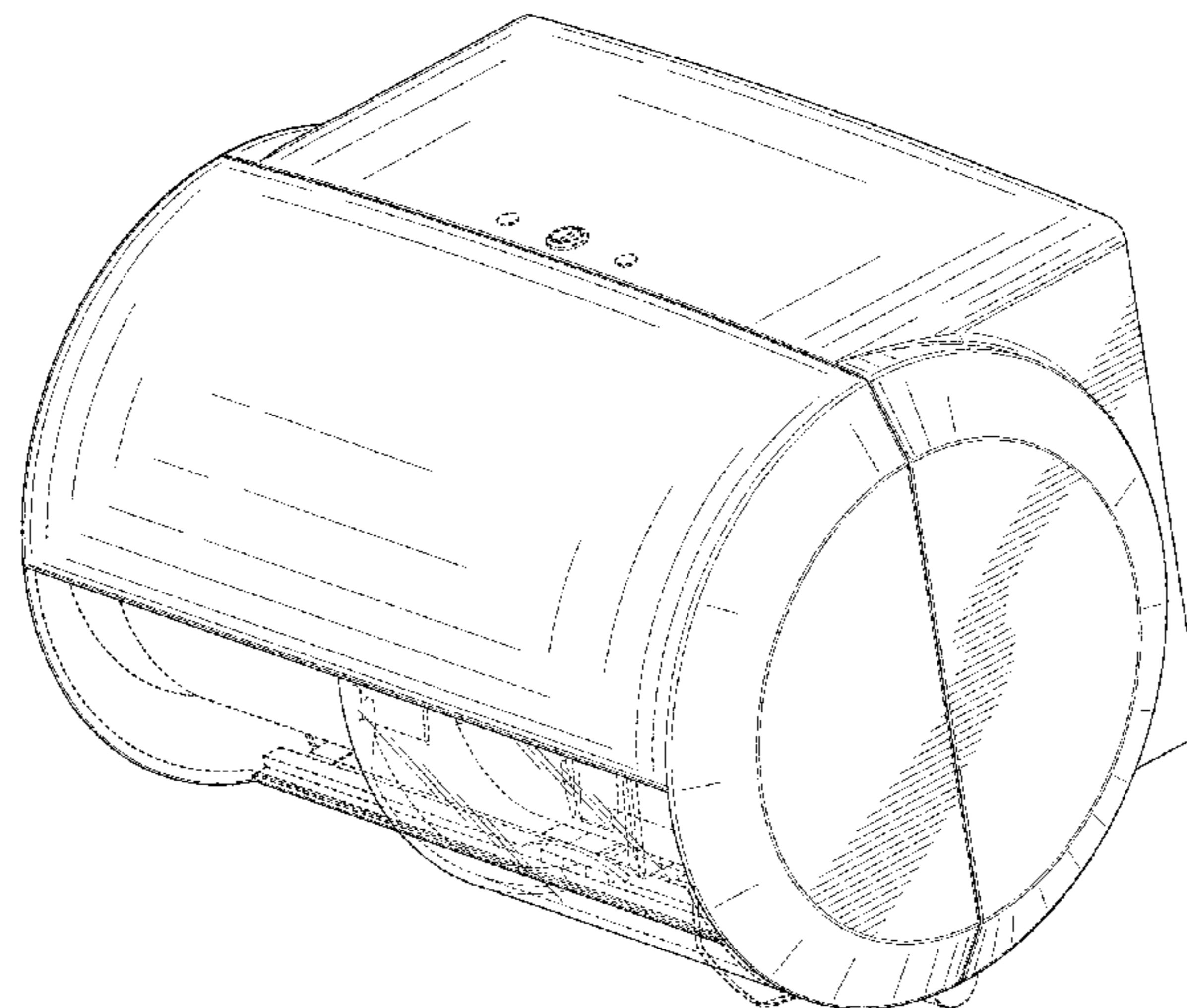
FIG. 1 is a perspective view of a dispenser showing our new design;
FIG. 2 is a front elevation view thereof;
FIG. 3 is a rear elevation view thereof;
FIG. 4 is a right side elevation view thereof;
FIG. 5 is a left side elevation view thereof;
FIG. 6 is a top plan view thereof; and,
FIG. 7 is a bottom plan view thereof.
The broken lines are directed to unclaimed features and form no part of the claimed design.

1 Claim, 7 Drawing Sheets

(56) **References Cited**

U.S. PATENT DOCUMENTS

- D156,646 S 6/1948 Mell
- D166,782 S * 5/1952 Weskna D6/523
- 2,840,319 A 5/1956 Danko
- D212,010 S 8/1968 Tucker
- D247,465 S * 3/1978 Ford D6/523
- D312,179 S 11/1990 De Luca et al.



(56)

References Cited

U.S. PATENT DOCUMENTS

D422,437 S * 4/2000 Conran D6/518
 6,056,233 A 5/2000 Von Schenk
 6,202,956 B1 * 3/2001 Grasso A47K 10/3836
 242/560
 D441,228 S 5/2001 Andersson
 D452,788 S * 1/2002 Neiberger D6/518
 6,382,552 B1 * 5/2002 Paul A47K 10/3827
 242/594.5
 6,536,707 B2 * 3/2003 Adelakun A47K 10/38
 242/160.1
 D480,901 S * 10/2003 Millington D6/518
 D488,654 S * 4/2004 Omdoll D6/518
 7,083,138 B2 * 8/2006 Elliott A47K 10/38
 242/560
 D543,402 S 5/2007 Goeking et al.
 D543,745 S 6/2007 Goeking et al.
 D547,581 S 7/2007 Cittadino et al.
 D550,999 S 9/2007 Formon et al.
 D551,474 S 9/2007 Cittadino et al.
 D556,482 S 12/2007 Goeking et al.
 7,311,221 B2 * 12/2007 Serfaty A47K 10/32
 221/283
 D571,134 S * 6/2008 Collado D6/518
 D571,135 S * 6/2008 Collado D6/518
 D572,058 S 7/2008 Cittadino et al.
 D603,635 S * 11/2009 Krebs D6/518
 D609,039 S * 2/2010 Serfaty D6/518
 D613,537 S 4/2010 Pattberg
 D615,332 S 5/2010 Meyerhoffer
 D623,452 S 9/2010 McNeely et al.
 D653,887 S * 2/2012 Guerin D6/518
 D667,661 S 9/2012 Norton
 8,287,020 B1 * 10/2012 Guerin A45C 11/00
 294/148
 D695,542 S 12/2013 Niada
 D719,373 S 12/2014 Hawry et al.
 D761,585 S * 7/2016 Roche D6/520
 2016/0037979 A1 * 2/2016 Mattheuussen A47K 10/38
 242/422.1

OTHER PUBLICATIONS

Amazon.com, GP Compact Splash Blue Side-By-Side Double Roll Bathroom Tissue Dispenser, Nov. 9, 2011, <https://www.amazon.com/Georgia-Pacific-56798-Stainless-Bathroom-Dispenser/dp/B00C61ZI3U>.*

Compact Bath Tissue and Dispensers—Brands—Georgia-Pacific Professional [online][retrieved Dec. 14, 2015]. Retrieved from the Internet: <URL: https://www.gppro.com/brand_compact.aspx>. 3 pages.

Compact® Coreless Bathroom Tissue & Dispensers [online][retrieved Dec. 14, 2015]. Retrieved from the Internet: <URL: <https://www.catalog.gppro.com/catalog/6281>>. 8 pages.

Georgia pacific tissue dispenser—Google Search [online][retrieved Mar. 9, 2016]. Retrieved from the Internet: <URL: https://https://www.google.com/search?q=georgia+pacific+toilet+paper+dispenser&source=lnms&tbm=isch&sa=X&ved=0ahUKEwiXyoq187PLAhUJKiYKHURwAaIQ_AUICCGC#tbm=isch&q=georgia+pacific+tissue+dispenser>. 2 pages.

Georgia pacific toilet paper dispenser—Google Search [online][retrieved Mar. 9, 2016]. Retrieved from the Internet: <URL: https://www.google.com/search?q=georgia+pacific+toilet+paper+dispenser&source=lnms&tbm=isch&sa=X&ved=0ahUKEwiXyoq187PLAhUJKiYKHURwAaIQ_AUICCGC>. 3 pages.

Georgia-Pacific Compact 56784 Translucent Smoke Side-By-Side Double Roll Bathroom Tissue Dispenser: Toilet Paper Holders: Amazon.com [online][retrieved Dec. 14, 2015]. Retrieved from the Internet: <URL: https://www.amazon.com/gp/product/B001B0E7M0/ref=s9_al_bw_g328_i1>. 7 pages.

Notice of Allowance for corresponding U.S. Appl. No. 29/539,556 dated Mar. 8, 2016.

Notice of Allowance for corresponding U.S. Appl. No. 29/539,552 dated Mar. 16, 2016.

* cited by examiner

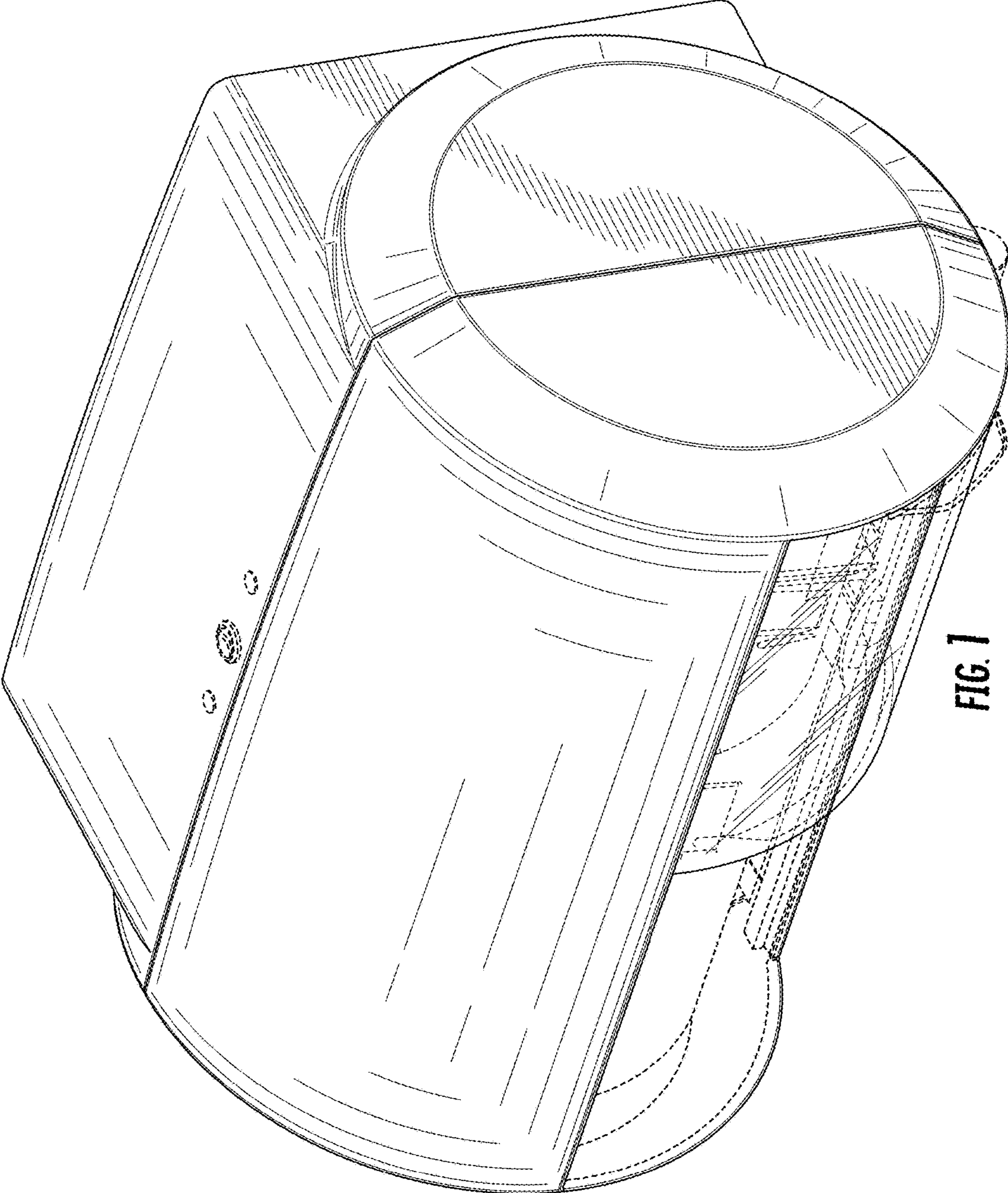


FIG. 1

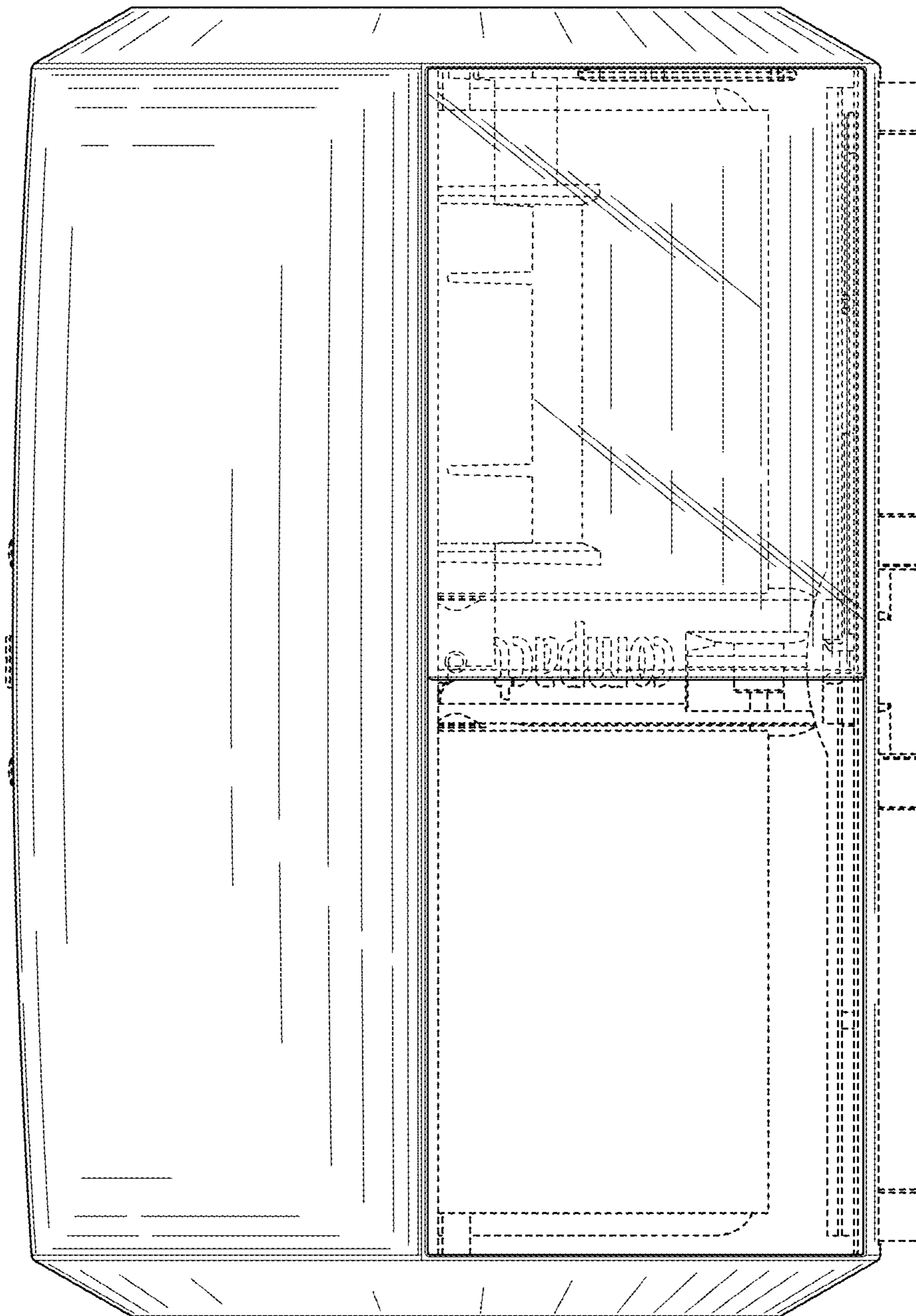


FIG. 2

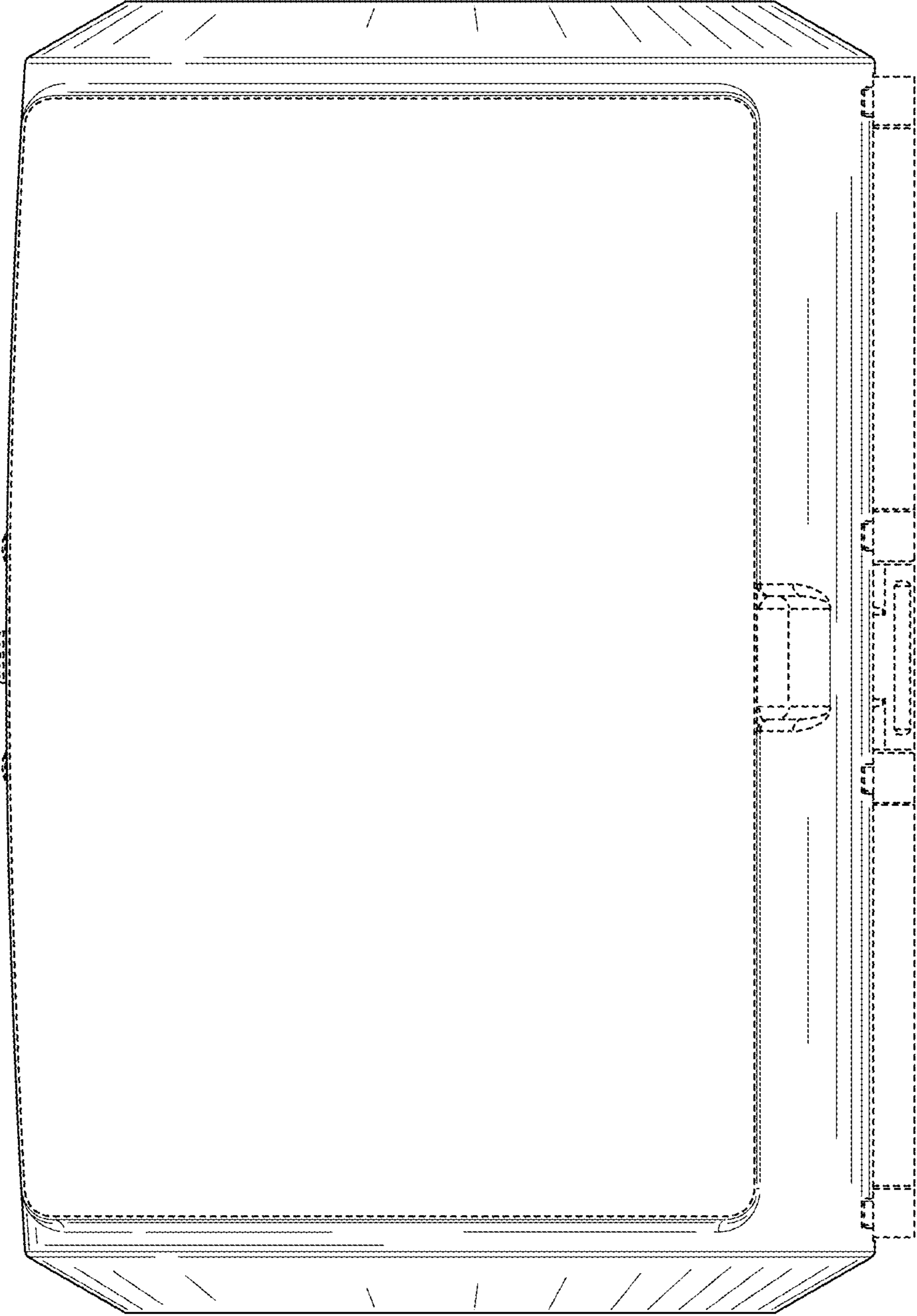


FIG. 3

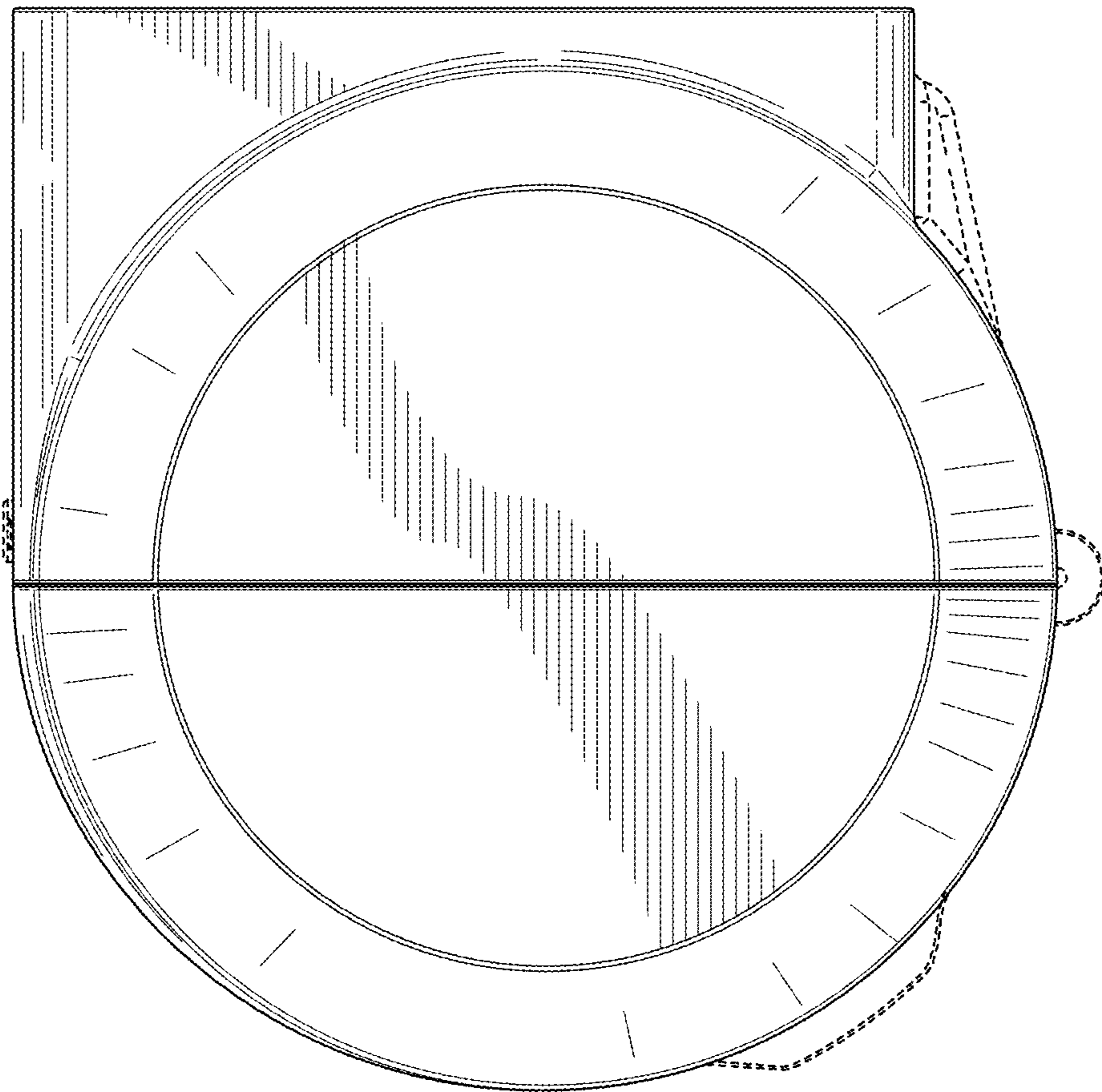


FIG. 4

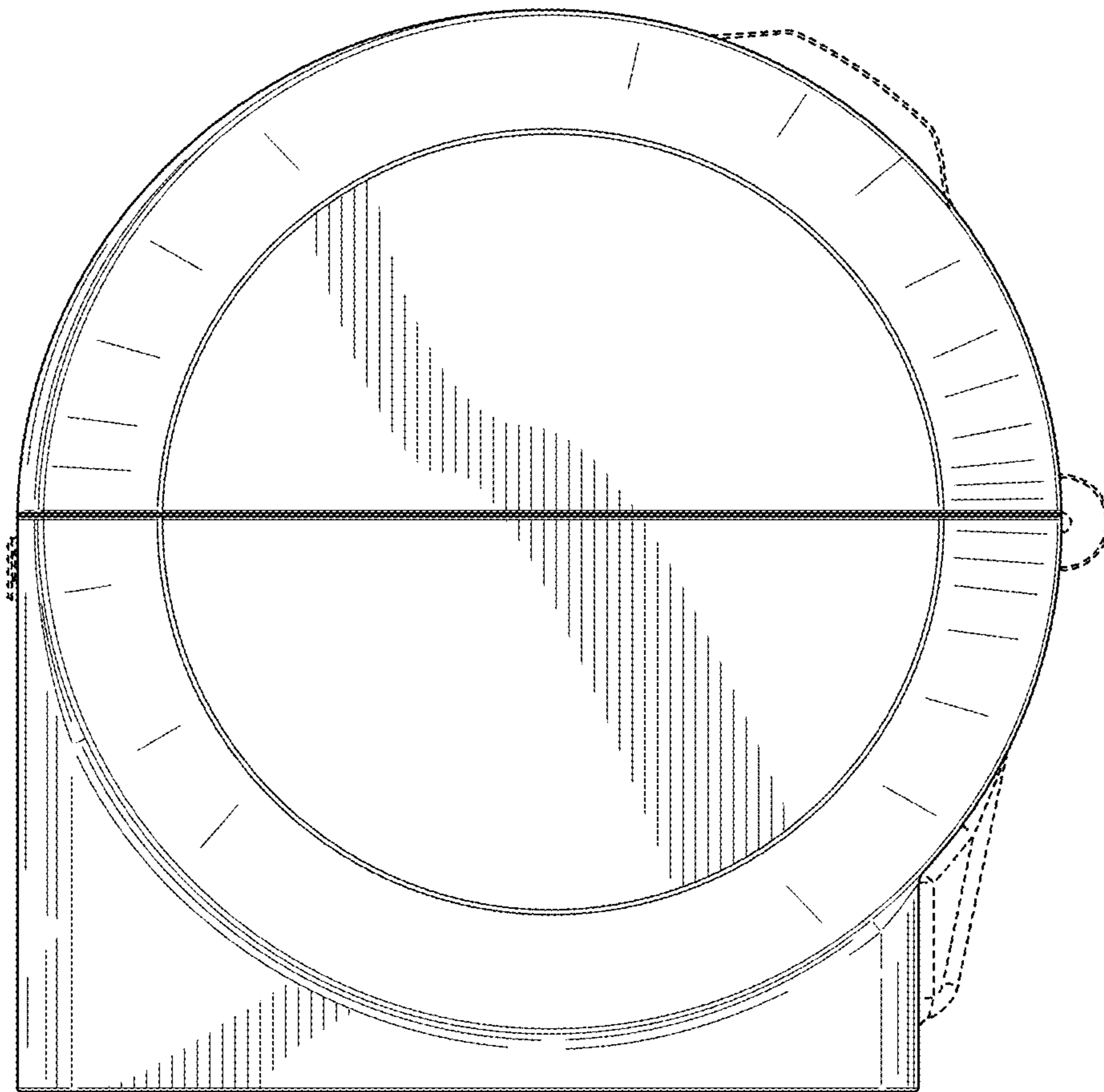


FIG. 5

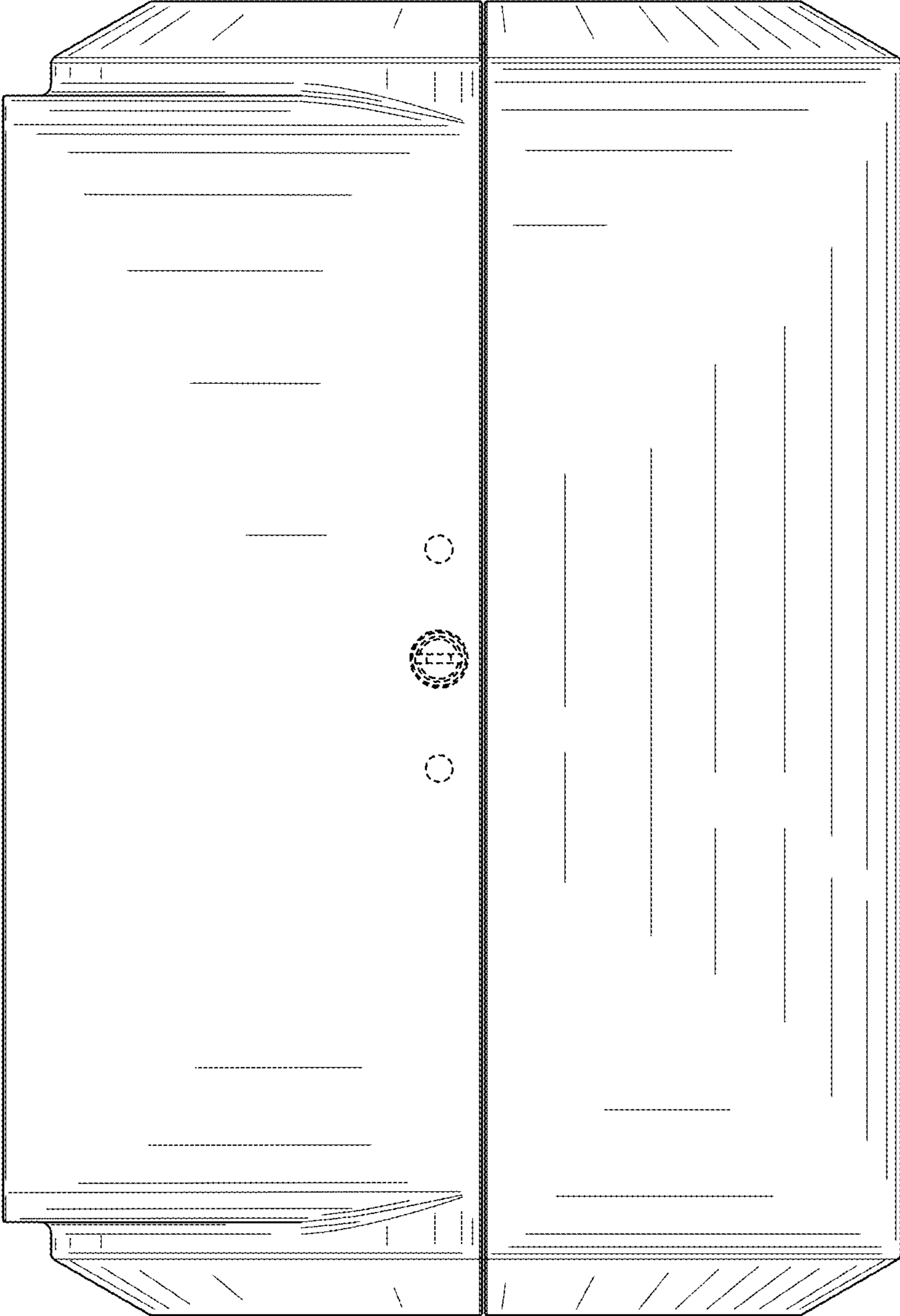


FIG. 6

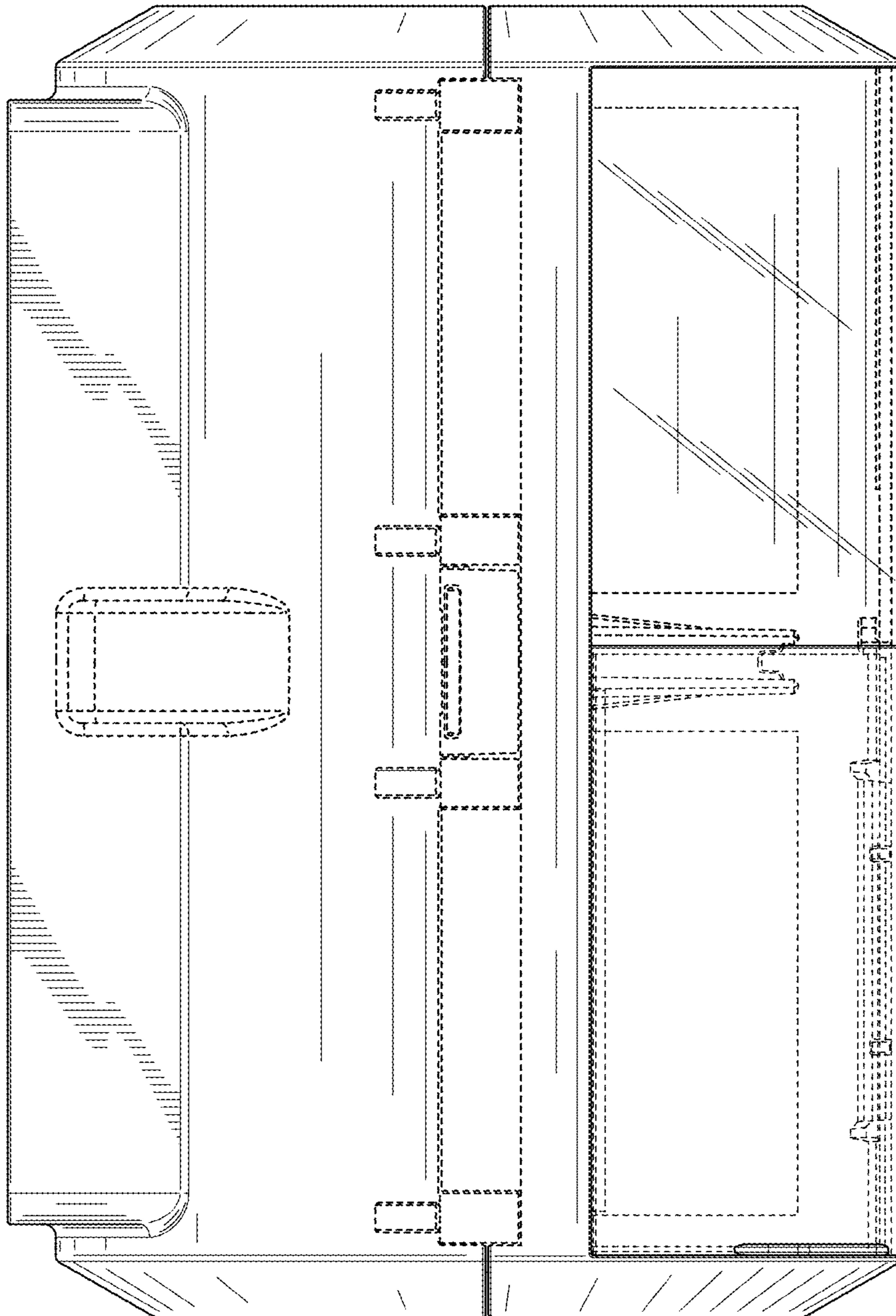


FIG. 7