



US00D781066S

(12) **United States Design Patent**  
**Janetski et al.**

(10) **Patent No.:** **US D781,066 S**

(45) **Date of Patent:** **\*\* Mar. 14, 2017**

(54) **FILM DISPENSER**

D462,860 S \* 9/2002 Orlando ..... D6/518  
D488,654 S \* 4/2004 Omdoll ..... D6/518  
D625,537 S \* 10/2010 Maxwell ..... D6/518

(71) Applicant: **Tablecraft Products Company, Inc.**,  
Gurnee, IL (US)

\* cited by examiner

(72) Inventors: **Andrew J. Janetski**, Birchwood, WI  
(US); **Tyler Buchanan**, Chippewa Falls,  
WI (US); **Somnanritha Sothoeun**  
**Chan**, Woodbury, MN (US)

*Primary Examiner* — Wan Laymon

*Assistant Examiner* — Mark Booker

(73) Assignee: **TABLECRAFT PRODUCTS**  
**COMPANY, INC.**, Gurnee, IL (US)

(74) *Attorney, Agent, or Firm* — Pearne & Gordon LLP

(\*\*) Term: **15 Years**

(57) **CLAIM**

(21) Appl. No.: **29/541,197**

The ornamental design for a film dispenser, as shown and described.

(22) Filed: **Oct. 1, 2015**

(51) **LOC (10) Cl.** ..... **20-02**

(52) **U.S. Cl.**

USPC ..... **D6/518**

(58) **Field of Classification Search**

USPC ..... D6/518, 515–517, 519–523; 206/225,  
206/233, 389, 391; 211/13.1; 221/26, 33,  
221/282, 283; 222/173, 180; 242/270,  
242/590; 248/309.1, 309.2, 905

CPC ..... A47J 31/407; A47K 10/42; A47K  
2010/3266; A47K 5/13

See application file for complete search history.

**DESCRIPTION**

FIG. 1 is a front perspective view of a film dispenser showing our new design;

FIG. 2 is a front view thereof;

FIG. 3 is a top view thereof

FIG. 4 is a right side view thereof, the left side being a minor image;

FIG. 5 is a rear view thereof;

FIG. 6 is a bottom view thereof; and,

FIG. 7 is a perspective view thereof with the top open.

(56) **References Cited**

**U.S. PATENT DOCUMENTS**

5,680,978 A \* 10/1997 Pinion ..... B65D 85/672  
220/230

D417,109 S \* 11/1999 Johnson ..... D6/518

D452,788 S \* 1/2002 Neiberger ..... D6/518

**1 Claim, 2 Drawing Sheets**

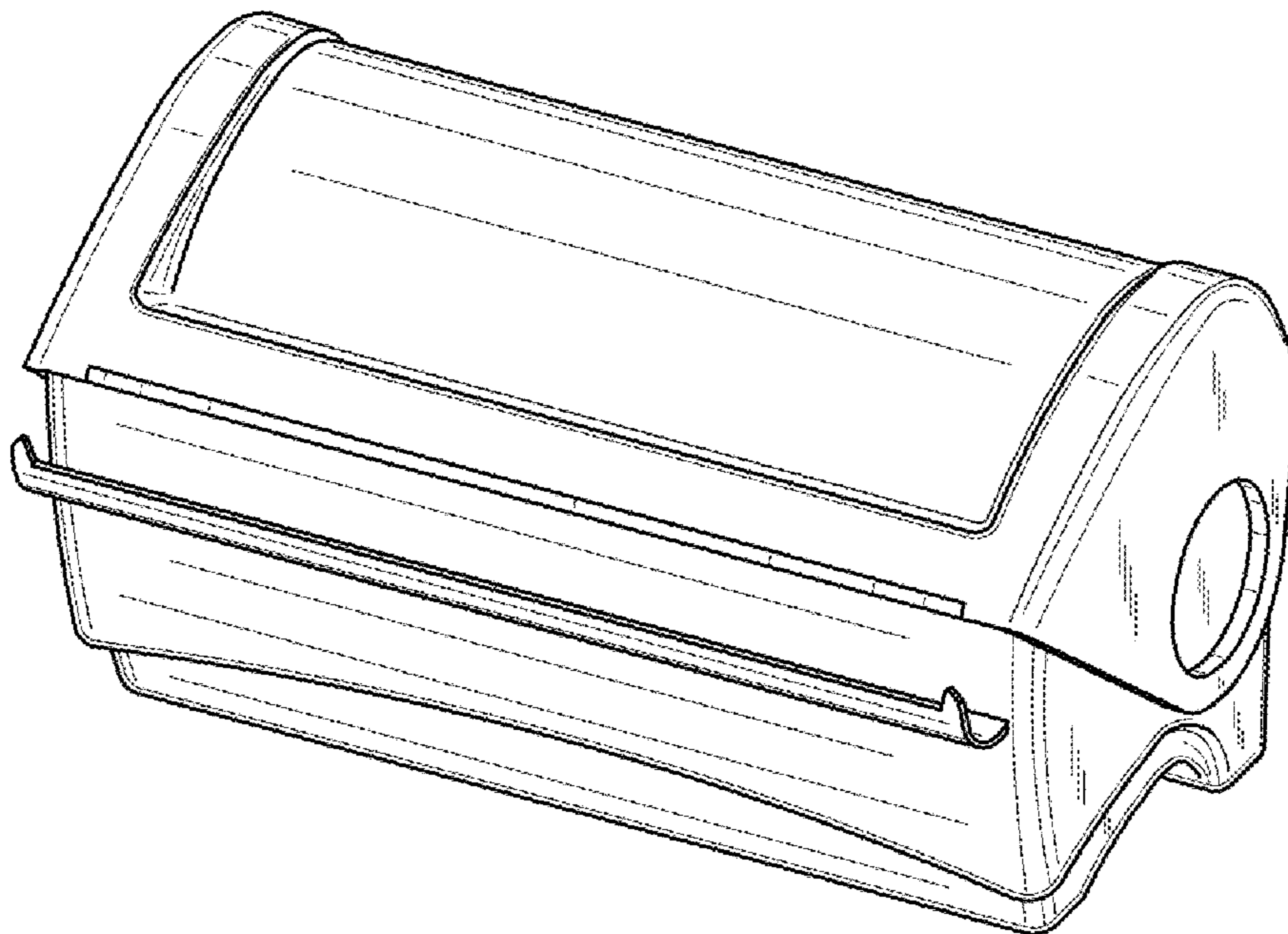


FIG. 1

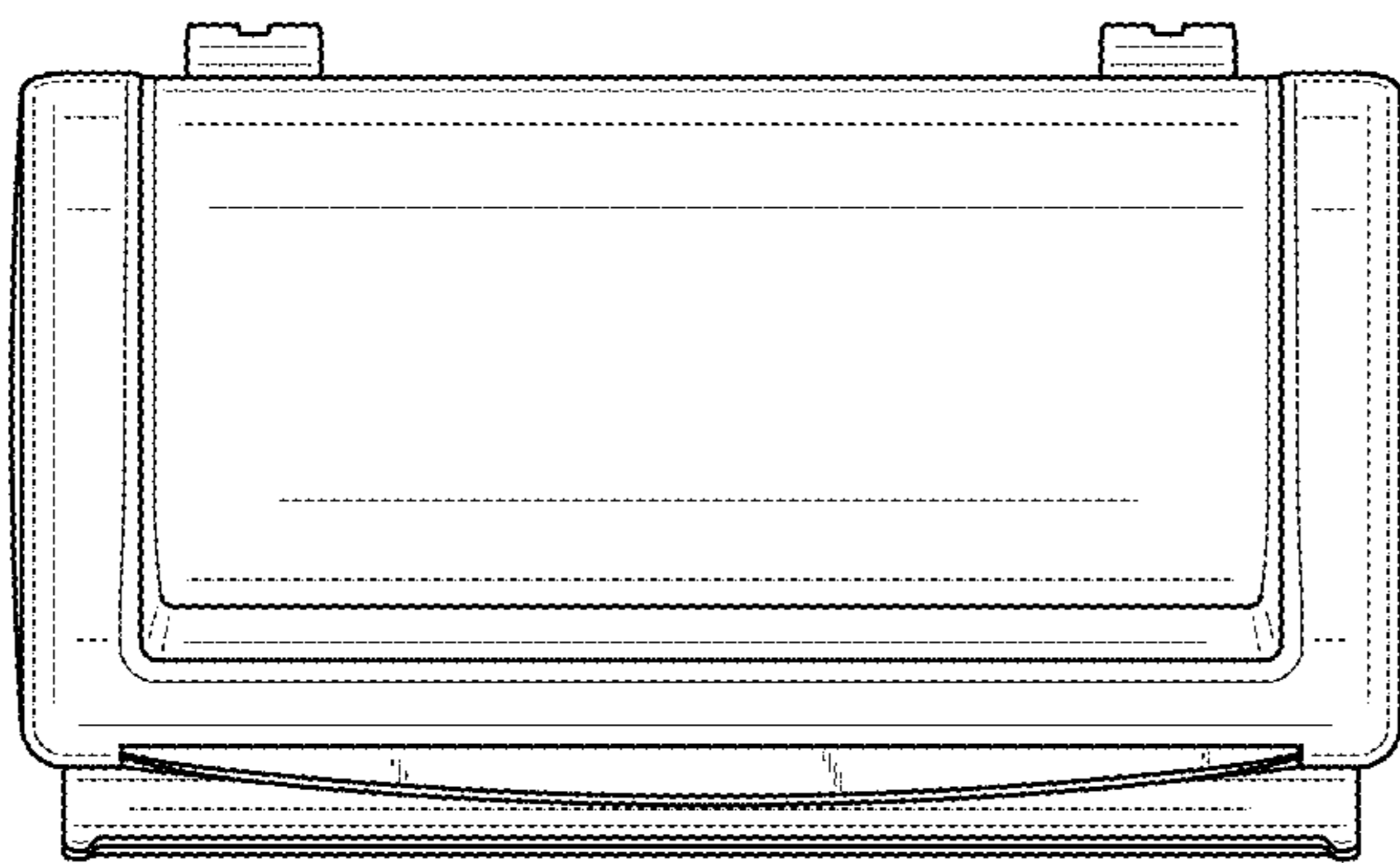
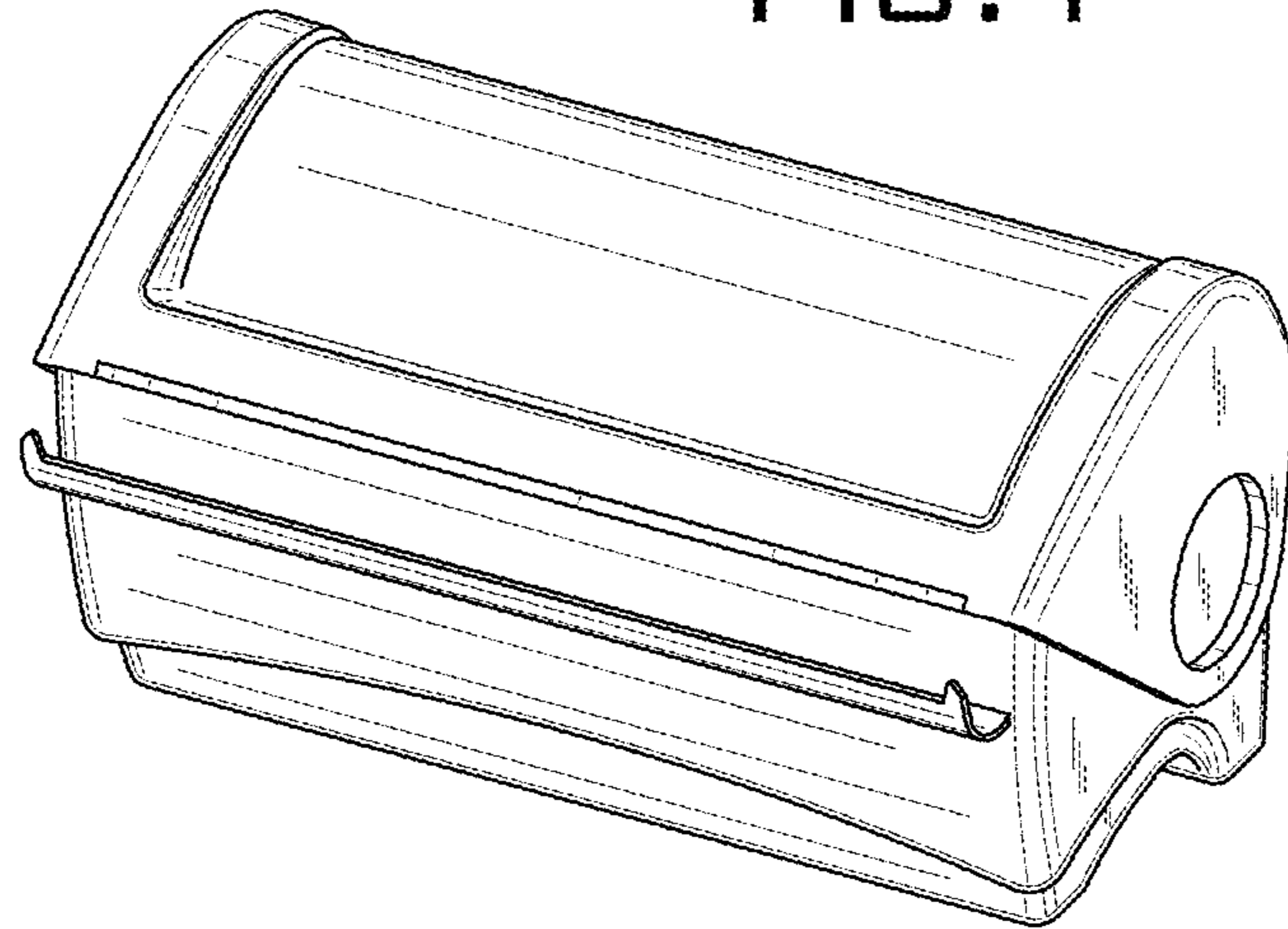


FIG. 3

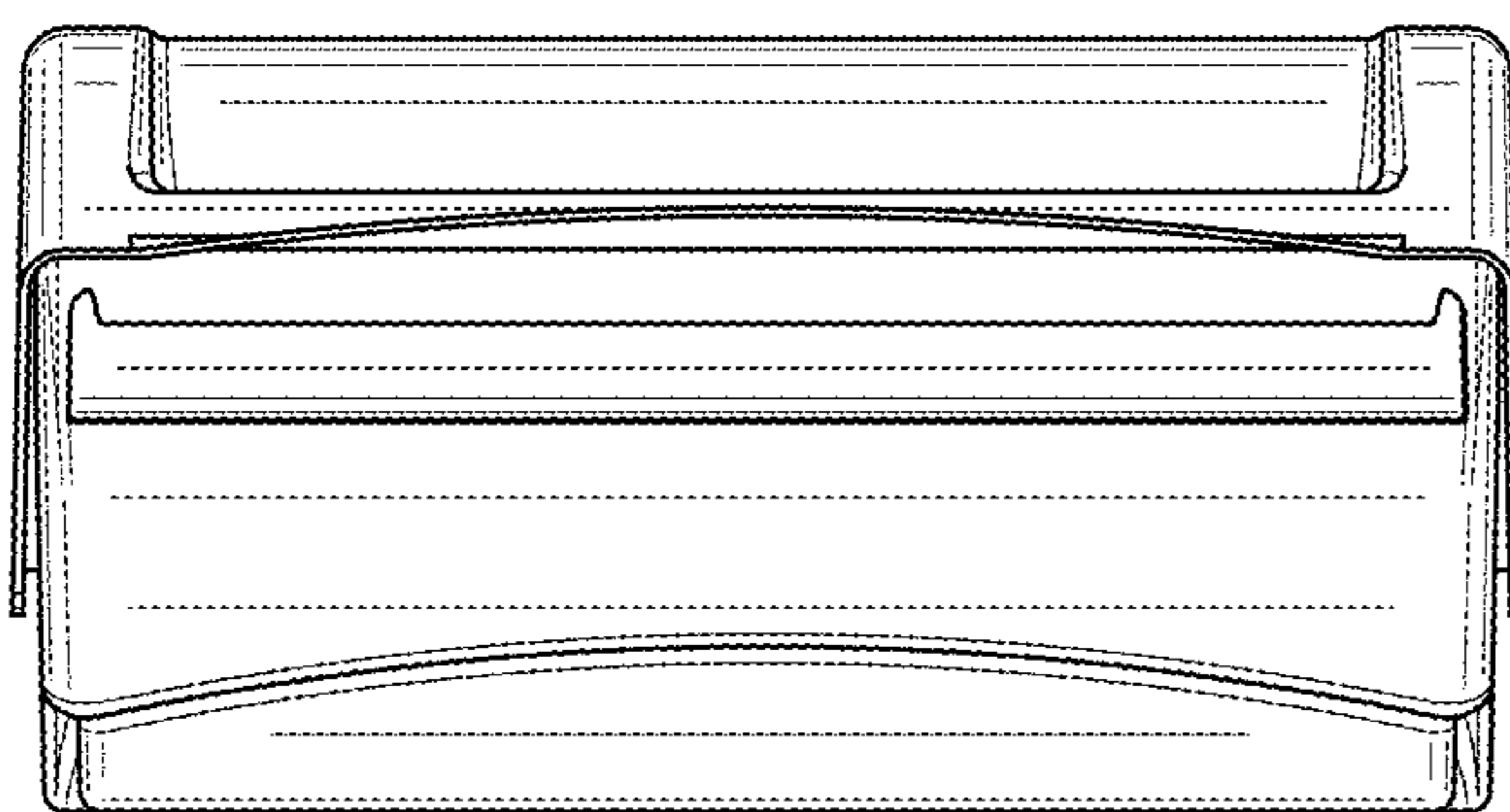


FIG. 2

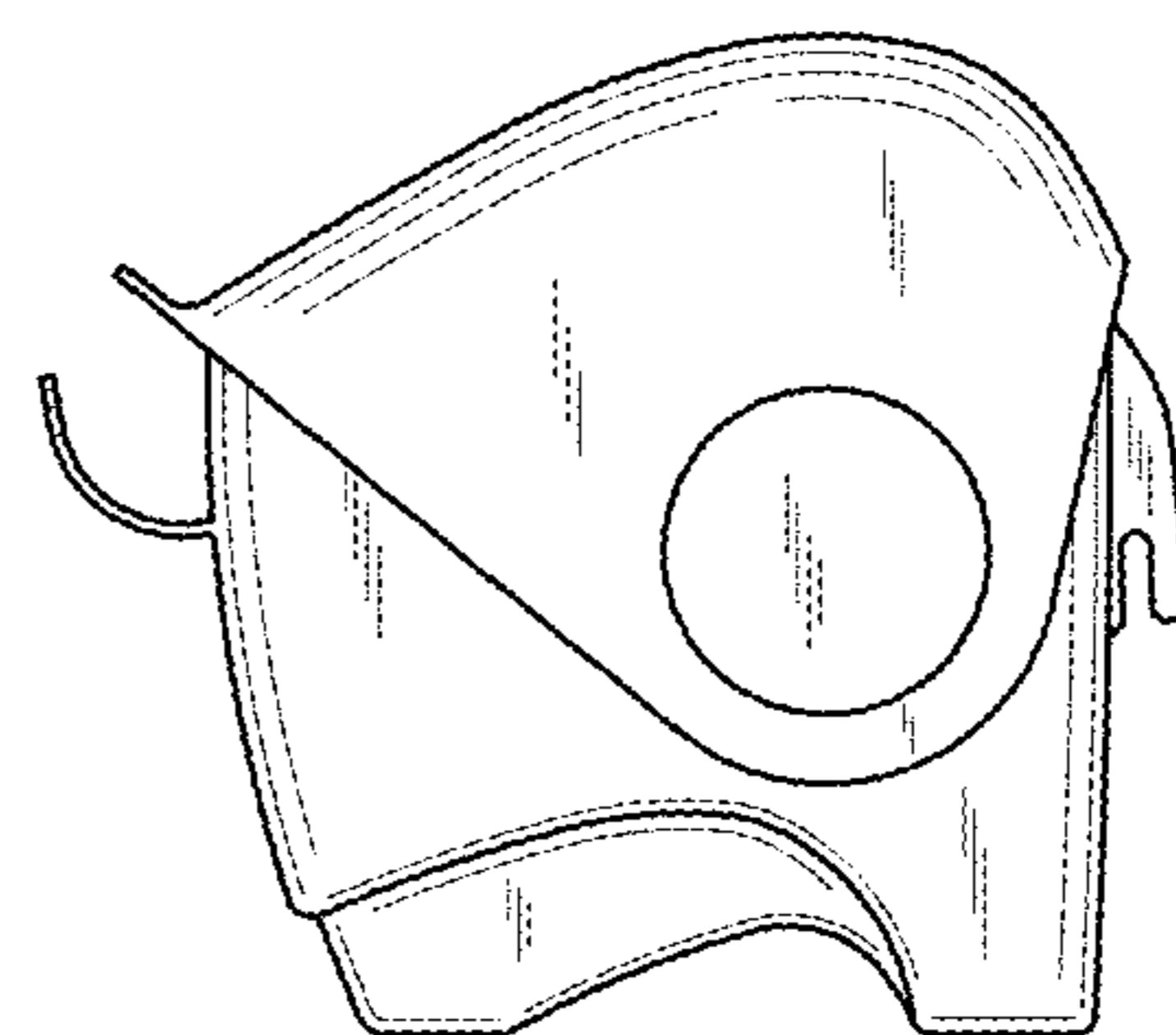


FIG. 4

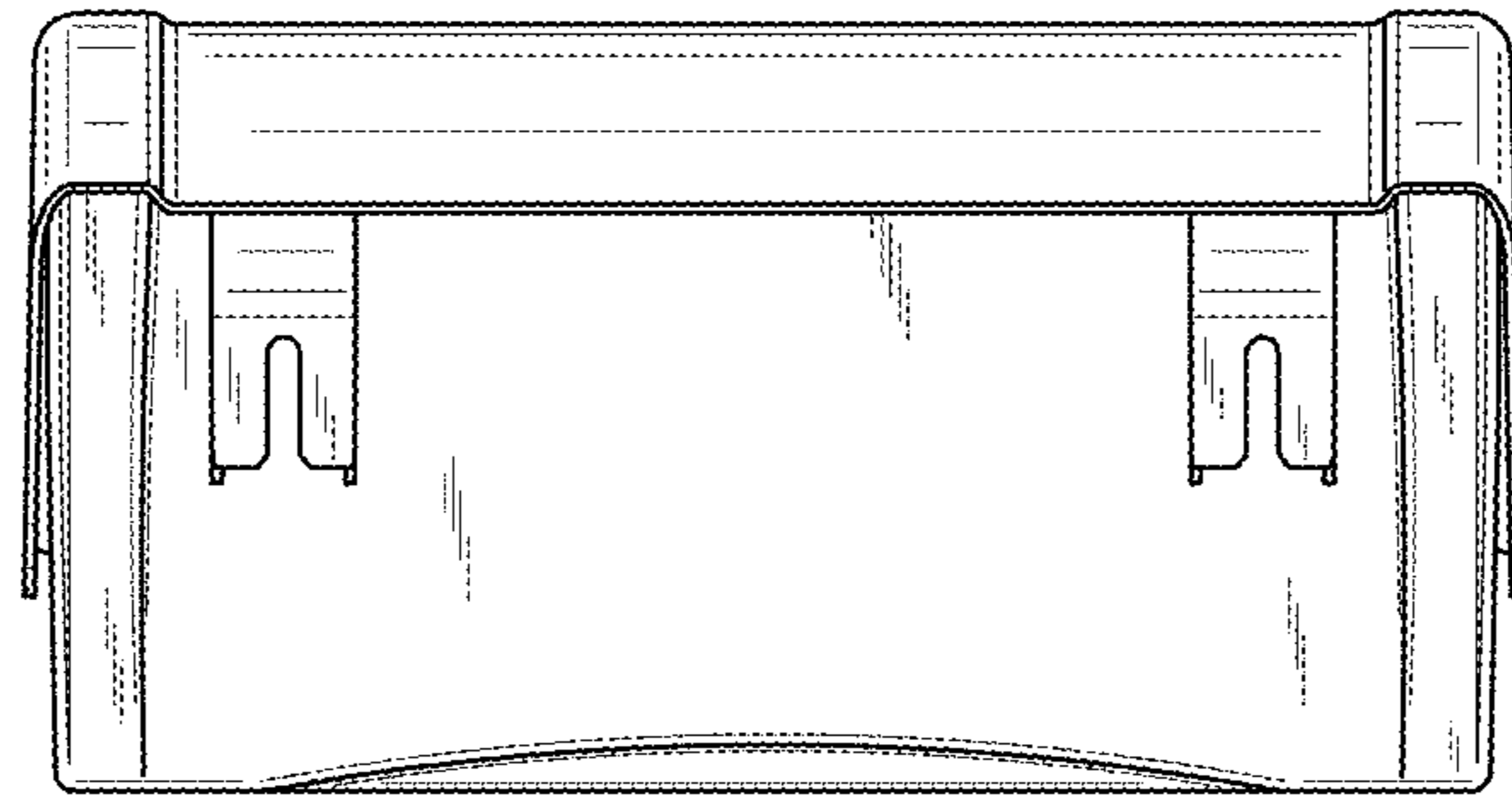


FIG. 5

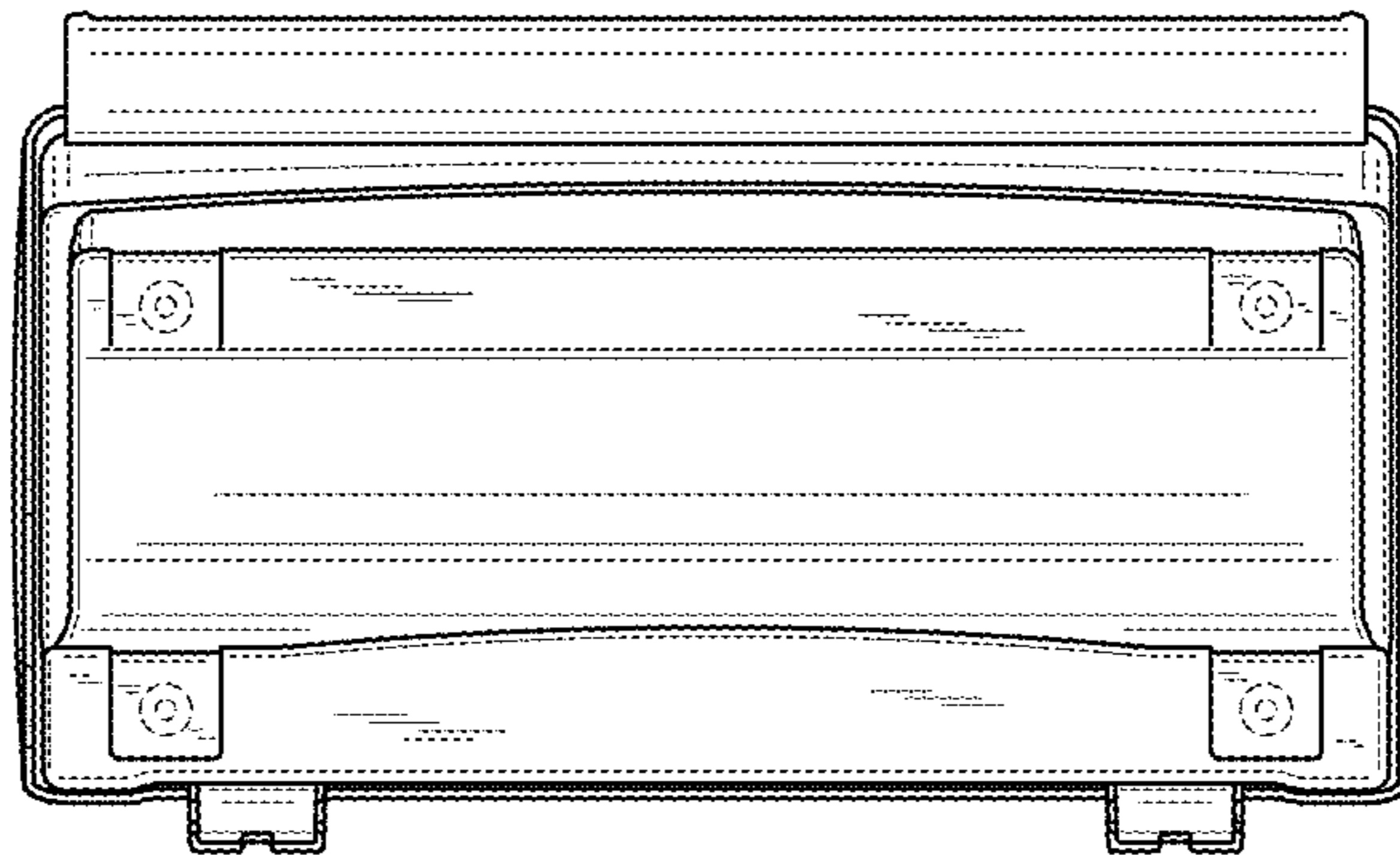


FIG. 6

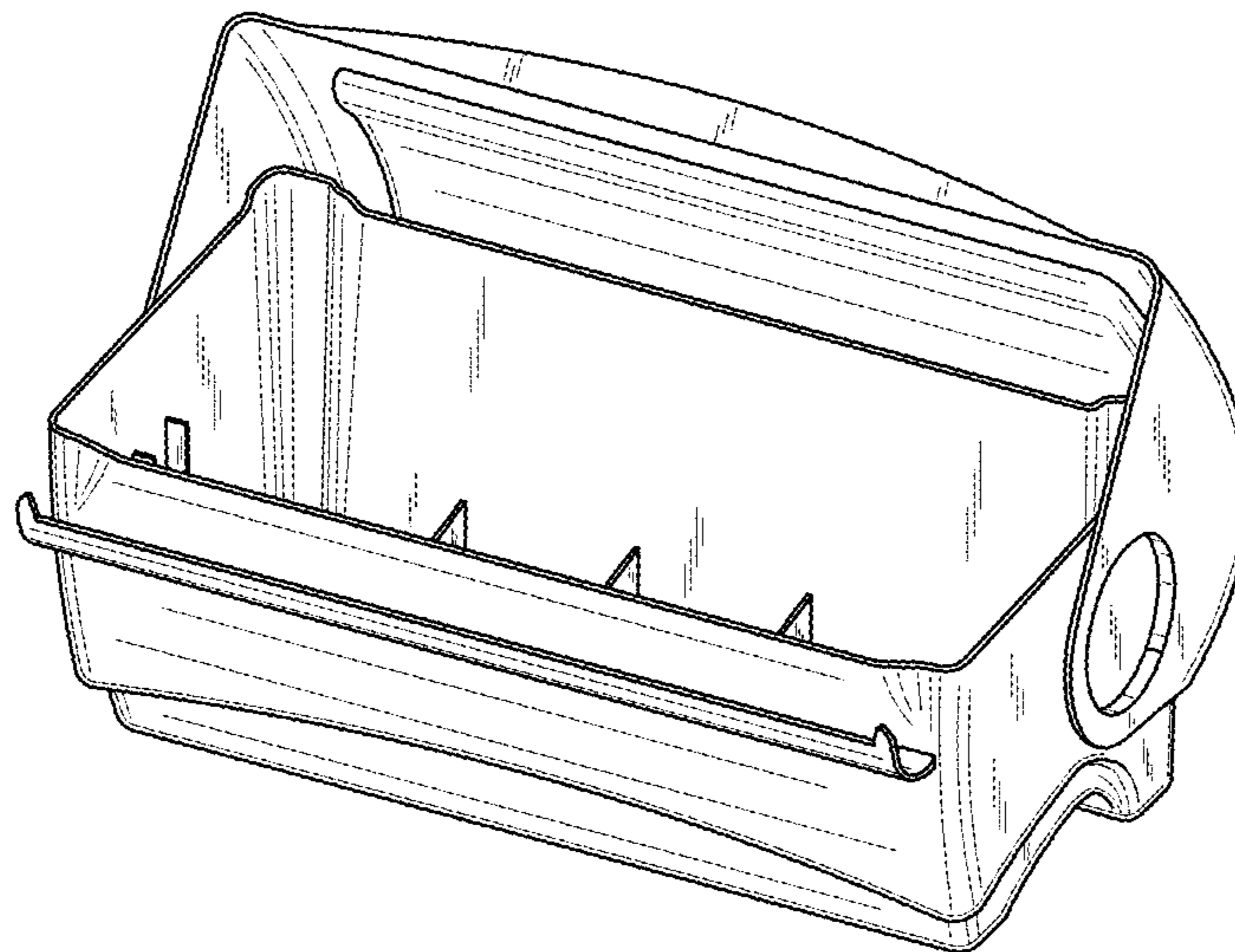


FIG. 7