



US00D781065S

(12) **United States Design Patent** (10) **Patent No.:** **US D781,065 S**  
**Brownley et al.** (45) **Date of Patent:** **\*\* Mar. 14, 2017**

- (54) **PRODUCT DISPENSER**
- (71) Applicant: **GOJO Industries, Inc.**, Akron, OH (US)
- (72) Inventors: **David Brownley**, Hudson, OH (US);  
**Matthew Hern**, Malibu, CA (US);  
**Anthony Seitz**, University Heights, OH (US)
- (73) Assignee: **GOJO Industries, Inc.**, Akron, OH (US)
- (\*\*) Term: **15 Years**
- (21) Appl. No.: **29/561,236**
- (22) Filed: **Apr. 14, 2016**
- (51) **LOC (10) Cl.** ..... **20-02**
- (52) **U.S. Cl.**  
USPC ..... **D6/515**
- (58) **Field of Classification Search**  
USPC ..... D6/515-523; 206/389, 391; 312/34, 312/34.8, 34.22, 309.1; 211/13.1, 16, 44, 211/49.1, 50, 59.2, 86.01; 221/282, 283; 222/173, 181.1  
CPC ..... A47K 5/14; A47K 5/1217; A47K 5/12; B05B 11/3087; B05B 7/0037  
See application file for complete search history.

D308,146 S *	5/1990	Speaker .....	D6/515
D340,375 S *	10/1993	Hines .....	D6/523
D359,867 S *	7/1995	Elldrege .....	D6/515
D416,416 S *	11/1999	Kelso .....	D6/525
D634,143 S *	3/2011	Burkett .....	D6/545
D667,245 S *	9/2012	Hansen .....	D6/523
D675,851 S *	2/2013	Wilson .....	D6/518
D707,979 S *	7/2014	Hagleitner .....	D6/545
D712,177 S *	9/2014	Hagleitner .....	D6/545
D715,576 S *	10/2014	Hagleitner .....	D6/545
2005/0274638 A1 *	12/2005	Smith .....	B65D 71/36 206/389

\* cited by examiner

*Primary Examiner* — David Muller  
*Assistant Examiner* — Nathan Johnston

(57) **CLAIM**

The ornamental design for a product dispenser, as shown and described.

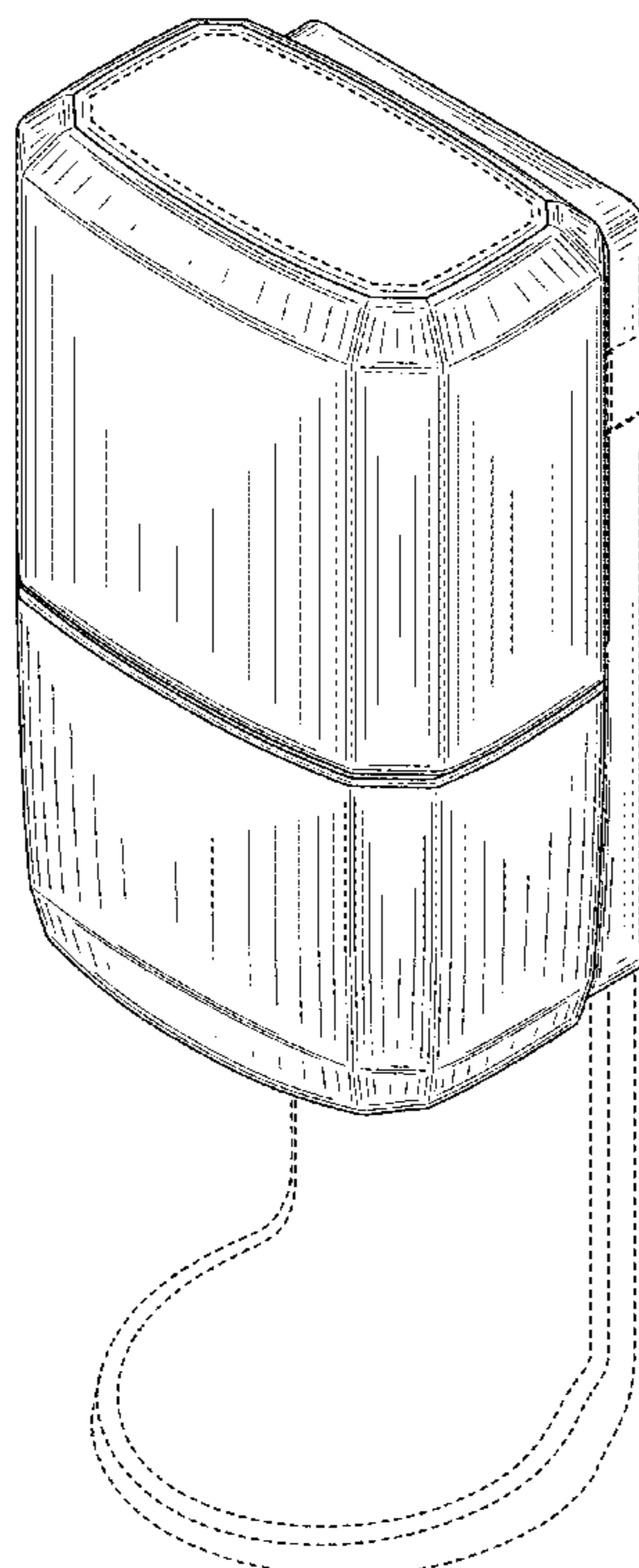
**DESCRIPTION**

FIG. 1 is a perspective view of a product dispenser showing our new design;  
FIG. 2 is a front elevation view thereof;  
FIG. 3 is a rear elevation view thereof;  
FIG. 4 is a right side elevation view thereof;  
FIG. 5 is a left side elevation view thereof;  
FIG. 6 is a top plan view thereof; and,  
FIG. 7 is a bottom plan view thereof.  
The broken line showing of product dispenser is included for the purpose of illustrating portions of the “article” and forms no part of the claimed design.

**1 Claim, 6 Drawing Sheets**

(56) **References Cited**  
U.S. PATENT DOCUMENTS

D248,001 S *	5/1978	Santaella .....	D6/520
D290,074 S *	6/1987	Braun .....	D6/515



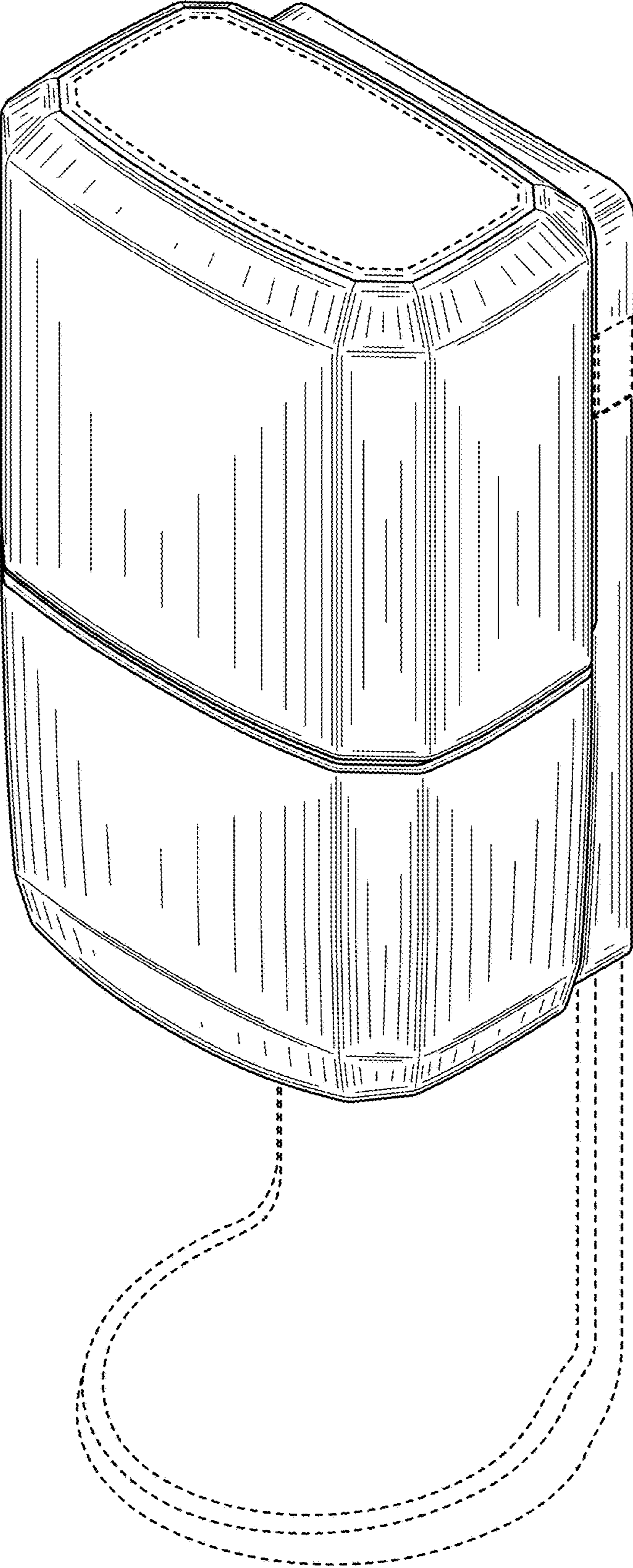


FIG. 1

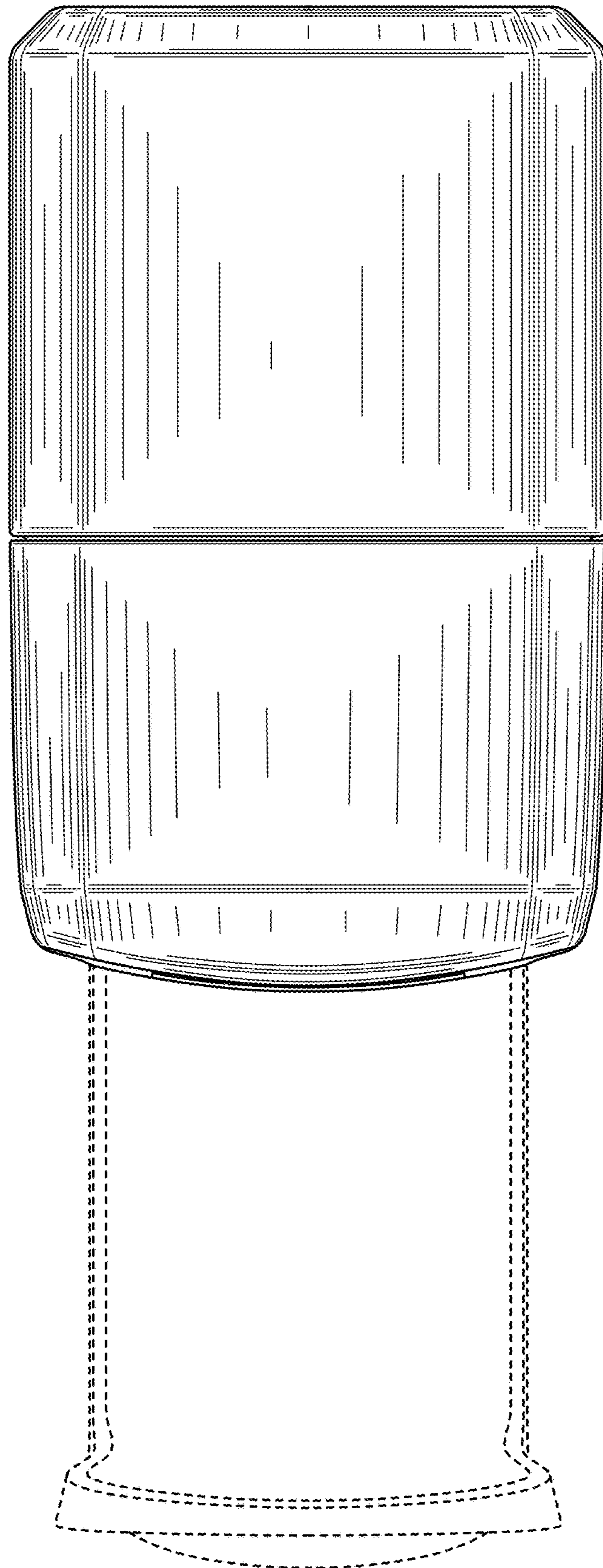


FIG. 2

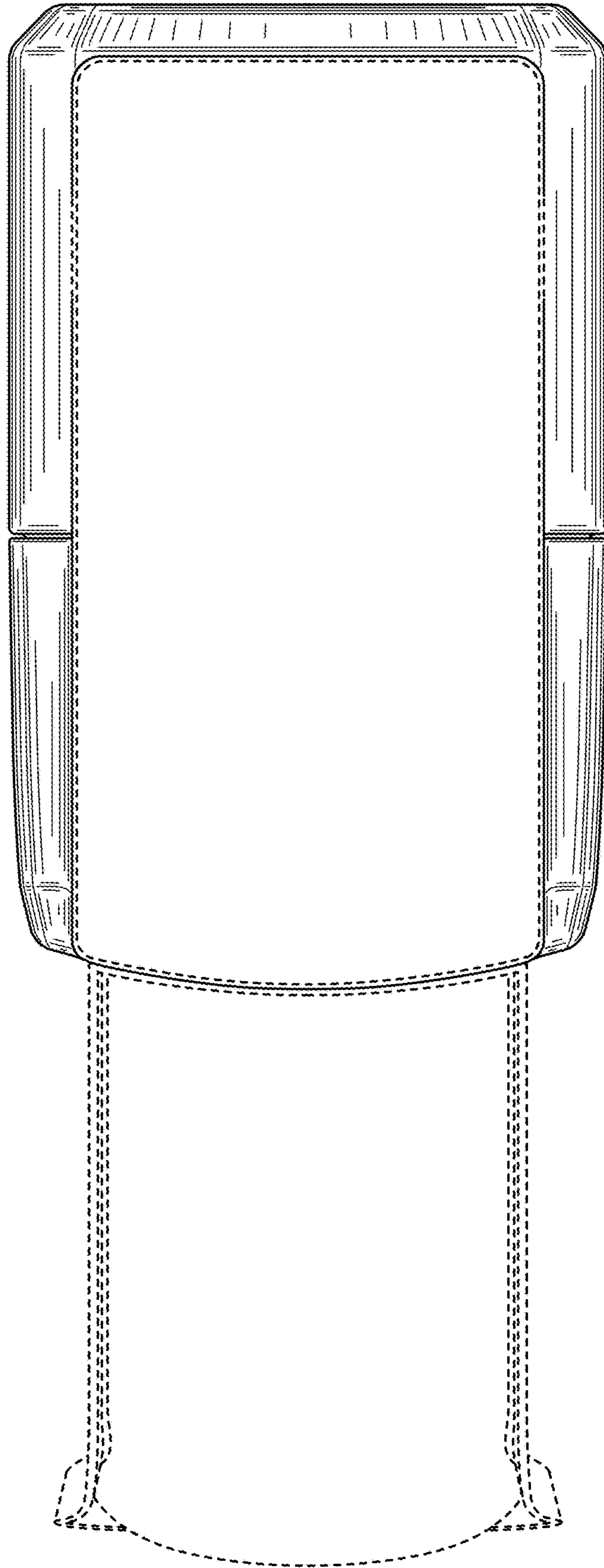


FIG. 3

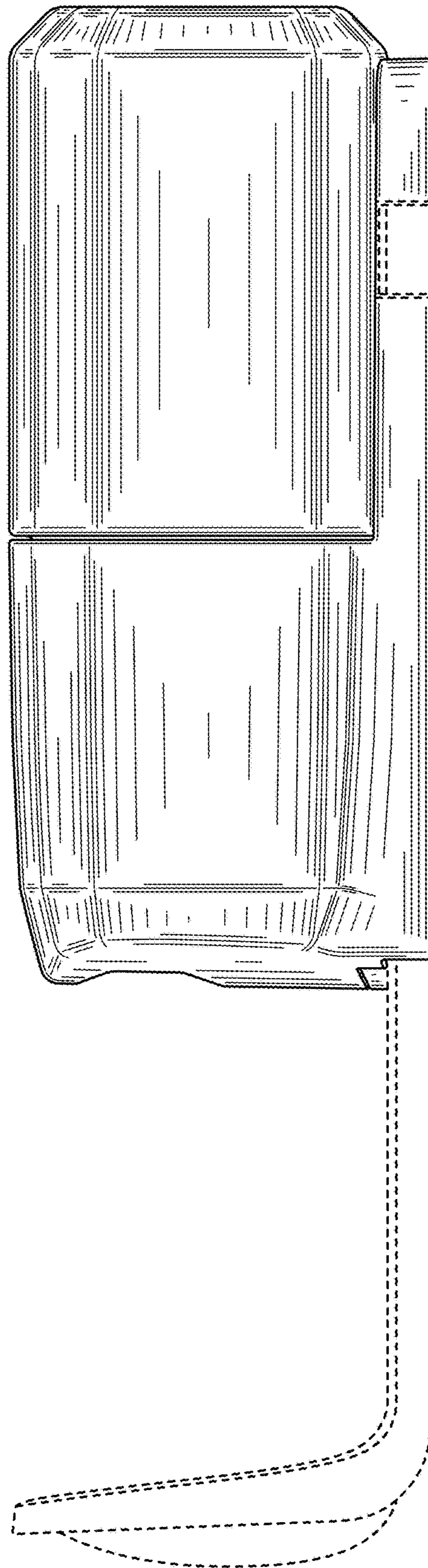


FIG. 4

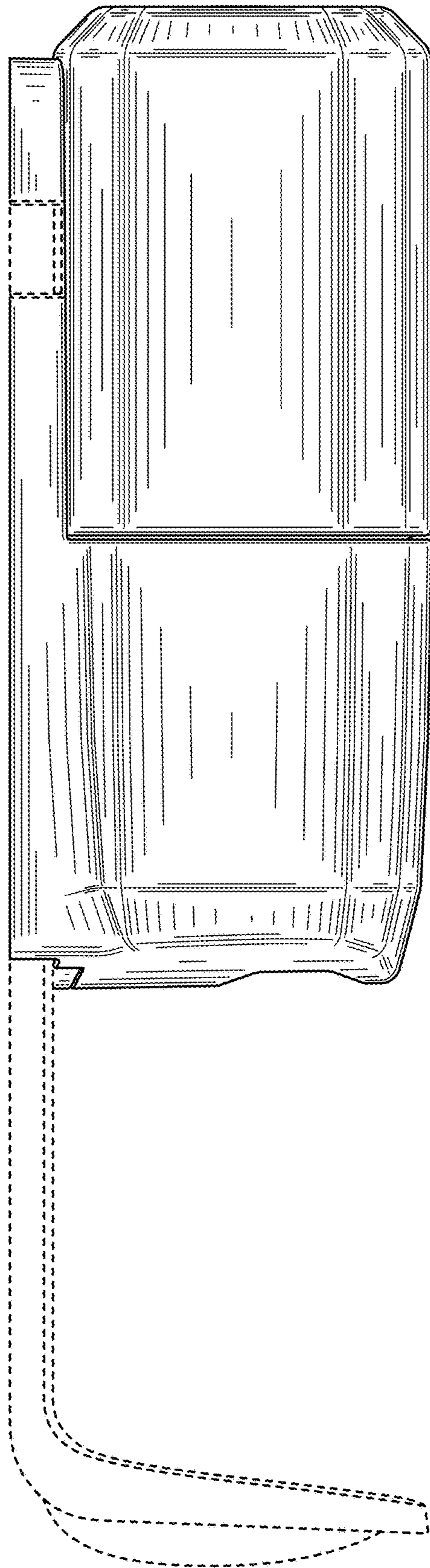


FIG. 5

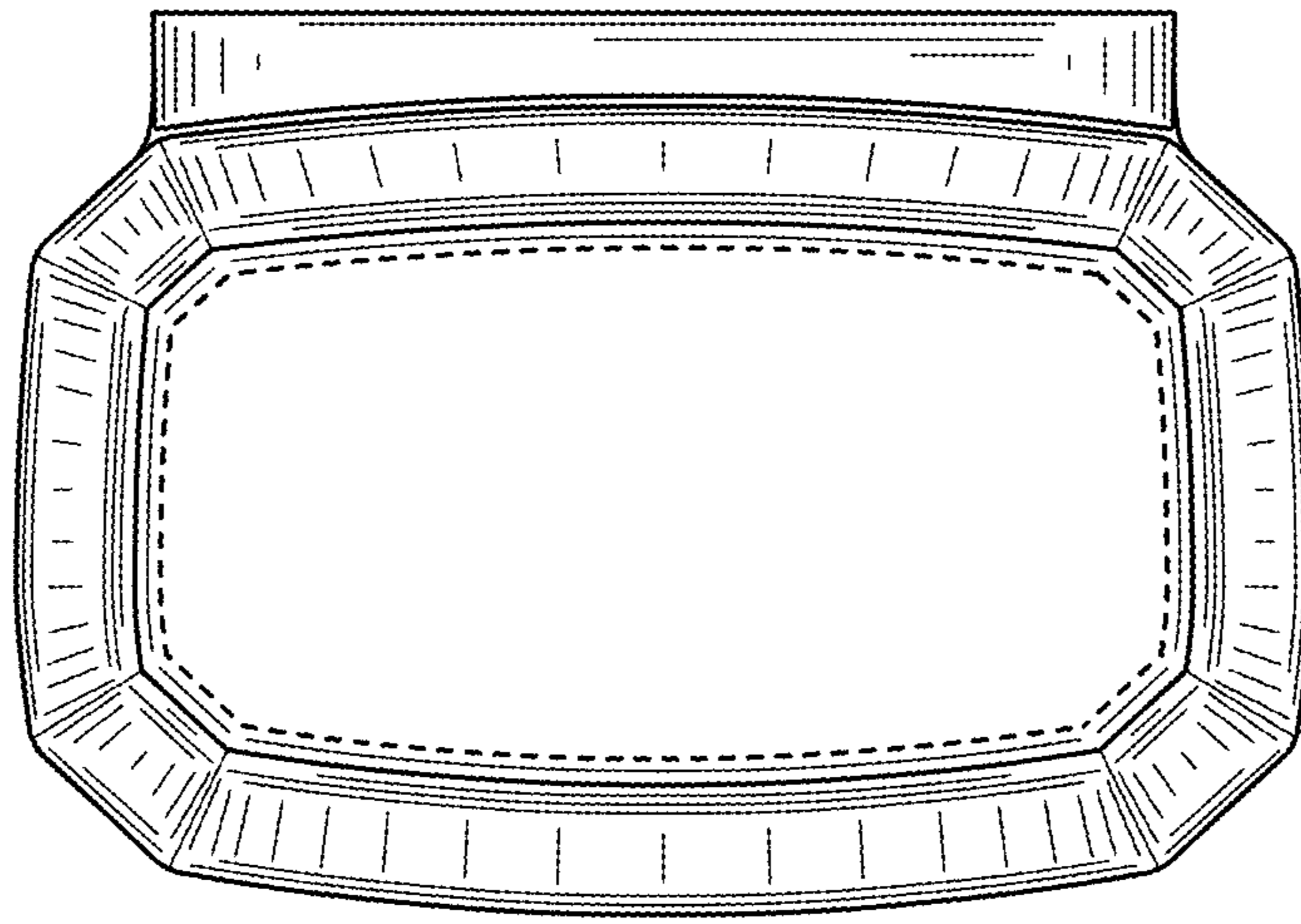


FIG. 6

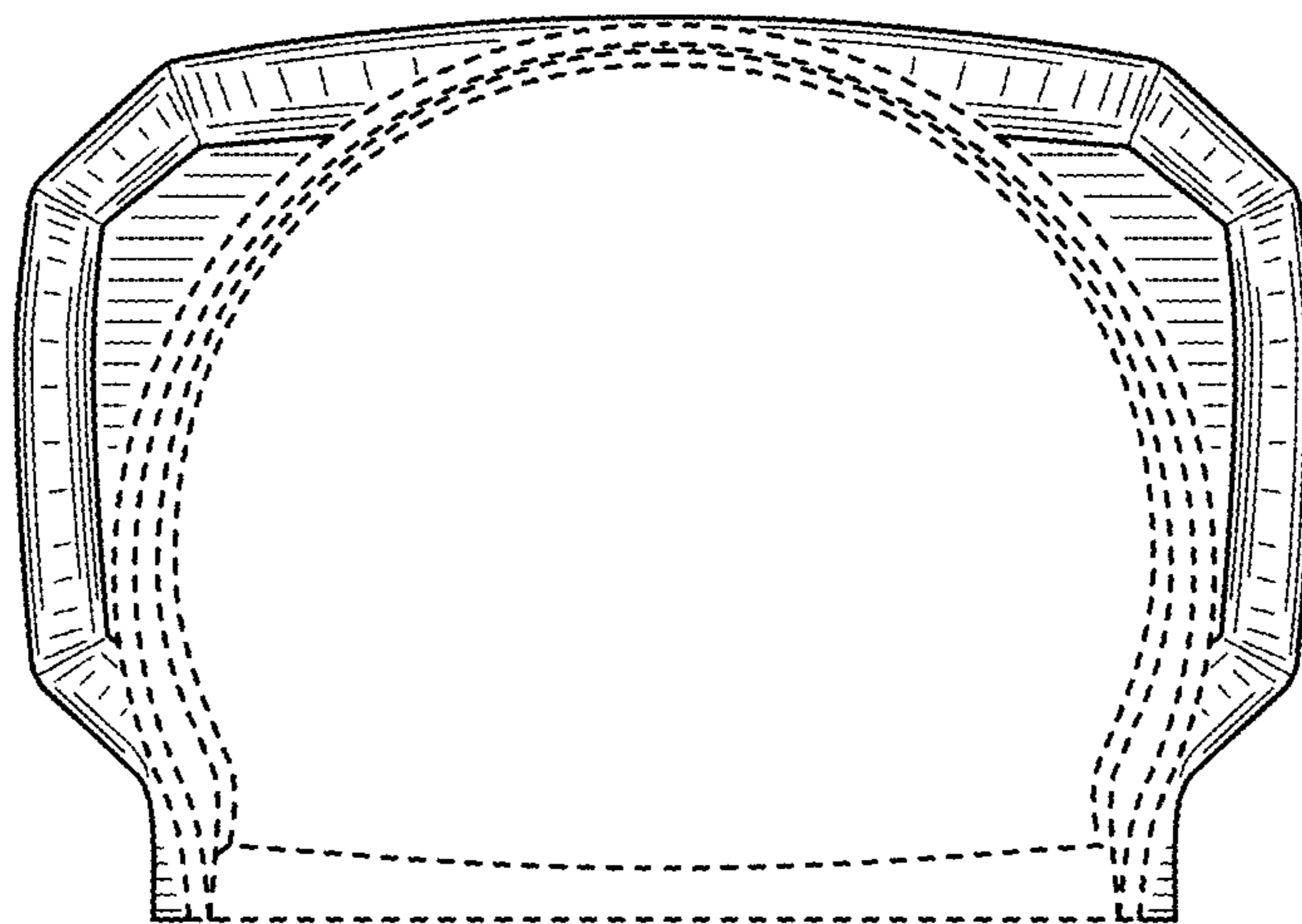


FIG. 7