



US00D781063S

(12) **United States Design Patent**  
**Shah et al.**

(10) **Patent No.:** **US D781,063 S**  
(45) **Date of Patent:** **\*\* Mar. 14, 2017**

(54) **OVERHEAD RACK**

(71) Applicant: **NewAge Products, Inc.**, Vaughan (CA)

(72) Inventors: **Parag Shah**, Toronto (CA); **Frank Spano**, Toronto (CA); **Robert Vandenharm**, Toronto (CA)

(73) Assignee: **NEWAGE PRODUCTS, INC.**,  
Vaughan, Ontario (CA)

(\*\*) Term: **14 Years**

(21) Appl. No.: **29/522,286**

(22) Filed: **Mar. 30, 2015**

(51) **LOC (10) Cl.** ..... **06-06**

(52) **U.S. Cl.**  
USPC ..... **D6/513**

(58) **Field of Classification Search**  
USPC ..... D6/513, 553, 566, 567, 574; 108/28-29;  
248/235, 309.1; 211/13.1, 32, 41.3, 41.4,  
(Continued)

(56) **References Cited**

**U.S. PATENT DOCUMENTS**

478,805 A 7/1892 Munson  
557,567 A 4/1896 Eddy  
(Continued)

**FOREIGN PATENT DOCUMENTS**

EP 0 154 704 A2 9/1985  
WO WO 02/32257 A1 4/2002  
WO WO 2005/074747 A1 8/2005

**OTHER PUBLICATIONS**

Web pages from Internet URL page [www.storemoreshelving.com](http://www.storemoreshelving.com),  
Dec. 6, 2013, 4 pages.

(Continued)

*Primary Examiner* — Wan Laymon

*Assistant Examiner* — Mark Booker

(74) *Attorney, Agent, or Firm* — Howard & Howard  
Attorneys PLLC

(57) **CLAIM**

An ornamental design for an overhead rack, as shown and described.

**DESCRIPTION**

FIG. 1 is a perspective view of an embodiment of an overhead rack.

FIG. 2 is a front elevational view of the overhead rack of FIG. 1.

FIG. 3 is rear elevational view of the overhead rack of FIG. 1.

FIG. 4 is a right side elevational view of the overhead rack of FIG. 1.

FIG. 5 is a left side elevational view of the overhead rack of FIG. 1.

FIG. 6 is top plan view of the overhead rack of FIG. 1.

FIG. 7 is a bottom plan view of the overhead rack of FIG. 1.

FIG. 8 is another embodiment of an overhead rack.

FIG. 9 is a front elevational view of the overhead rack of FIG. 8.

FIG. 10 is rear elevational view of the overhead rack of FIG. 8.

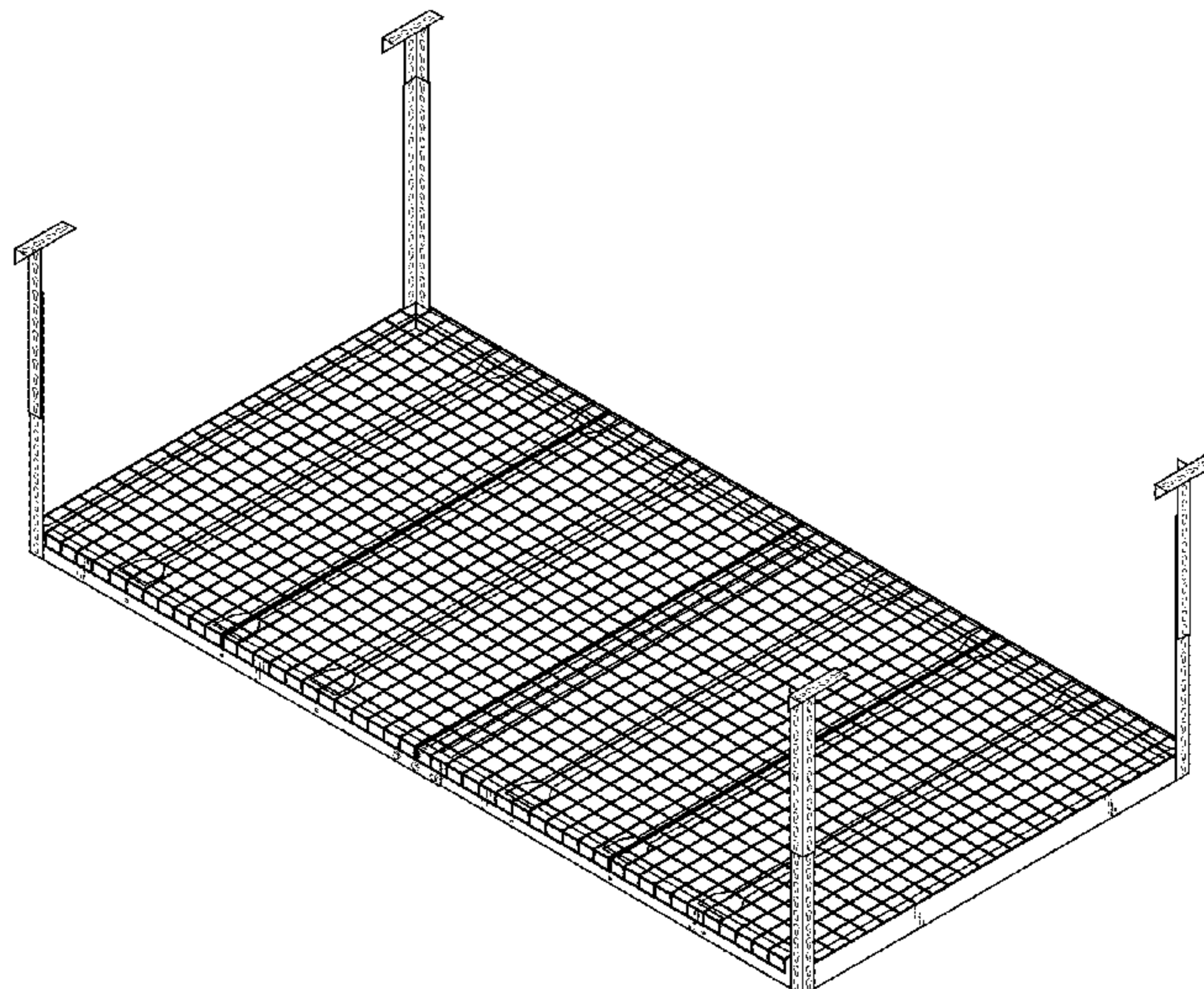
FIG. 11 is a right side elevational view of the overhead rack of FIG. 8.

FIG. 12 is a left side elevational view of the overhead rack of FIG. 8.

FIG. 13 is top plan view of the overhead rack of FIG. 8; and,  
FIG. 14 is a bottom plan view of the overhead rack of FIG. 8.

The elements shown in phantom, which are depicted as dot-dot-dot lines, are for illustrative purposes only and do not form part of the claimed design.

**1 Claim, 12 Drawing Sheets**





(58) **Field of Classification Search**  
 USPC ..... 211/86.01, 87.01, 90.01, 90.03, 126.9,  
 211/134, 181.1  
 CPC ... B65G 39/12; A47B 96/00; A47B 2051/005;  
 A47F 1/04; E04B 1/343; E04B 1/34321;  
 E04B 1/34384; E04B 1/3483; E04B  
 1/7069; E04B 9/006  
 See application file for complete search history.

(56) **References Cited**

U.S. PATENT DOCUMENTS

579,584 A	3/1897	Jessup	6,145,678 A	11/2000	Morrison
587,945 A	8/1897	Elliott	6,161,702 A	12/2000	Campbell
588,542 A	8/1897	Williams	6,161,709 A	12/2000	Kluge et al.
590,773 A	9/1897	Pruden	6,179,136 B1	1/2001	Kluge et al.
608,393 A	8/1898	Jackson et al.	6,182,836 B1	2/2001	Gutierrez
610,656 A	9/1898	Martin	6,286,691 B1	9/2001	Oberhaus et al.
611,856 A	10/1898	Brown et al.	6,311,626 B1	11/2001	Roberts
624,231 A	5/1899	Martin	6,332,597 B1	12/2001	Korcz et al.
653,386 A	7/1900	Hunter	6,409,031 B1	6/2002	Wynne
706,718 A	8/1902	Bradbury	D459,926 S	7/2002	Mikich et al.
2,057,092 A	10/1936	Geib	6,435,105 B1	8/2002	Mikich et al.
2,559,322 A	7/1951	Skamser	D470,353 S	2/2003	Mikich et al.
3,139,045 A	6/1964	Rojakovick	D477,957 S	8/2003	Mikich et al.
3,188,039 A	6/1965	Krohn	6,715,427 B2	4/2004	Mikich et al.
3,190,604 A	6/1965	Jorgensen et al.	6,725,608 B1	4/2004	Kraus
3,735,951 A	5/1973	Reed	6,883,513 B2	4/2005	Bock
3,770,133 A	11/1973	Kolker	7,000,783 B2	2/2006	Webb
3,771,466 A	11/1973	Ferdinand et al.	D516,348 S	3/2006	Satterthwaite
3,782,559 A	1/1974	Wright	7,021,476 B2	4/2006	Lloyd et al.
3,837,609 A	9/1974	Weiss et al.	D525,811 S *	8/2006	Nawrocki ..... D6/513
3,872,972 A	3/1975	Cummins et al.	D526,519 S *	8/2006	Nawrocki ..... D6/566
3,924,751 A	12/1975	Ballenger	7,128,225 B2	10/2006	Saltzburg et al.
3,945,462 A	3/1976	Griswold	7,150,449 B1	12/2006	Dueck et al.
4,116,341 A	9/1978	Hebda	7,150,591 B1	12/2006	Kent
4,142,705 A	3/1979	Miller	7,152,535 B2	12/2006	Mikich et al.
4,167,908 A	9/1979	Jones et al.	7,165,684 B2	1/2007	Ferron
4,316,544 A	2/1982	Goldstein	7,225,933 B1	6/2007	Pollock et al.
4,352,432 A	10/1982	Smith	7,228,669 B1	6/2007	Yaraschefski
4,392,572 A	7/1983	Bernard	7,252,202 B2	8/2007	Saltzberg et al.
4,441,583 A	4/1984	Vaught	7,255,237 B2	8/2007	Stitchick et al.
4,552,270 A	11/1985	Lentz et al.	D553,401 S	10/2007	Peddycord
4,630,423 A	12/1986	Lind	7,357,262 B2	4/2008	Fratilla
4,650,144 A	3/1987	Conrad	7,421,957 B2	9/2008	Baez
4,700,845 A	10/1987	Fretter	7,494,110 B2	2/2009	Lob et al.
4,813,550 A	3/1989	Saeks	7,543,538 B2	6/2009	Baez
4,830,196 A	5/1989	Csanady	D597,354 S	8/2009	Liss
4,840,278 A	6/1989	Gelinas	7,604,131 B1	10/2009	Clark et al.
5,074,419 A	12/1991	Smith	7,669,822 B2	3/2010	Kluge et al.
5,078,276 A	1/1992	Rogge et al.	7,770,419 B2	8/2010	Stone
5,082,120 A	1/1992	Vega	7,810,438 B2	10/2010	Ryberg
5,082,123 A	1/1992	Lamb	7,815,055 B2	10/2010	Lang
5,086,930 A	2/1992	Saeks	D637,427 S	5/2011	Troyner et al.
D326,579 S *	6/1992	Leeds ..... D6/566	7,967,155 B2 *	6/2011	Klingspor ..... F24C 15/16 108/91
5,125,517 A	6/1992	Martinell	8,066,131 B2	11/2011	Mansor et al.
5,240,122 A	8/1993	Arnold	D653,064 S *	1/2012	Lutt ..... D6/513
5,246,120 A	9/1993	Walker	8,117,970 B1	2/2012	Baez
5,292,009 A	3/1994	Smith	8,132,764 B2	3/2012	Kuipers
5,332,104 A	7/1994	Santella	8,245,651 B1	8/2012	Mikich et al.
5,351,926 A	10/1994	Moses	8,371,458 B2	2/2013	Yu
5,354,035 A	10/1994	Helgren	8,511,486 B2	8/2013	Mansor
5,460,274 A	10/1995	Kramer	8,651,294 B2	2/2014	Mansor et al.
5,474,189 A	12/1995	Peterson	8,794,454 B2	8/2014	Bleazard
5,702,007 A	12/1997	Fritz et al.	8,827,232 B2	9/2014	Crowley
5,737,801 A	4/1998	Flood	8,893,899 B1	11/2014	Hund
5,749,479 A	5/1998	Belokin et al.	8,893,900 B2	11/2014	Kedar
5,772,048 A	6/1998	Sopcisak	9,010,553 B2	4/2015	Crowley
5,794,793 A	8/1998	Frederick	9,228,756 B2	1/2016	Crowley
5,848,708 A	12/1998	Edwards	D753,420 S *	4/2016	Cheng ..... D6/675.2
D406,972 S *	3/1999	McCoy ..... D6/513	2002/0023888 A1	2/2002	Wynne et al.
D416,152 S	11/1999	Payne et al.	2004/0050807 A1	3/2004	Cheng
5,984,111 A	11/1999	Pennella	2004/0149878 A1	8/2004	Gierke et al.
6,015,127 A	1/2000	Carr	2004/0182291 A1	9/2004	Mikich et al.
6,050,426 A	4/2000	Leurdijk	2004/0226899 A1	11/2004	Ferron
6,095,344 A	8/2000	White	2005/0098511 A1	5/2005	Webb
6,109,461 A	8/2000	Kluge et al.	2006/0180554 A1	8/2006	Lang
			2007/0007223 A1	1/2007	Thrush et al.
			2007/0108357 A1	5/2007	Plowman
			2007/0119805 A1	5/2007	Nawrocki
			2007/0138357 A1	6/2007	Carroll
			2007/0205169 A1 *	9/2007	Fratilla ..... 211/117
			2009/0108160 A1	4/2009	Kluge et al.
			2009/0278004 A1	11/2009	Eustace et al.
			2011/0062301 A1	3/2011	Sloan
			2011/0182704 A1	7/2011	Mansor
			2011/0198307 A1	8/2011	Mansor et al.
			2012/0103923 A1	5/2012	Mansor et al.
			2012/0145659 A1	6/2012	Mansor
			2012/0181240 A1	7/2012	Crowley

(56)

**References Cited**

## U.S. PATENT DOCUMENTS

2013/0228536 A1 9/2013 Crowley  
2013/0270201 A1 10/2013 Vineyard  
2013/0327802 A1 12/2013 Hammond  
2013/0334150 A1 12/2013 Watson  
2014/0014607 A1 1/2014 Mikich et al.  
2014/0138334 A1 5/2014 Mansor  
2014/0312200 A1 10/2014 Crowley  
2015/0014886 A1\* 1/2015 Mullaney ..... 264/299  
2015/0060374 A1 3/2015 Mansor  
2015/0226451 A1 8/2015 Crowley  
2015/0305494 A1\* 10/2015 Shah ..... A47B 47/0083  
108/42

## OTHER PUBLICATIONS

Newage Products Inc., Install Instructions for Versarac, Apr. 3, 2014, 14 pages. (in English and French languages).

Newage Products Inc., sample Packaging for Grey-4'x8' Overhead Rack, SKU: 40148-77748, Box 1 of 2, Apr. 3, 2014, 1 page.

Newage Products Inc., sample Packaging for Grey-4'x8' Overhead Rack, SKU: 40148-77748, Box 2 of 2, Apr. 3, 2014, 1 page.

Newage Products Inc., sample Packaging for Grey-4'x4' Overhead Rack, SKU: 40144-77744, Box 1 of 1, Apr. 3, 2014, 1 page.

Allied Tube & Conduit, Inc., "Webpage—Off-The-Floor Garage Storage Systems", 2003, downloaded from [www.offthefloor.com](http://www.offthefloor.com), 3 pages.

Hyloft USA, LLC, "Webpage—Hyloft Overhead Storage Units", 2001, downloaded from [www.hyloftusa.com](http://www.hyloftusa.com), 4 pages.

Onrax Overhead Storage Racks, "Webpage—Overhead Storage Racks", 2003, downloaded from [www.onrax.com](http://www.onrax.com), 5 pages.

The Uncluttered Garage, "Webpage—Tuffrax", 2005, downloaded from [www.unclutteredgarageh.com/index.html](http://www.unclutteredgarageh.com/index.html), 5 pages.

\* cited by examiner



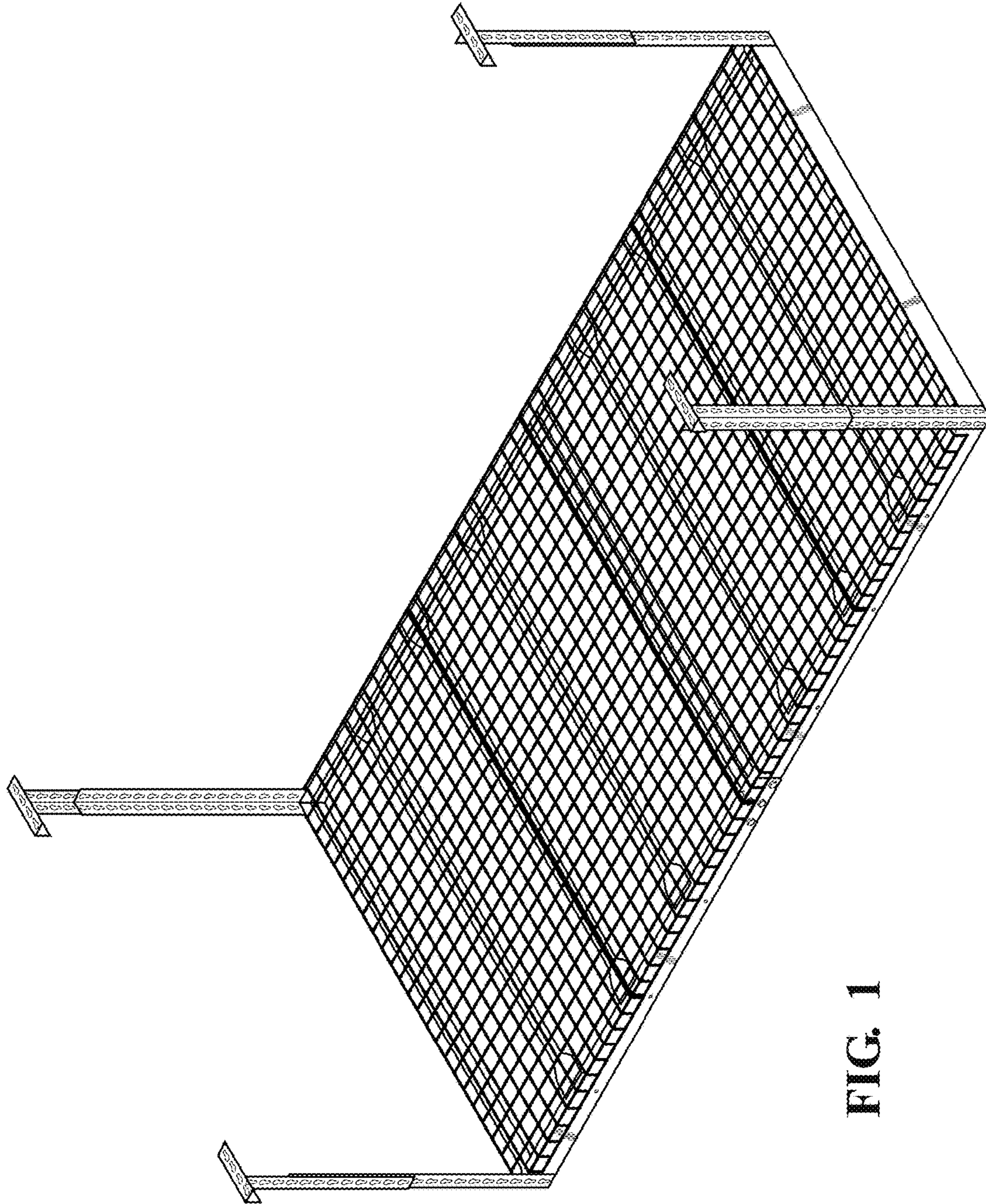


FIG. 1

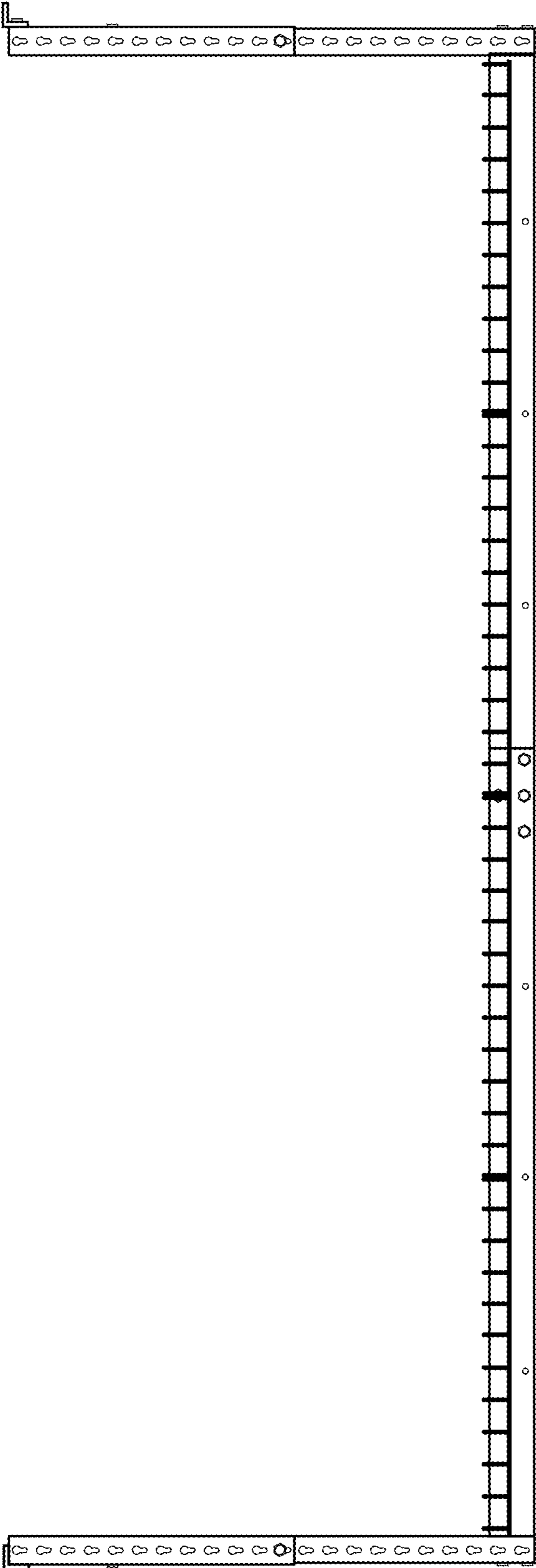


FIG. 2

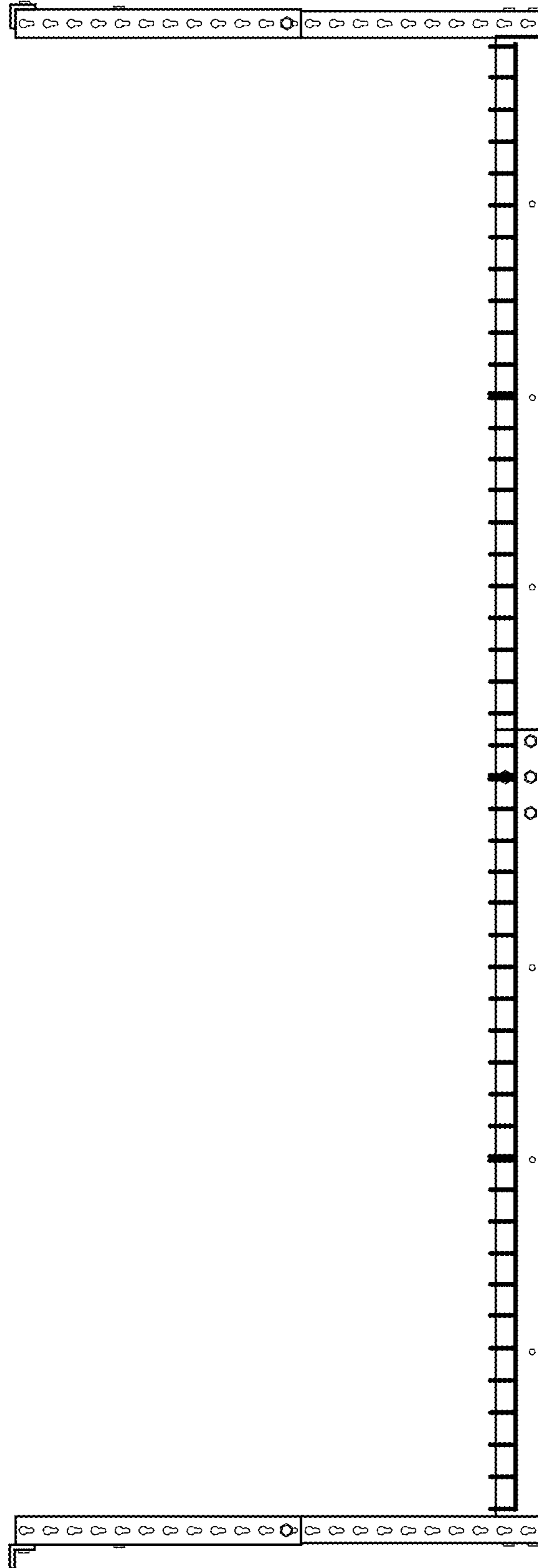


FIG. 3



FIG. 4



FIG. 5



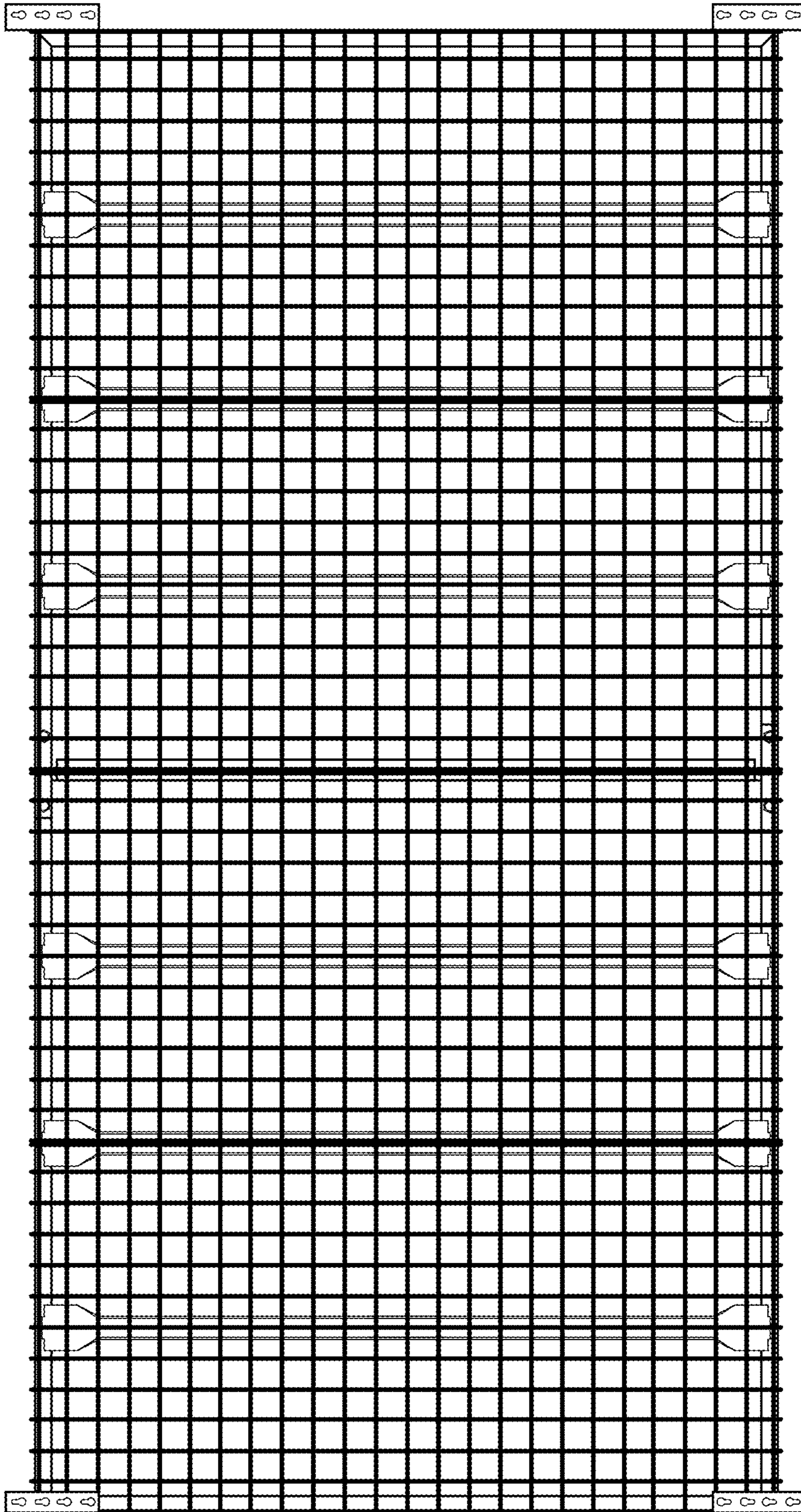


FIG. 6



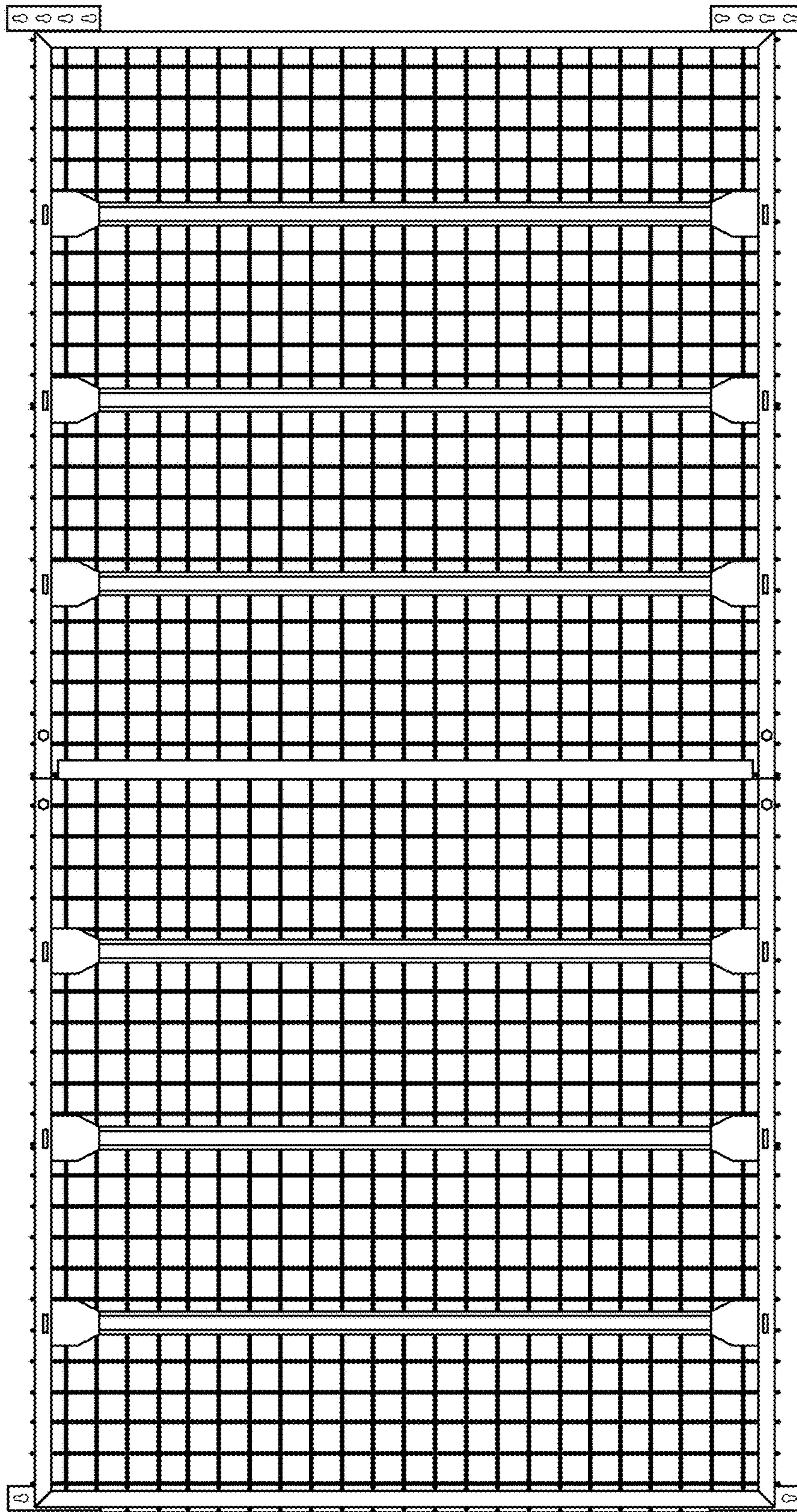


FIG. 7

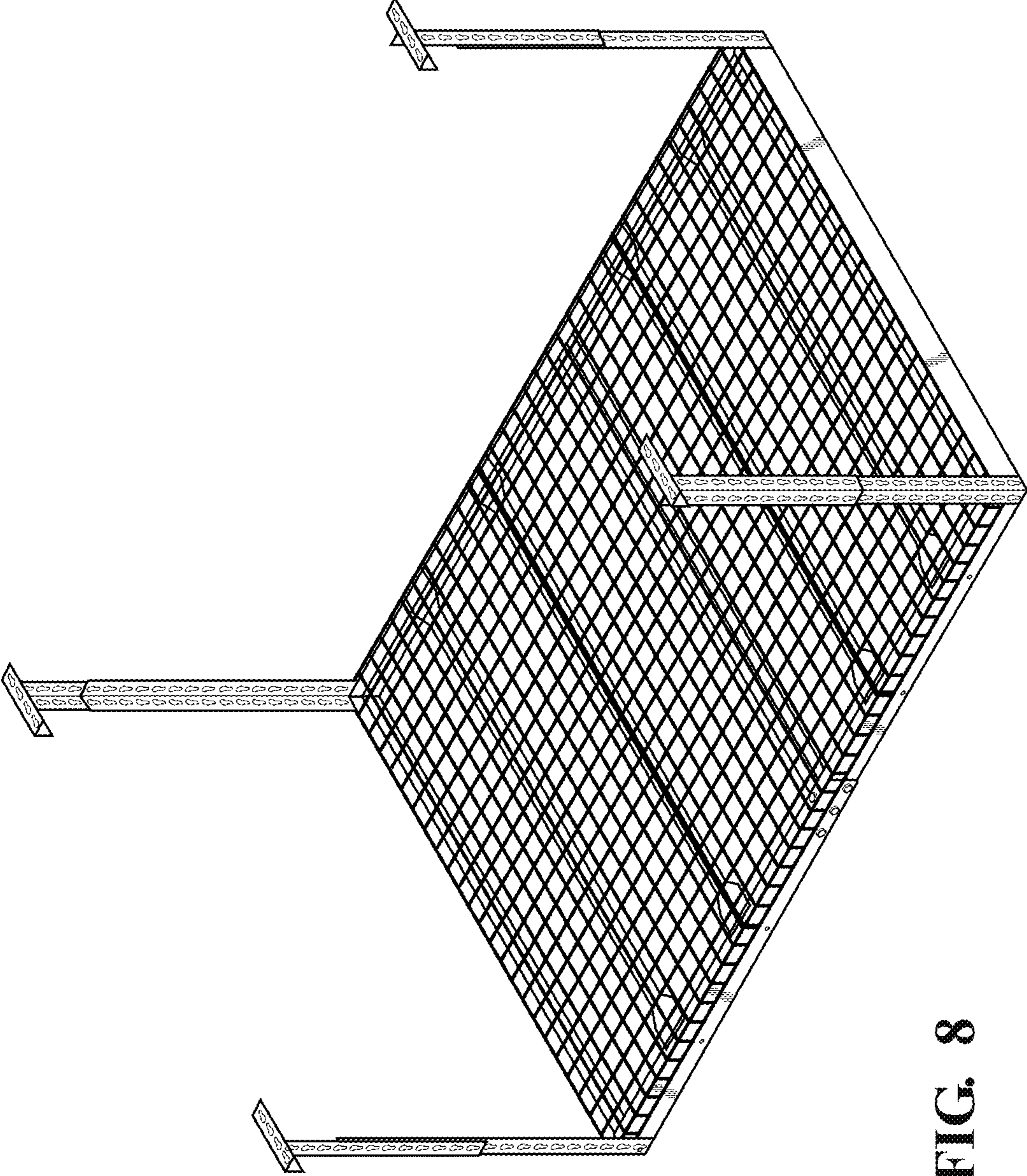


FIG. 8

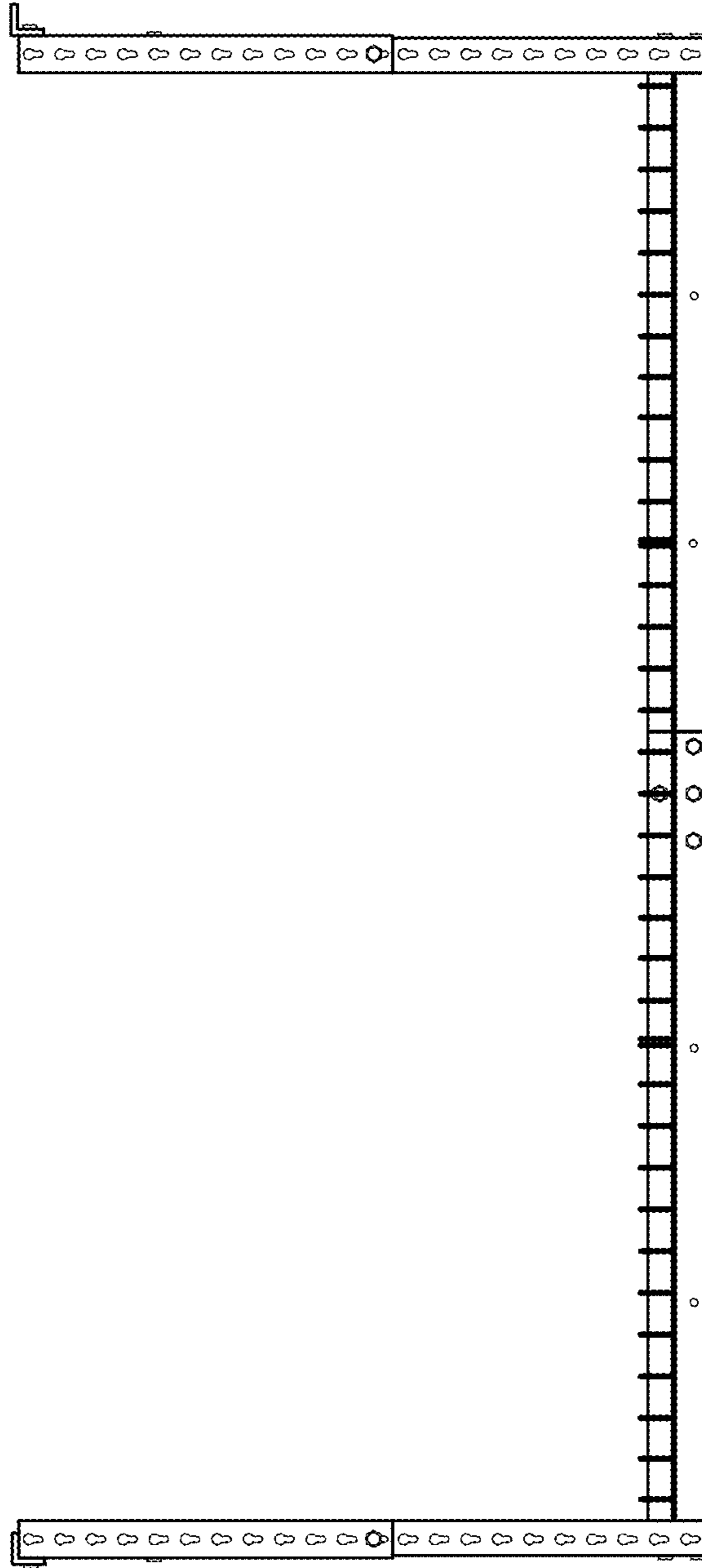


FIG. 9



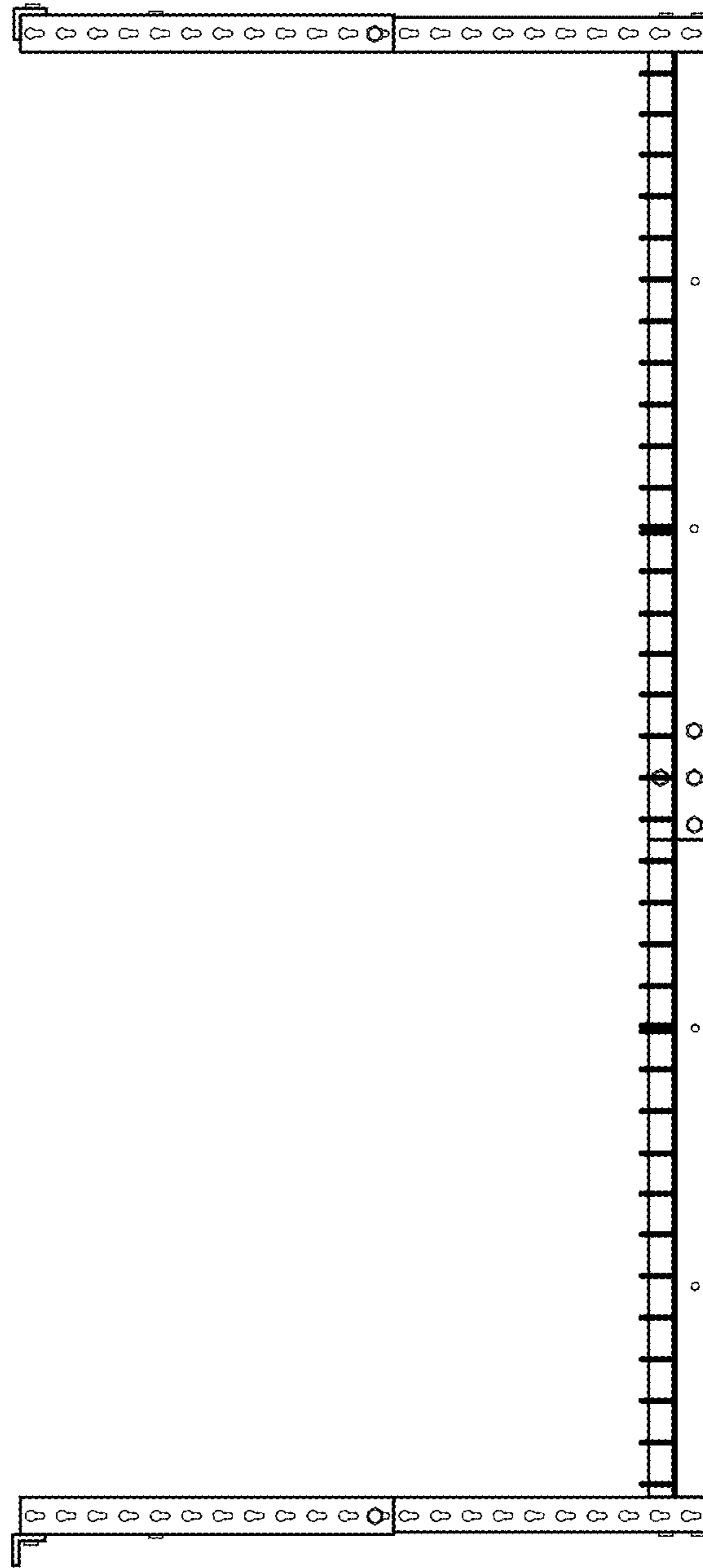


FIG. 10

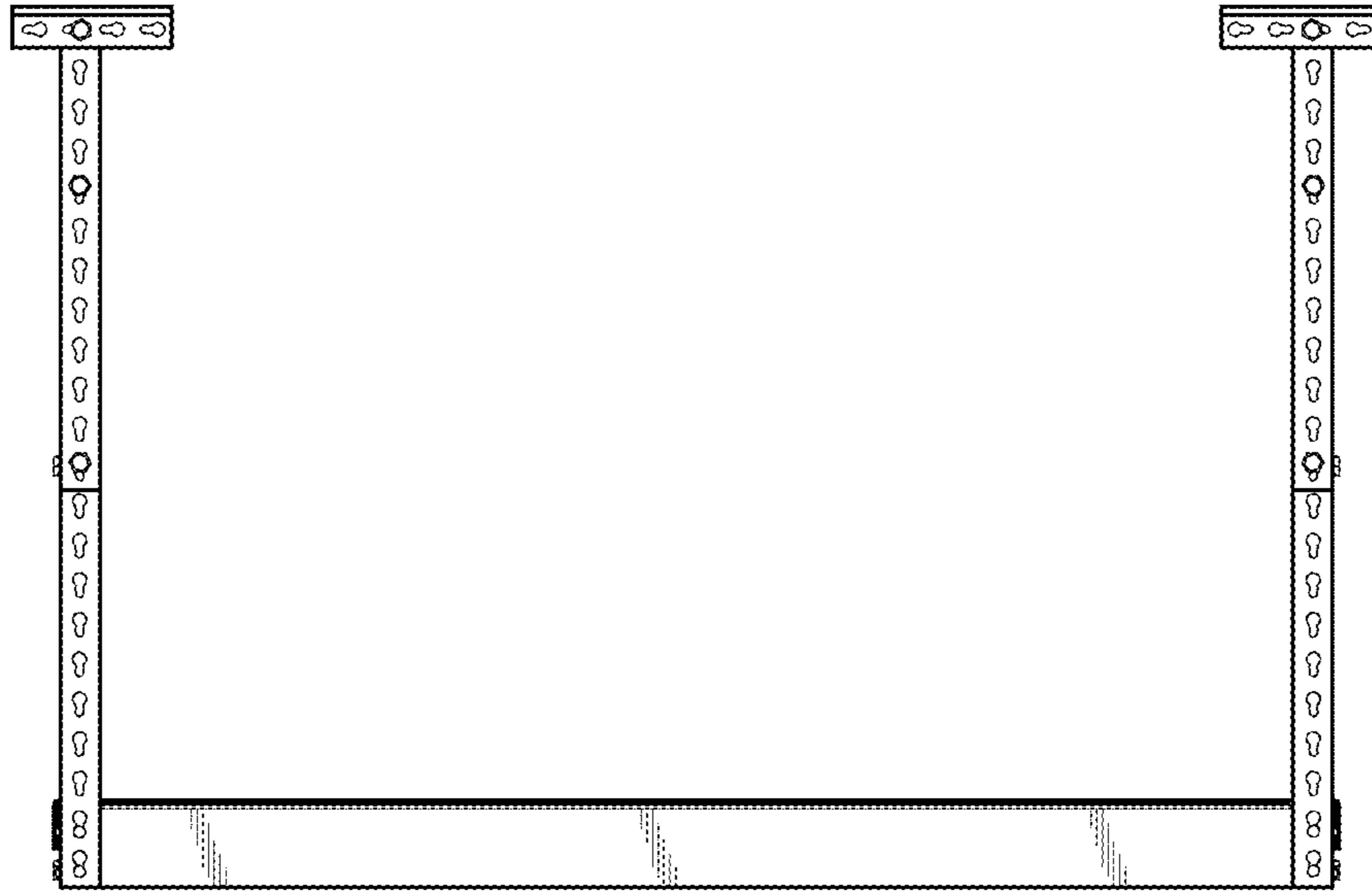


FIG. 11



FIG. 12

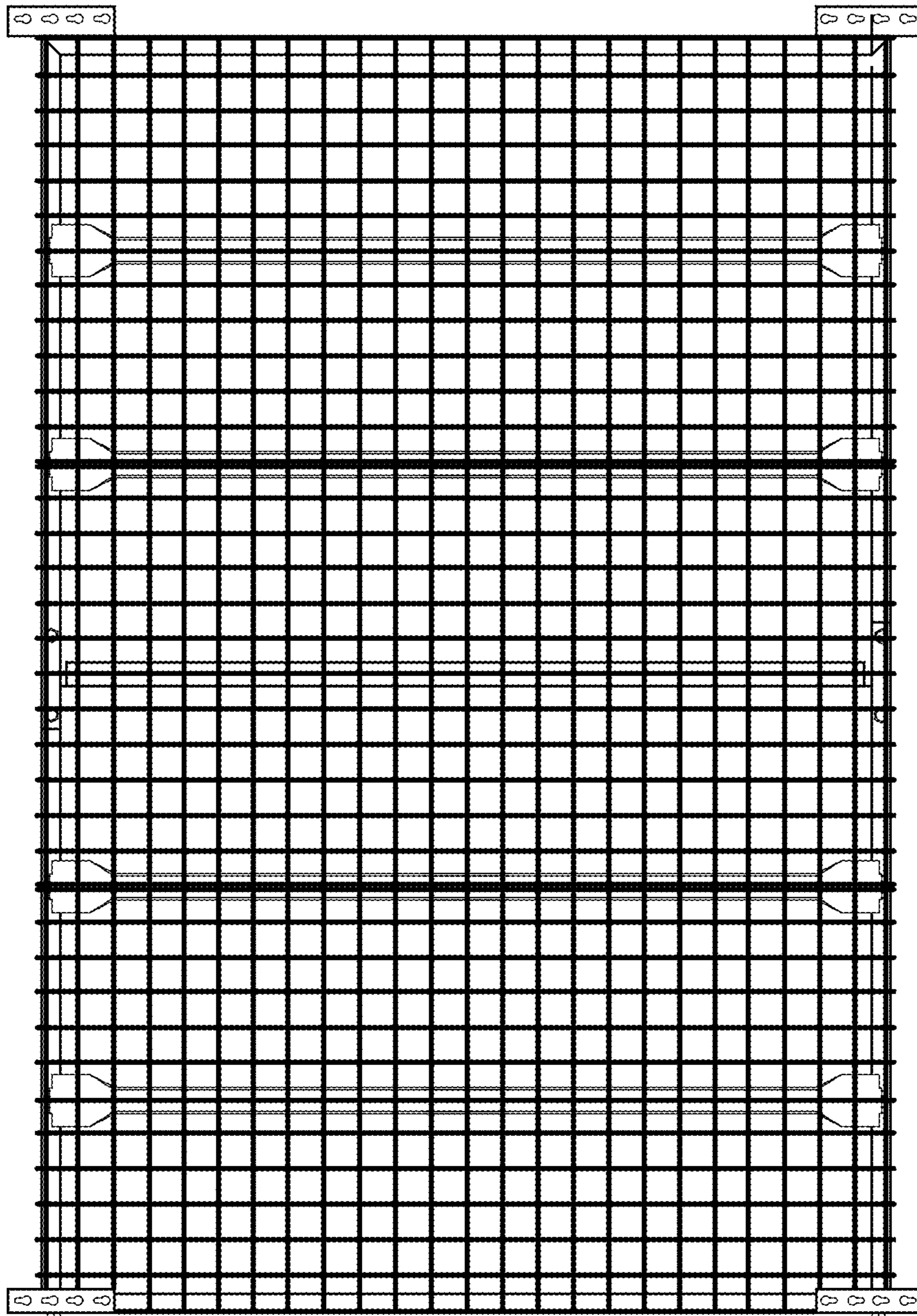


FIG. 13



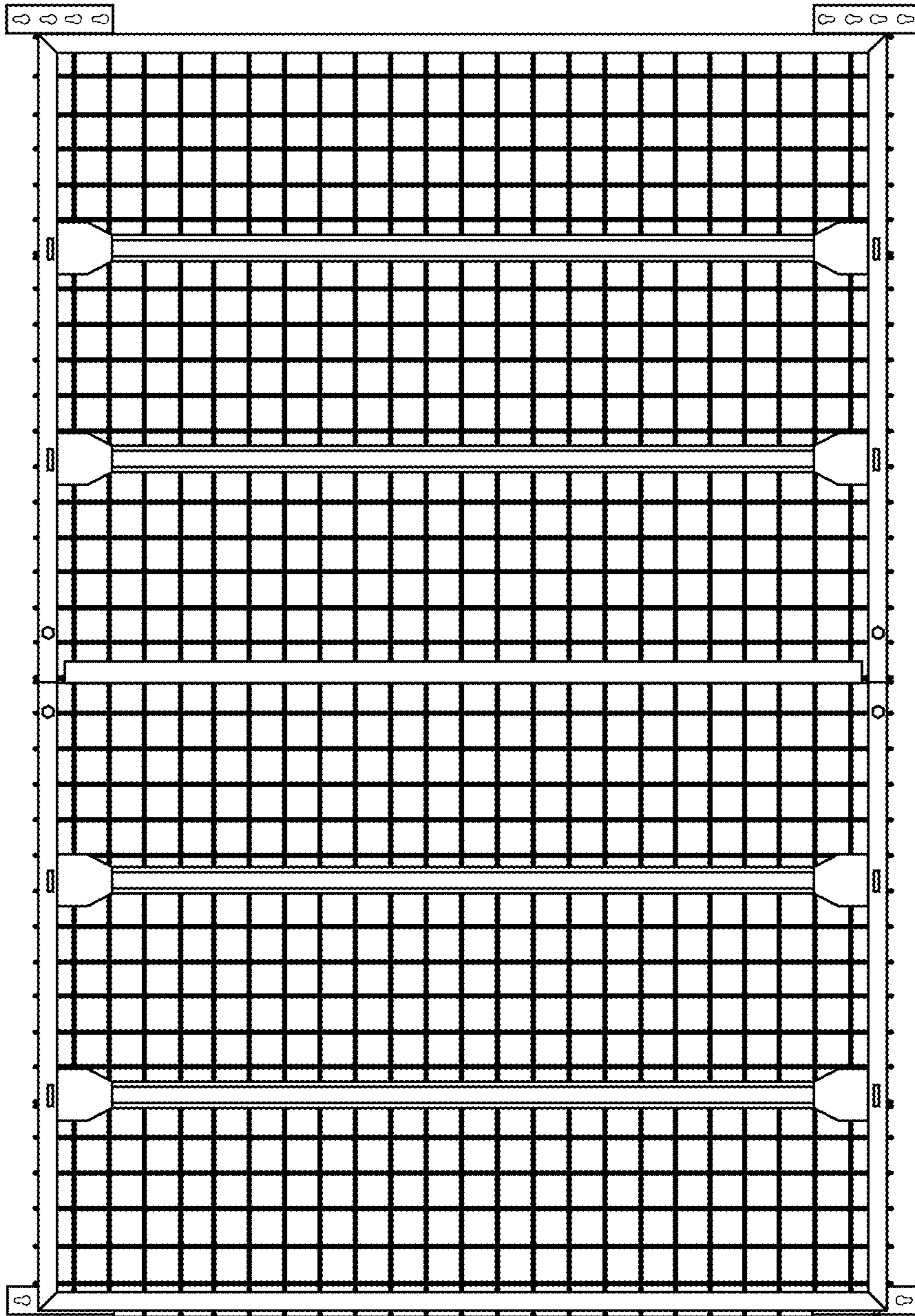


FIG. 14