



US00D781062S

(12) **United States Design Patent**
Probst

(10) **Patent No.:** **US D781,062 S**

(45) **Date of Patent:** **** Mar. 14, 2017**

- (54) **TRAVEL TRAY**
- (71) Applicant: **Alyson Probst**, Denver, CO (US)
- (72) Inventor: **Alyson Probst**, Denver, CO (US)
- (**) Term: **15 Years**
- (21) Appl. No.: **29/560,958**
- (22) Filed: **Apr. 12, 2016**
- (51) **LOC (10) Cl.** **06-06**
- (52) **U.S. Cl.**
USPC **D6/406.5**
- (58) **Field of Classification Search**
USPC D6/406.1, 406.2, 406.3, 406.4, 406.5,
D6/406.6, 310, 339, 419, 420, 449;
D7/550.1, 554.3; D12/426.1; D19/86, 92
CPC A47B 23/001; A47F 3/00; A47G 23/0608
See application file for complete search history.

- D679,924 S * 4/2013 Klein D6/566
- D693,610 S * 11/2013 Denby D6/675
- D723,830 S * 3/2015 Tcholakov D6/406.6
- D731,822 S * 6/2015 Klein D6/675

* cited by examiner

Primary Examiner — Kelley Donnelly
(74) *Attorney, Agent, or Firm* — Leyendecker & Lemire LLC

(57) **CLAIM**

The ornamental design for a travel tray, as shown and described.

DESCRIPTION

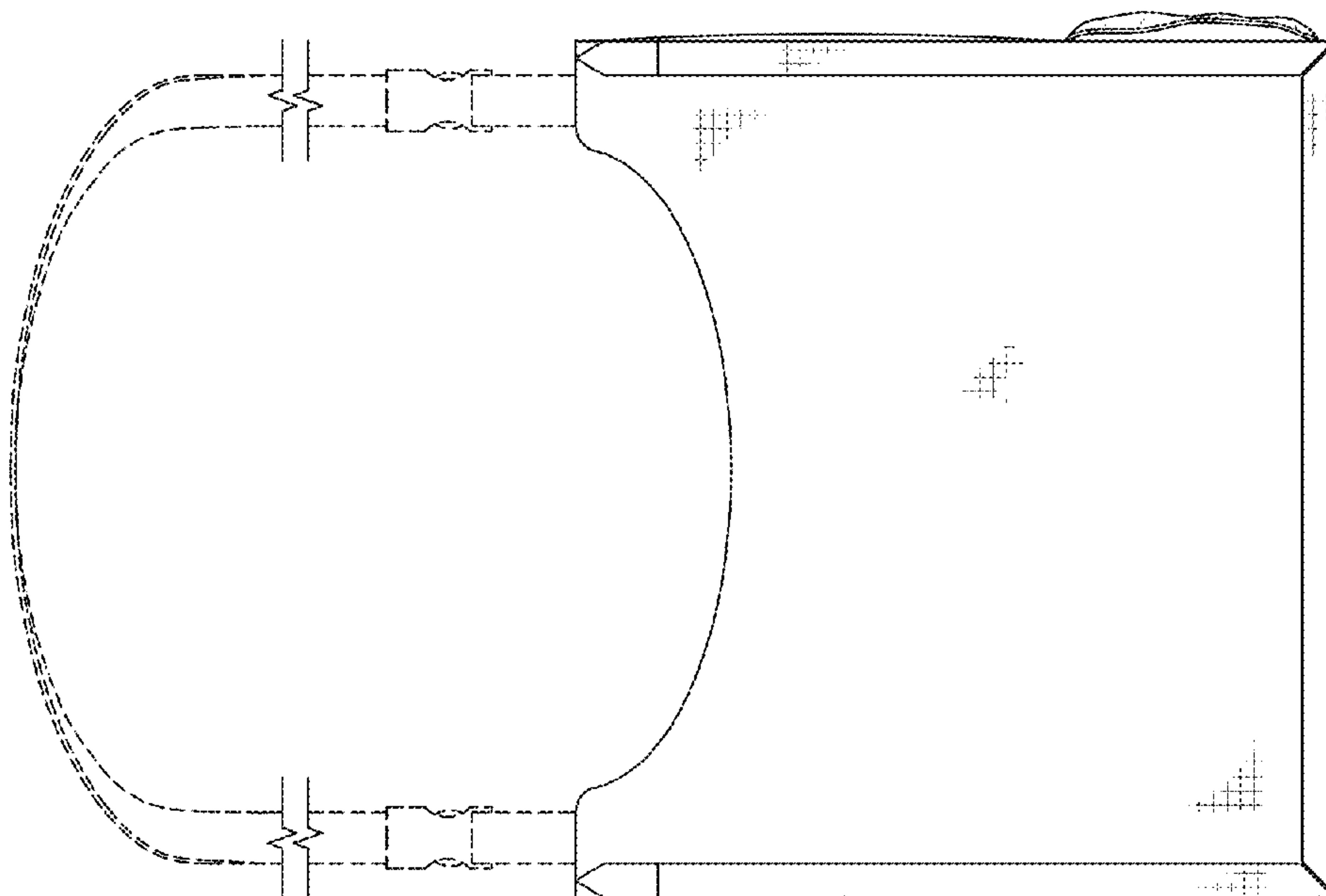
FIG. 1A is a front right perspective view of a travel tray according to the present invention.
 FIG. 1B is a left right perspective view of the travel tray according to the present invention.
 FIG. 2 is an top view of the travel tray according to the present invention.
 FIG. 3 is a left side view of the travel tray according to the present invention.
 FIG. 4 is a right side view of the travel tray according to the present invention.
 FIG. 5 is a rear view of the travel tray according to the present invention.
 FIG. 6 is a front view of the travel tray according to the present invention; and,
 FIG. 7 is a bottom view of the travel tray according to the present invention.
 The broken lines showing is included for the purpose of illustrating environment and forms no part of the claimed design.

(56) **References Cited**

U.S. PATENT DOCUMENTS

- D355,787 S * 2/1995 Rae D6/406.6
- D359,862 S * 7/1995 Rousch D12/419
- D377,273 S * 1/1997 Amos D6/406.6
- D390,718 S * 2/1998 Howland D6/406.6
- D404,219 S * 1/1999 Patterson D6/406.5
- D405,291 S * 2/1999 Yu D6/406.5
- D428,729 S * 8/2000 Weitzman D6/406.5
- D573,364 S * 7/2008 Johnson D12/133
- D591,074 S * 4/2009 Powers D6/406.6
- D609,500 S * 2/2010 Fieldhouse D6/678
- D611,735 S * 3/2010 Stukenberg D6/691.8
- D619,822 S * 7/2010 Damgaard-Sorensen .. D6/406.1
- D679,520 S * 4/2013 Wong D6/406.5

1 Claim, 8 Drawing Sheets



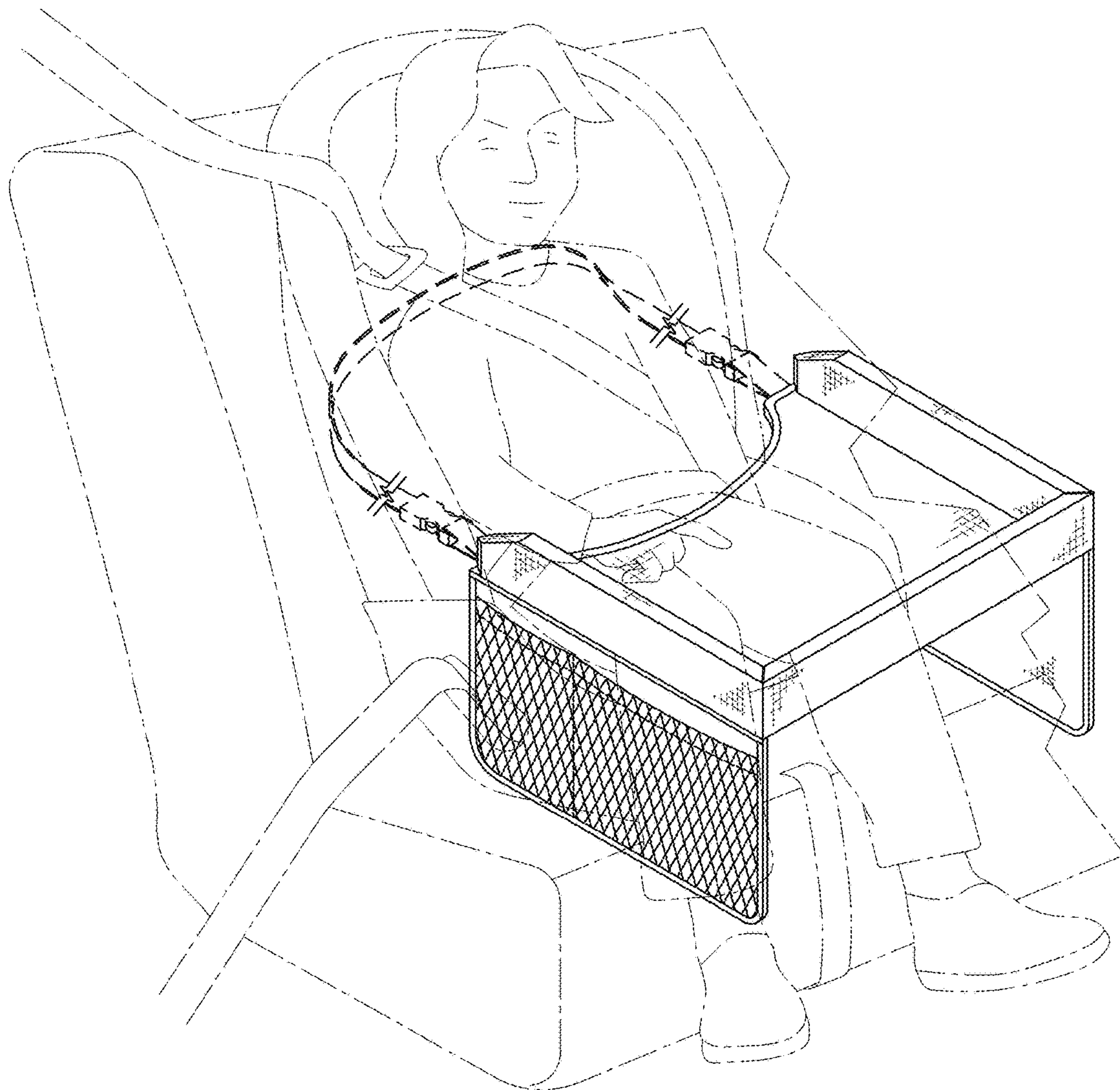


FIG. 1A

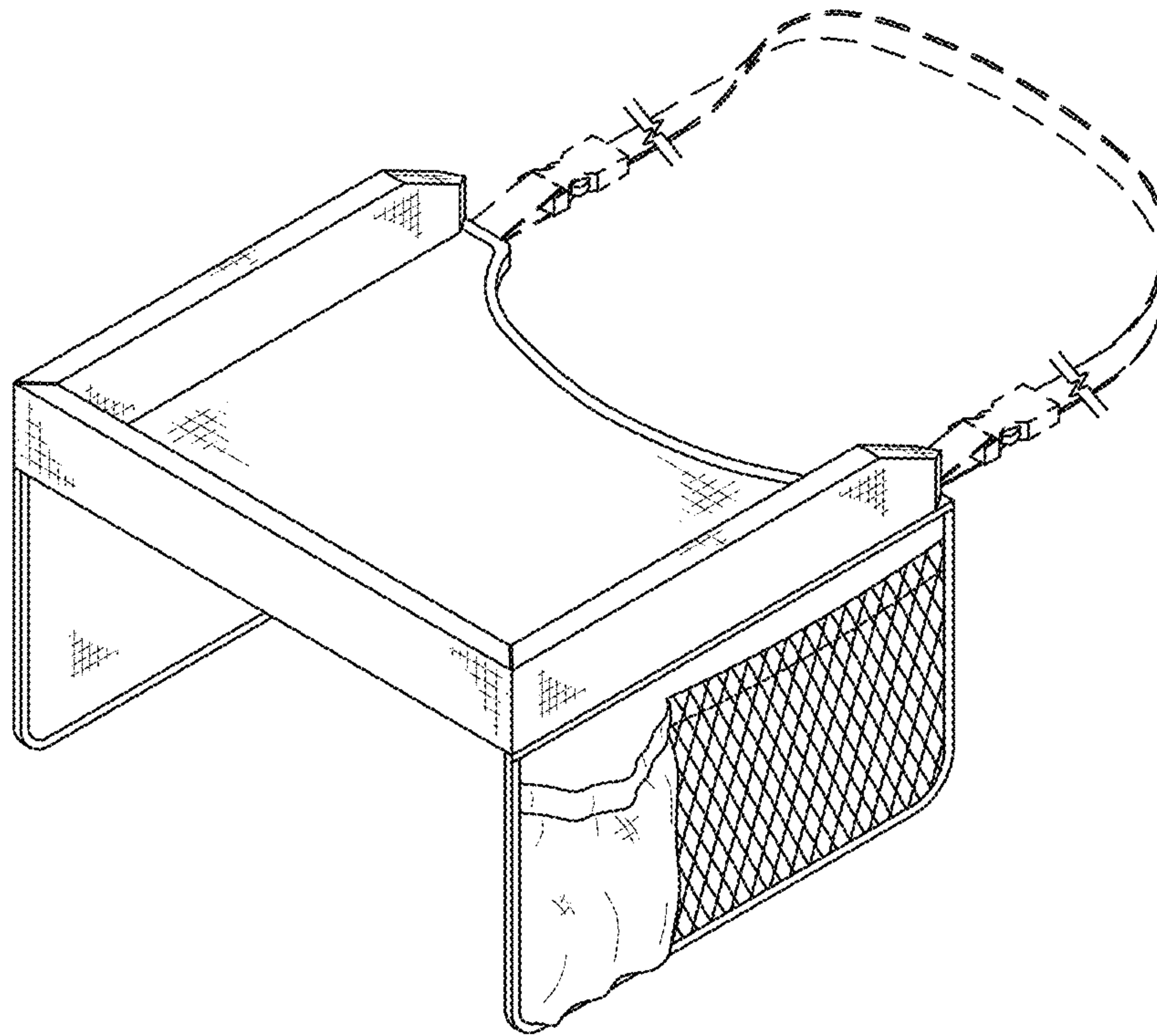


FIG. 1B

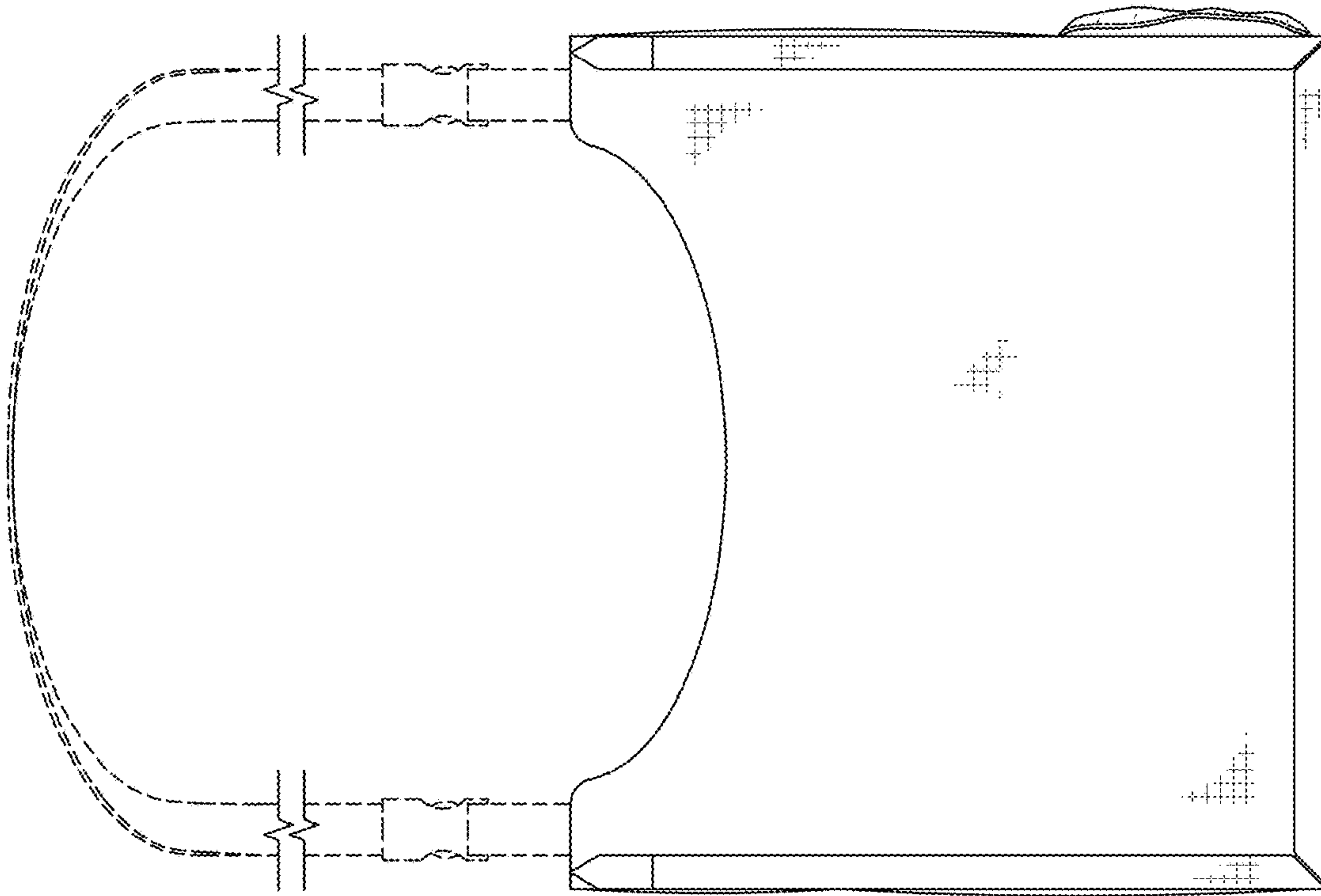


FIG. 2

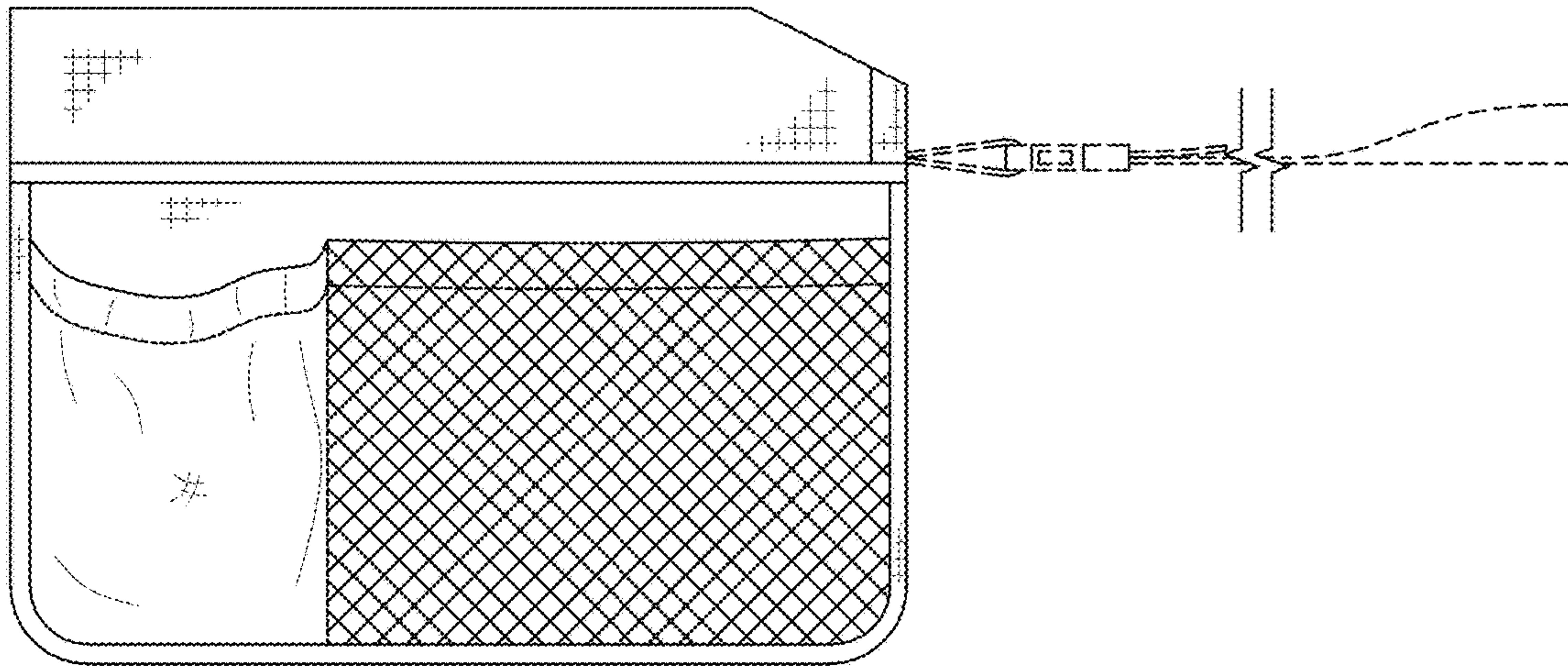


FIG. 3

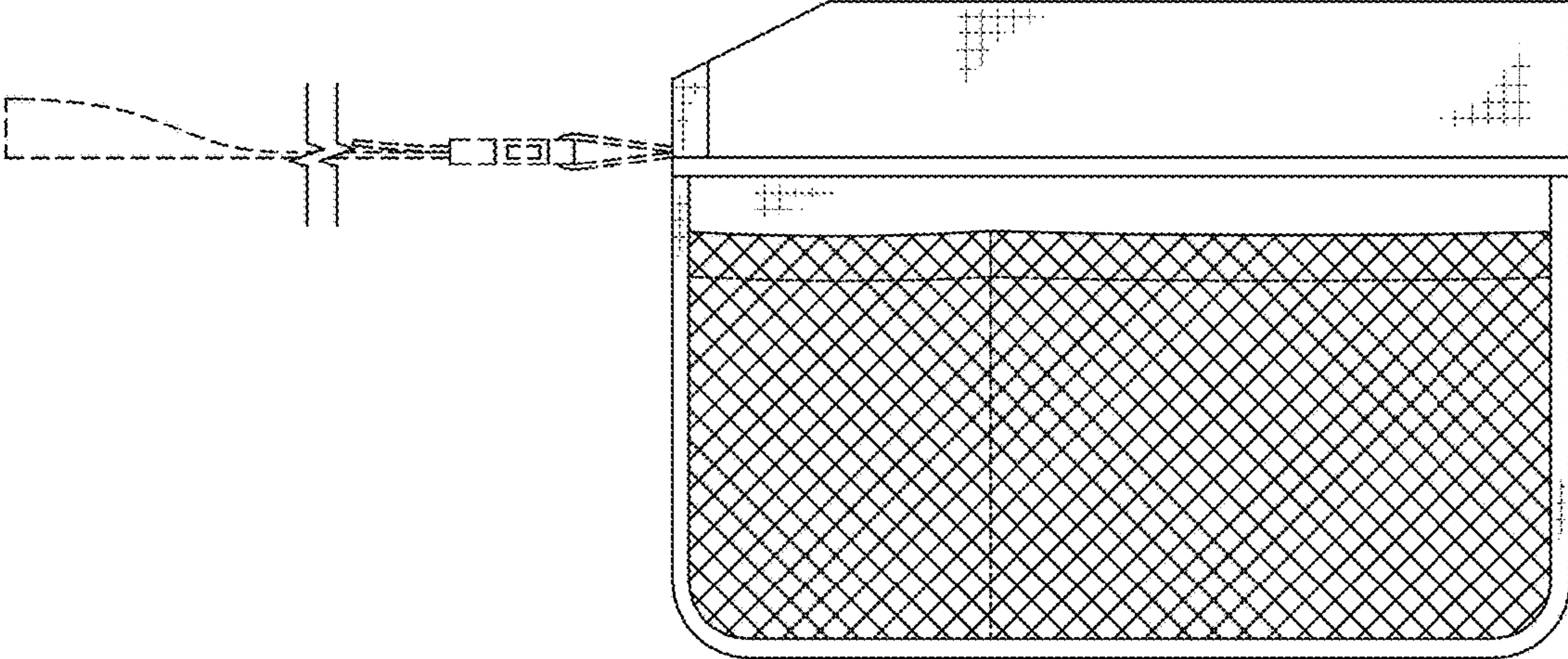


FIG. 4

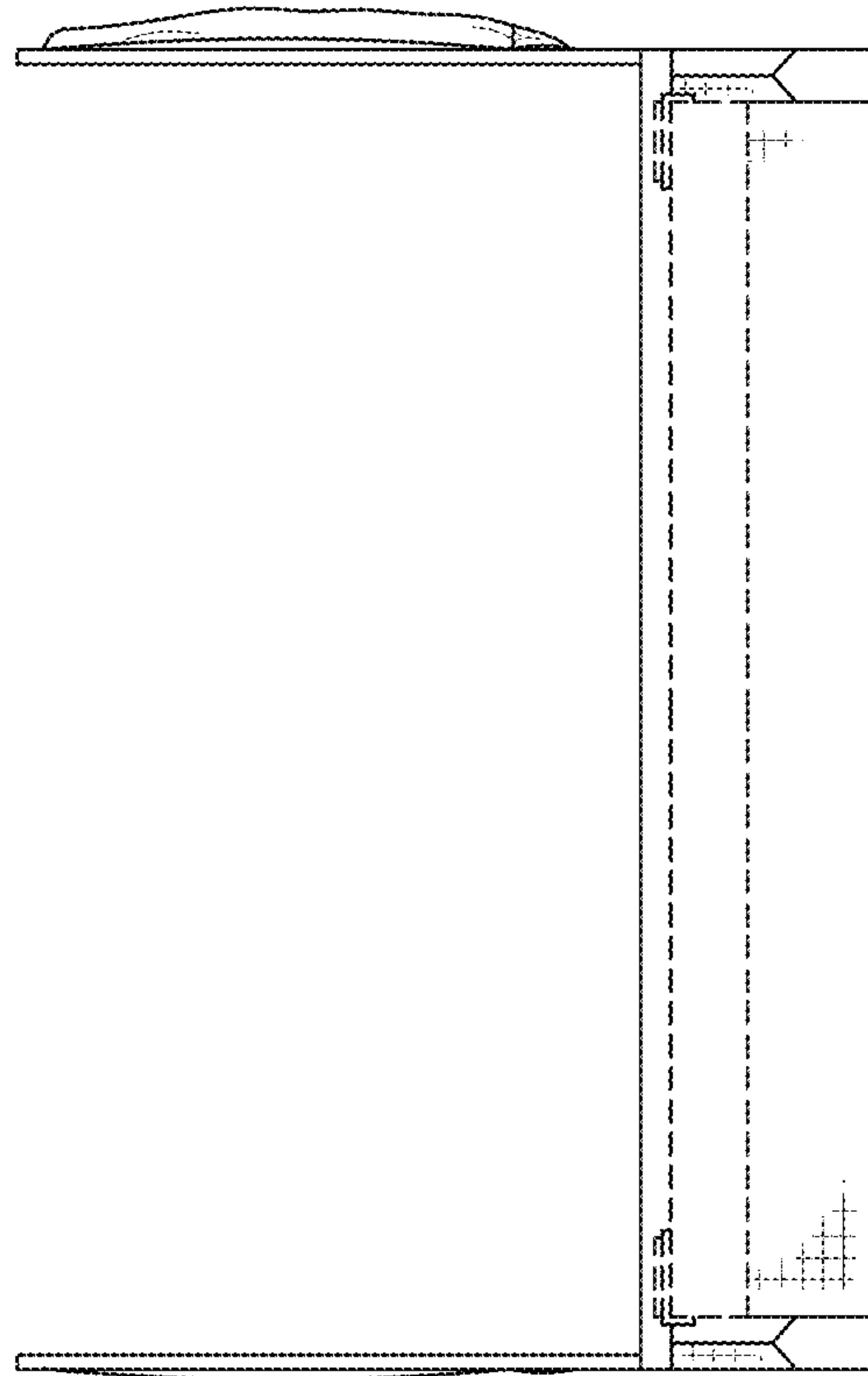


FIG. 5

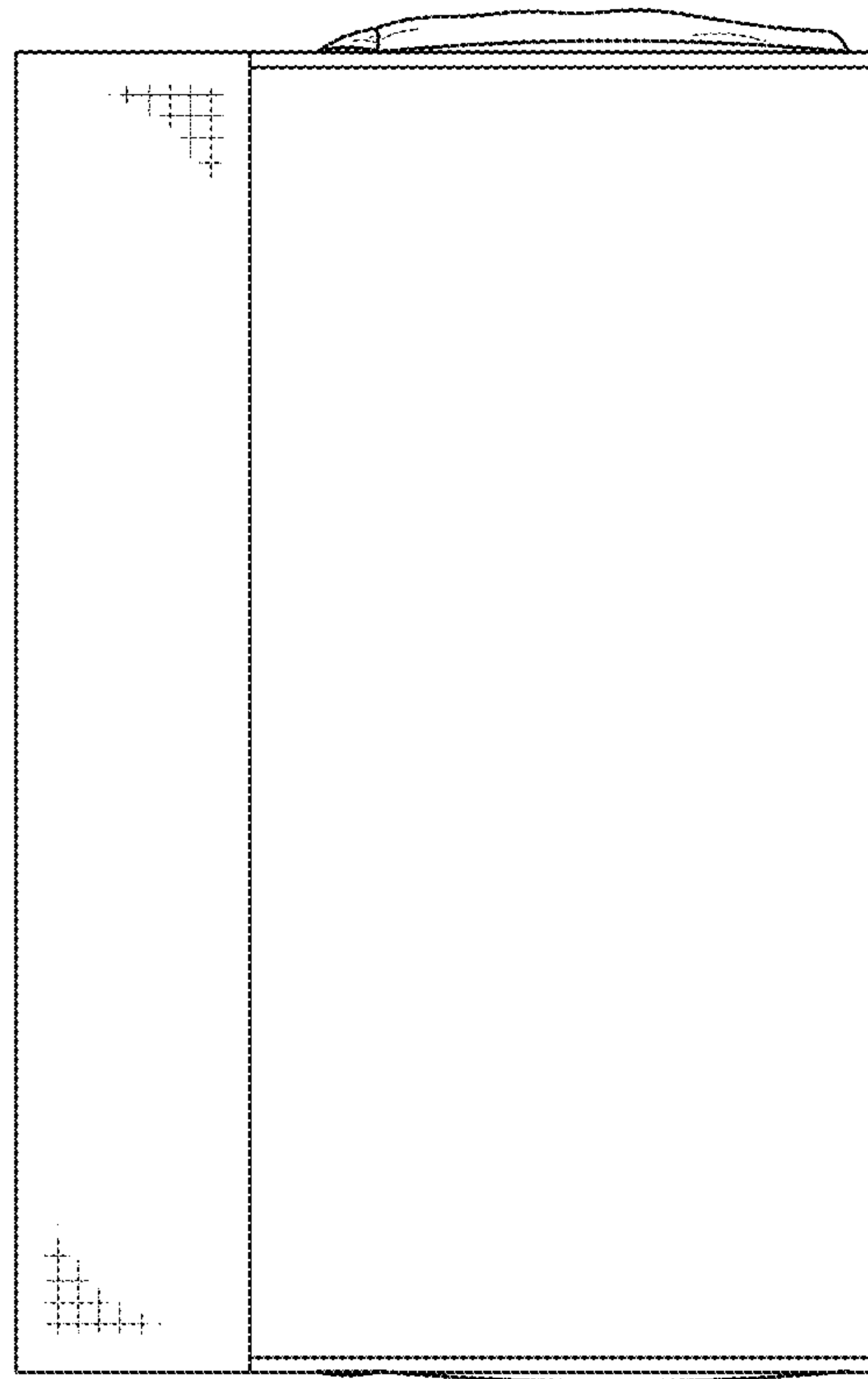


FIG. 6

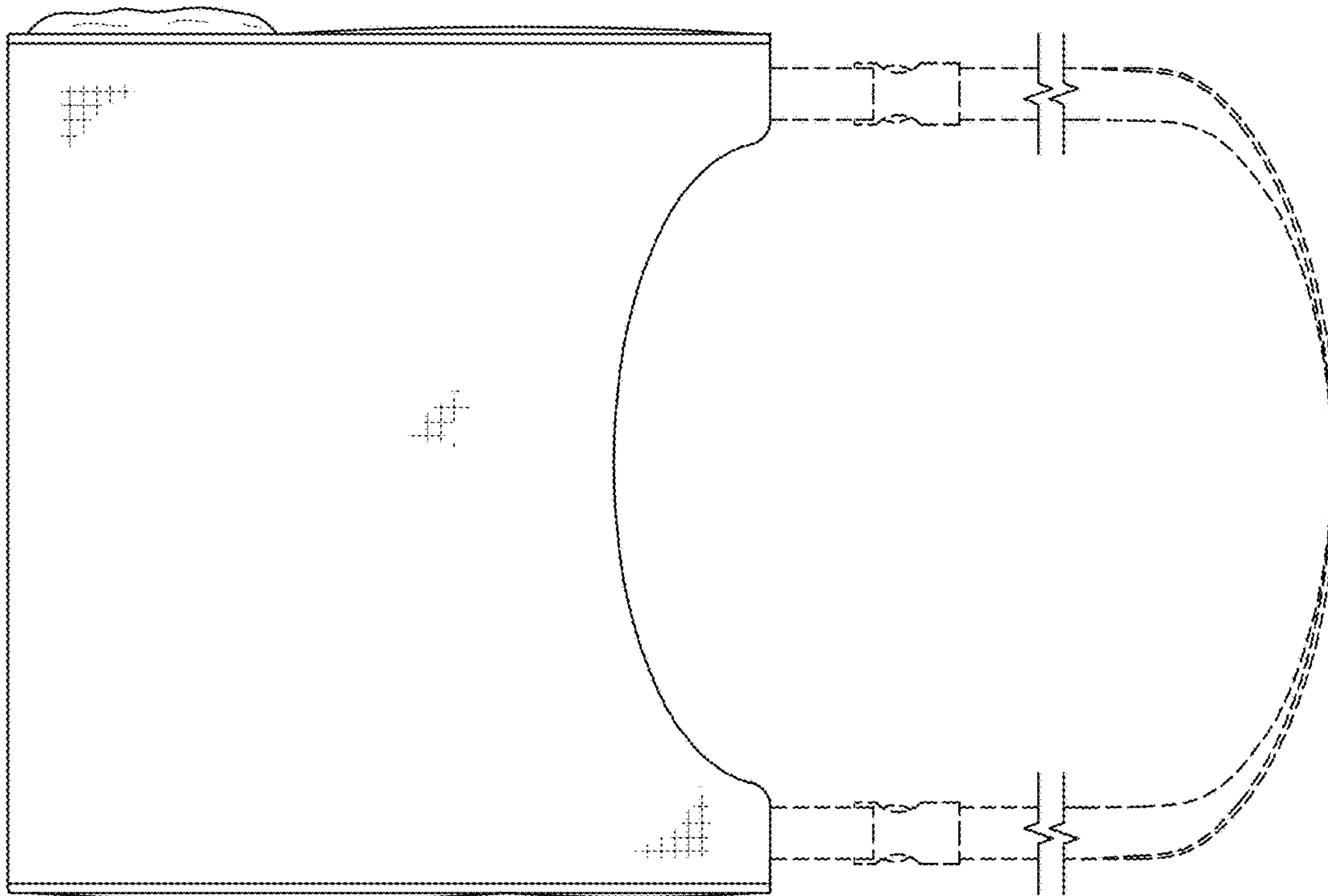


FIG. 7