



US00D781061S

(12) **United States Design Patent**
Merritt

(10) **Patent No.:** **US D781,061 S**

(45) **Date of Patent:** **** Mar. 14, 2017**

(54) **SWING BED**

(71) Applicant: **Tareo UK Limited**, London (GB)

(72) Inventor: **Michael Merritt**, London (GB)

(73) Assignee: **Tareo UK Limited** (GB)

(**) Term: **15 Years**

(21) Appl. No.: **29/561,768**

(22) Filed: **Apr. 20, 2016**

(30) **Foreign Application Priority Data**

Oct. 22, 2015 (EM) 002832758-0001

(51) **LOC (10) Cl.** **06-02**

(52) **U.S. Cl.**

USPC **D6/386**; D6/387; D6/347

(58) **Field of Classification Search**

USPC D6/385, 386, 387, 344, 346, 347

CPC A45F 3/22; A45F 3/24; A45F 3/26; A47C
17/64; A47C 17/84; A47D 9/02

See application file for complete search history.

(56) **References Cited**

U.S. PATENT DOCUMENTS

792,586	A *	6/1905	Edwards	A63H 33/20 446/49
1,765,721	A *	6/1930	Grossman	A63H 33/20 446/49
3,885,345	A *	5/1975	O'Neill	A63H 33/20 446/51
D287,909	S *	1/1987	Weiss	D21/797
D336,378	S *	6/1993	Kittridge	D6/344
D358,362	S *	5/1995	Haggard	D12/321
7,367,068	B2 *	5/2008	Huff	A45F 3/22 472/118

D679,104	S *	4/2013	Pouzet	D6/347
D682,565	S *	5/2013	McDonald	D6/347
9,067,146	B1 *	6/2015	Cordray	A63G 9/12
9,345,975	B2 *	5/2016	Xu	A63G 9/14
9,440,154	B1 *	9/2016	Cordray	A63G 9/00
2003/0140417	A1 *	7/2003	Huff	A47C 17/84 5/120
2005/0108821	A1 *	5/2005	Gardner	A47C 17/84 5/120
2012/0178543	A1 *	7/2012	Monachello	A63G 9/12 472/118
2015/0030790	A1 *	1/2015	Duncan, III	E04H 15/04 428/34.1

OTHER PUBLICATIONS

Hanging Bed, The Floating Bed Co., site visited Nov. 3, 2016, available online: <URL: <http://www.floatingbed.com/products/outdoor-beds/>>.*

* cited by examiner

Primary Examiner — Cathron Brooks

(74) *Attorney, Agent, or Firm* — Kaplan Breyer Schwarz & Ottesen, LLP

(57) **CLAIM**

The ornamental design for a swing bed, as shown and described.

DESCRIPTION

FIG. 1 is a front perspective view of a swing bed; FIG. 2 is a front elevation view of the swing bed; FIG. 3 is a rear elevation view of the swing bed; FIG. 4 is a side elevation view of the swing bed; FIG. 5 is an opposite side elevation view of the swing bed; and, FIG. 6 is top view of the swing bed.

1 Claim, 6 Drawing Sheets

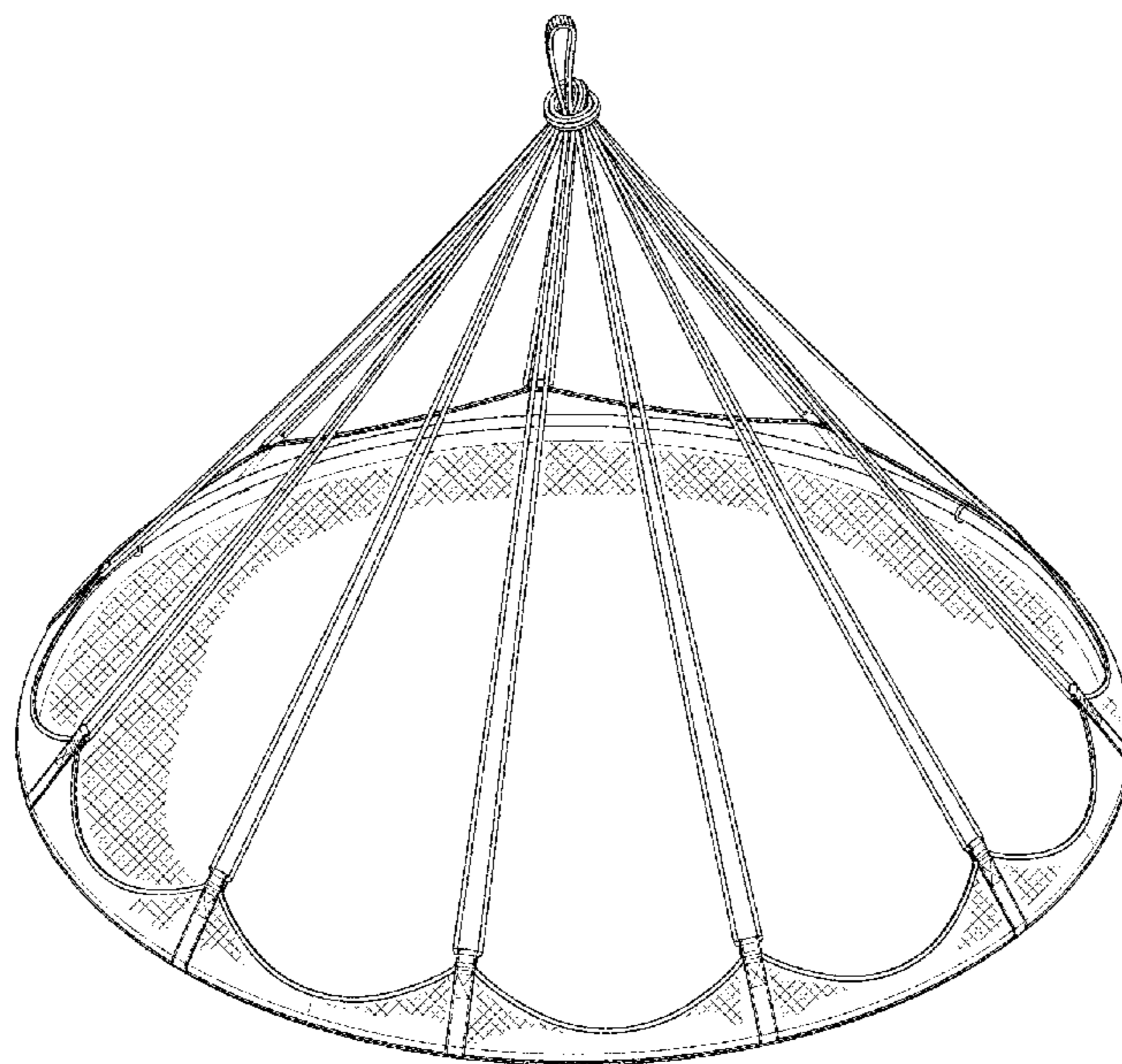




FIG. 1

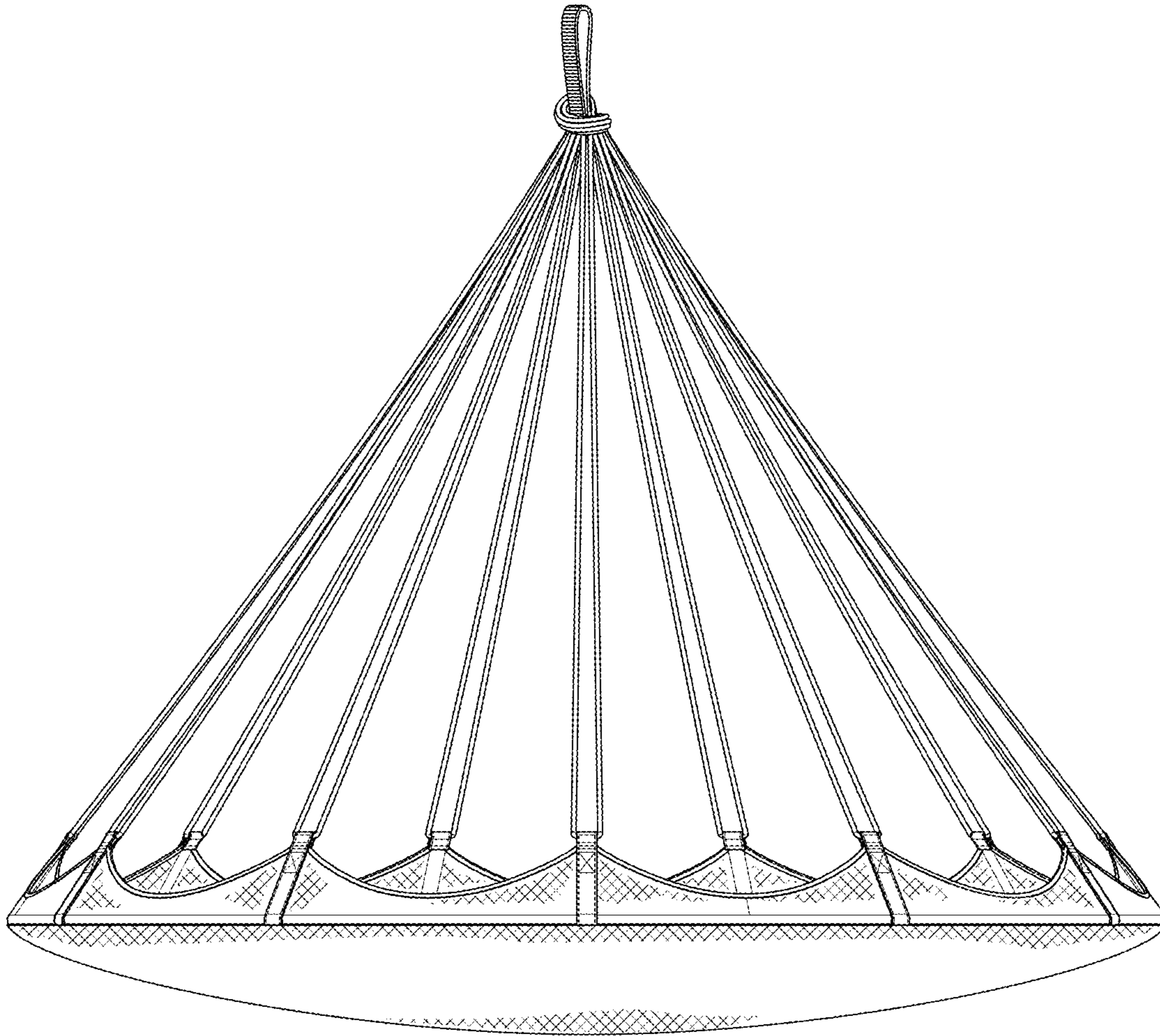


FIG. 2

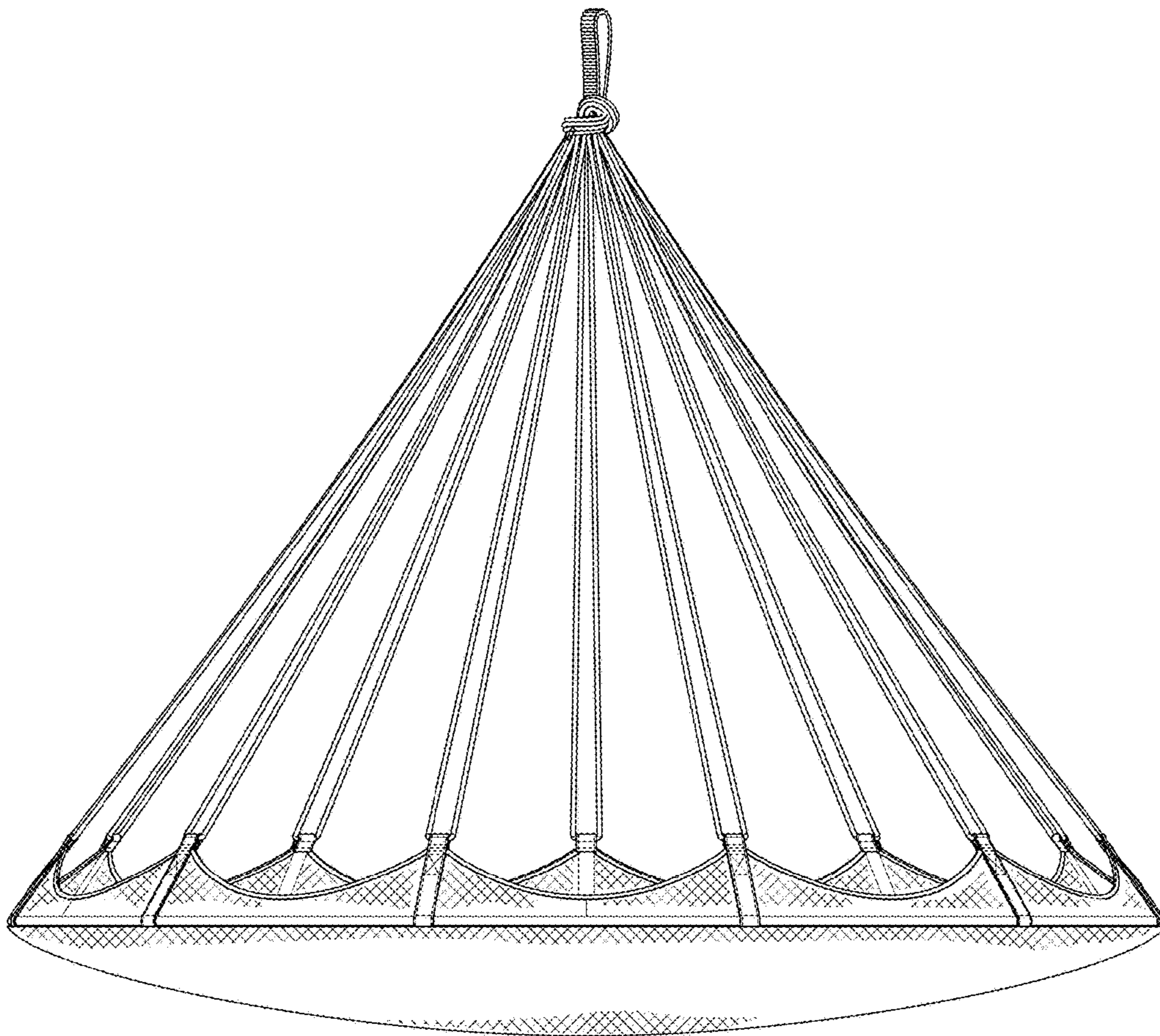


FIG. 3

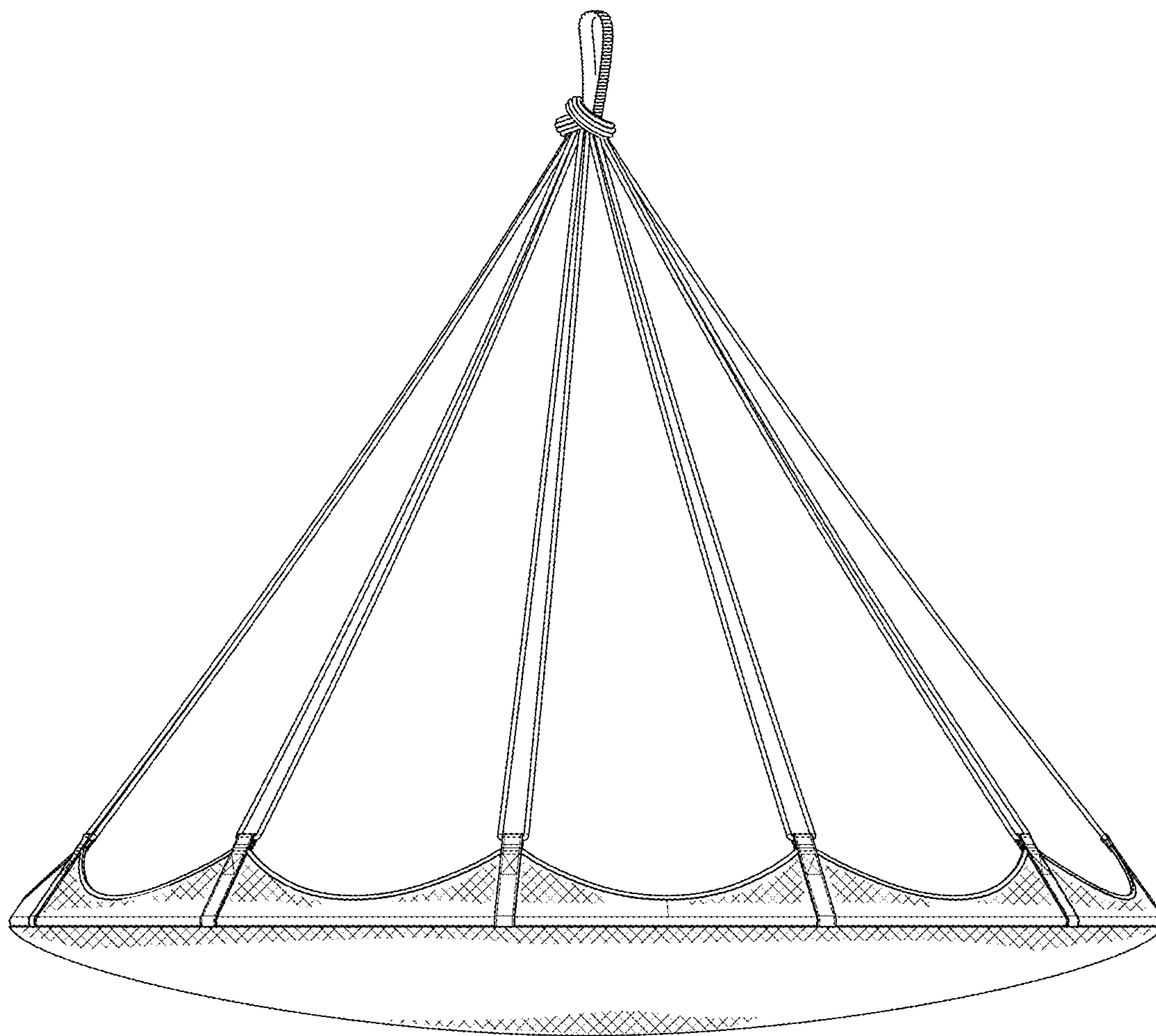


FIG. 4

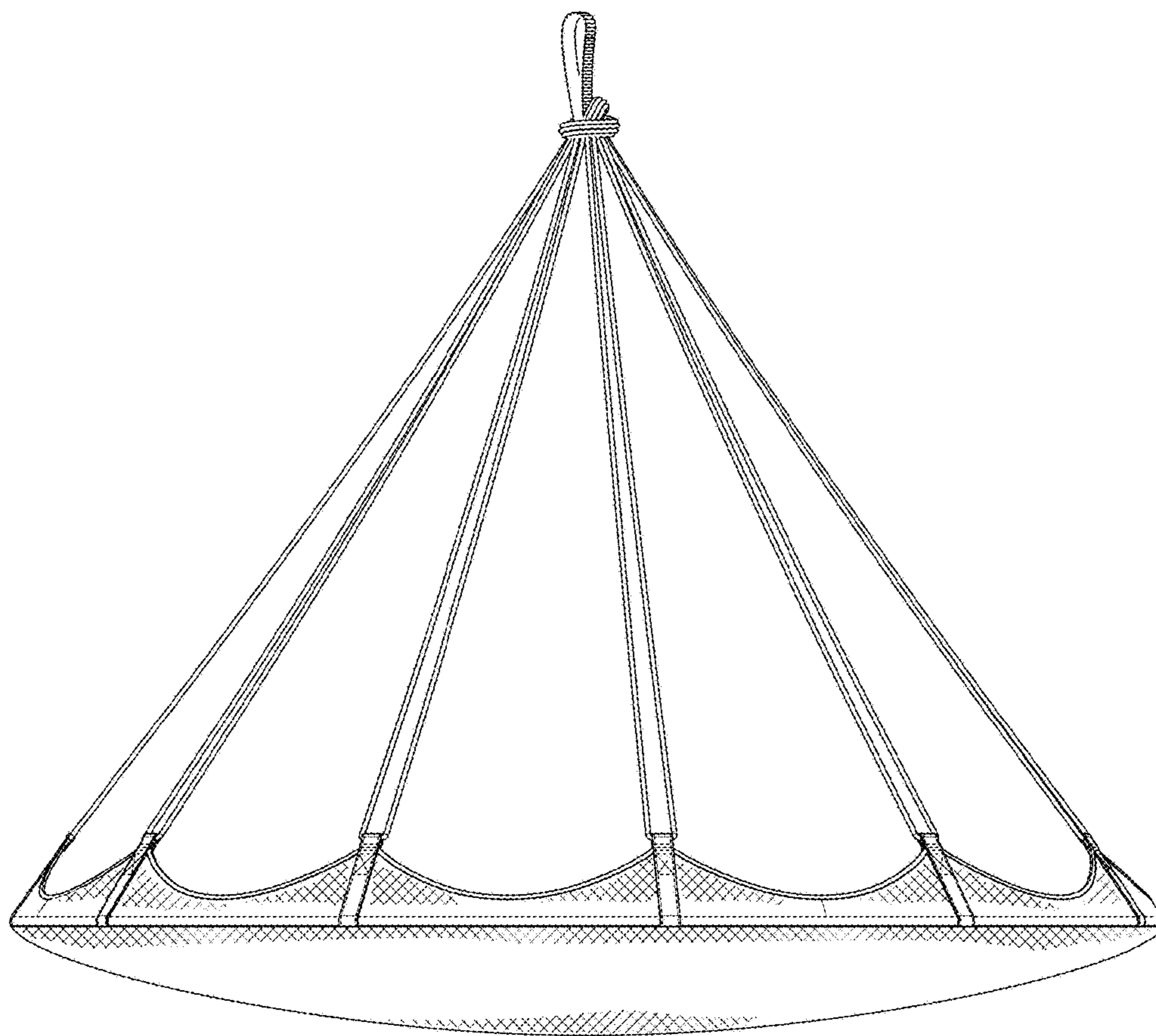


FIG. 5

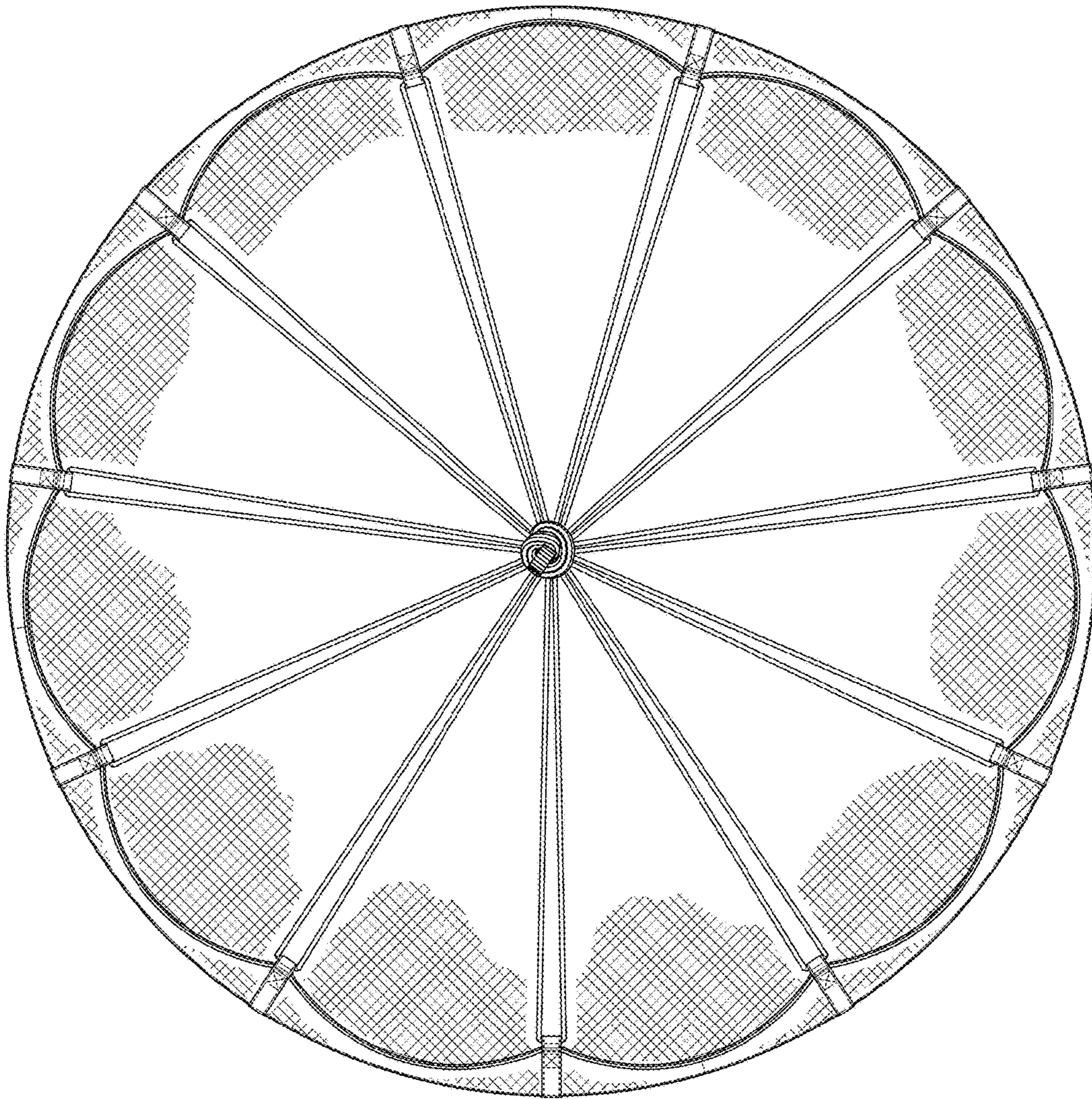


FIG. 6