



US00D781060S

(12) **United States Design Patent**
Zhang

(10) **Patent No.:** **US D781,060 S**

(45) **Date of Patent:** **** Mar. 14, 2017**

(54) **SINGLE ROCKING CHAIR**

(71) Applicant: **Xi Zhang**, Wenling (CN)

(72) Inventor: **Xi Zhang**, Wenling (CN)

(**) Term: **15 Years**

(21) Appl. No.: **29/534,752**

(22) Filed: **Jul. 30, 2015**

(30) **Foreign Application Priority Data**

Jan. 30, 2015 (CN) 2015 3 0028596

(51) **LOC (10) Cl.** **06-01**

(52) **U.S. Cl.**
USPC **D6/348**

(58) **Field of Classification Search**
USPC D6/334-336, 344, 347-348, 361,
D6/368-370, 716, 708.16, 716.1-716.4;
D21/823

CPC A45F 3/22; A45F 3/24; A45F 3/26; A47C
3/02; A47C 3/021; A47C 3/023; A47C
3/029; A47C 3/0255; A47C 3/12; A47C
5/04; A47C 7/282; A63G 9/00

See application file for complete search history.

(56) **References Cited**

U.S. PATENT DOCUMENTS

5,588,702 A * 12/1996 Litwin A47C 3/0255
297/172
D522,259 S * 6/2006 Wu D6/347

D531,826 S *	11/2006	Nutsos	D6/347
D548,472 S *	8/2007	Habing	D6/347
D699,453 S *	2/2014	Weng	D6/347
D705,552 S *	5/2014	Zheng	D6/347
D705,553 S *	5/2014	Zheng	D6/347
D728,949 S *	5/2015	Fang	D6/348
D734,046 S *	7/2015	Shen	D6/347
D734,619 S *	7/2015	Pan	D6/347
D734,620 S *	7/2015	Fang	D6/347
D752,351 S *	3/2016	Pan	D6/347
D766,001 S *	9/2016	Stoter	D6/347

* cited by examiner

Primary Examiner — Ricky Pham

(74) *Attorney, Agent, or Firm* — Schmeiser, Olsen & Watts, LLP

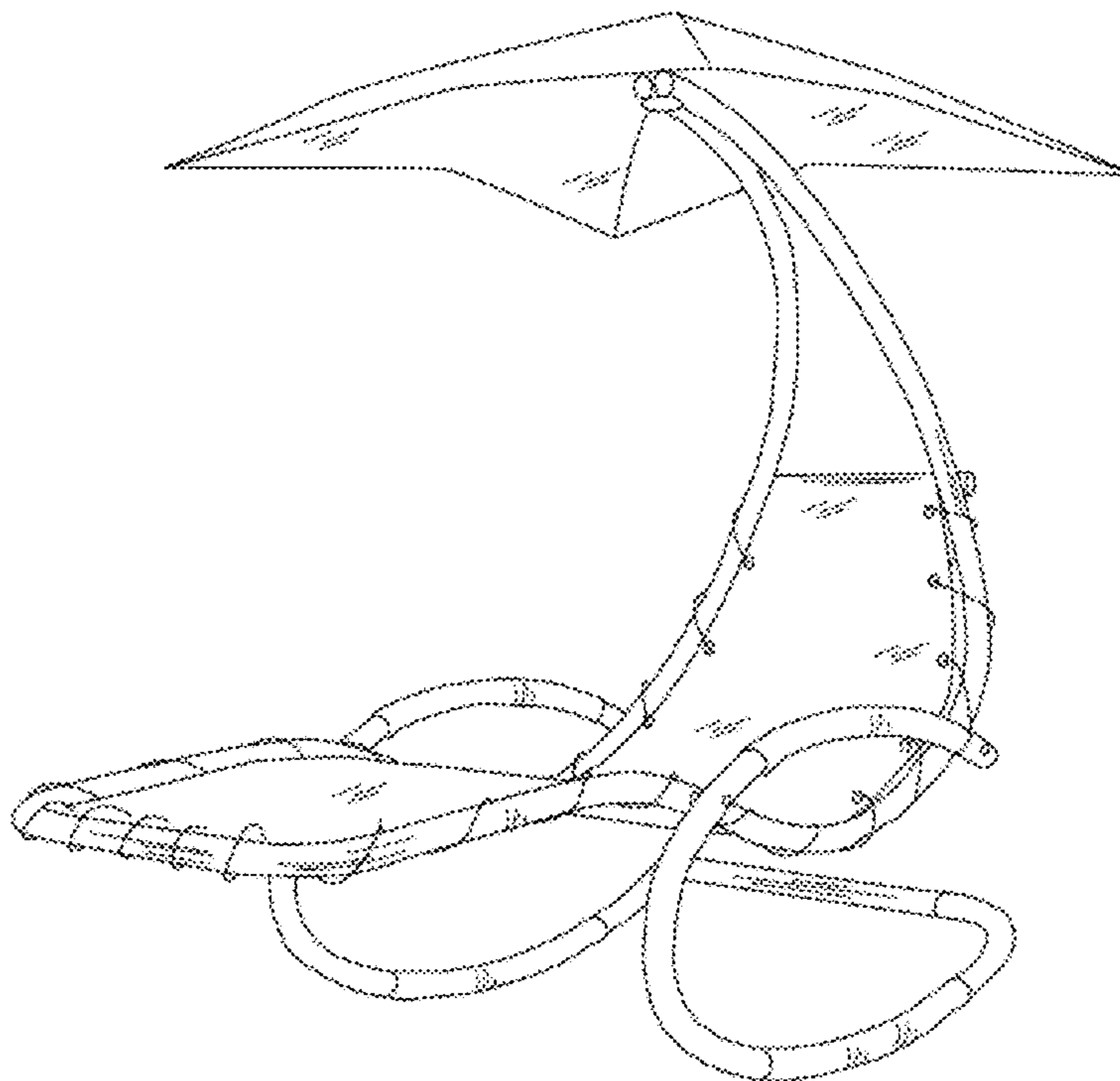
(57) **CLAIM**

The ornamental design for a single rocking chair, as shown and described.

DESCRIPTION

FIG. 1 is a Front elevational view of a single rocking chair showing my new design;
FIG. 2 is a Rear elevational view thereof;
FIG. 3 is a Left side view thereof;
FIG. 4 is a Right side view thereof;
FIG. 5 is a Top plan view thereof;
FIG. 6 is a Bottom plan view thereof;
FIG. 7 is a perspective view thereof; and,
FIG. 8 is another perspective view (from bottom side) thereof.

1 Claim, 8 Drawing Sheets



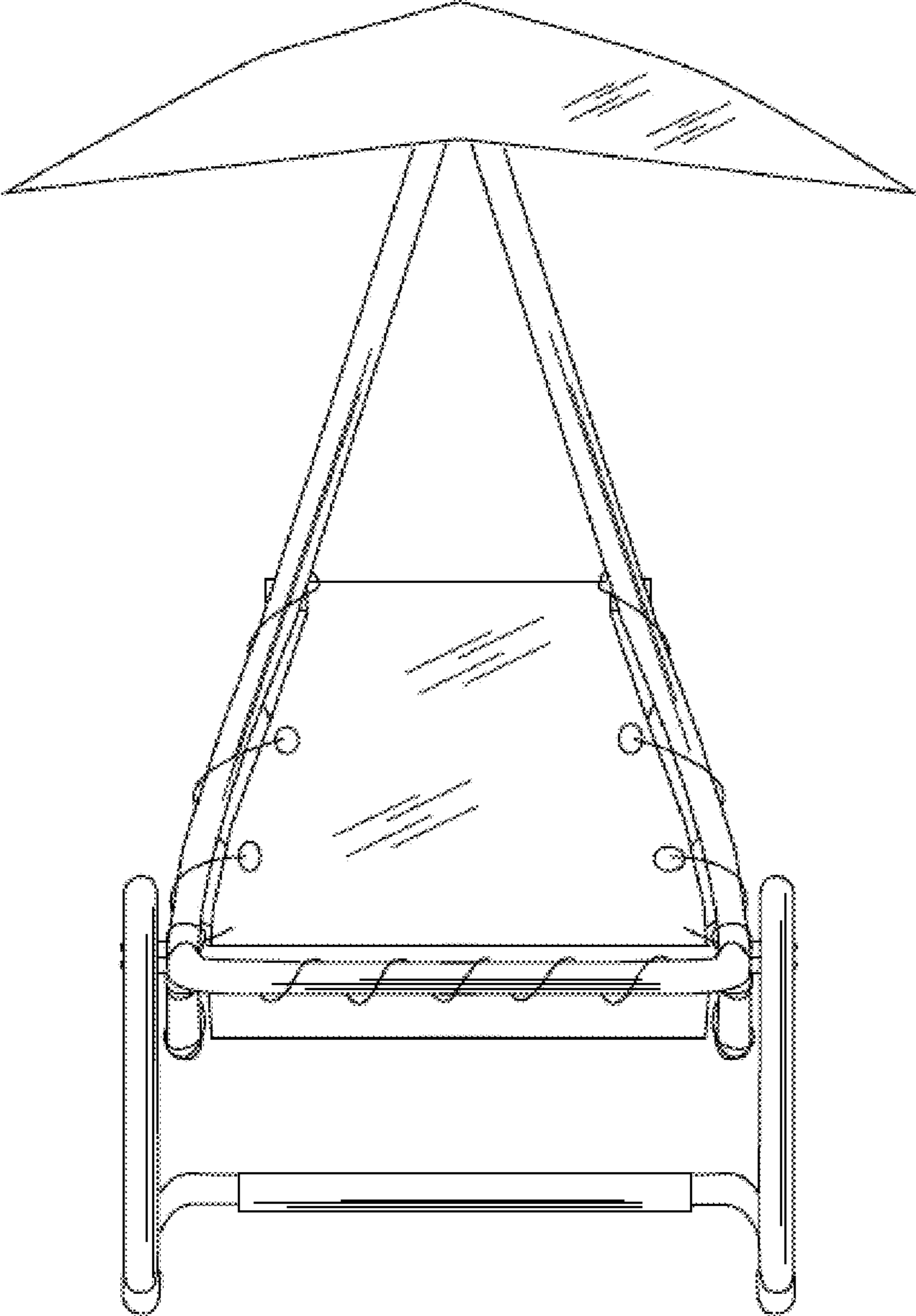


FIG. 1

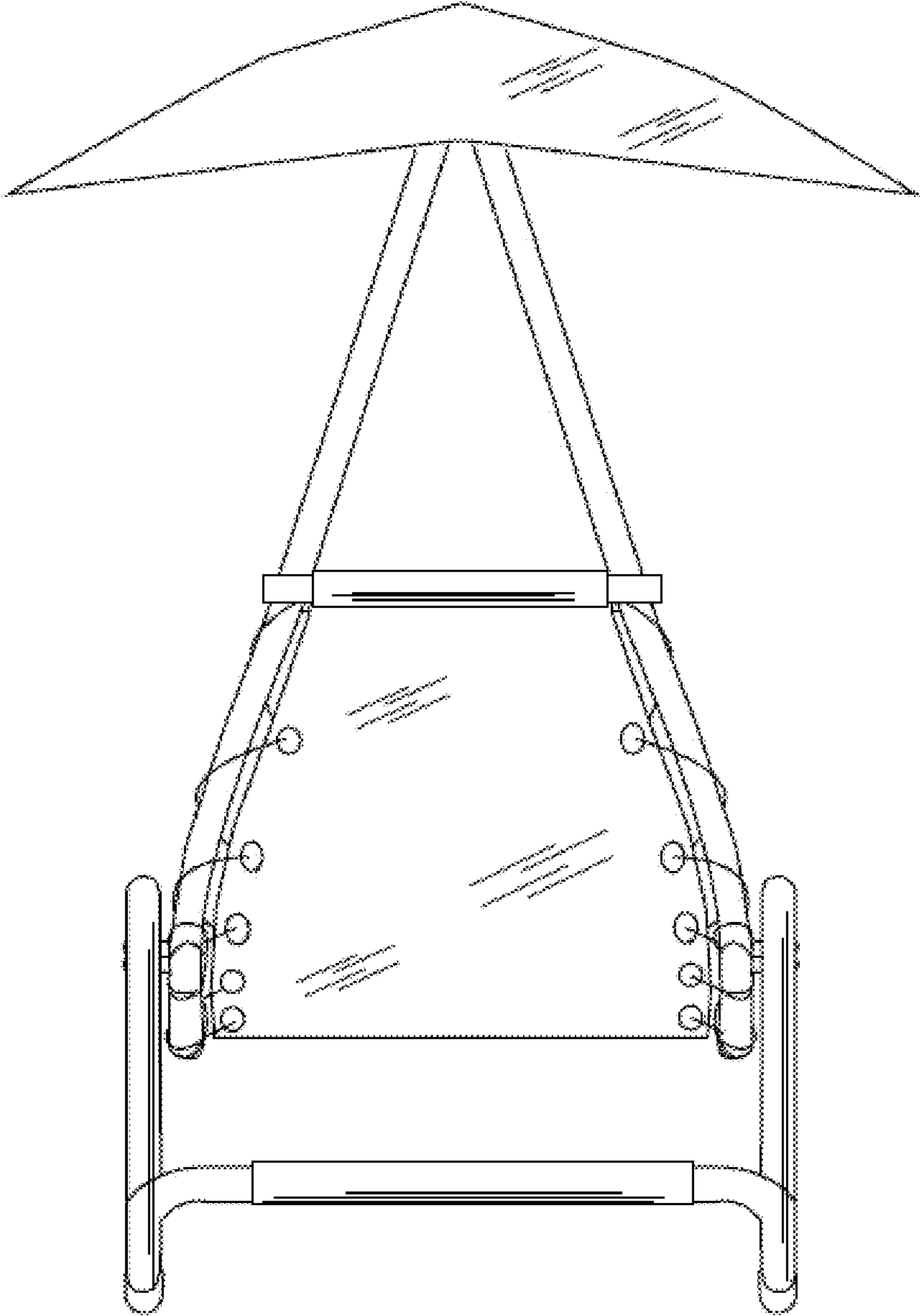


FIG. 2

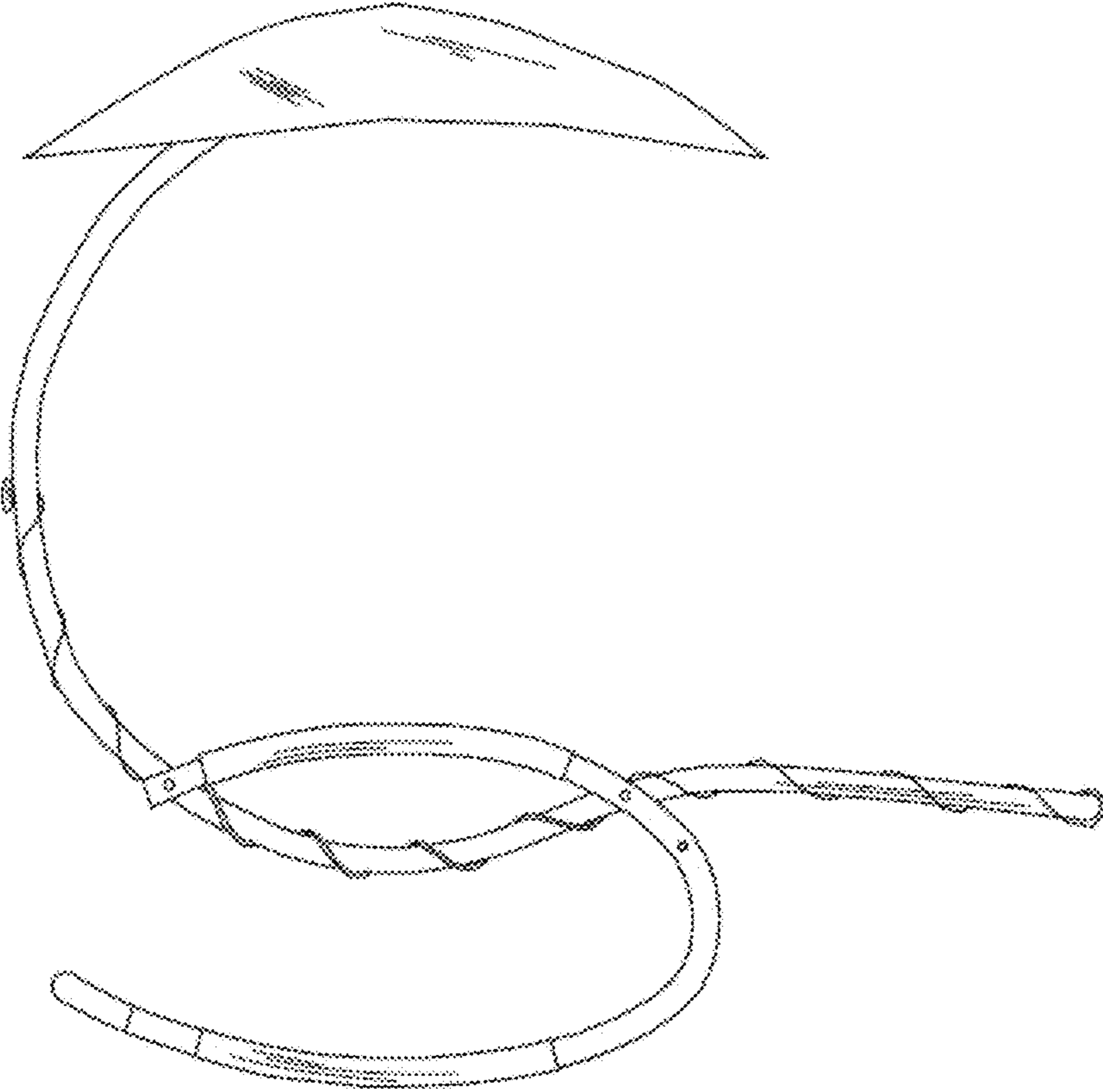


FIG. 3

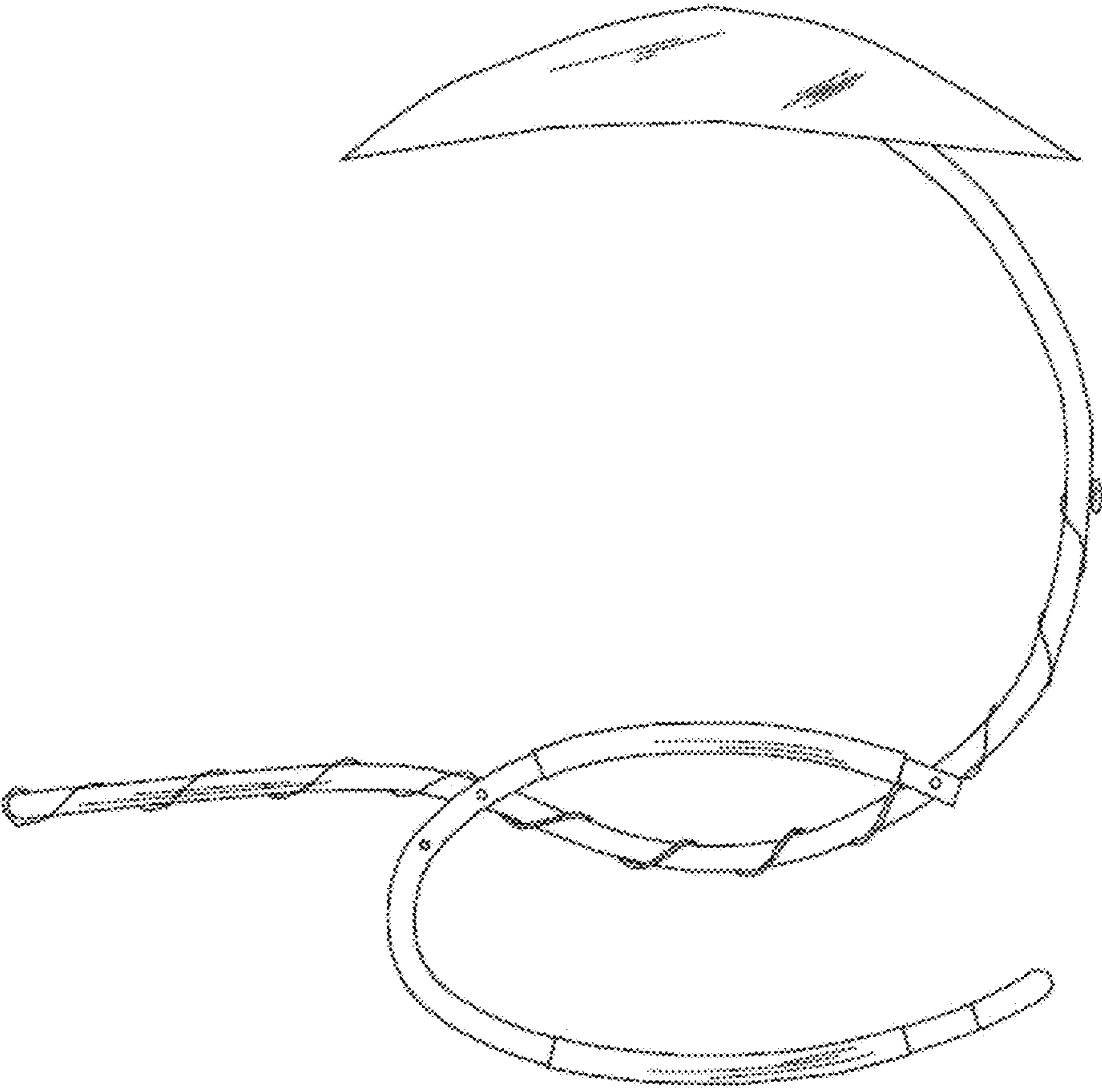


FIG. 4

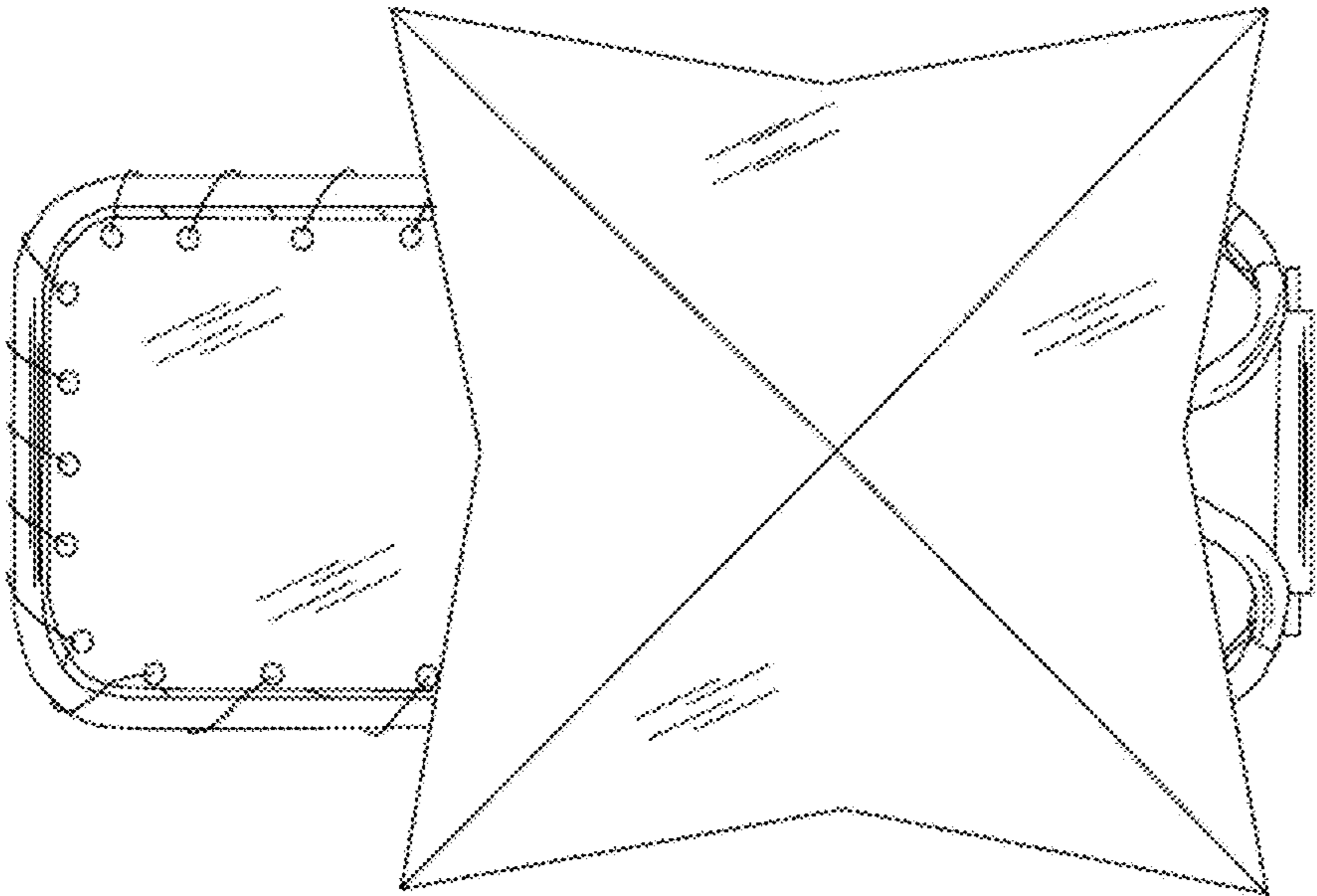


FIG. 5

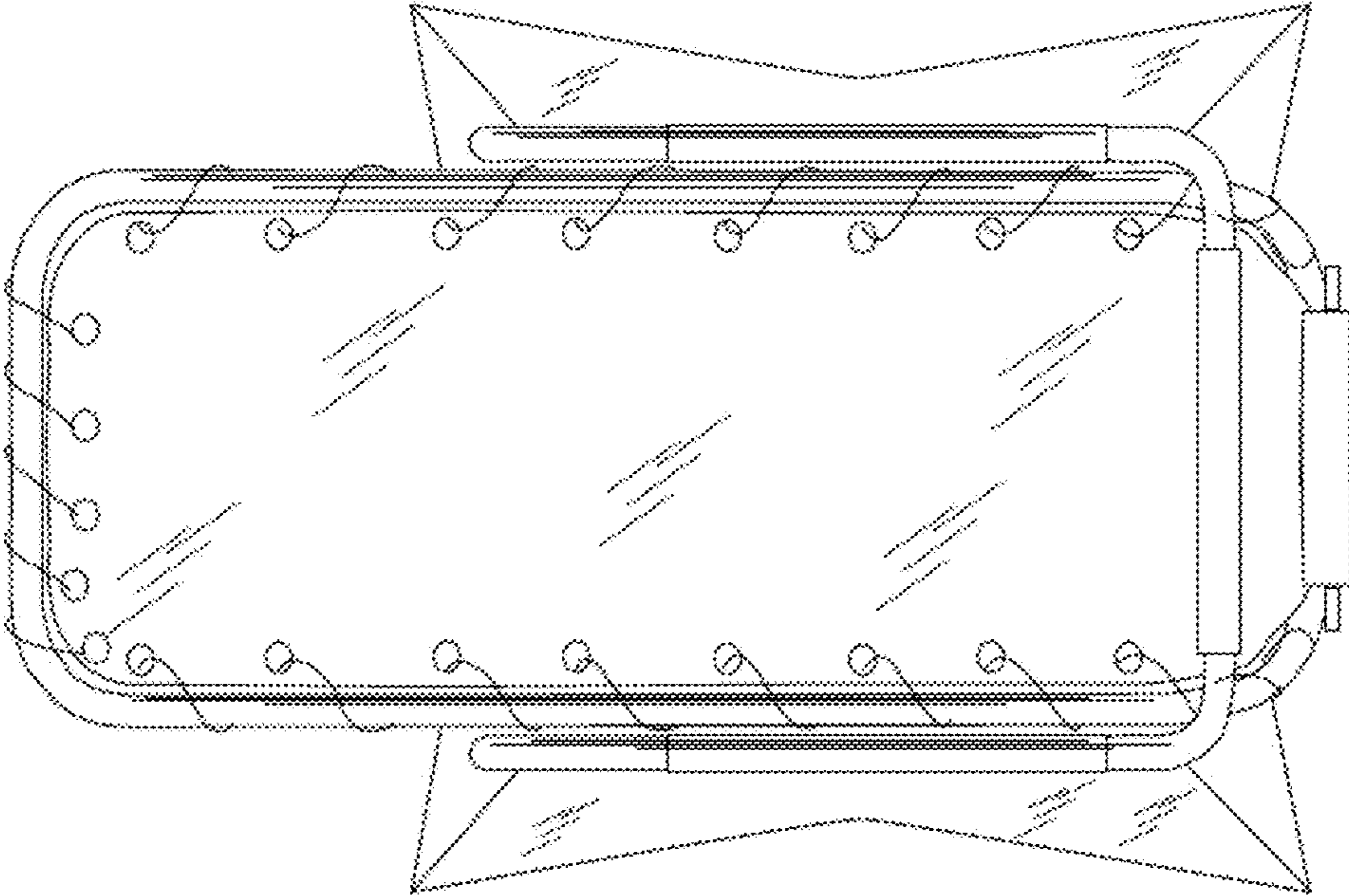


FIG. 6

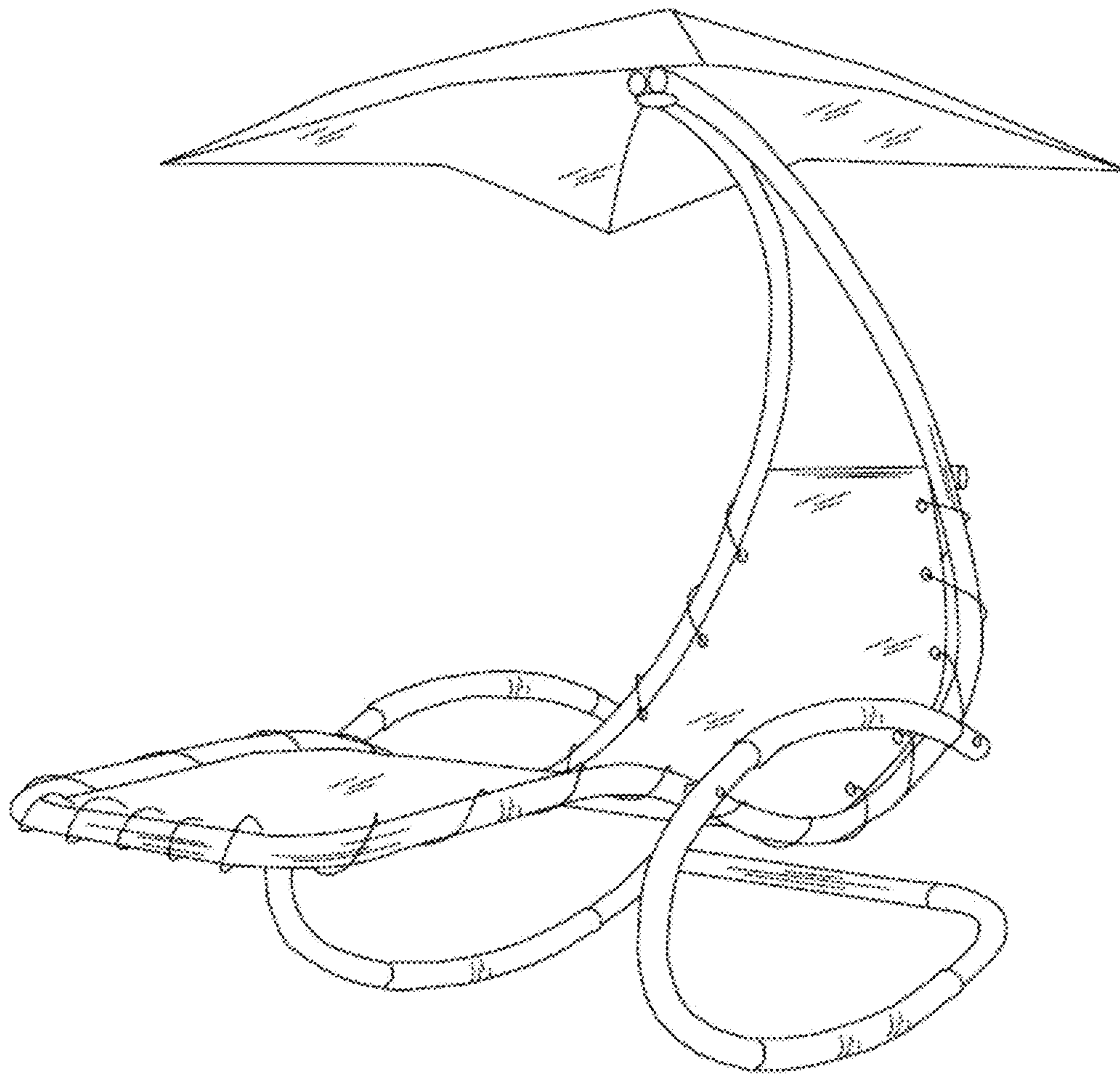


FIG. 7

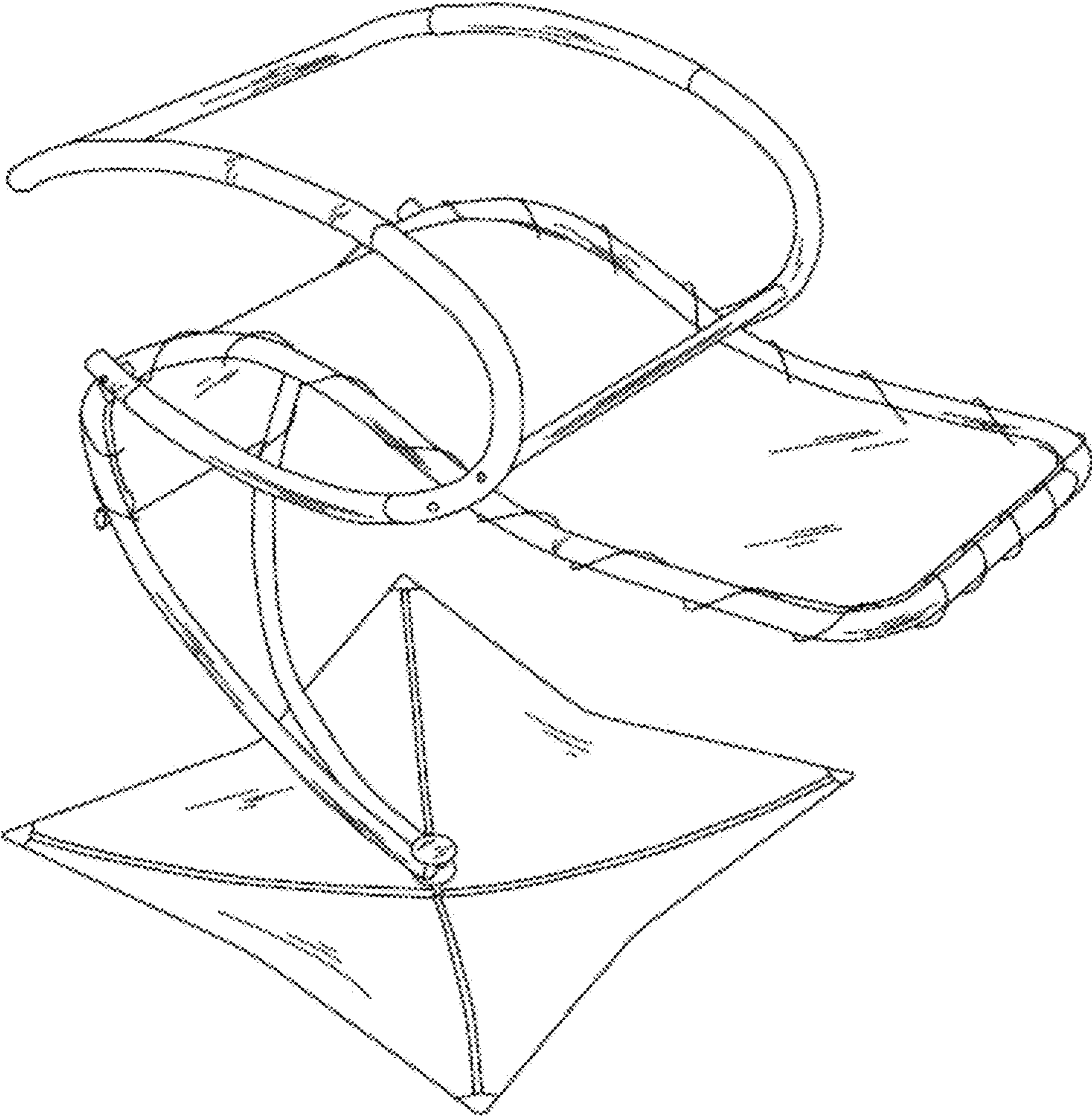


FIG. 8