



US00D781059S

(12) **United States Design Patent** (10) **Patent No.:** **US D781,059 S**
Christopherson et al. (45) **Date of Patent:** **** Mar. 14, 2017**

(54) **INFANT SUPPORT STRUCTURE**
(71) Applicant: **Mattel, Inc.**, El Segundo, CA (US)
(72) Inventors: **Karl Christopherson**, Orchard Park, NY (US); **Michael Armbruster**, Grand Island, NY (US)

5,533,228 A 7/1996 Jarecki et al.
D376,919 S * 12/1996 Sedlack D6/333
D433,878 S 11/2000 Joergensen
D472,767 S 4/2003 Gebhardt et al.
D500,675 S 1/2005 De Man et al.
D501,760 S 2/2005 Bukowski

(Continued)

(73) Assignee: **Mattel, Inc.**, El Segundo, CA (US)
(**) Term: **15 Years**

FOREIGN PATENT DOCUMENTS

JP 2012157492 A 8/2012
JP 5686432 B2 3/2015

(21) Appl. No.: **29/546,598**

Primary Examiner — Abraham Bahta
(74) *Attorney, Agent, or Firm* — Edell, Shapiro & Finnan, LLC

(22) Filed: **Nov. 24, 2015**

(51) **LOC (10) Cl.** **06-01**

(52) **U.S. Cl.**

USPC **D6/333**

(58) **Field of Classification Search**

USPC D6/333–335, 344, 339, 702, 716,
D6/716.1–716.7; 4/572.1, 571.1, 578.1,
4/586, 590; 297/183.1–183.4, 184.13,
297/184.17, 256.1, 467, 487, 488, 445.1;
D21/419, 412; 5/94, 98.2, 103–104, 93.1,
5/99.1, 101, 98.1, 12.1; D12/129–130;
280/30–31

CPC A47C 4/54; A47C 4/00; A47C 4/02; A47C
4/18; A47C 4/28; A47C 4/36; A47C 4/40;
A47C 7/021; A47C 7/022; A47C 31/11;
A47C 1/00; A47C 1/08; A47C 1/10;
B60N 2/28; B60N 2/00; B60N 2/26;
B60N 2/10; B60N 2/2812; B60N 2/265;
B60N 2/2851; B60N 2/2863

See application file for complete search history.

(56) **References Cited**

U.S. PATENT DOCUMENTS

D283,855 S * 5/1986 Kujawski D6/333
D327,175 S * 6/1992 Mariol D6/333
D339,030 S 9/1993 Bitel, Sr.

(57) **CLAIM**

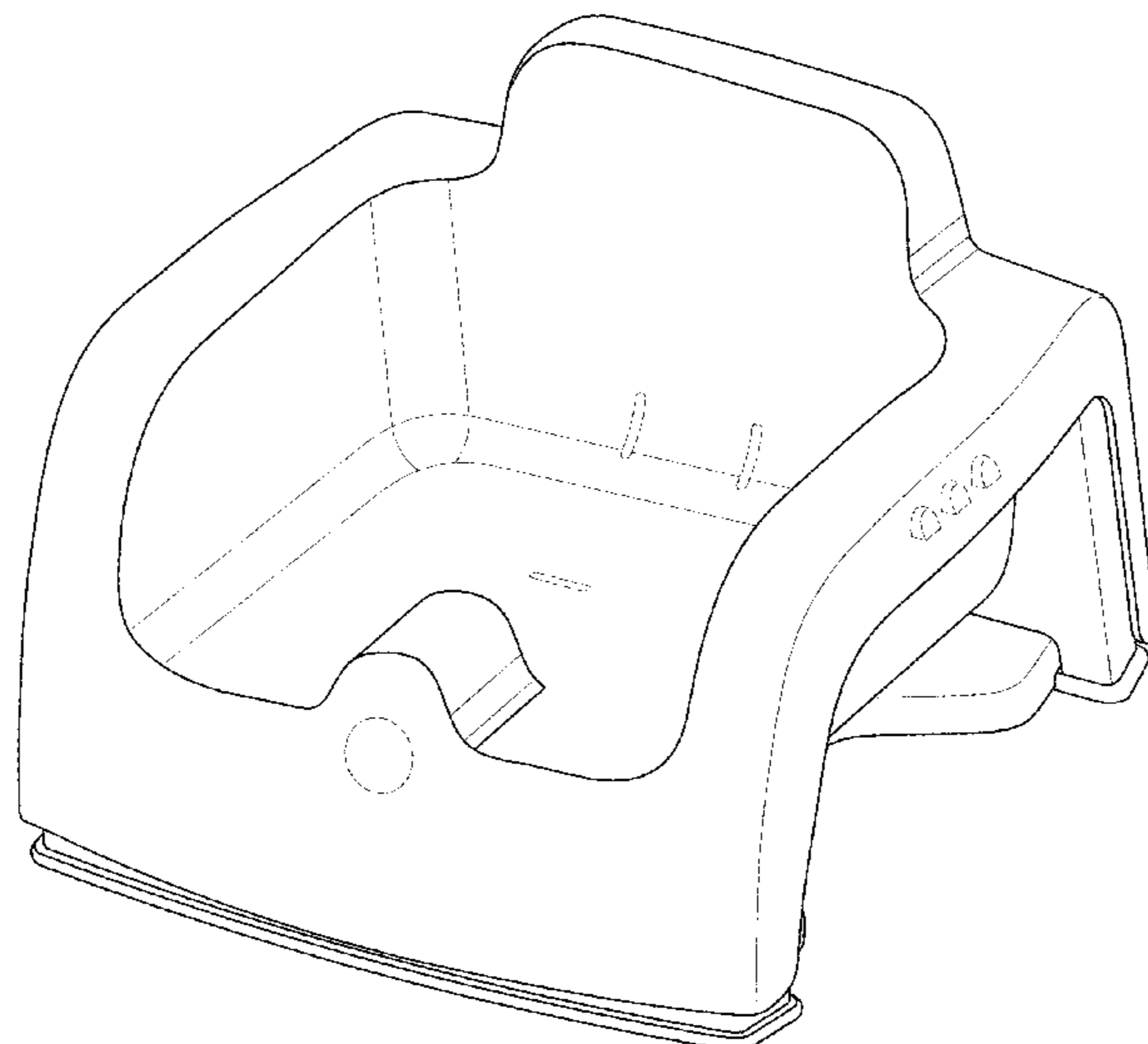
The ornamental design for an infant support structure, as shown and described.

DESCRIPTION

FIG. 1 is a front perspective view of an infant support structure according to the present invention; FIG. 2 is a front view of the infant support structure of FIG. 1; FIG. 3 is a rear view of the infant support structure of FIG. 1; FIG. 4 is a left side view of the infant support structure of FIG. 1; FIG. 5 is a right side view of the infant support structure of FIG. 1; FIG. 6 is a top view of the infant support structure of FIG. 1; and, FIG. 7 is a bottom view of the infant support structure of FIG. 1.

The broken lines shown in the figures are included for the purpose of illustrating the unclaimed portions of the article and form no part of the claimed design.

1 Claim, 7 Drawing Sheets



(56)

References Cited

U.S. PATENT DOCUMENTS

6,920,830	B1	7/2005	Asbach et al.	
D553,865	S *	10/2007	Buitendach	D6/333
7,328,941	B2	2/2008	Asbach et al.	
D578,352	S	10/2008	Hauser	
D592,865	S *	5/2009	Yeung	D6/333
D623,426	S *	9/2010	Ramer	D6/333
D629,654	S	12/2010	Moon	
7,871,125	B2	1/2011	Asbach et al.	
7,992,714	B1	8/2011	Devault et al.	
D652,221	S *	1/2012	Lee	D6/333
D658,394	S *	5/2012	Debevec	D6/333
8,201,879	B2	6/2012	Hartenstine et al.	
D668,508	S	10/2012	Zox	
D687,638	S *	8/2013	Beda	D6/333
D700,786	S *	3/2014	Yeung	D6/333
D701,429	S	3/2014	Krupa	
D738,120	S *	9/2015	Connelly	D6/333
D740,574	S *	10/2015	Weber	D6/333
2011/0169307	A1	7/2011	Asbach et al.	
2012/0205383	A1	8/2012	Anderson et al.	
2013/0119064	A1	5/2013	MacKay et al.	
2015/0014311	A1	1/2015	Frank et al.	

* cited by examiner

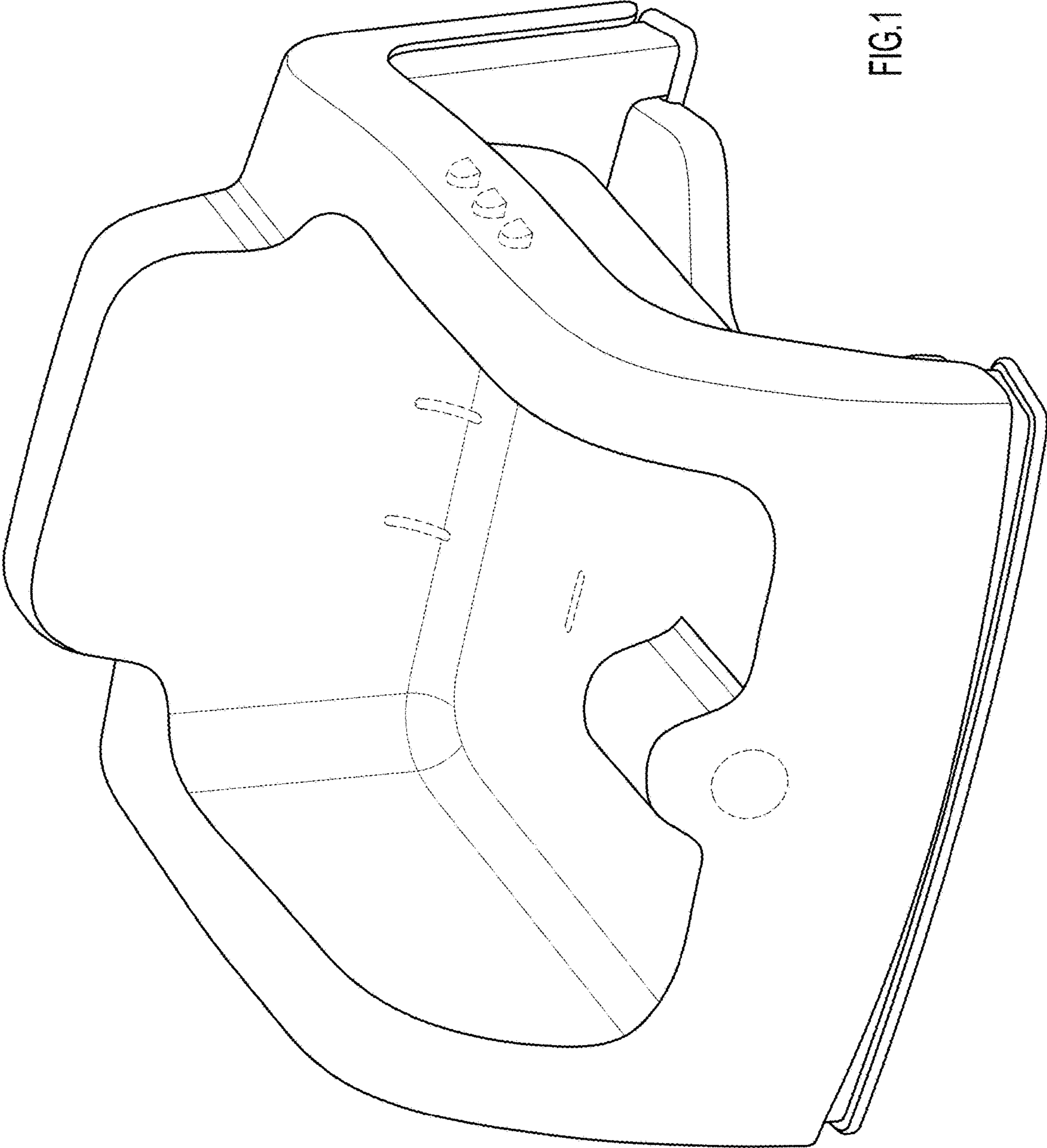


FIG. 1

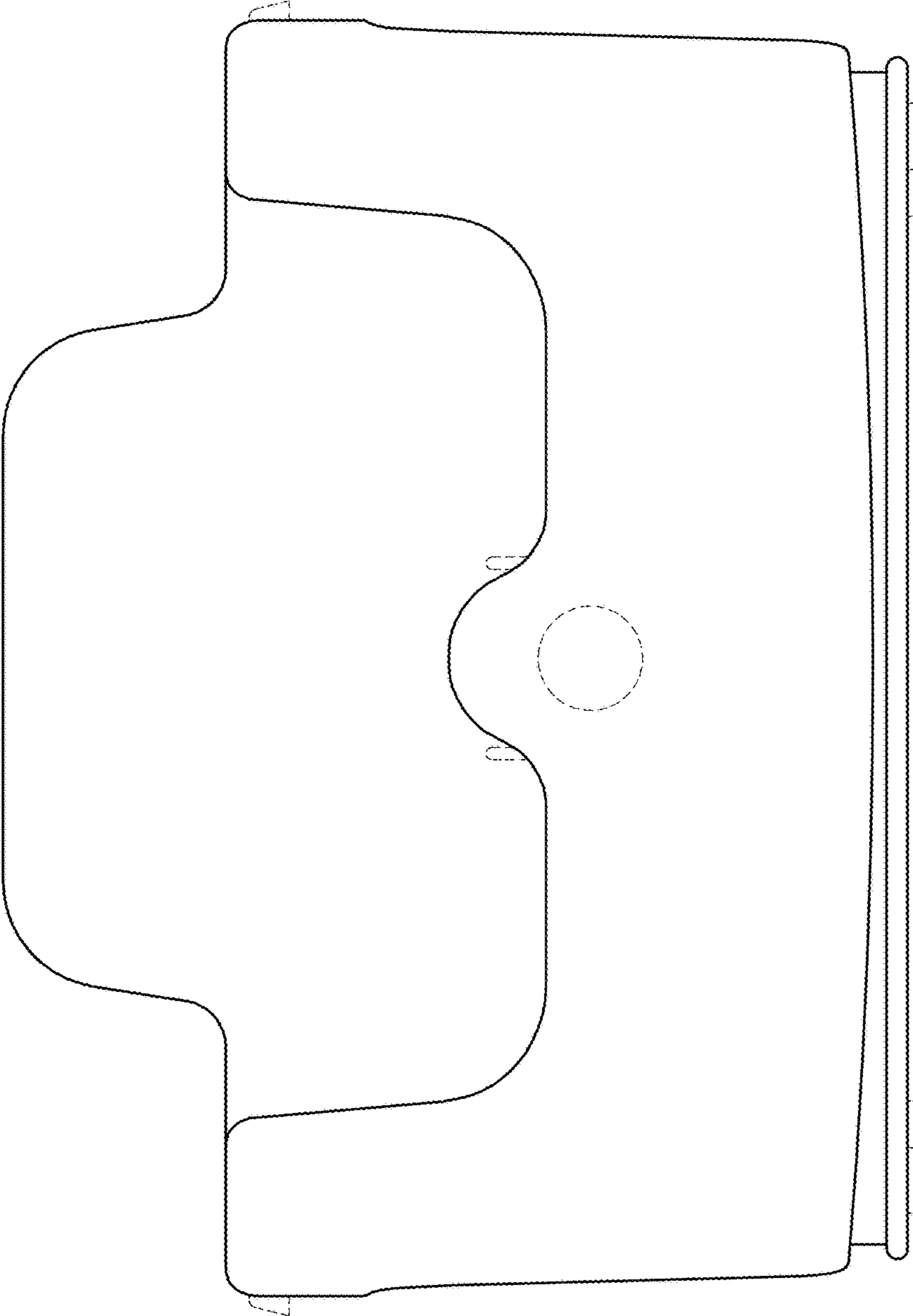


FIG.2

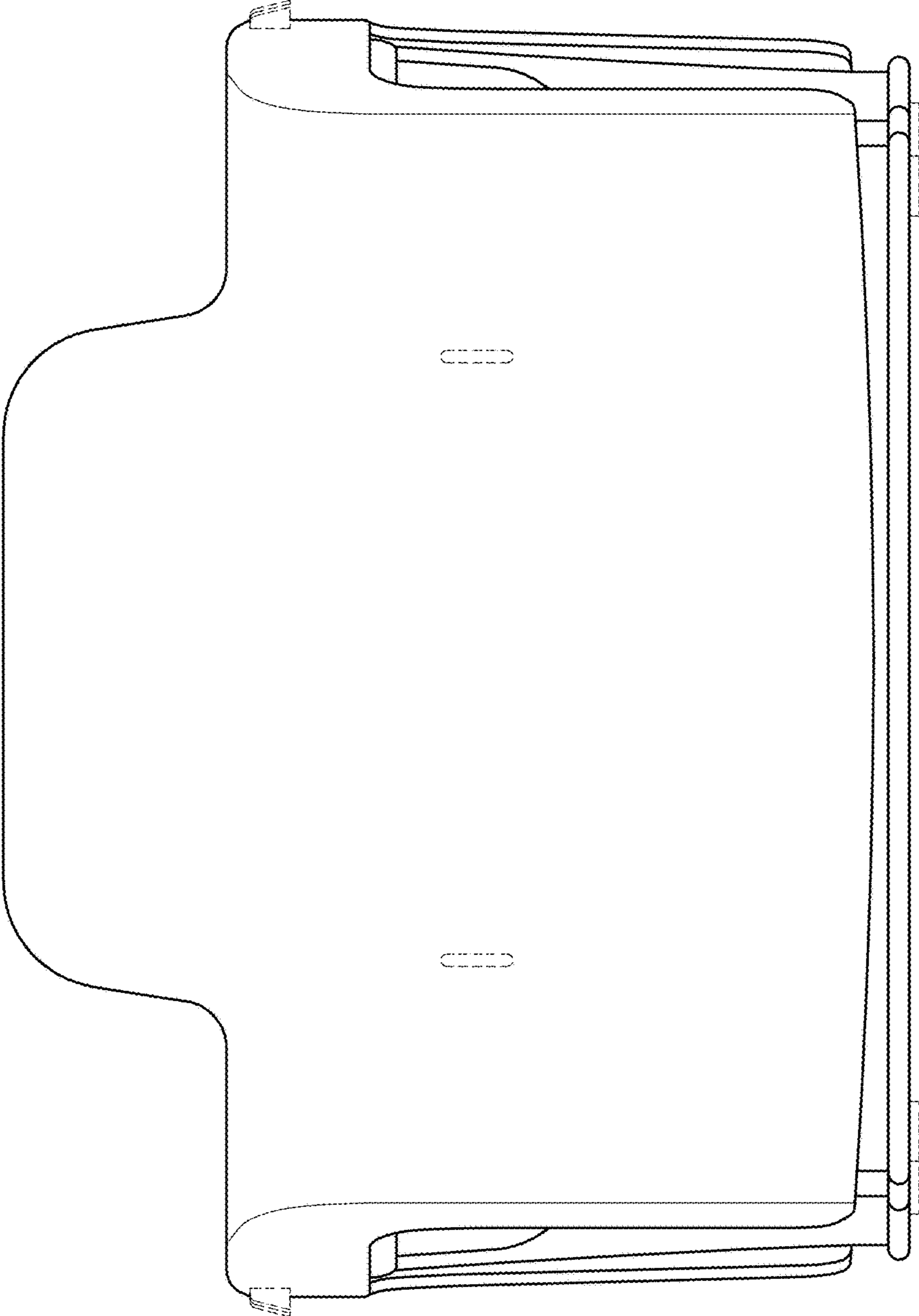


FIG.3

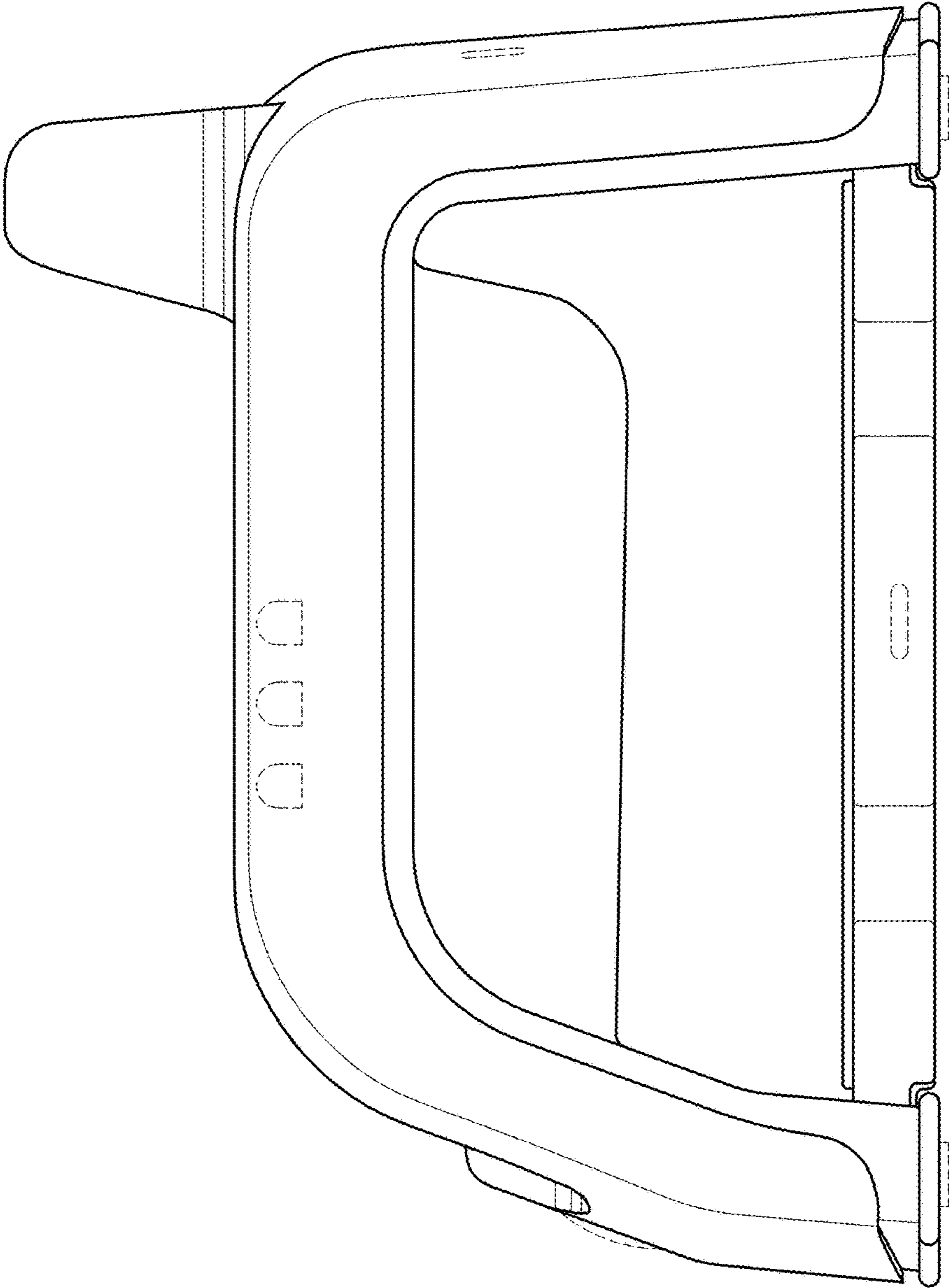


FIG.4

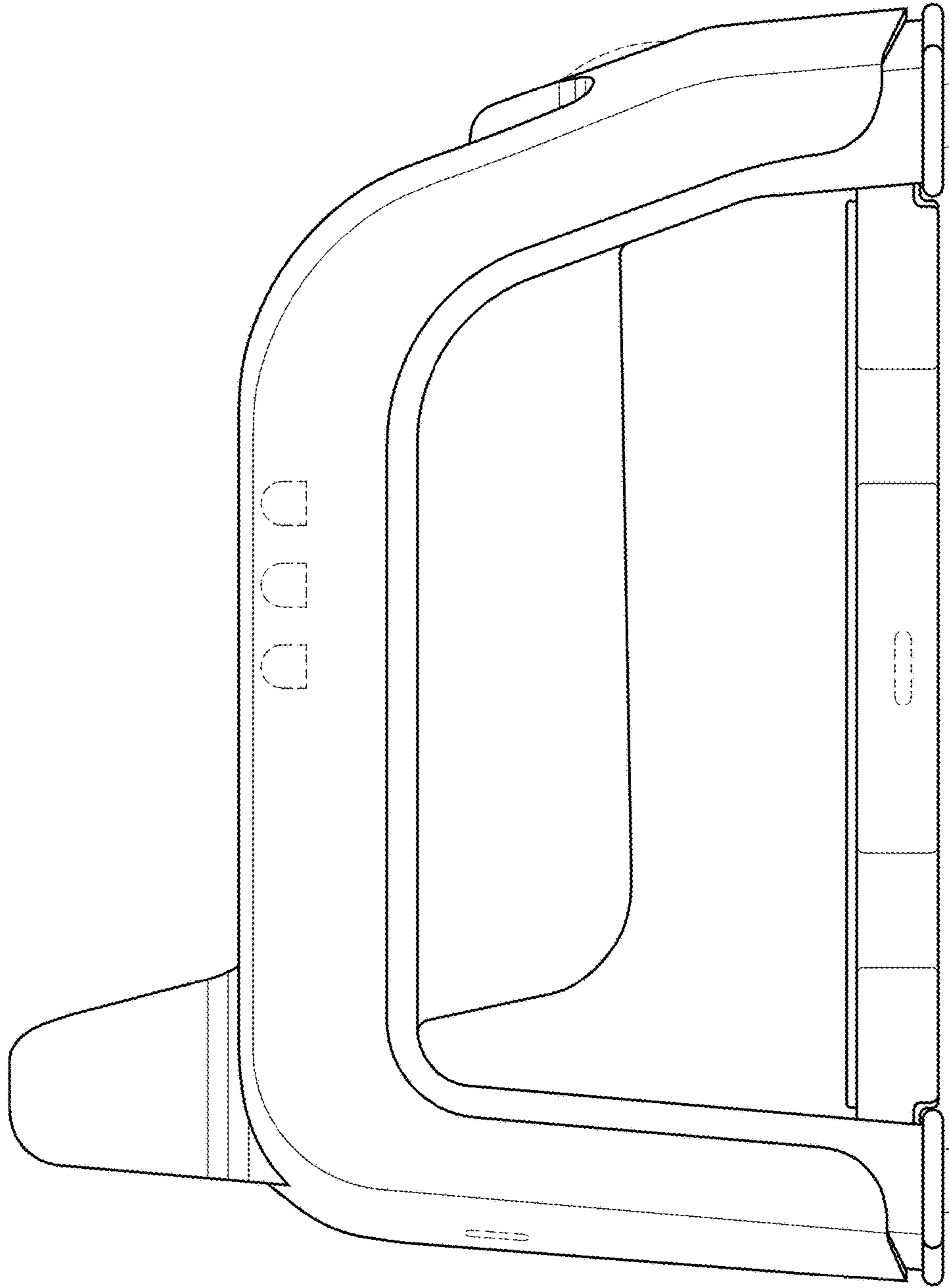


FIG.5

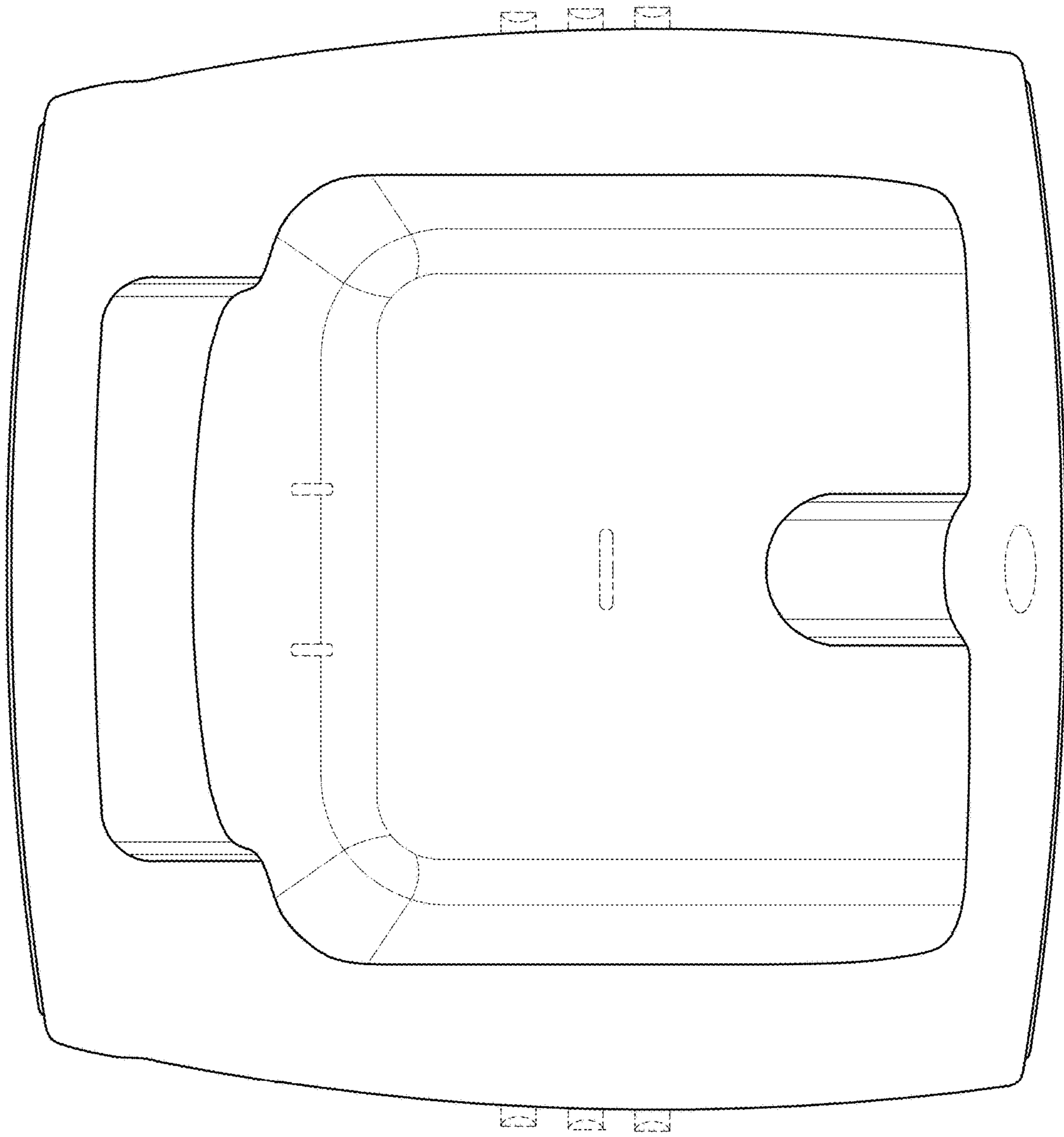


FIG. 6

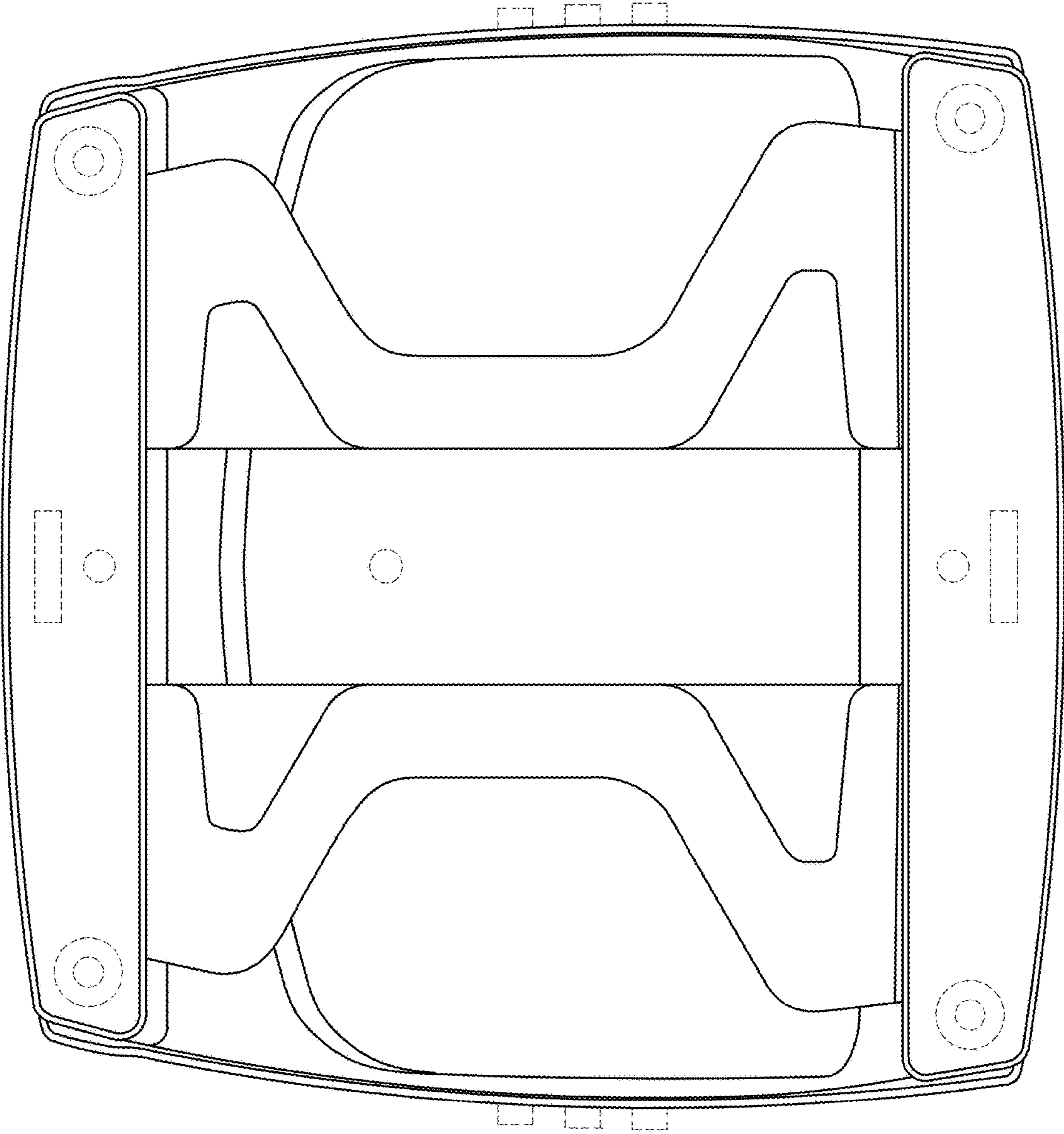


FIG.7