



US00D781052S

(12) **United States Design Patent**  
**Blahnik**

(10) **Patent No.:** **US D781,052 S**

(45) **Date of Patent:** **\*\* Mar. 14, 2017**

(54) **HANDBAG**

(71) Applicant: **Manolo Blahnik**, London (GB)

(72) Inventor: **Manolo Blahnik**, London (GB)

(\*\*) Term: **15 Years**

(21) Appl. No.: **29/553,534**

(22) Filed: **Feb. 2, 2016**

(51) **LOC (10) Cl.** ..... **03-01**

(52) **U.S. Cl.**  
USPC ..... **D3/232**

(58) **Field of Classification Search**  
USPC ..... D3/232-233, 240-243, 245-246  
CPC ..... A45C 1/024; A45C 3/06  
See application file for complete search history.

(56) **References Cited**

**U.S. PATENT DOCUMENTS**

D596,849 S \* 7/2009 Billauer ..... D3/232  
D597,303 S \* 8/2009 Billauer ..... D3/232

D633,713 S \* 3/2011 Bode ..... D3/232  
D745,269 S \* 12/2015 Yamashita ..... D3/232  
D745,270 S \* 12/2015 Yamashita ..... D3/232

\* cited by examiner

*Primary Examiner* — Holly Baynham

(74) *Attorney, Agent, or Firm* — McGuireWoods LLP

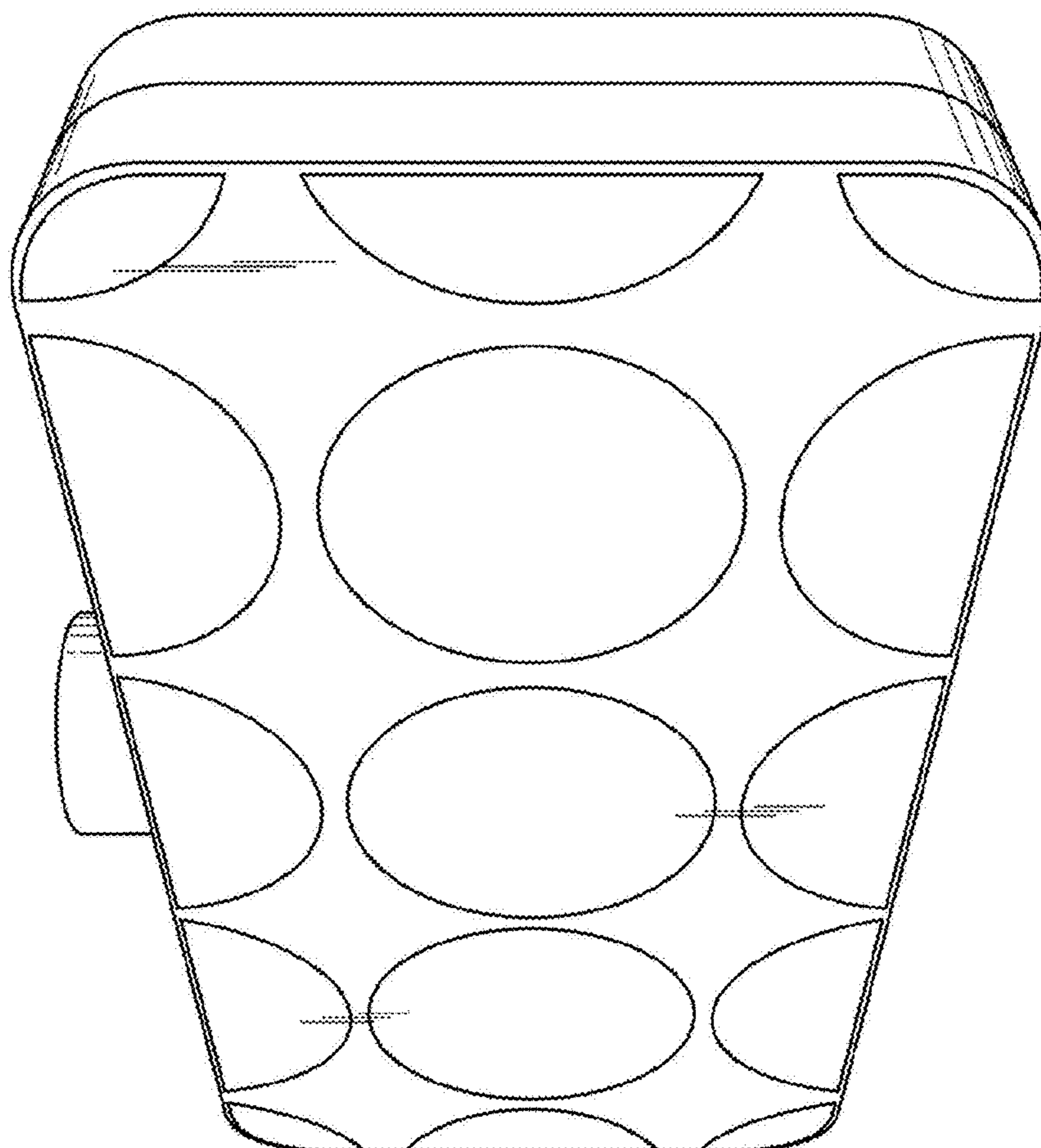
(57) **CLAIM**

I claim the ornamental design for a handbag, as shown and described.

**DESCRIPTION**

FIG. 1 is a front-right perspective view of the handbag; FIG. 2 is a front view of the handbag shown in FIG. 1; FIG. 3 is a rear view of the handbag shown in FIG. 1; FIG. 4 is a top view of the handbag shown in FIG. 1; FIG. 5 is a bottom view of the handbag shown in FIG. 1; FIG. 6 is an enlarged side view thereof; and, FIG. 7 is a left side view of the handbag shown in FIG. 1. The undisclosed interior surfaces form no part of the claimed design.

**1 Claim, 7 Drawing Sheets**



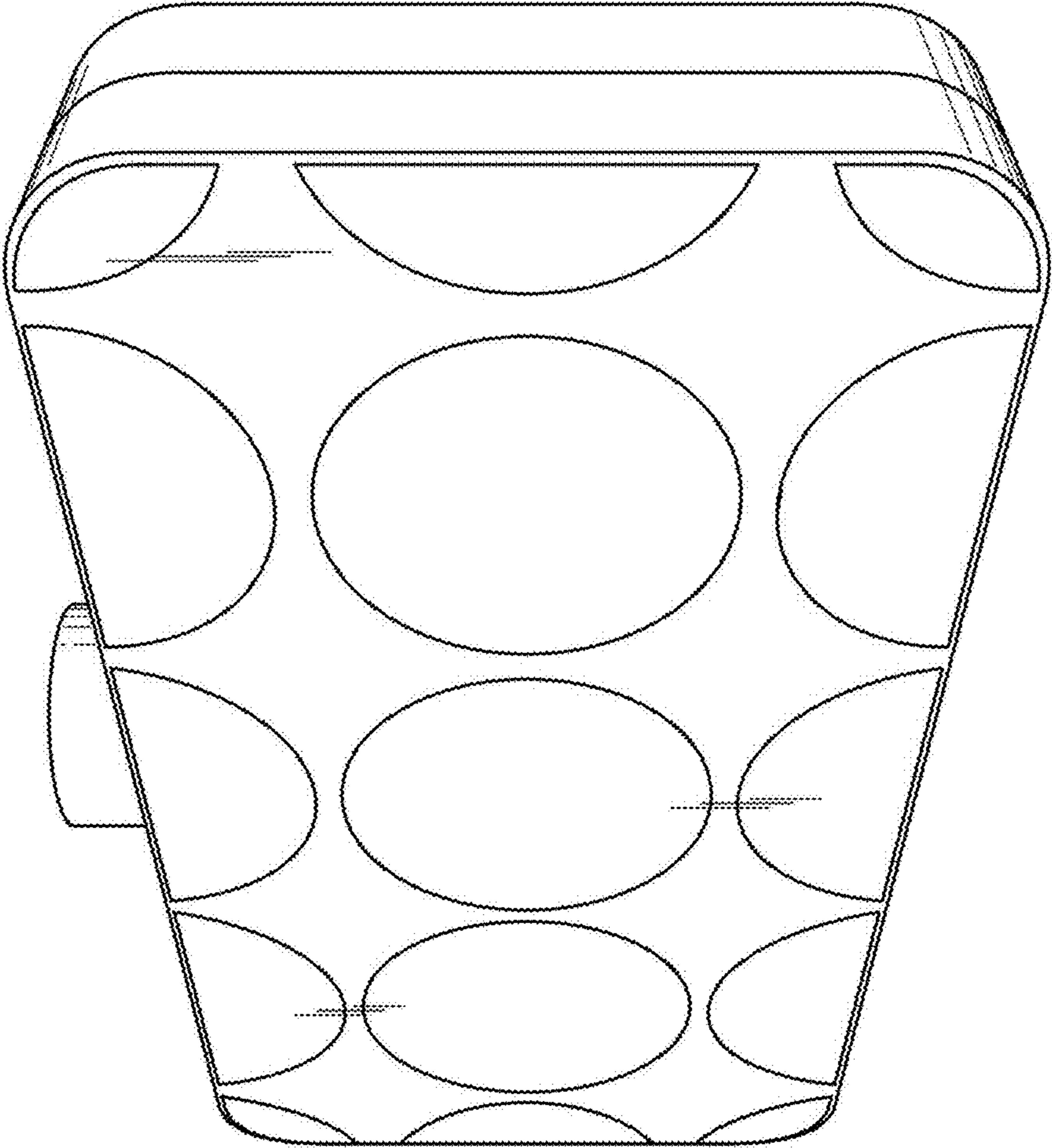


FIG. 1

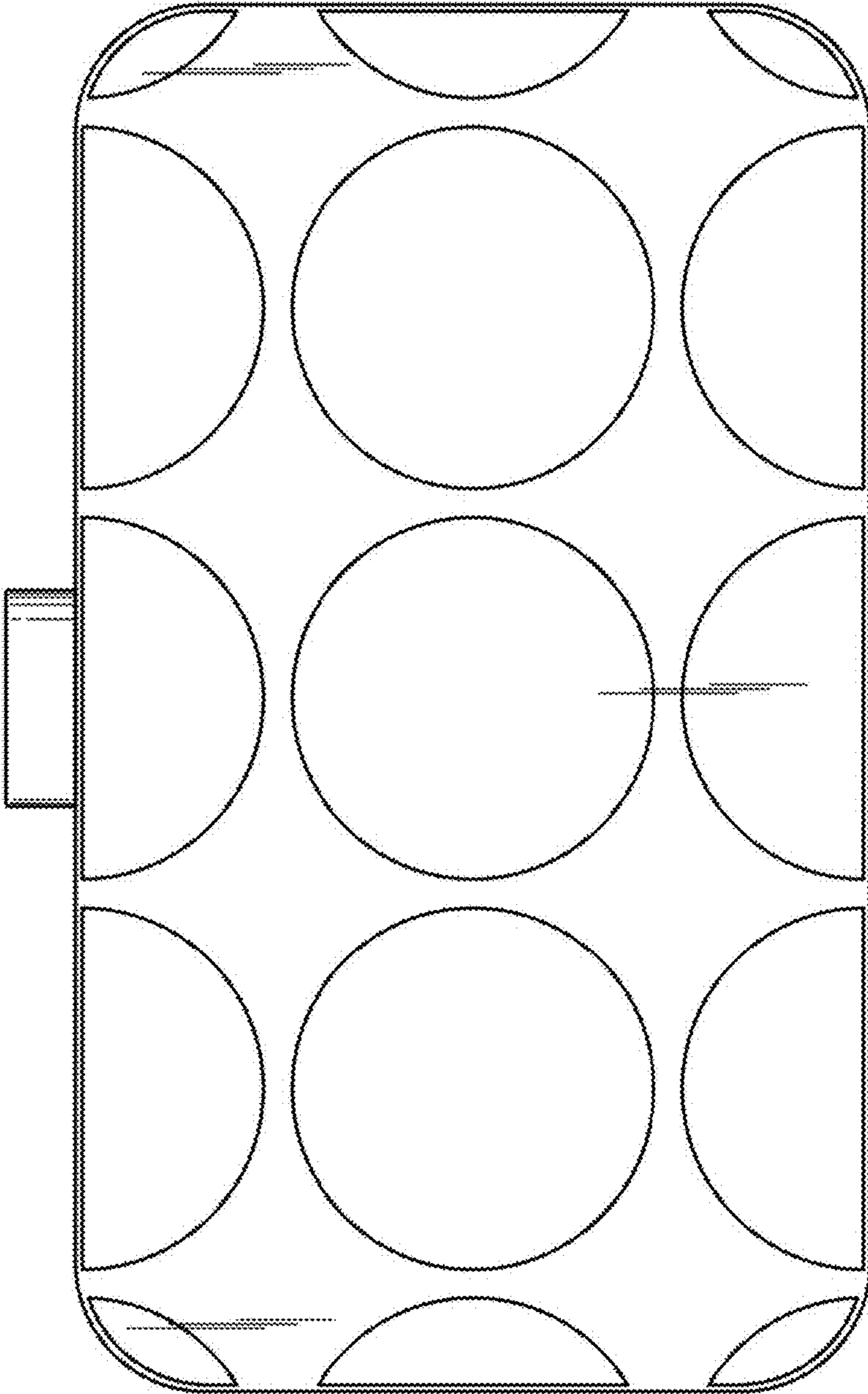


FIG. 2

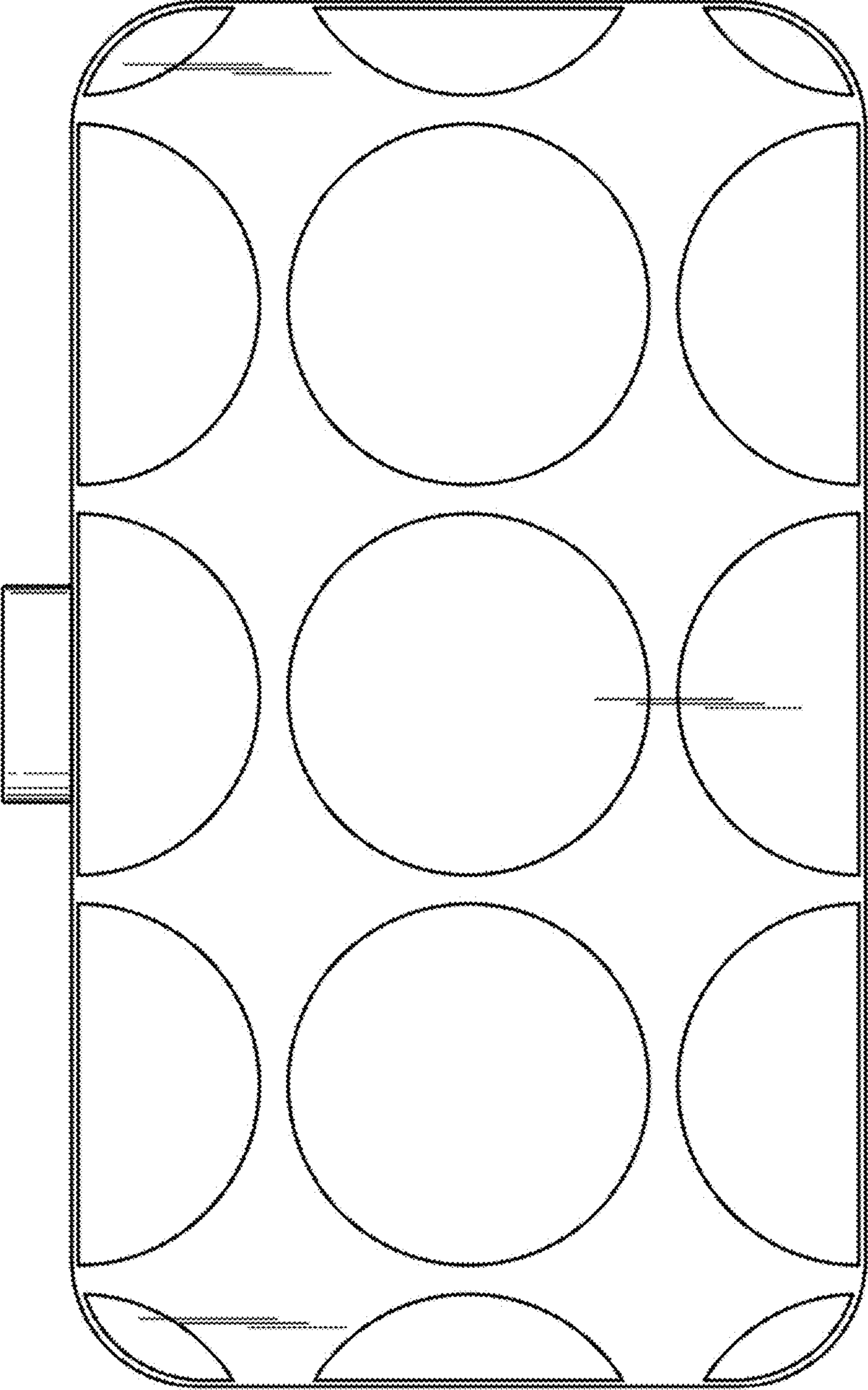


FIG. 3

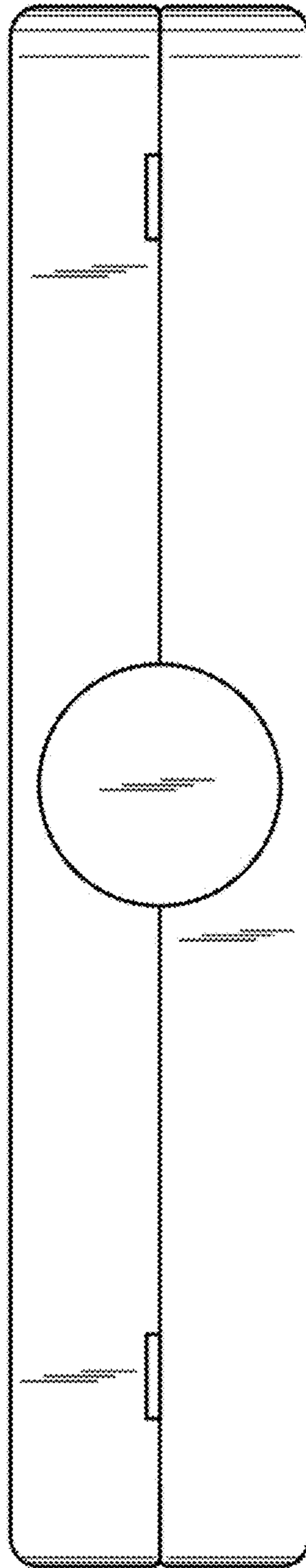


FIG. 4

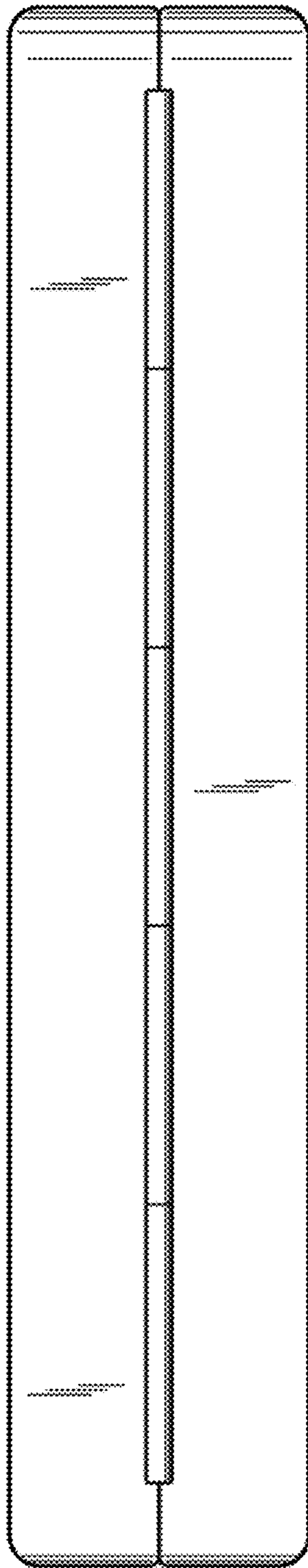


FIG. 5

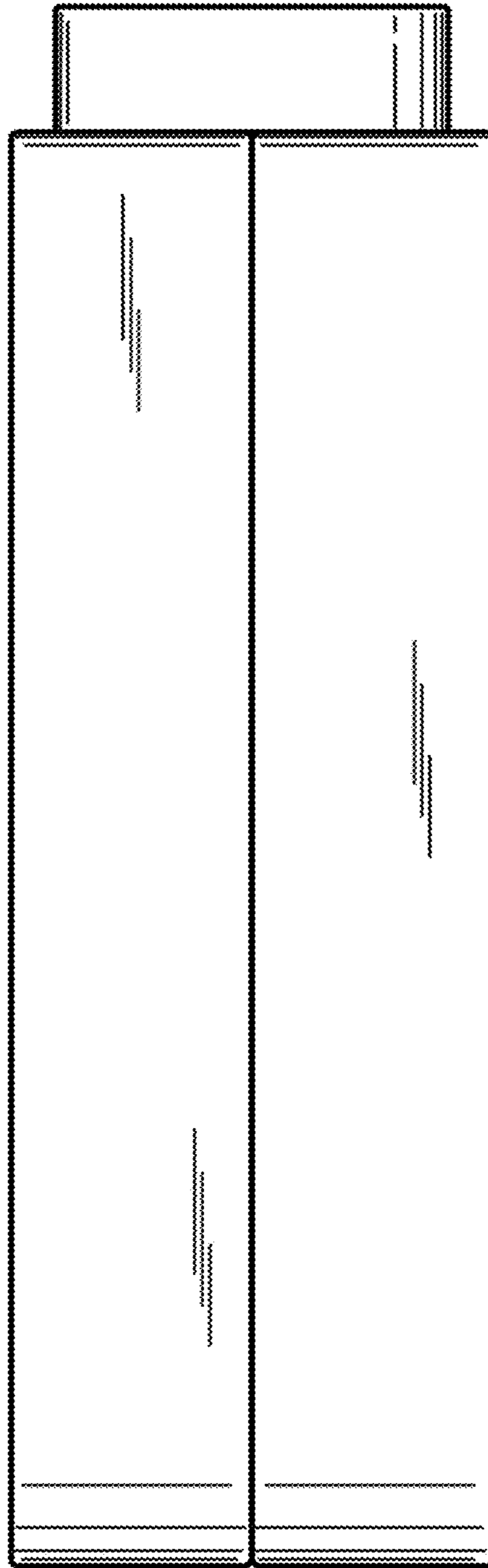


FIG. 6

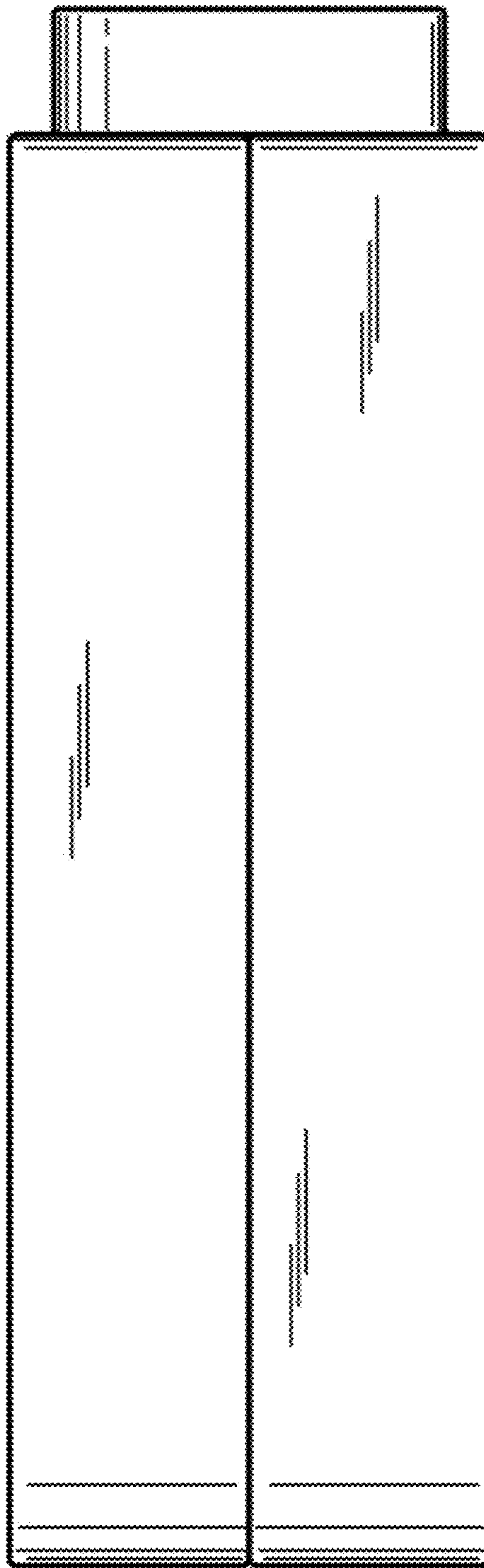


FIG. 7