



US00D781051S

(12) **United States Design Patent**
Leopardi et al.

(10) **Patent No.:** **US D781,051 S**
(45) **Date of Patent:** **** Mar. 14, 2017**

(54) **CARRY CASE**

D170,118 S * 8/1953 Hardy D3/242
D414,082 S * 9/1999 Keene D3/246
D420,508 S * 2/2000 Kohlhas D3/232

(71) Applicant: **NINJAWAV, LLC**, Fort Lauderdale, FL (US)

* cited by examiner

(72) Inventors: **Emmett Jay Leopardi**, Wilton Manors, FL (US); **Walter Riley Thurmond, III**, Maple Valley, WA (US); **Carl R. Harte**, Tamarac, FL (US)

Primary Examiner — Holly Baynham
(74) *Attorney, Agent, or Firm* — The Concept Law Group, P.A.; Scott D. Smiley

(73) Assignee: **NINJAWAV, LLC**, Fort Lauderdale, FL (US)

(57) **CLAIM**

The ornamental design for a carry case, as shown and described.

(**) Term: **15 Years**

DESCRIPTION

(21) Appl. No.: **29/531,810**

FIG. 1 is a perspective downward-looking front view of a carry case in accordance with the present invention; FIG. 2 is a perspective downward-looking rear view of the carry case of FIG. 1 in accordance with the present invention; FIG. 3 is an elevational front view of the carry case of FIG. 1 in accordance with the present invention; FIG. 4 is an elevational back view of the carry case of FIG. 1 in accordance with the present invention; FIG. 5 is an elevational top view of the carry case of FIG. 1 in accordance with the present invention; FIG. 6 is an elevational bottom view of the carry case of FIG. 1 in accordance with the present invention; FIG. 7 is an elevational right-side view of the carry case of FIG. 1 in accordance with the present invention; and, FIG. 8 is an elevational left-side edge view of the carry case of FIG. 1 in accordance with the present invention.

(22) Filed: **Jun. 30, 2015**

(51) **LOC (10) Cl.** **03-01**

(52) **U.S. Cl.**
USPC **D3/232**

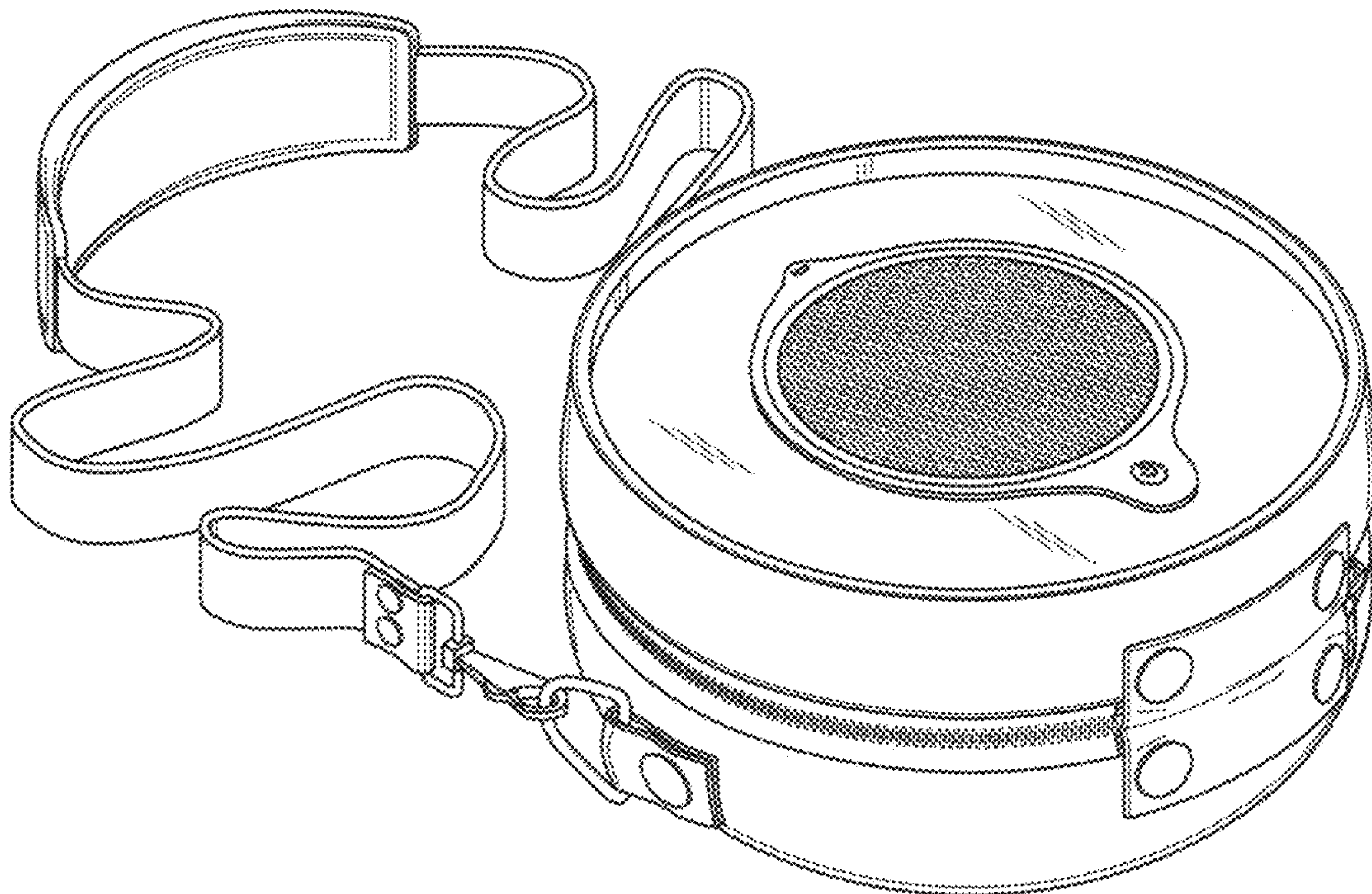
(58) **Field of Classification Search**
USPC D3/232–233, 240–243, 245–246
CPC A45C 1/024; A45C 3/08
See application file for complete search history.

(56) **References Cited**

U.S. PATENT DOCUMENTS

D51,351 S * 10/1917 Summers D3/240
D101,792 S * 11/1936 Resnick 206/810
D122,628 S * 9/1940 Lewis D3/240

1 Claim, 5 Drawing Sheets



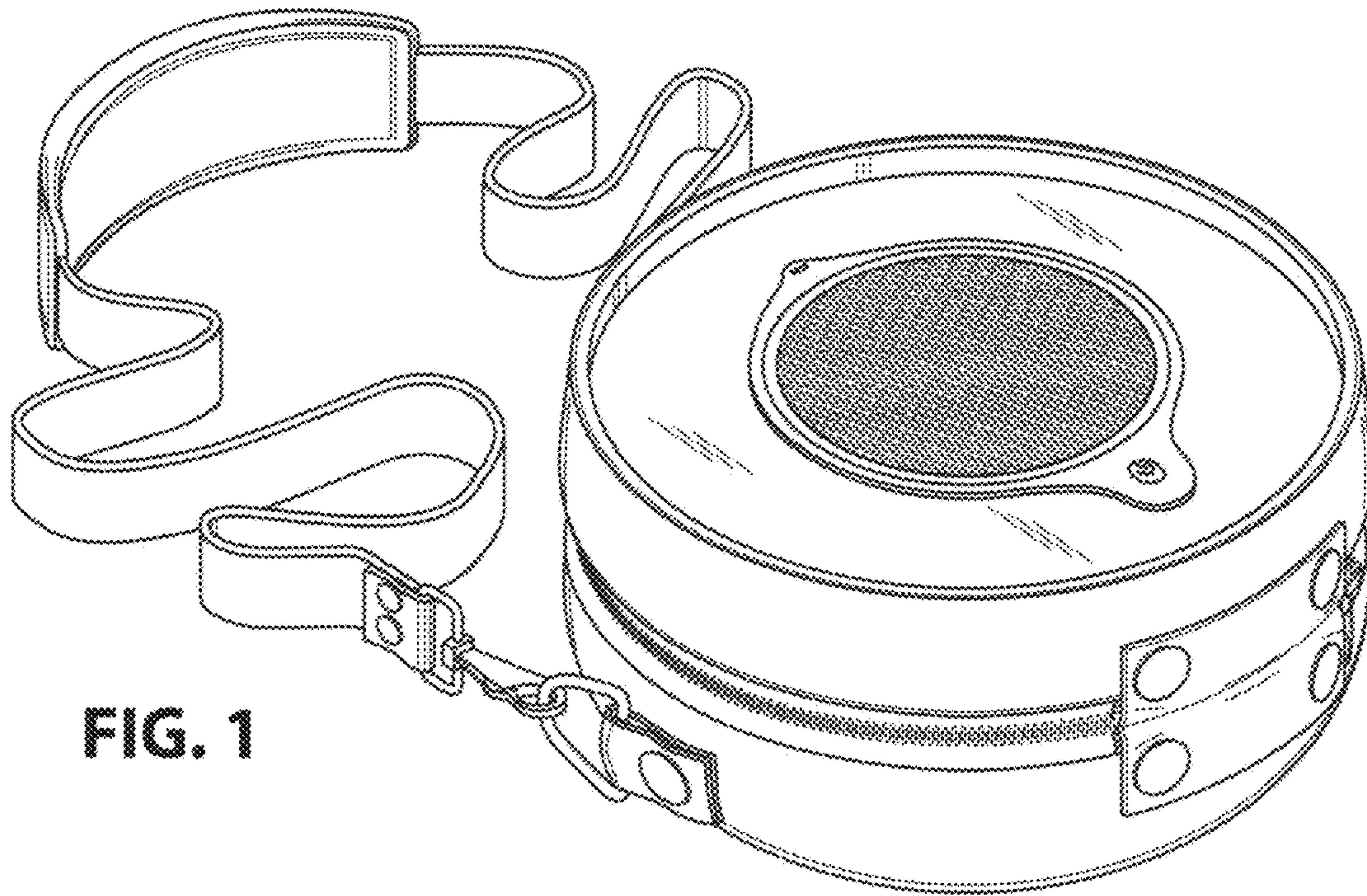


FIG. 1

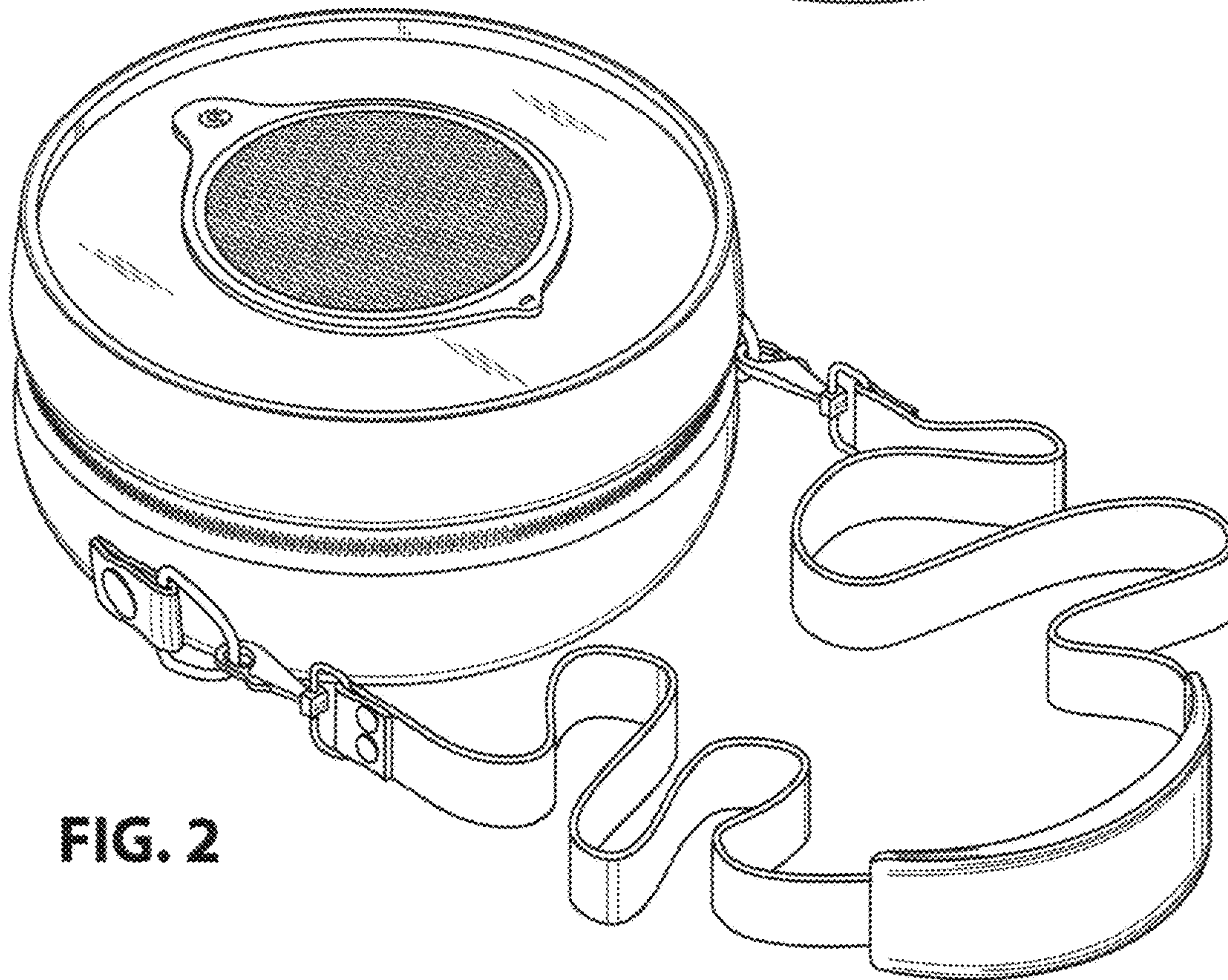


FIG. 2

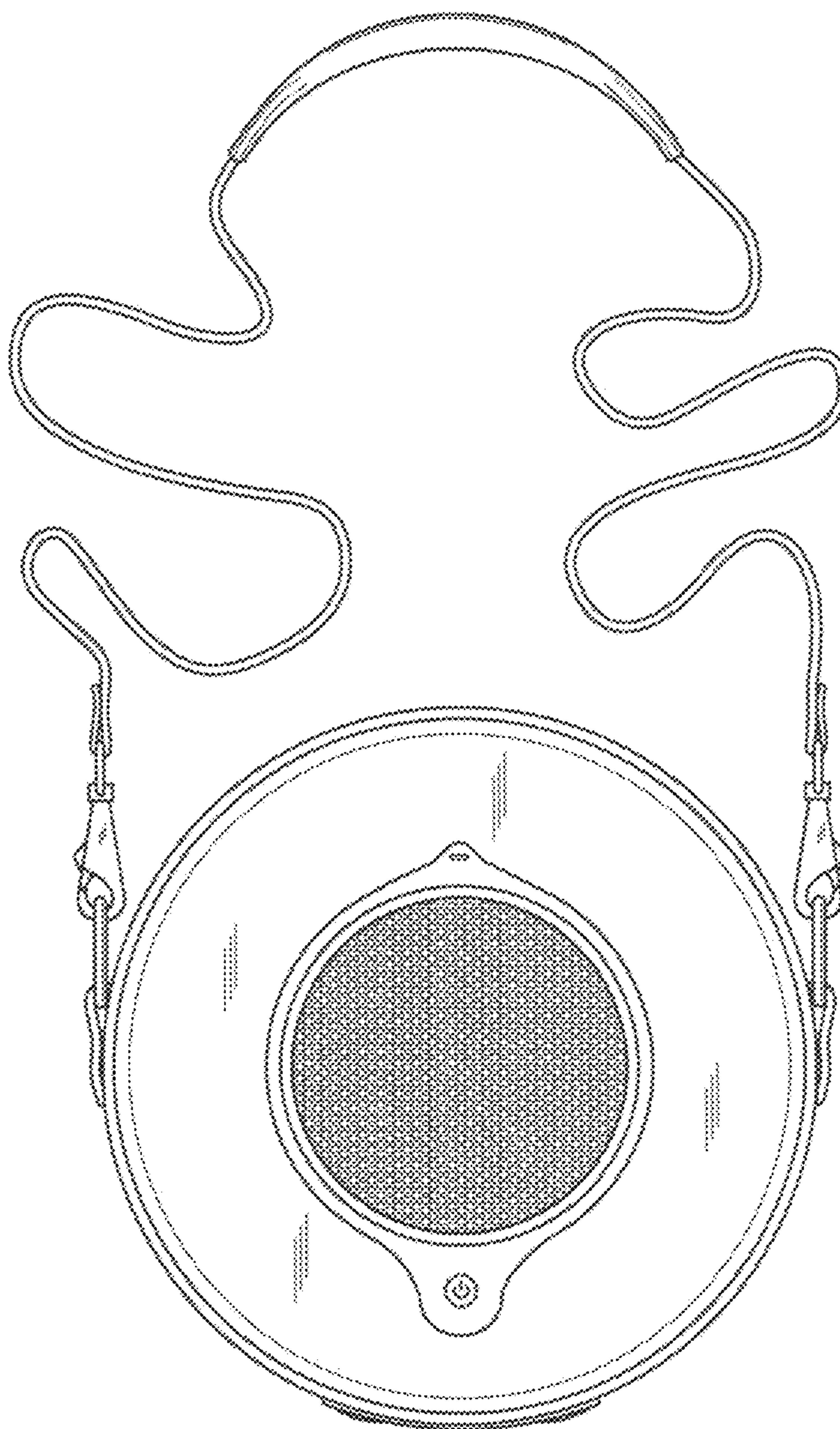


FIG. 3

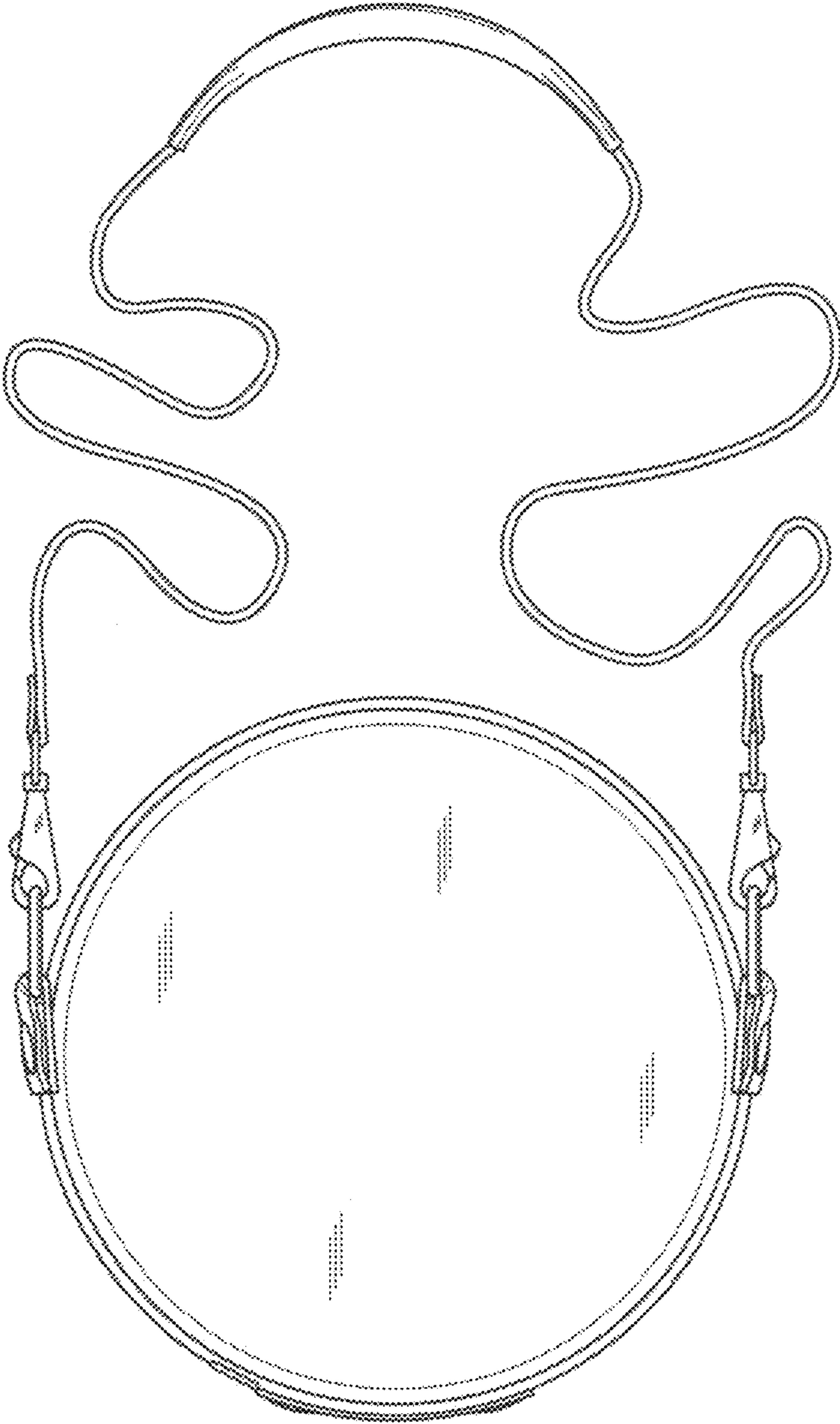


FIG. 4

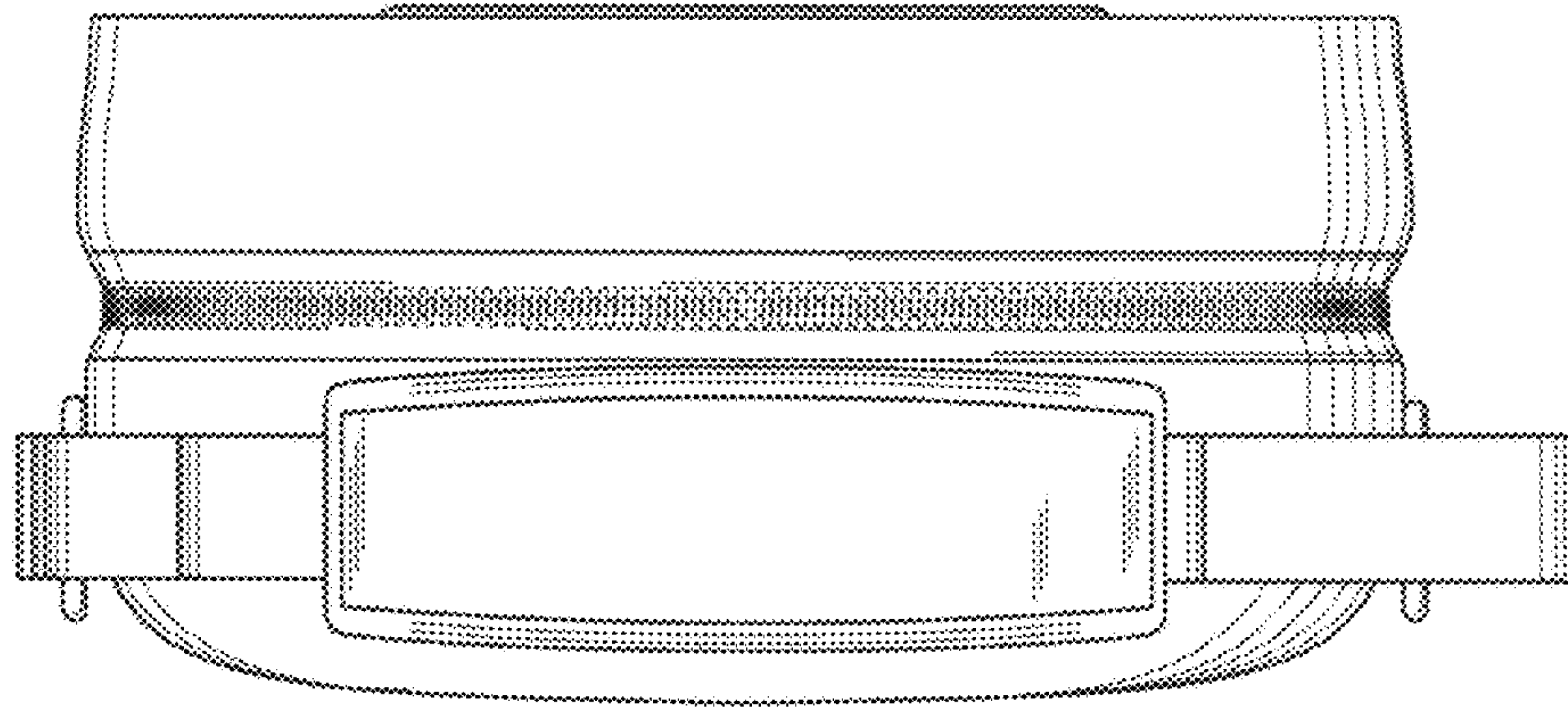


FIG. 5

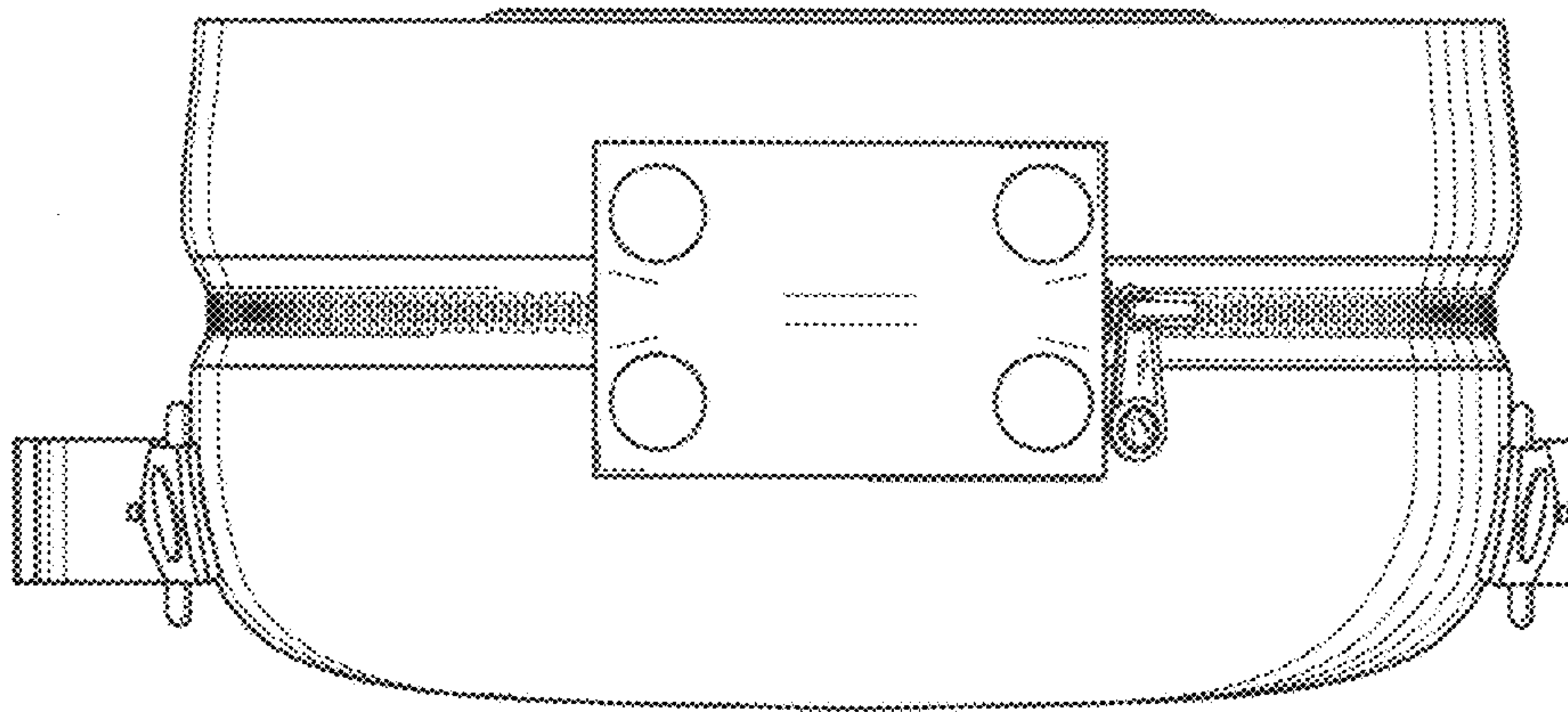


FIG. 6

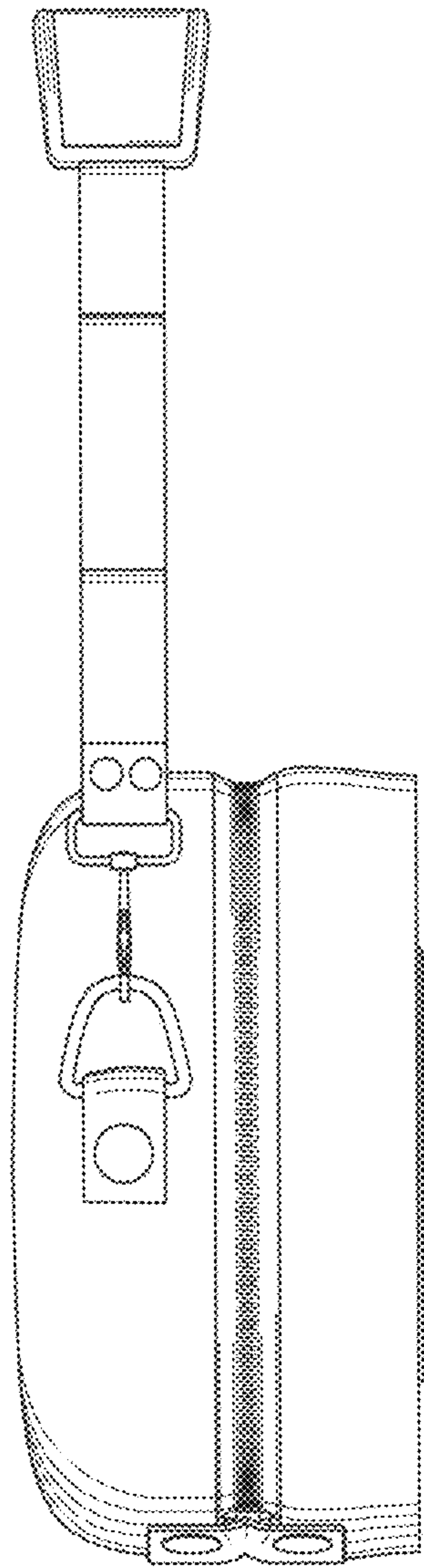


FIG. 7

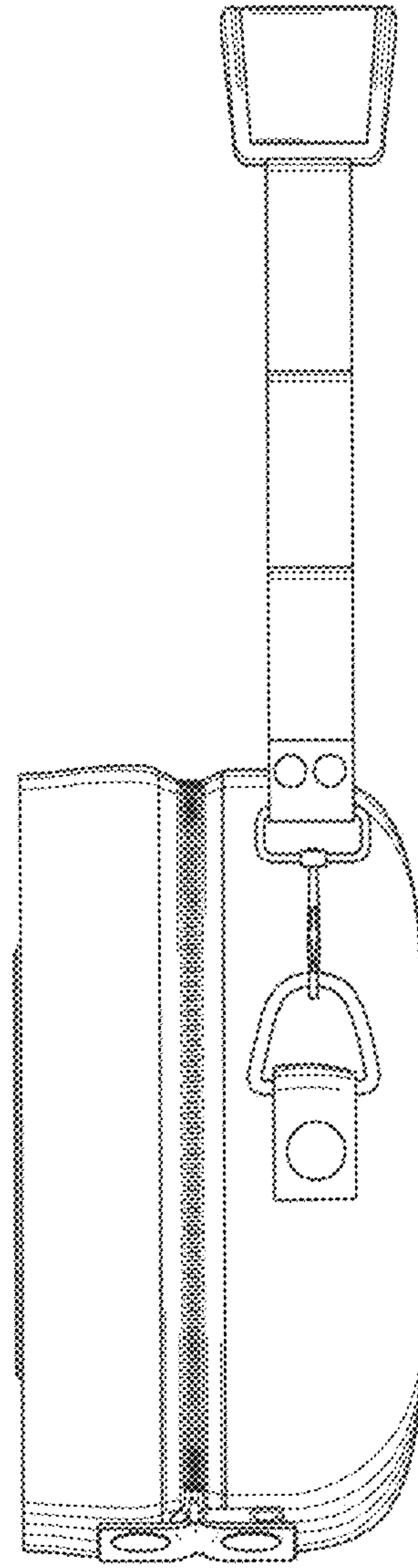


FIG. 8