



US00D781050S

(12) **United States Design Patent**  
**Abreu**

(10) **Patent No.:** **US D781,050 S**  
(45) **Date of Patent:** **\*\* Mar. 14, 2017**

(54) **COMPLEMENTARY SUPPORT FOR  
CRADLE HOLDING AN ELECTRONIC  
DEVICE**

(71) Applicant: **GEELUX HOLDINGS, LTD.**, Tortola  
(VG)

(72) Inventor: **Marcio Marc Abreu**, Bridgeport, CT  
(US)

(73) Assignee: **GEELUX HOLDINGS, LTD.**, Tortola  
(VG)

(\*\*) Term: **15 Years**

(21) Appl. No.: **29/551,985**

(22) Filed: **Jan. 19, 2016**

(51) **LOC (10) Cl.** ..... **03-01**

(52) **U.S. Cl.**  
USPC ..... **D3/218**

(58) **Field of Classification Search**  
USPC ..... D3/218-219, 215, 228, 299, 303;  
224/197, 199, 219, 222, 247, 269,  
224/271-272, 666, 668, 195; 206/305,  
206/320; 24/3.12, 573.11, 580.11, 669,  
24/DIG. 20; 248/221.11, 518; 455/351,  
455/575.1-575.8; D14/217, 251, 253;  
1/1  
CPC . A01K 97/10; A45F 5/021; A45F 2200/0516;  
A45F 5/00; A45F 5/02; A45F 3/02; A45F  
3/14; A45C 2011/002; A45C 11/00  
See application file for complete search history.

(56) **References Cited**

**U.S. PATENT DOCUMENTS**

D280,146 S \* 8/1985 Liataud ..... D3/218  
6,129,251 A \* 10/2000 Lajoie ..... A01K 97/10  
224/197  
D435,541 S \* 12/2000 Kataoka ..... D14/217

D519,731 S \* 5/2006 Andre ..... D3/218  
D520,739 S \* 5/2006 Tsai ..... D3/218  
7,331,872 B1 \* 2/2008 Parsons ..... A45F 5/02  
224/195  
D655,081 S \* 3/2012 Maravilla ..... D3/218  
D685,991 S \* 7/2013 Pearce ..... D3/218  
D686,409 S \* 7/2013 Pearce ..... D3/218  
9,223,190 B1 \* 12/2015 Yang ..... A45F 5/00

**OTHER PUBLICATIONS**

Notification of Transmittal of the International Search Report and  
the Written Opinion of the International Searching Authority; PCT/  
US2016/014346 issued on May 17, 2016.

\* cited by examiner

*Primary Examiner* — Catheri Oliver-Garcia

(74) *Attorney, Agent, or Firm* — Studebaker & Brackett  
PC

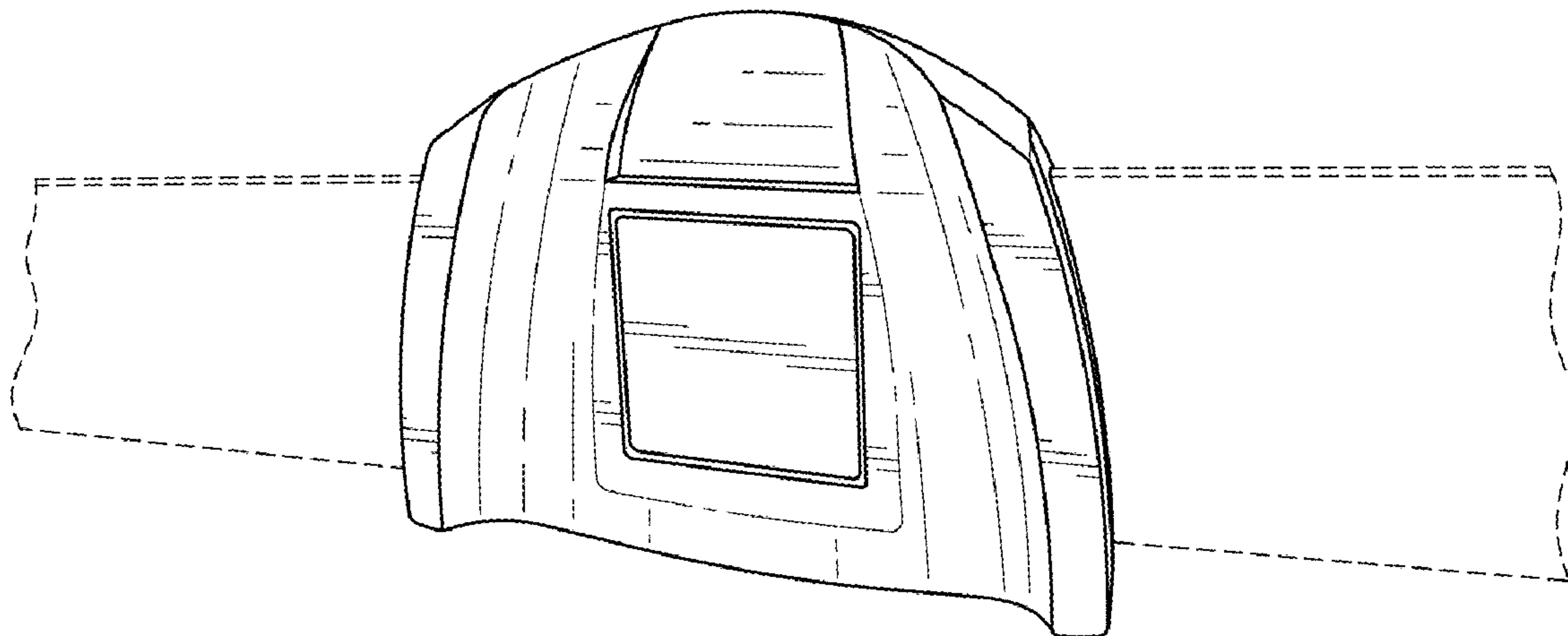
(57) **CLAIM**

The ornamental design for a complementary support for a  
cradle that holds an electronic device, as shown and  
described.

**DESCRIPTION**

FIG. 1 is a front perspective view of a complementary  
support for a cradle that holds an electronic device;  
FIG. 2 is a rear perspective view thereof;  
FIG. 3 is a front view thereof,  
FIG. 4 is a rear view thereof,  
FIG. 5 is a top view thereof,  
FIG. 6 is a bottom view thereof,  
FIG. 7 is a left side view thereof; and,  
FIG. 8 is a right side view thereof.  
The broken lines depict environmental structure, and are  
included for illustrative purposes only and form no part of  
the claimed design.

**1 Claim, 3 Drawing Sheets**



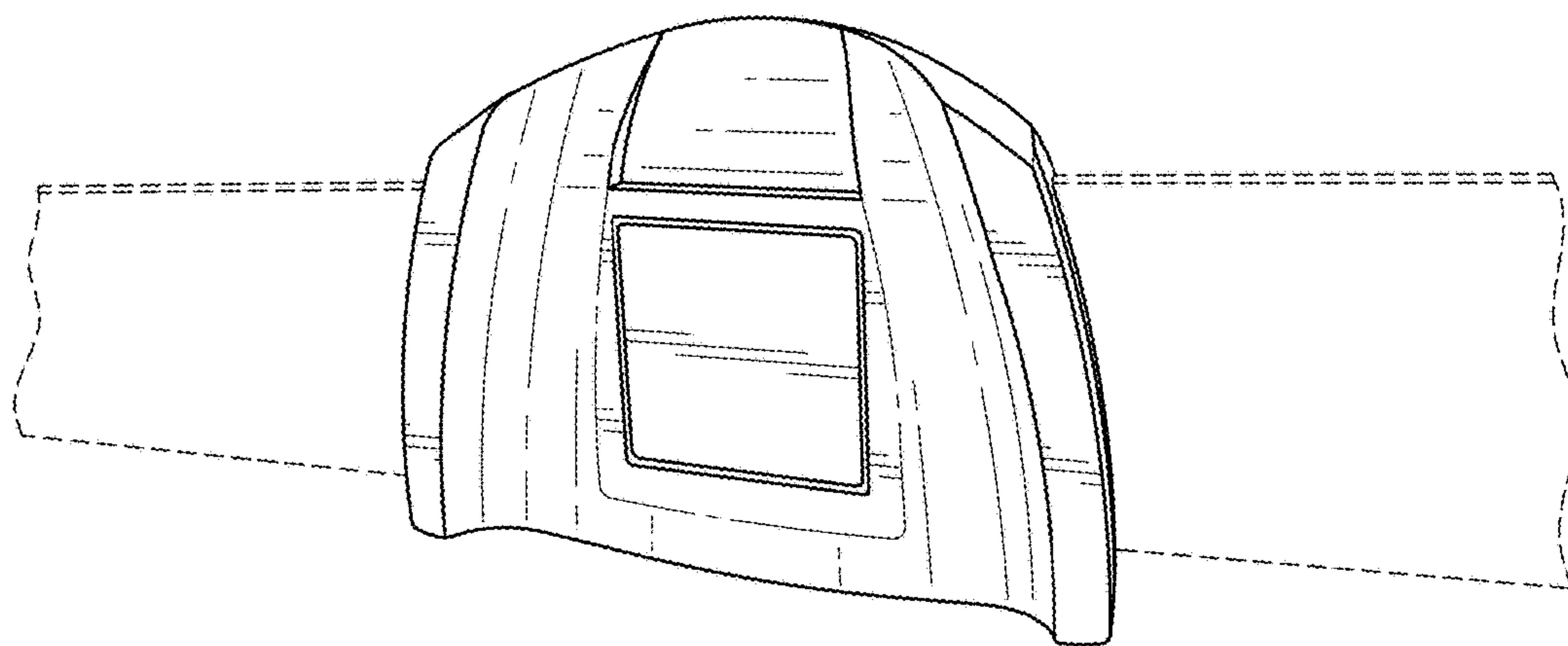


FIG. 1

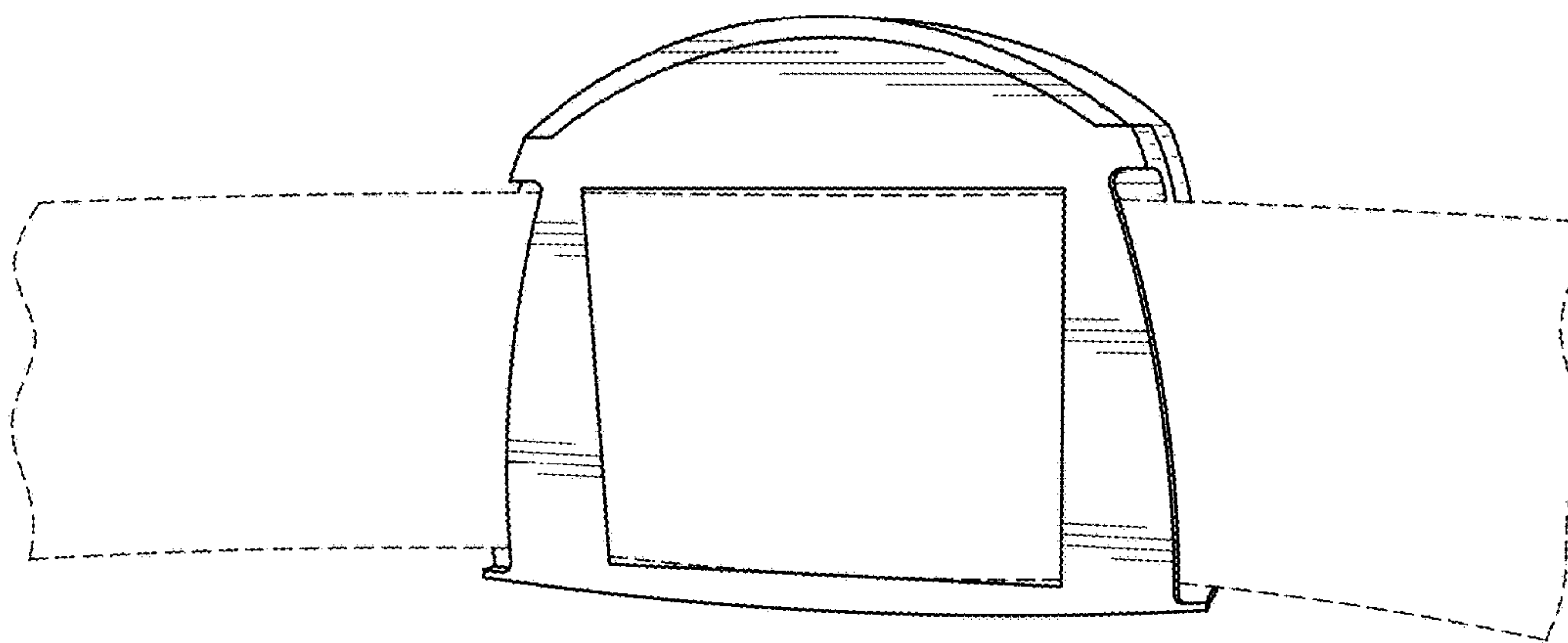


FIG. 2

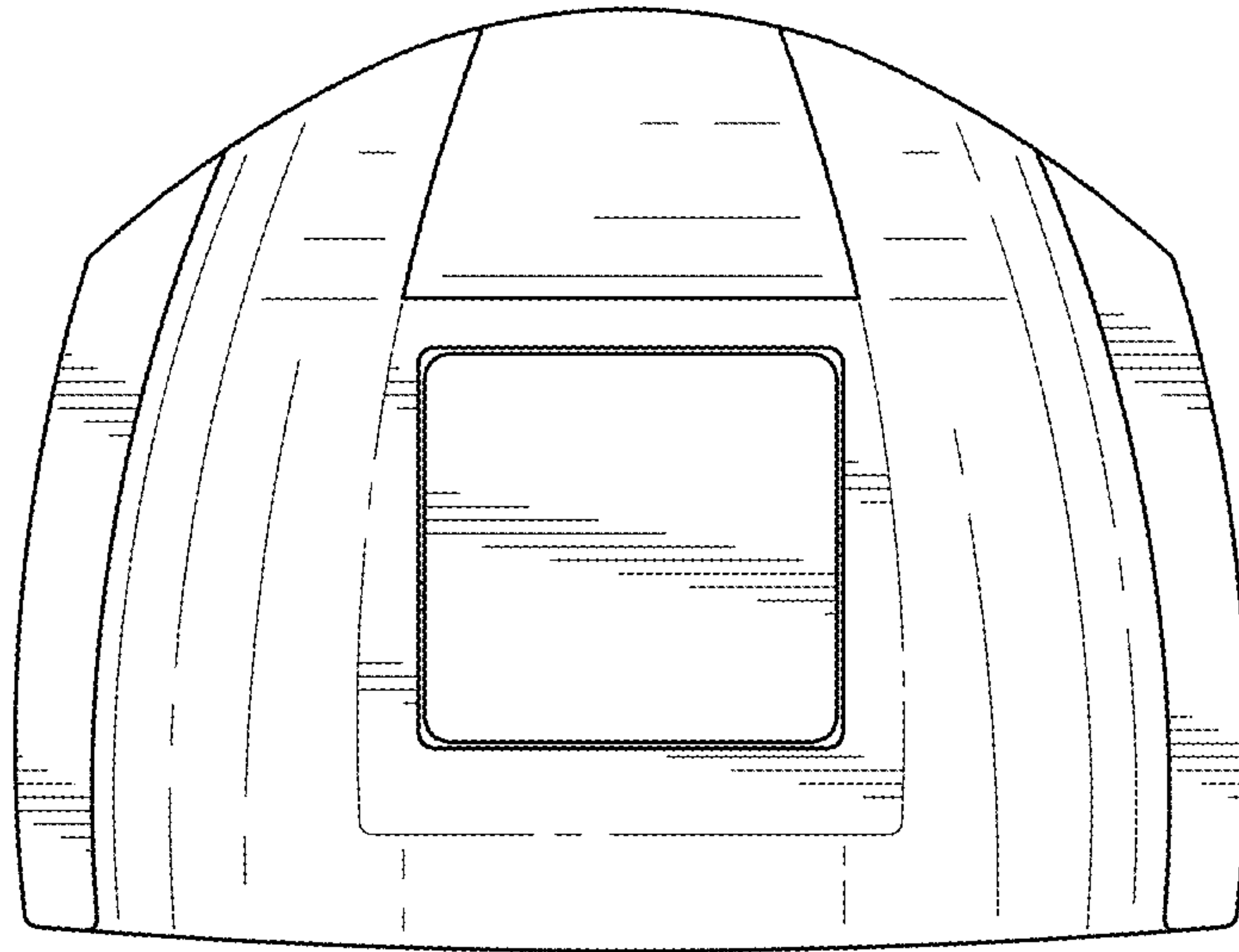


FIG. 3

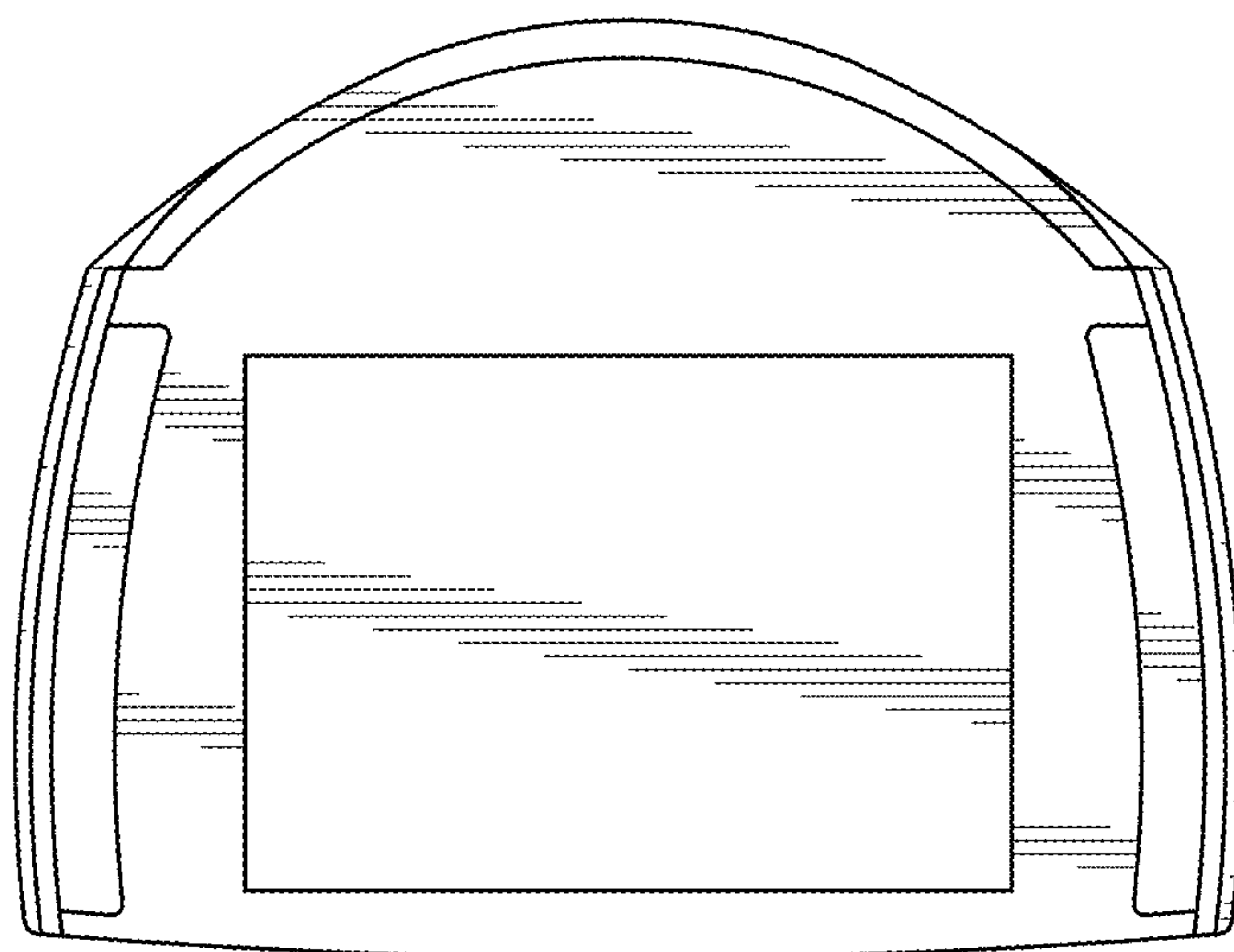


FIG. 4

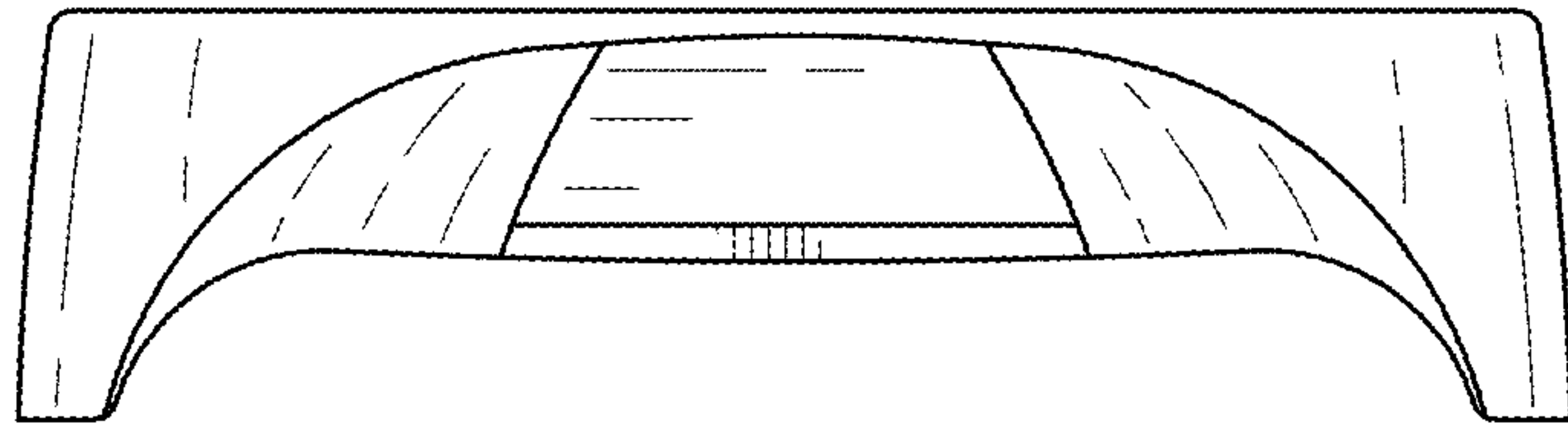


FIG. 5

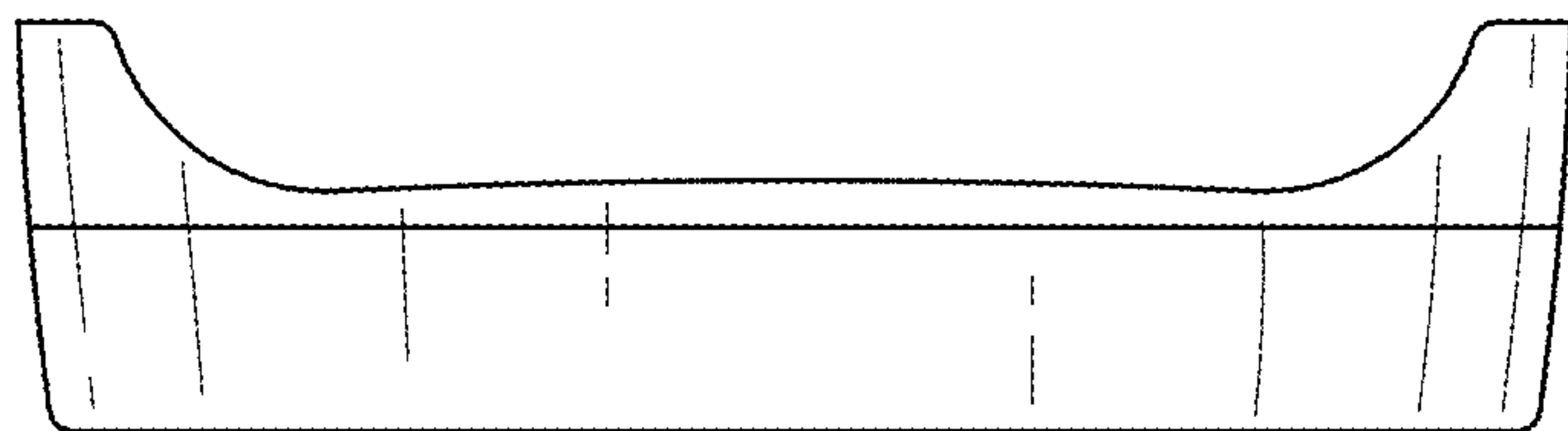


FIG. 6

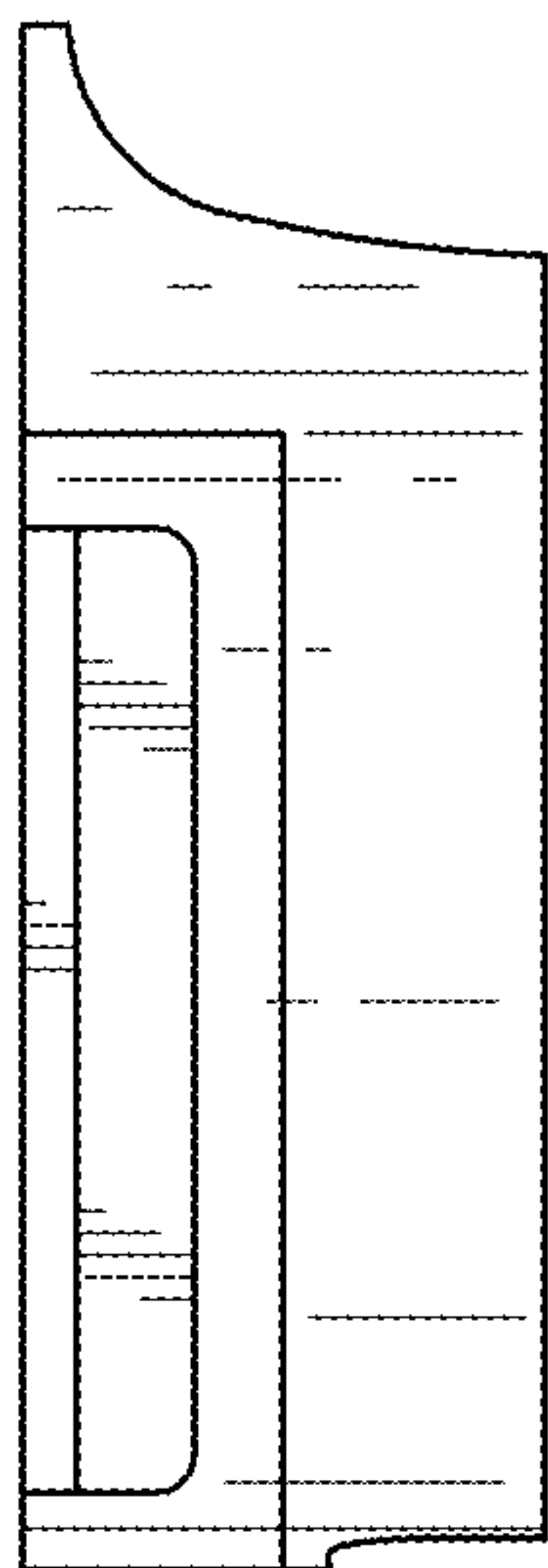


FIG. 7

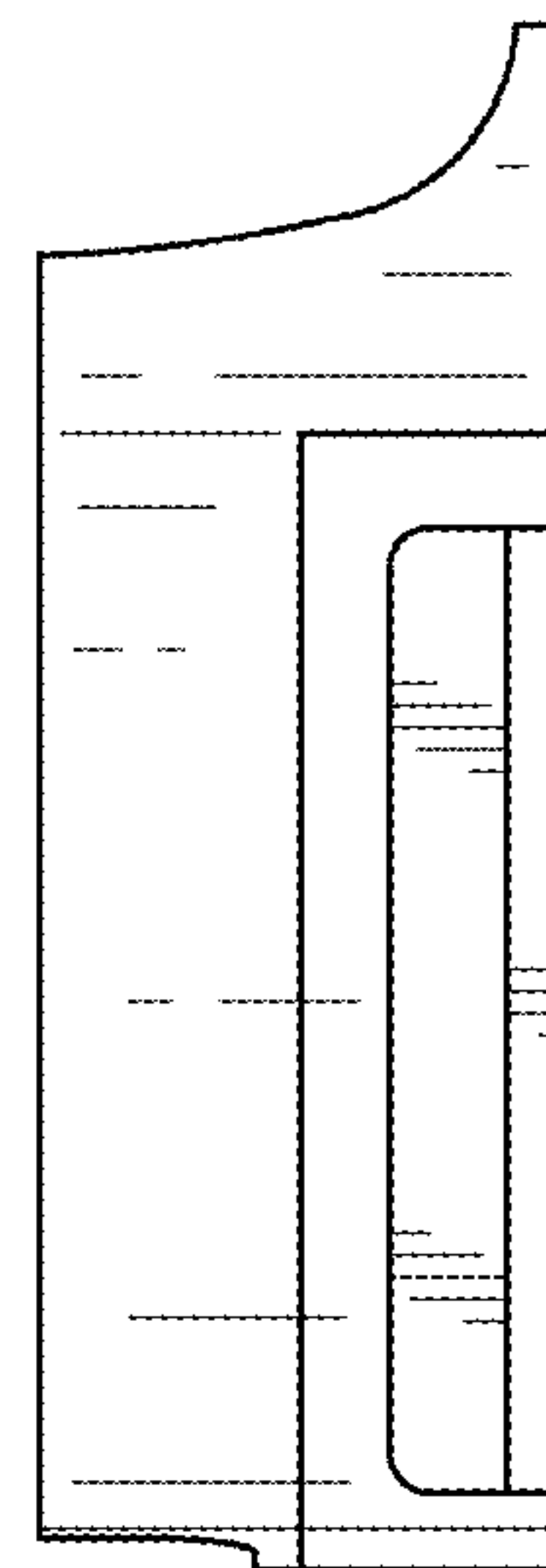


FIG. 8