



US00D781040S

(12) **United States Design Patent**
Scofield

(10) **Patent No.:** **US D781,040 S**
(45) **Date of Patent:** **** Mar. 14, 2017**

- (54) **SOLE FOR FOOTWEAR**
- (71) Applicant: **Chinook Asia LLC**, Lake Oswego, OR (US)
- (72) Inventor: **Robert Kent Scofield**, Lake Oswego, OR (US)
- (73) Assignee: **Chinook Asia LLC**, Lake Oswego, OR (US)

- D331,314 S 12/1992 Smith
- D350,638 S 9/1994 Yoshikawa et al.
- D350,641 S 9/1994 Kayano et al.
- D351,717 S 10/1994 Kayano et al.
- D353,257 S 12/1994 Kayano
- D356,670 S 3/1995 Mitsui et al.

(Continued)

FOREIGN PATENT DOCUMENTS

WO 2014022647 A1 2/2014

(**) Term: **15 Years**

OTHER PUBLICATIONS

(21) Appl. No.: **29/534,076**

Skechers, Skech-Air shoes with Memory Foam, purchased Mar. 2015, 8 photos.

(22) Filed: **Jul. 24, 2015**

(Continued)

(51) **LOC (10) Cl.** **02-04**

Primary Examiner — T. Chase Nelson

(52) **U.S. Cl.**

(74) *Attorney, Agent, or Firm* — Kolisch Hartwell, P.C.

USPC **D2/957**; D2/947; D2/951; D2/960

(58) **Field of Classification Search**

USPC D2/902, 906, 908, 916, 918, 925,
D2/946–962, 977; 36/3 B, 22 R, 24.5,
36/25 R, 28, 32 R, 34 R, 59 C, 67 A, 103
CPC A43B 13/00; A43B 13/02; A43B 13/023;
A43B 13/026; A43B 13/04; A43B 13/08;
A43B 13/10; A43B 13/12; A43B 13/14;
A43B 13/141; A43B 13/143; A43B
13/16; A43B 13/18; A43B 13/181; A43B
13/187; A43B 13/189; A43B 13/20; A43B
13/22; A43B 13/223; A43B 13/24; A43B
13/28; A43B 13/30; A43B 13/32; A43B
13/34; A43B 13/36

See application file for complete search history.

(57) **CLAIM**

The ornamental design for a sole for footwear, as shown and described.

DESCRIPTION

FIG. 1 is a perspective view of a sole for footwear showing our new design;
FIG. 2 is front elevation view thereof;
FIG. 3 is a rear elevation view thereof;
FIG. 4 is a right elevation view thereof;
FIG. 5 is a left elevation view thereof;
FIG. 6 is a top plan view thereof; and,
FIG. 7 is a bottom plan view thereof.

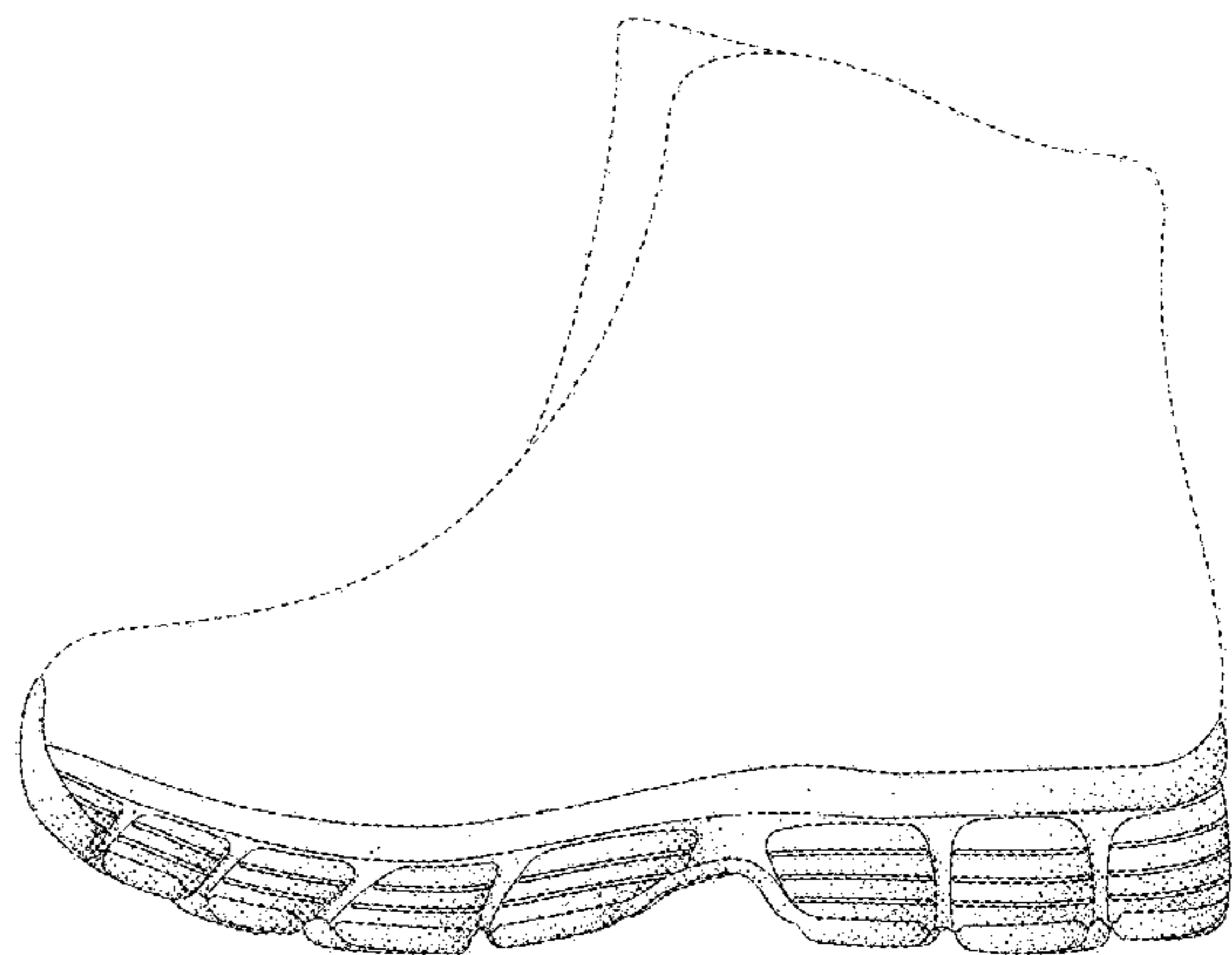
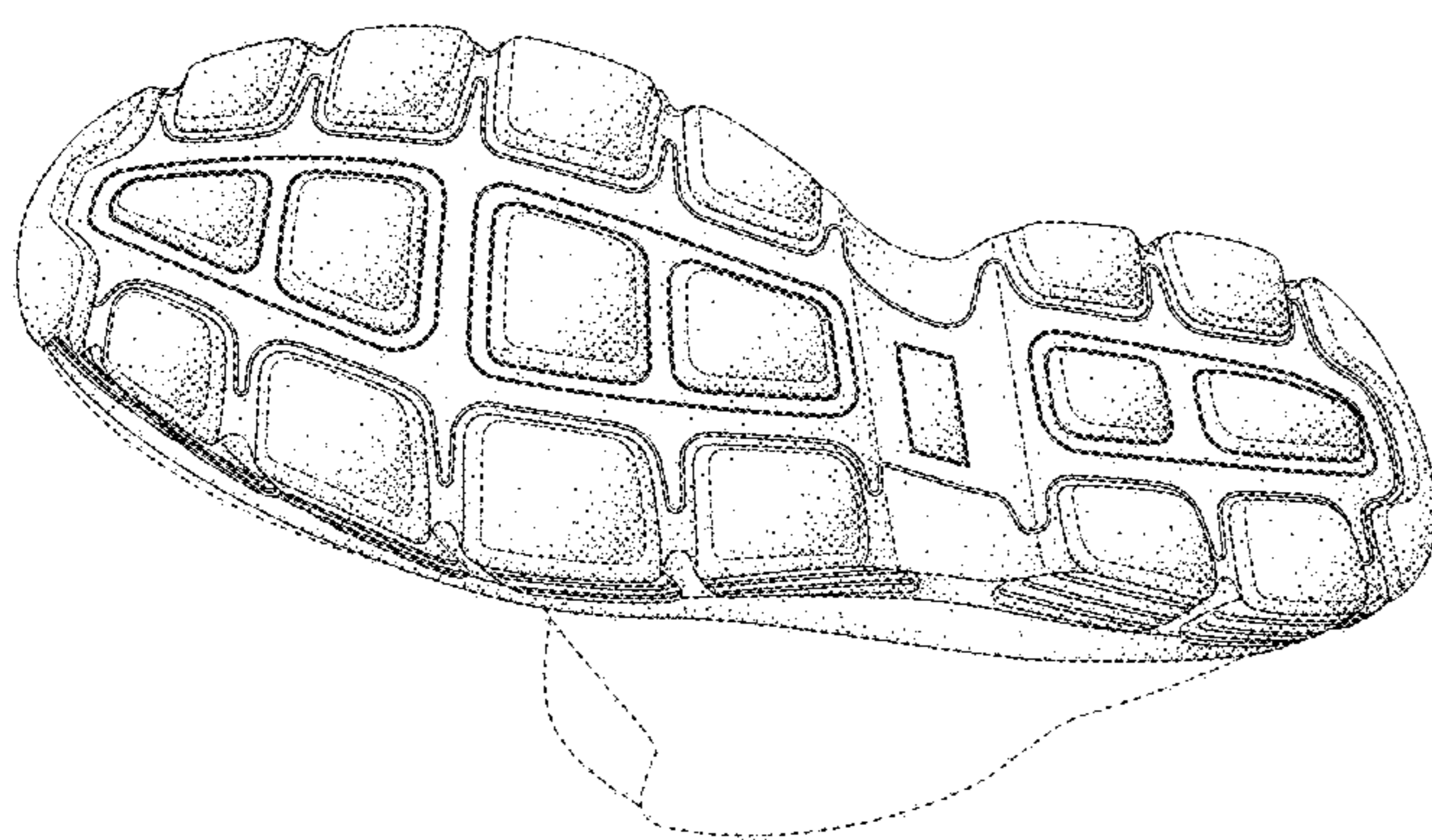
The dashed lines shown in the drawings are included for the purposes of illustrating the upper boundary of the claimed design as well as environmental structure in the form of a footwear upper. The dashed lines, structure, and boundary they depict form no part of the claimed design.

(56) **References Cited**

U.S. PATENT DOCUMENTS

- 302,190 A 7/1884 Butterfield
- 4,722,131 A 2/1988 Huang
- D305,955 S 2/1990 Hase
- D323,580 S 2/1992 Hoshimi
- D323,928 S 2/1992 Claveria

1 Claim, 6 Drawing Sheets



(56)

References Cited

U.S. PATENT DOCUMENTS

D357,571 S 4/1995 Mitsui
 D365,921 S 1/1996 von Conta et al.
 D373,458 S 9/1996 Tanaka et al.
 D373,898 S 9/1996 Bramani
 D377,411 S 1/1997 Murray
 D377,859 S 2/1997 Bramani
 D378,318 S 3/1997 James
 D379,862 S 6/1997 Morgan
 D397,849 S * 9/1998 Mitsui D2/954
 5,901,467 A * 5/1999 Peterson A43B 13/20
 36/28
 5,925,306 A 7/1999 Huang
 6,009,637 A * 1/2000 Pavone A43B 13/14
 36/28
 D429,551 S 8/2000 Wilson
 D437,477 S 2/2001 Tyler
 D504,757 S 5/2005 Schoenborn et al.
 D512,819 S 12/2005 Usuki et al.
 D514,286 S 2/2006 Kayano et al.
 D520,220 S * 5/2006 Morgan D2/954
 D540,014 S * 4/2007 Turner D2/951
 D546,036 S 7/2007 Schoenborn et al.
 D554,840 S * 11/2007 McClaskie D2/953
 7,313,875 B2 * 1/2008 Morgan A43B 13/145
 36/25 R
 D593,740 S 6/2009 McClaskie
 D594,195 S 6/2009 Nakano
 D601,334 S 10/2009 Werman
 D604,932 S 12/2009 Le
 7,797,856 B2 9/2010 Andrews et al.
 D657,941 S 4/2012 Bramani et al.
 D658,356 S * 5/2012 Bacon D2/951
 D680,726 S * 4/2013 Propet D2/951
 8,752,307 B2 * 6/2014 Cooper A43B 1/0072
 36/102
 D708,430 S 7/2014 Weeks
 D711,636 S * 8/2014 Christensen D2/951

D724,830 S 3/2015 Joseph
 D725,881 S * 4/2015 Weeks D2/951
 D734,008 S * 7/2015 Marvin D2/951
 D734,930 S * 7/2015 Bikowski D2/951
 D736,508 S * 8/2015 Taestensen D2/951
 D741,588 S 10/2015 Weeks
 D742,106 S * 11/2015 Taestensen D2/951
 D746,561 S * 1/2016 Bikowski D2/951
 D756,093 S * 5/2016 Mahoney D2/951
 2006/0021253 A1 2/2006 Pasternak et al.
 2006/0130368 A1 * 6/2006 Morgan A43B 13/145
 36/59 R
 2007/0028484 A1 2/2007 Akhidime
 2008/0244926 A1 * 10/2008 Yu A43B 7/1415
 36/28
 2009/0139114 A1 6/2009 Malek
 2010/0031533 A1 * 2/2010 Keenan A43B 1/0027
 36/100
 2010/0050471 A1 3/2010 Kim
 2010/0180474 A1 * 7/2010 Clark A43B 3/00
 36/3 B
 2010/0212185 A1 * 8/2010 Cooper A43B 1/0072
 36/12
 2012/0222332 A1 * 9/2012 Greene A43D 35/00
 36/103
 2012/0227289 A1 9/2012 Beers et al.
 2014/0082968 A1 3/2014 Binzer
 2014/0283413 A1 * 9/2014 Christensen A43B 3/0057
 36/102
 2015/0040425 A1 * 2/2015 Adams A43B 7/088
 36/29

OTHER PUBLICATIONS

Mar. 14, 2016, Office action from the U.S. Patent and Trademark Office in U.S. Appl. No. 29/498,615, which is another application of Applicant Chinook Asia LLC.

* cited by examiner

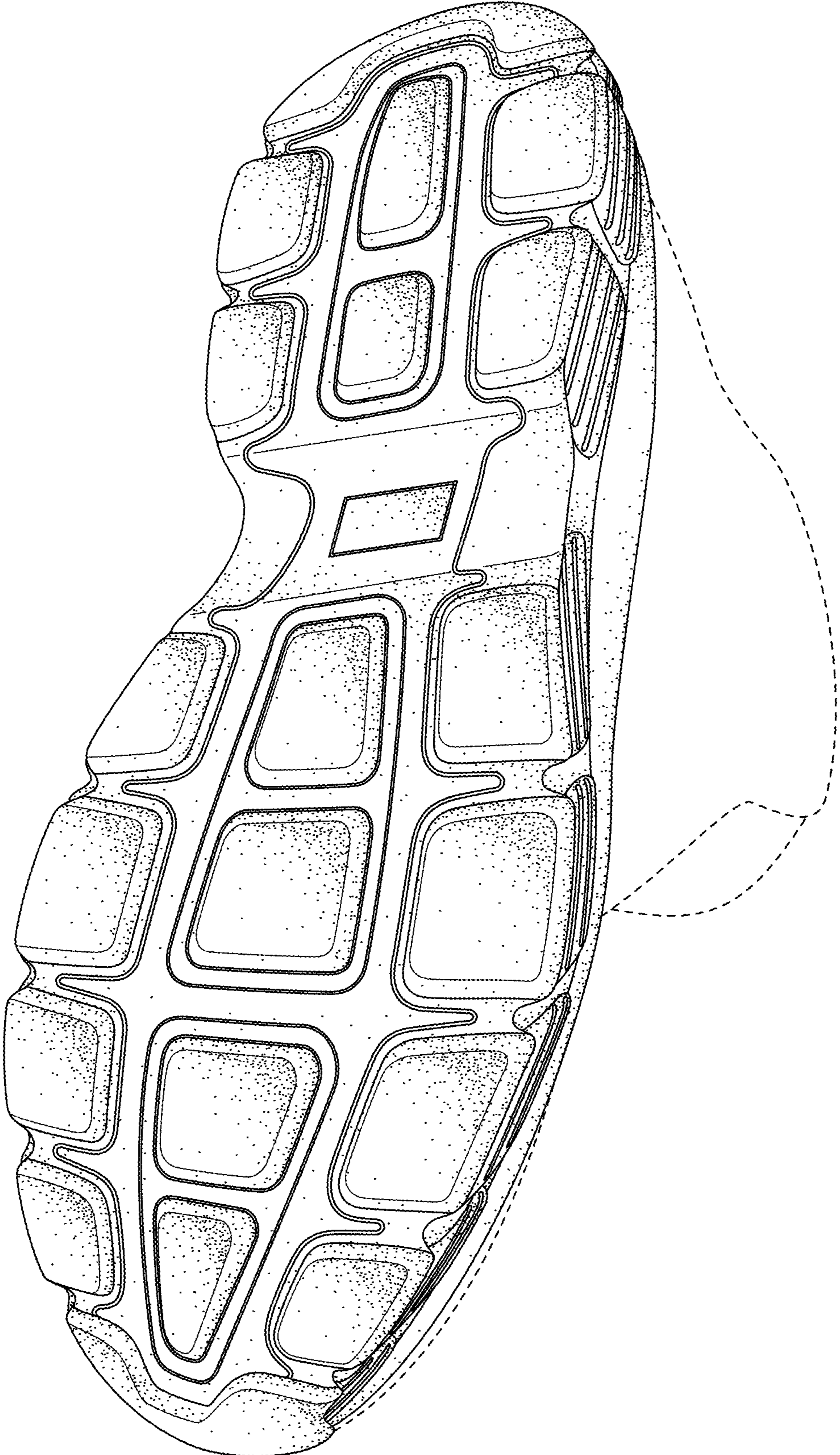


FIG. 1

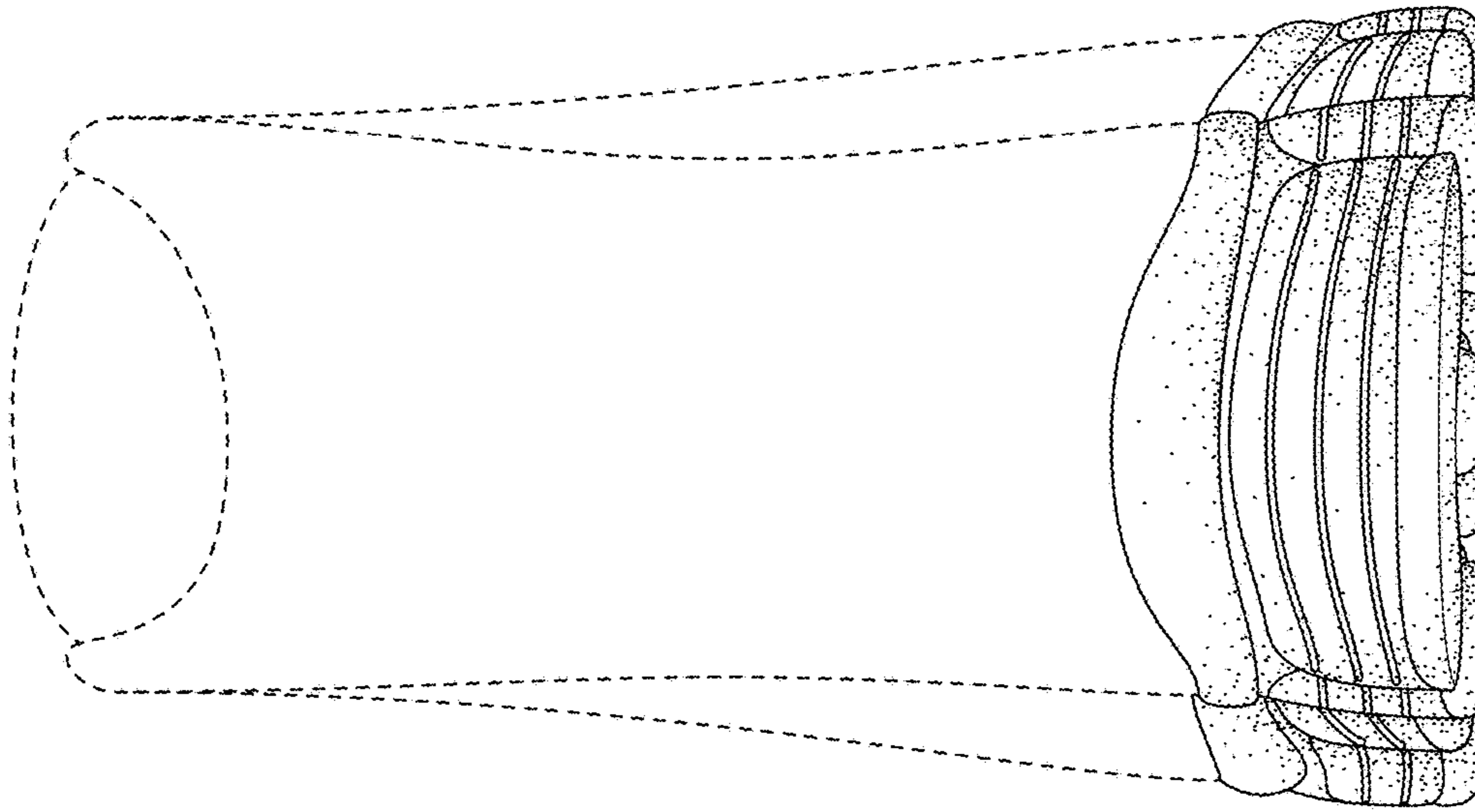


FIG. 3

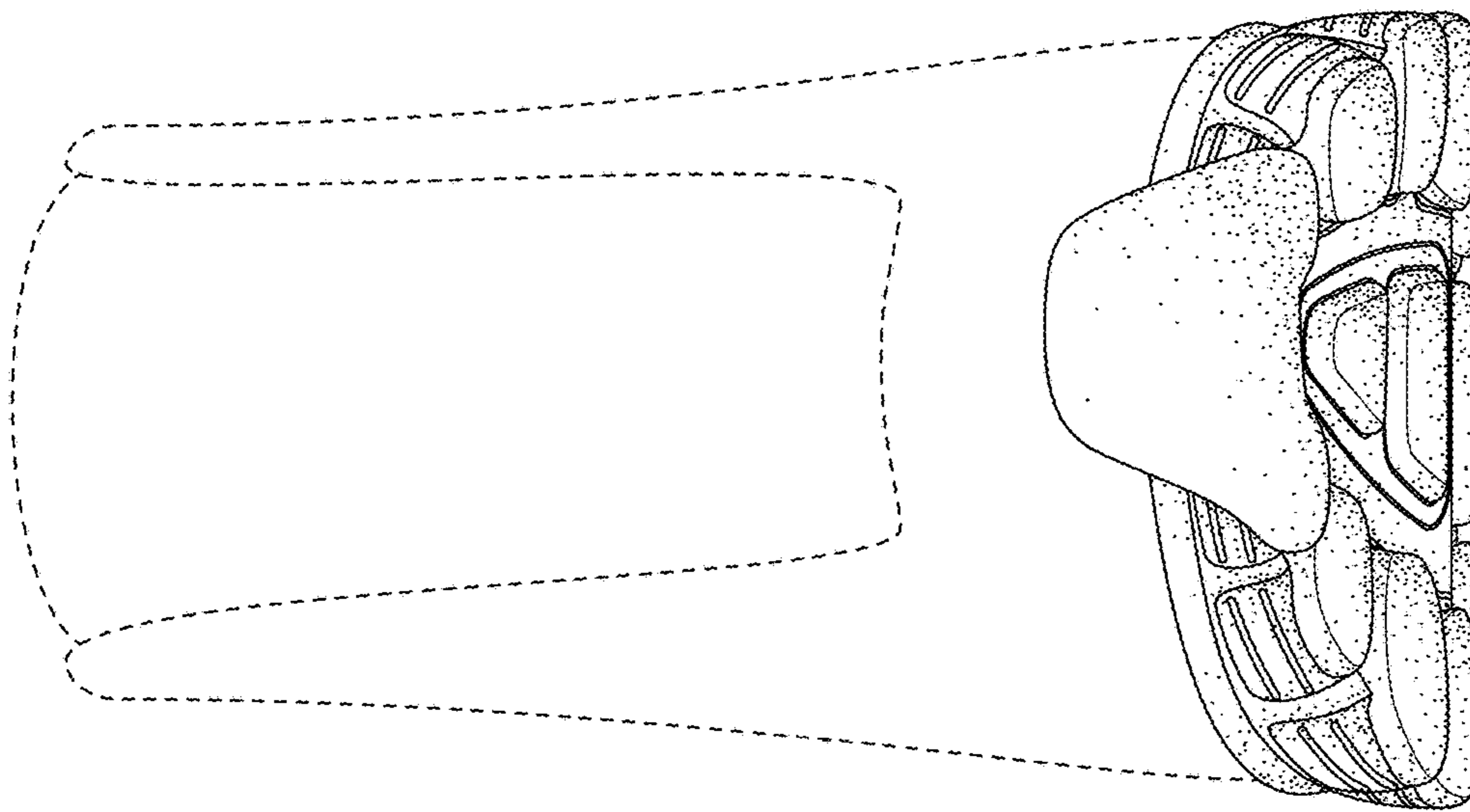


FIG. 2

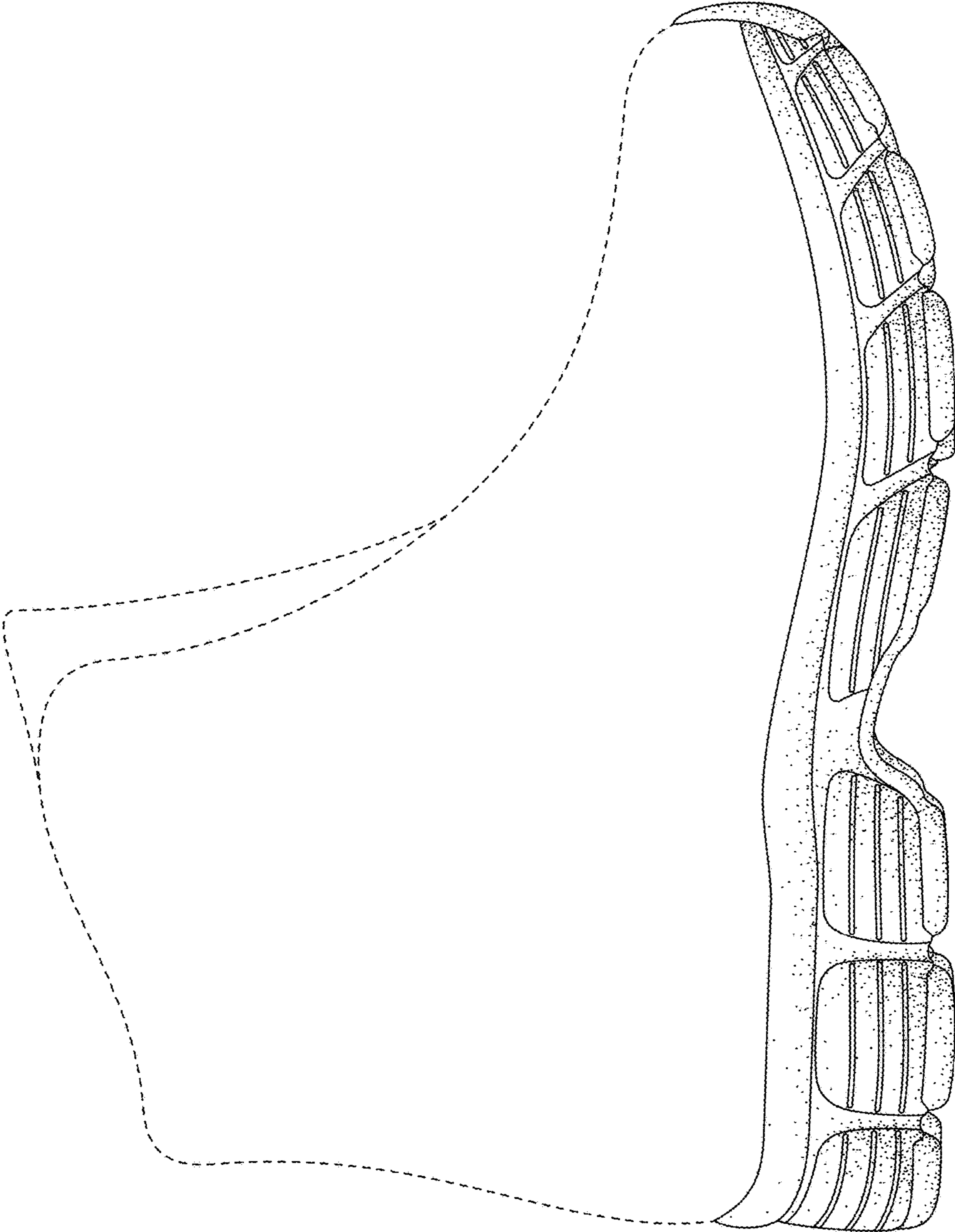


FIG. 4

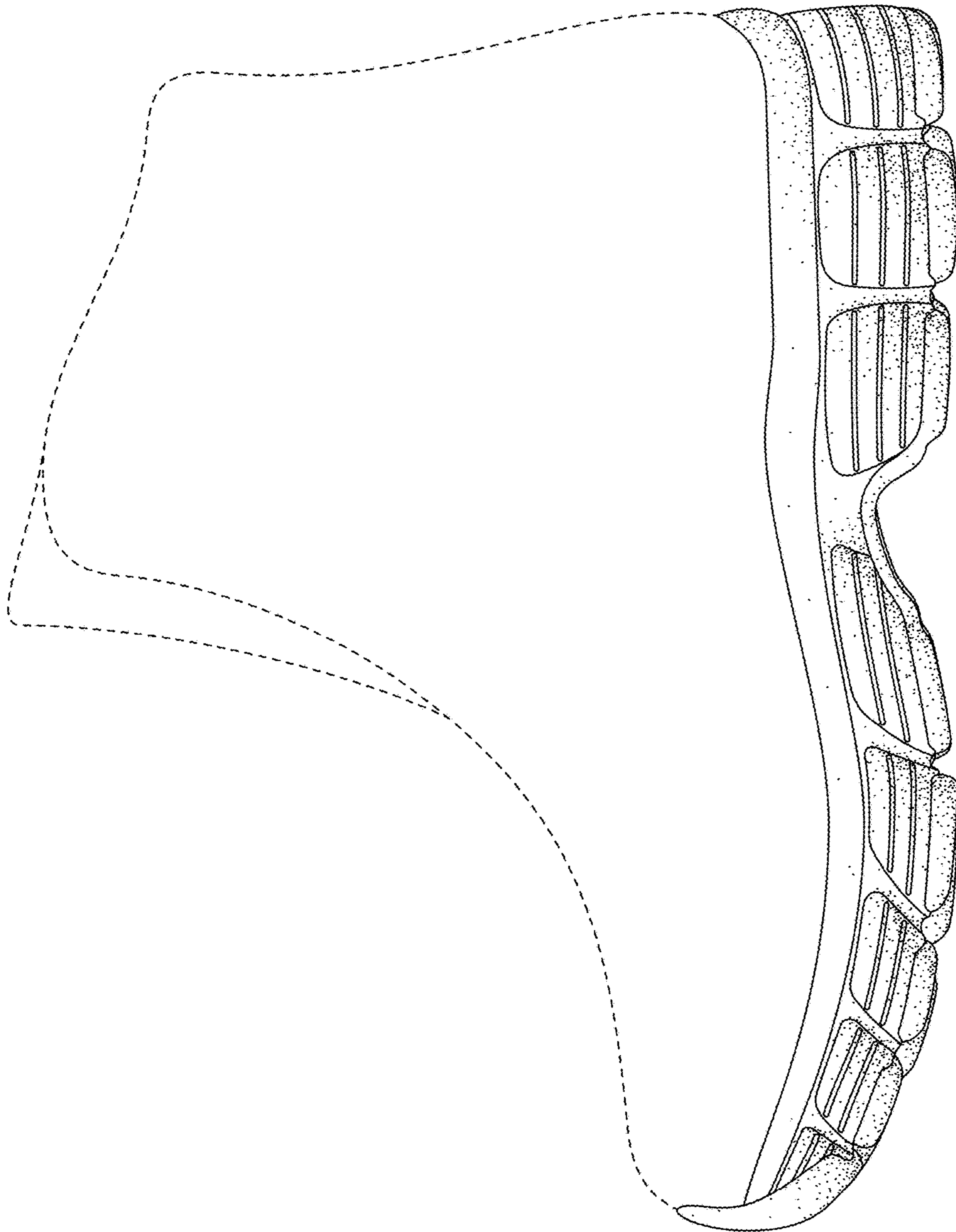


FIG. 5

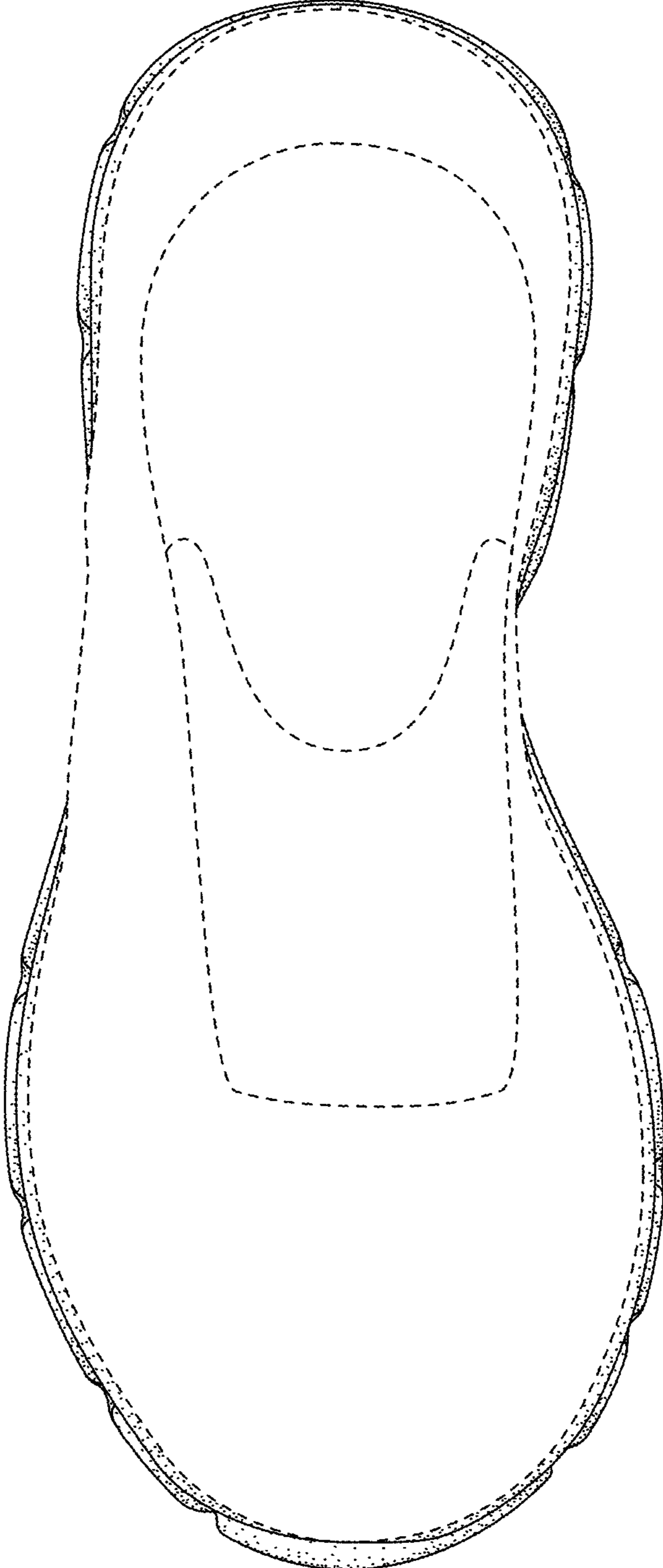


FIG. 6

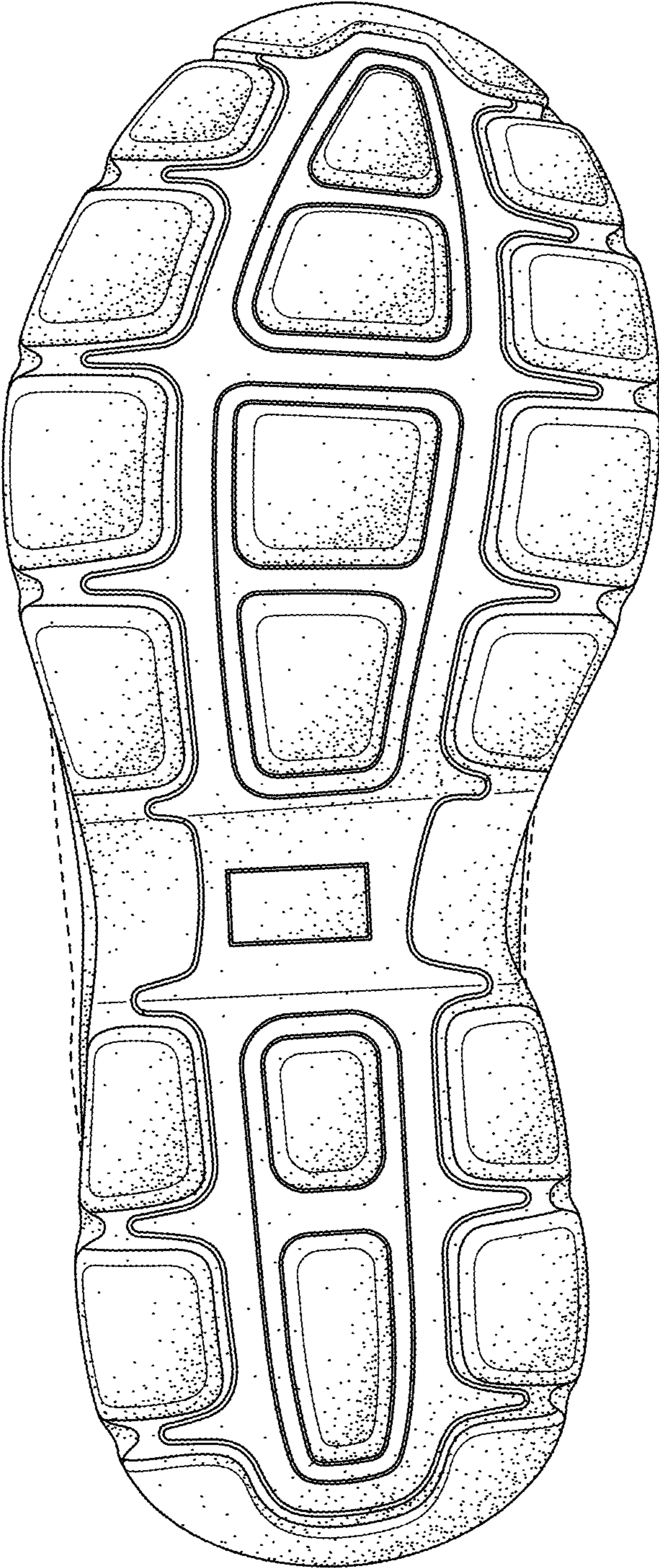


FIG. 7