



US00D781030S

(12) **United States Design Patent**
Foust

(10) **Patent No.:** **US D781,030 S**

(45) **Date of Patent:** **** Mar. 14, 2017**

(54) **BOOT**

(71) Applicant: **LaCrosse Footwear, Inc.**, Portland, OR (US)

(72) Inventor: **Ryan James Foust**, Portland, OR (US)

(73) Assignee: **LaCrosse Footwear, Inc.**, Portland, OR (US)

(**) Term: **15 Years**

(21) Appl. No.: **29/542,644**

(22) Filed: **Oct. 15, 2015**

(51) **LOC (10) Cl.** **02-04**

(52) **U.S. Cl.**
USPC **D2/910; D2/970**

(58) **Field of Classification Search**
USPC D2/896, 900, 909-911, 943, 946, 969,
D2/970, 974; 36/83, 1.5, 2 R, 109, 3 A,
36/7.1 R, 45, 52, 112, 100
CPC A43C 1/00; A43C 11/004; A43B 3/16; A43B
23/00
See application file for complete search history.

(56) **References Cited**

U.S. PATENT DOCUMENTS

D282,599 S * 2/1986 Frey D2/911
D303,037 S * 8/1989 Kushitani D2/911

D304,125 S * 10/1989 Kushitani D2/912
D622,487 S * 8/2010 McCarron D2/909
D658,359 S * 5/2012 Spring D2/911
D704,928 S * 5/2014 Roundhouse D2/970
D712,638 S * 9/2014 Barker D2/910
D722,761 S * 2/2015 Monroy D2/970
D747,078 S * 1/2016 Feller D2/910
D769,588 S * 10/2016 Barker D2/910

* cited by examiner

Primary Examiner — Holly Baynham

Assistant Examiner — Rashida C Walshon

(74) *Attorney, Agent, or Firm* — Perkins Coie LLP

(57) **CLAIM**

The ornamental design for the boot, as shown and described.

DESCRIPTION

FIG. 1 is an isometric view of a boot showing our new design.

FIG. 2 is a front elevational view thereof.

FIG. 3 is a rear elevational view thereof.

FIG. 4 is a right-side elevational view thereof.

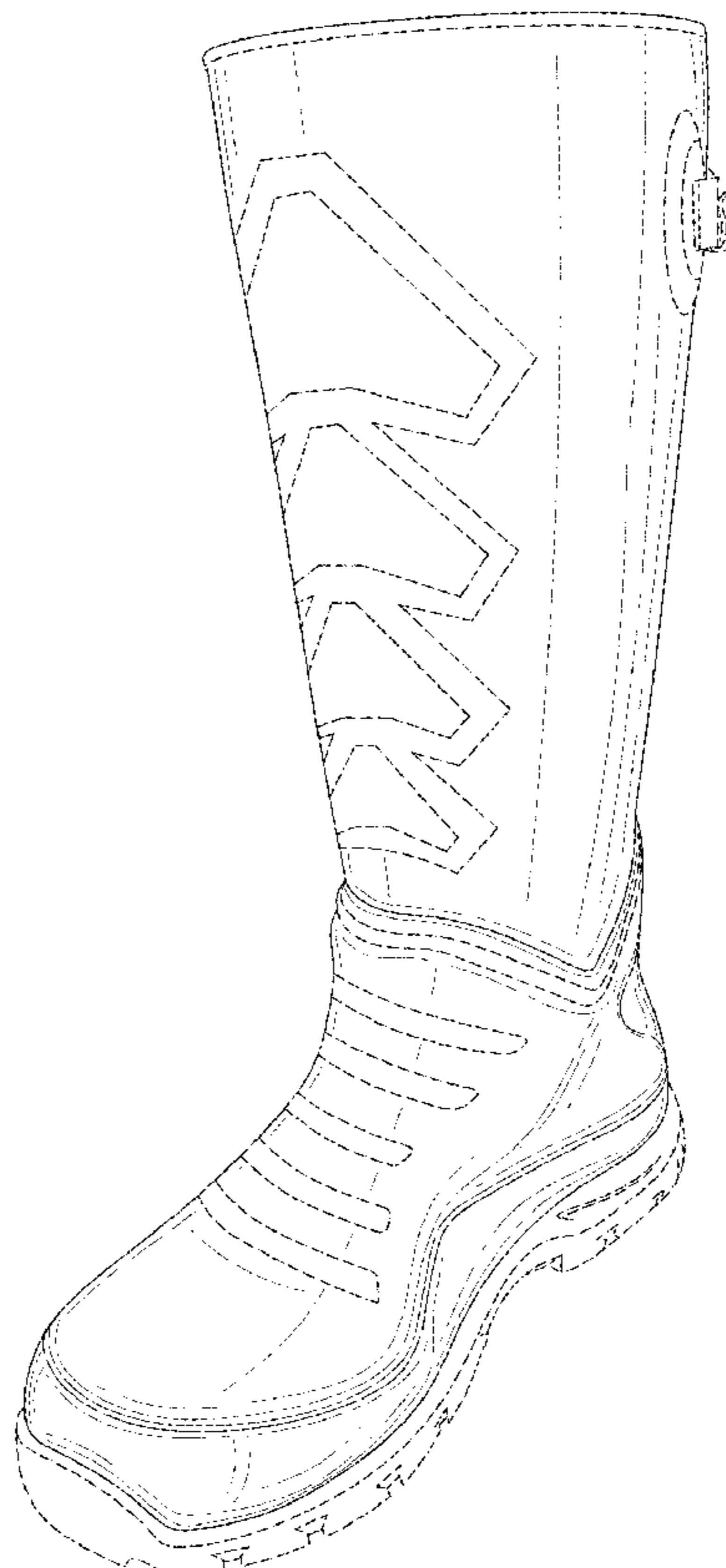
FIG. 5 is a left-side elevational view thereof.

FIG. 6 is a top plan view thereof; and,

FIG. 7 is a bottom plan view thereof.

The broken lines in the drawings illustrates portions of the boot that form no part of the claim.

1 Claim, 6 Drawing Sheets



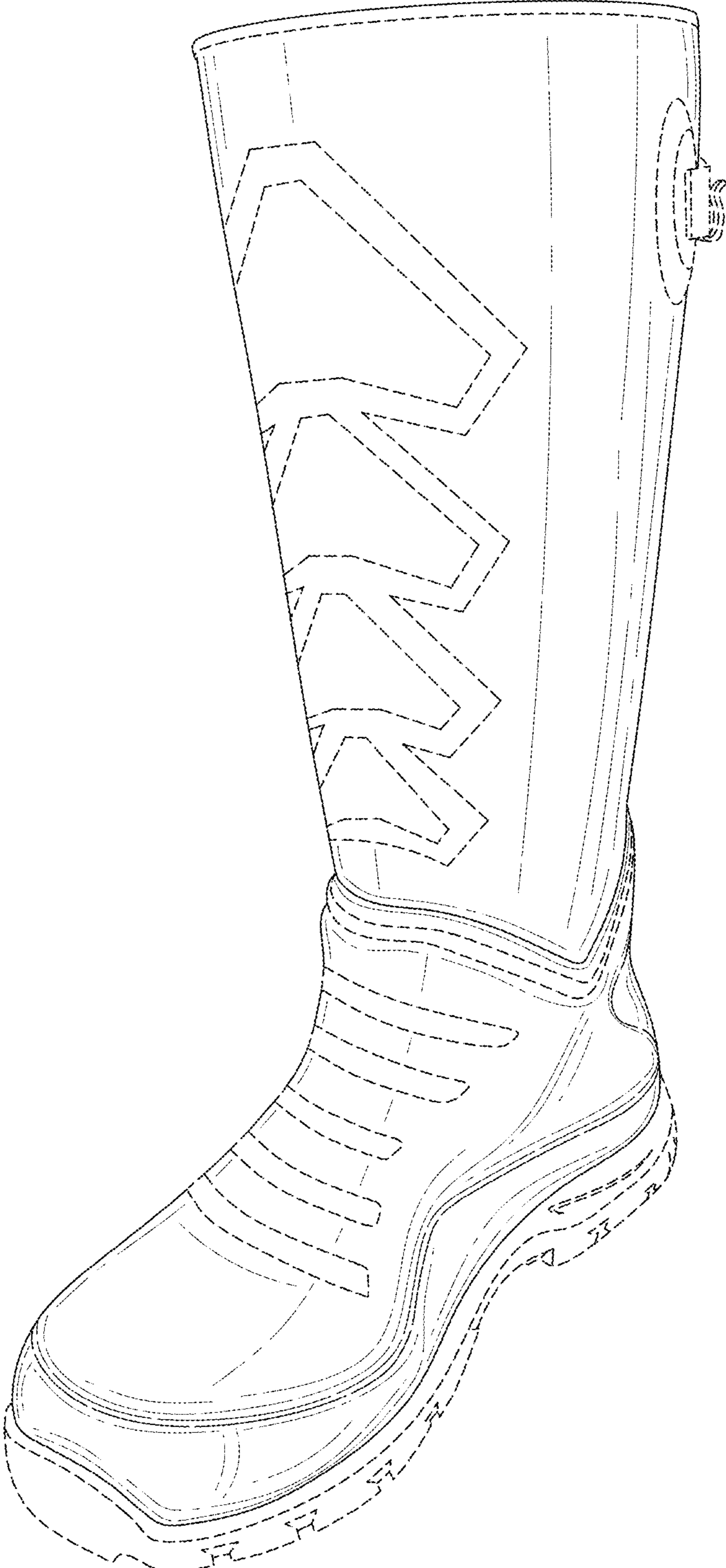


Fig. 1

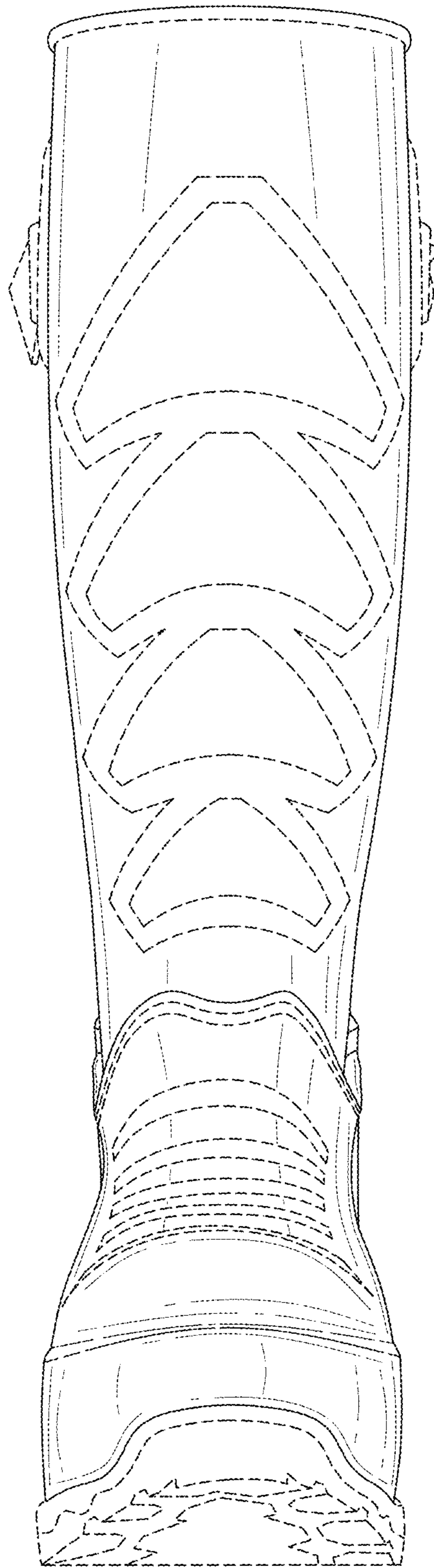


Fig. 2

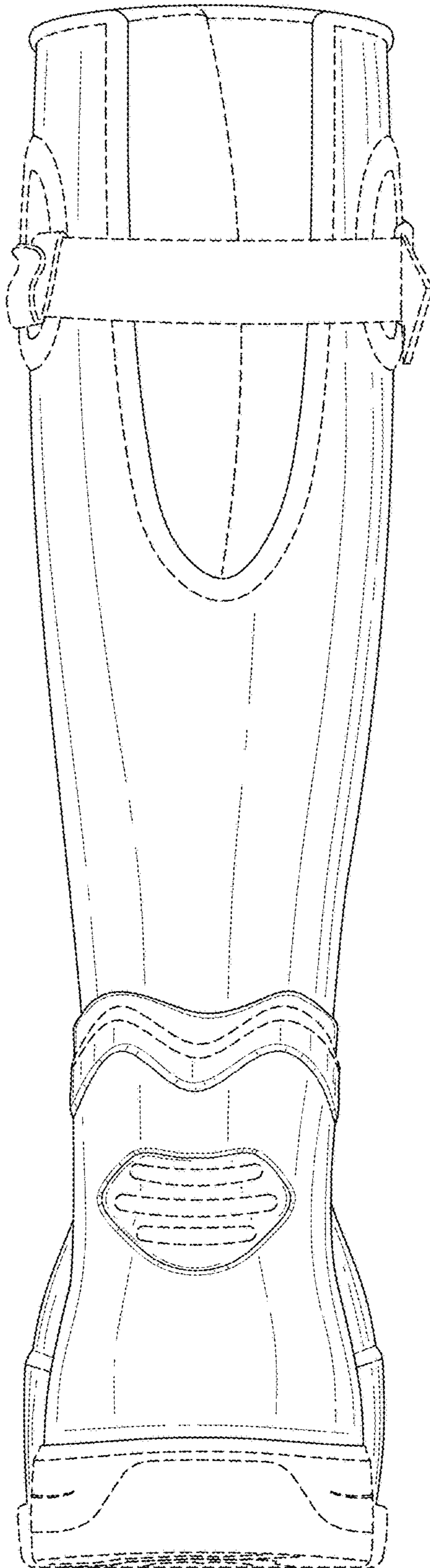


Fig. 3



Fig. 4



Fig. 5

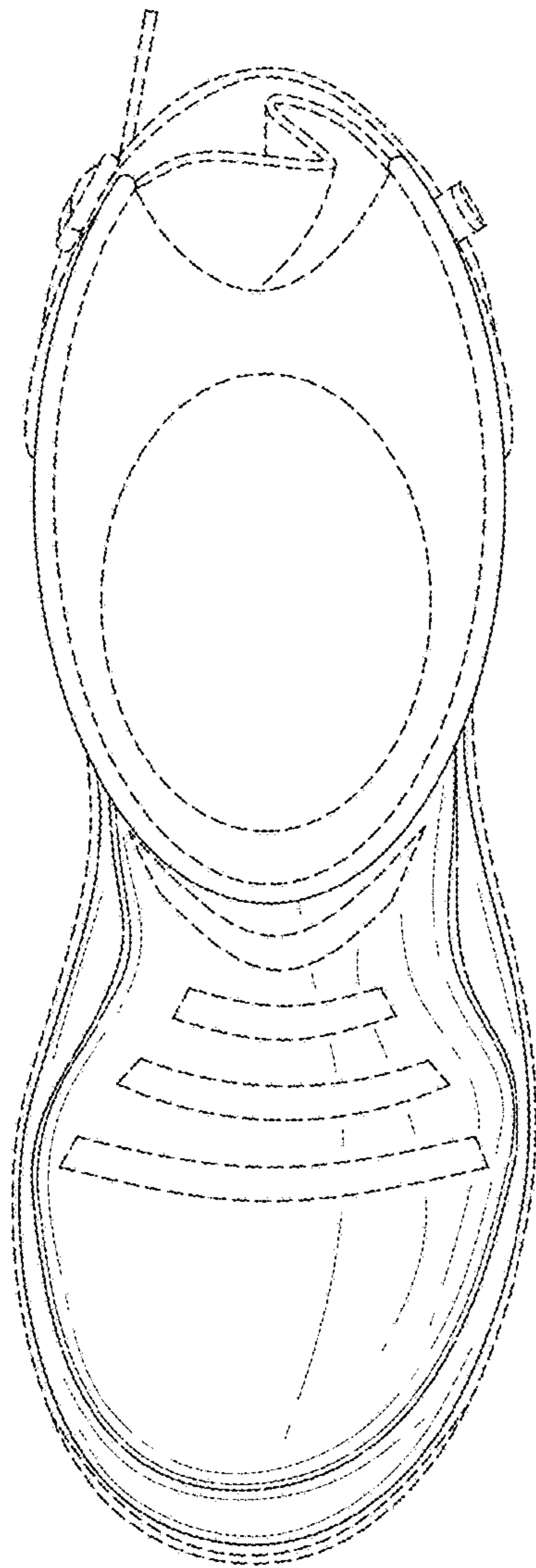


Fig. 6

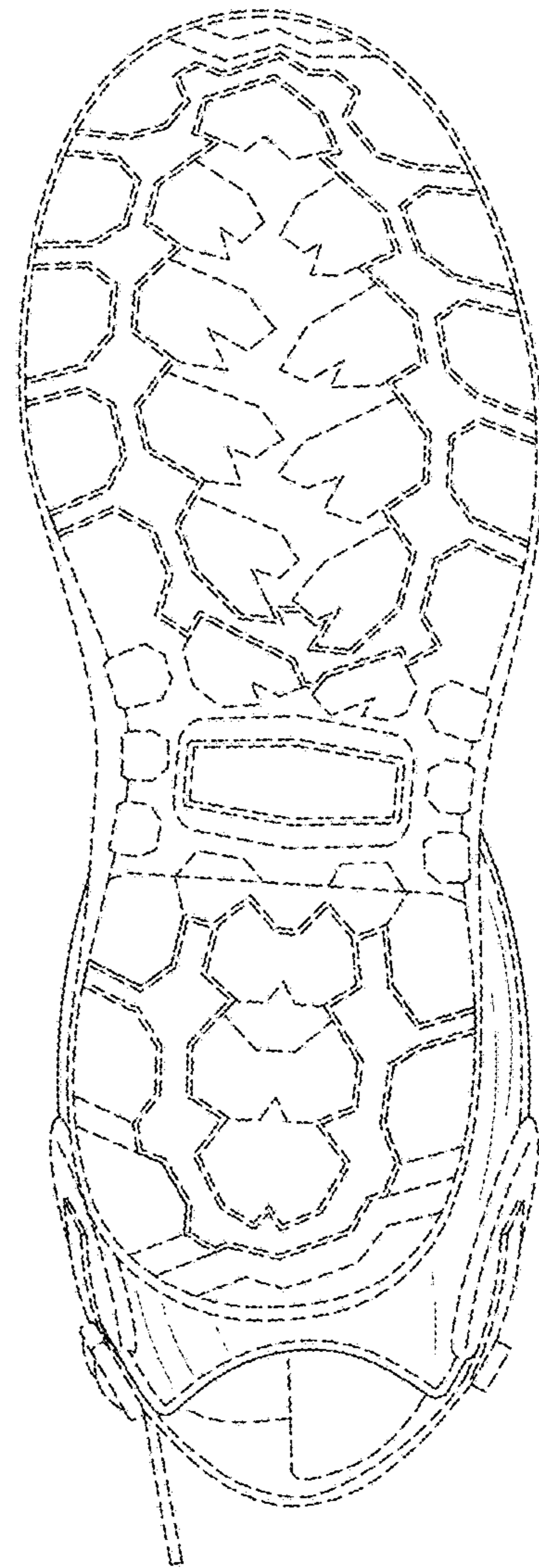


Fig. 7