



US00D781025S

(12) **United States Design Patent** (10) **Patent No.:** **US D781,025 S**
Pope et al. (45) **Date of Patent:** **** Mar. 14, 2017**

- (54) **PET FOOD PIECE**
- (71) Applicant: **Hill's Pet Nutrition, Inc.**, Topeka, KS (US)
- (72) Inventors: **Brent Pope**, Topeka, KS (US); **Douglas Brian Nadeau**, Topeka, KS (US)
- (73) Assignee: **Hill's Pet Nutrition, Inc.**, Topeka, KS (US)

D534,706	S	*	1/2007	Cuadrado	D1/125
D538,507	S	*	3/2007	Tansey	D1/125
D630,409	S	*	1/2011	Tansey	D1/125
D683,517	S	*	6/2013	Tansey	D1/125
D683,927	S	*	6/2013	Tansey	D1/125
D684,337	S	*	6/2013	Tansey	D1/125
8,647,694	B2	*	2/2014	Kimura	A23L 7/109 426/557
D725,868	S	*	4/2015	Kimura	D1/126
D759,343	S	*	6/2016	Kimura	D1/126

- (**) Term: **15 Years**
- (21) Appl. No.: **29/557,220**
- (22) Filed: **Mar. 7, 2016**
- (51) **LOC (10) Cl.** **01-01**
- (52) **U.S. Cl.**
USPC **D1/125**
- (58) **Field of Classification Search**
USPC D1/100-130, 199; 426/5, 76, 87, 92, 94, 426/95, 99, 101, 103, 104, 108, 134, 426/138-139, 143, 144, 279, 282, 283, 426/391, 514, 549, 559, 560, 660, 808; D9/439, 669; D24/130; D6/597, 598, D6/601; D21/488-490, 493, 680; D23/366, 386, 415; 239/44; D8/83
CPC . A23G 3/50; A23G 3/54; A23G 9/282; A23G 3/28; A23J 3/26; A23L 1/0067
See application file for complete search history.

FOREIGN PATENT DOCUMENTS

AU	150710	2/2003
AU	303275	9/2005
AU	305666	2/2006
AU	326457	6/2009
AU	326738	7/2009
AU	329873	3/2010
AU	335829	1/2014
AU	353501	1/2014

(Continued)

Primary Examiner — Garth Rademaker
Assistant Examiner — Katie Stofko Mroczka

(57) **CLAIM**

The ornamental design for a pet food piece, as shown and described.

DESCRIPTION

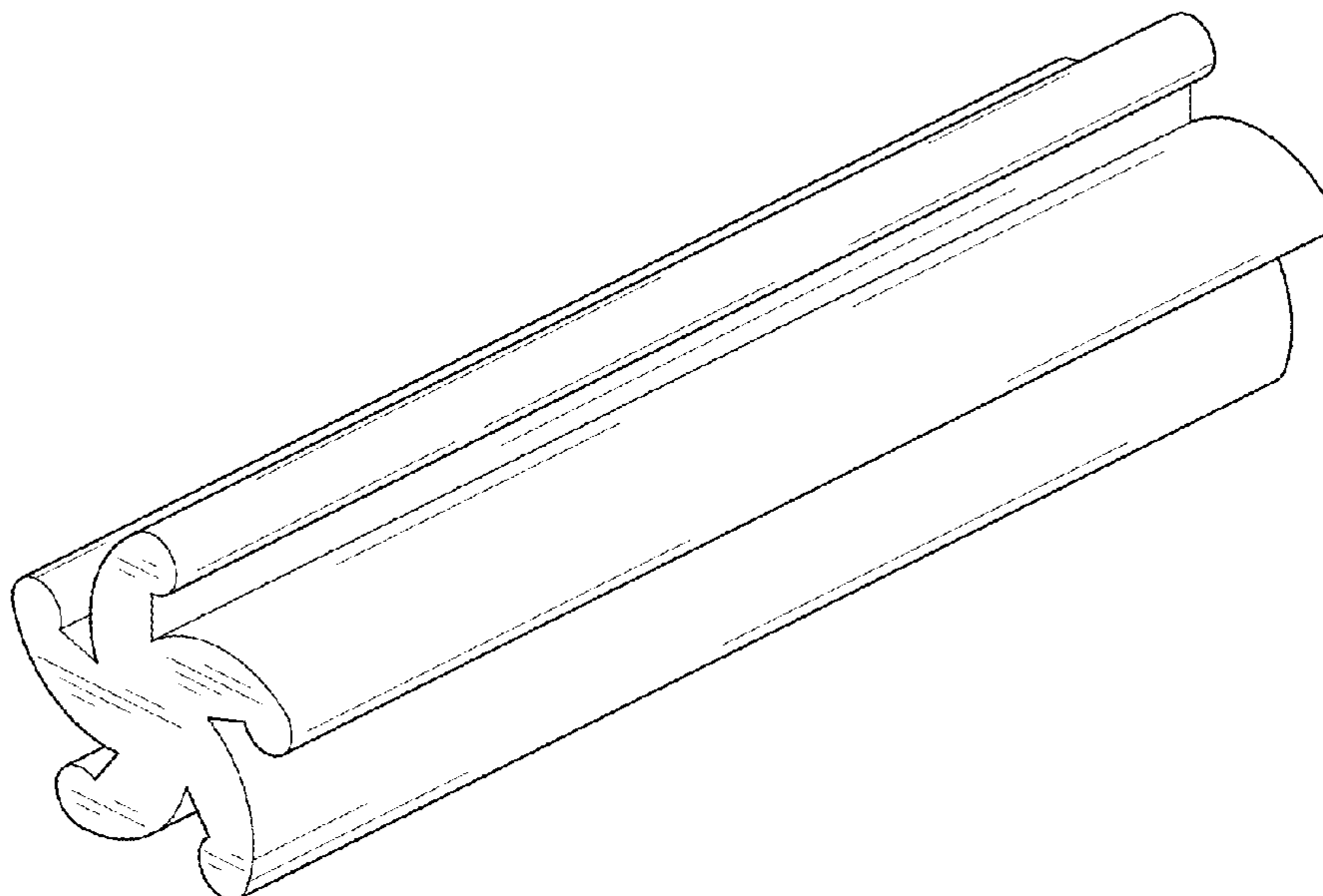
FIG. 1 is a front perspective view of a pet food piece according to the new design;
FIG. 2 is a rear perspective view thereof;
FIG. 3 is a front elevation view thereof;
FIG. 4 is a rear elevation view thereof;
FIG. 5 is a left elevation view thereof;
FIG. 6 is a right elevation view thereof;
FIG. 7 is a top plan view thereof; and,
FIG. 8 is a bottom plan view thereof.

1 Claim, 5 Drawing Sheets

(56) **References Cited**

U.S. PATENT DOCUMENTS

5,993,784	A	*	11/1999	Hill	A61K 8/25 424/49
6,086,373	A	*	7/2000	Schiff	A46D 1/00 15/167.1
D492,467	S	*	7/2004	Pittard	426/500
D507,691	S	*	7/2005	Leiweke	D1/121



(56)

References Cited

FOREIGN PATENT DOCUMENTS

CH	000304563-0001	1/2005
EM	000196167-0002	7/2004
EM	000196167-0003	7/2004
EM	000279468-0001	1/2005
EM	000308051-0001	2/2005
EM	000309604-0009	3/2005
EM	000309604-0010	3/2005
EM	000348255-0017	5/2005
EM	000373352-0002	7/2005
EM	001685181-0001	3/2010
EM	001779851-0002	11/2010
EM	01932468-0001	10/2011
EM	002183681-0002	2/2013
EM	002183681-0004	2/2013
EM	002460584-0001	5/2014
EM	002513580-0001	8/2014
GB	3000501	1/2002
NL	35235-0001	1/2003
NL	35235-0003	1/2003
RU	59772	2/2005
RU	76208	11/2009

* cited by examiner

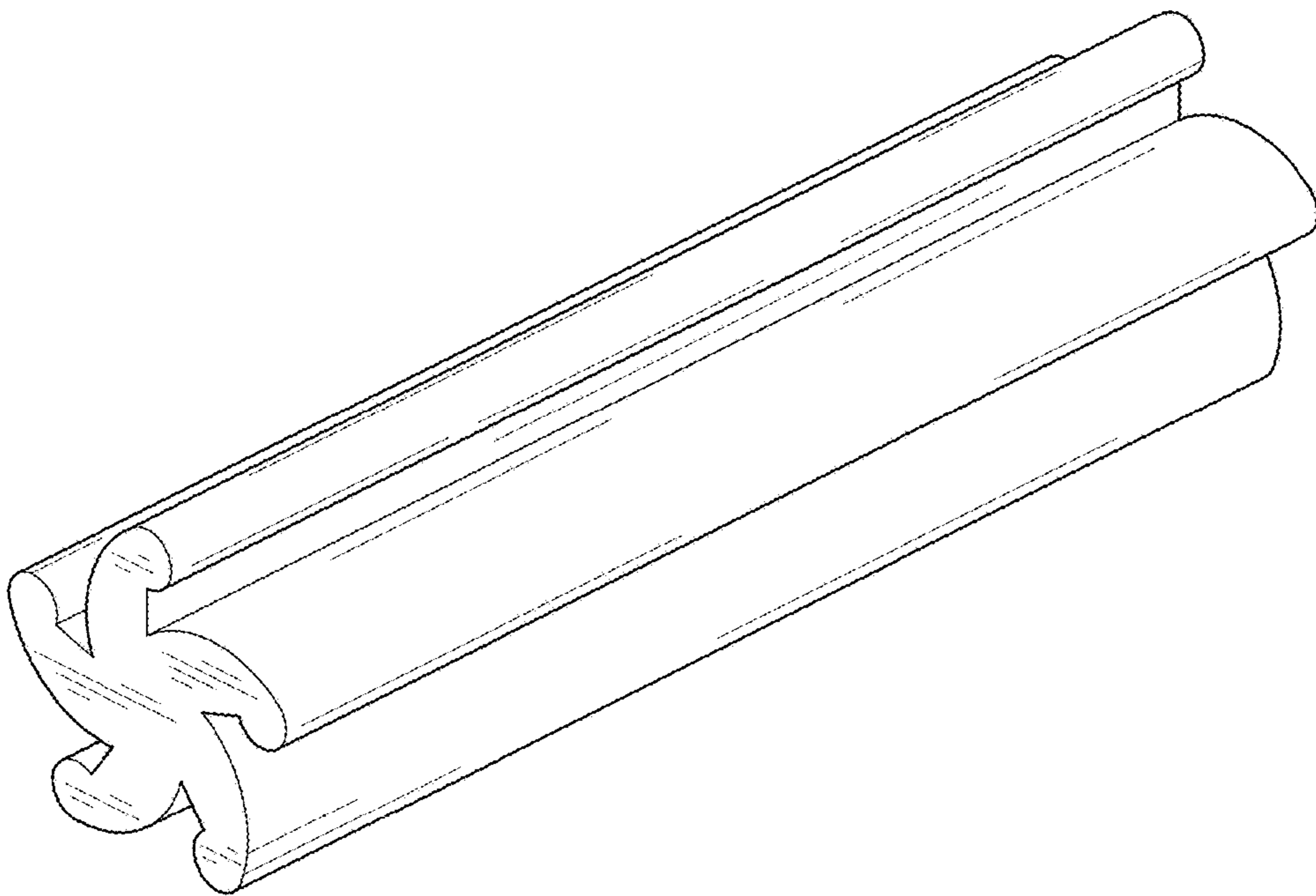


FIG. 1

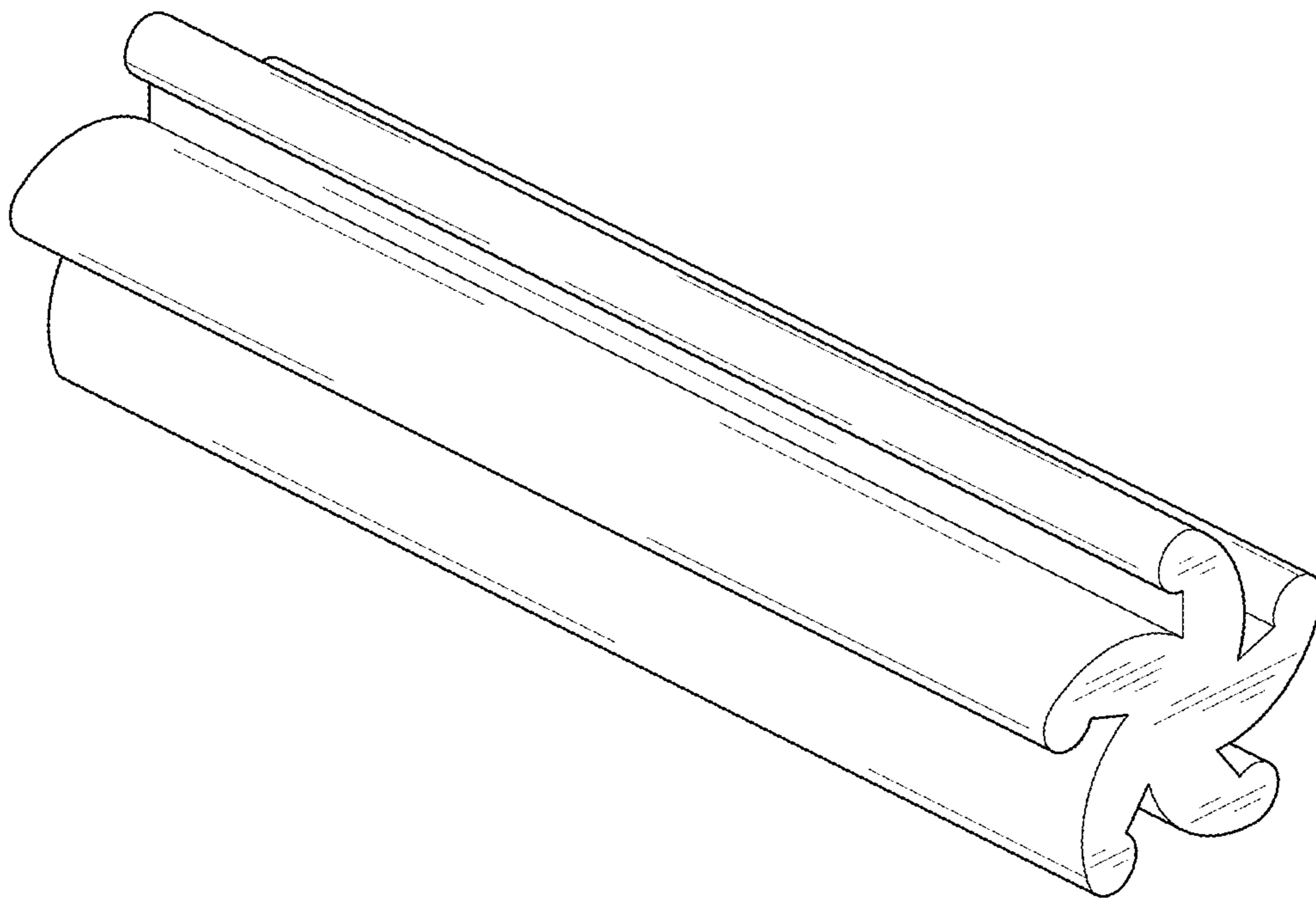


FIG. 2

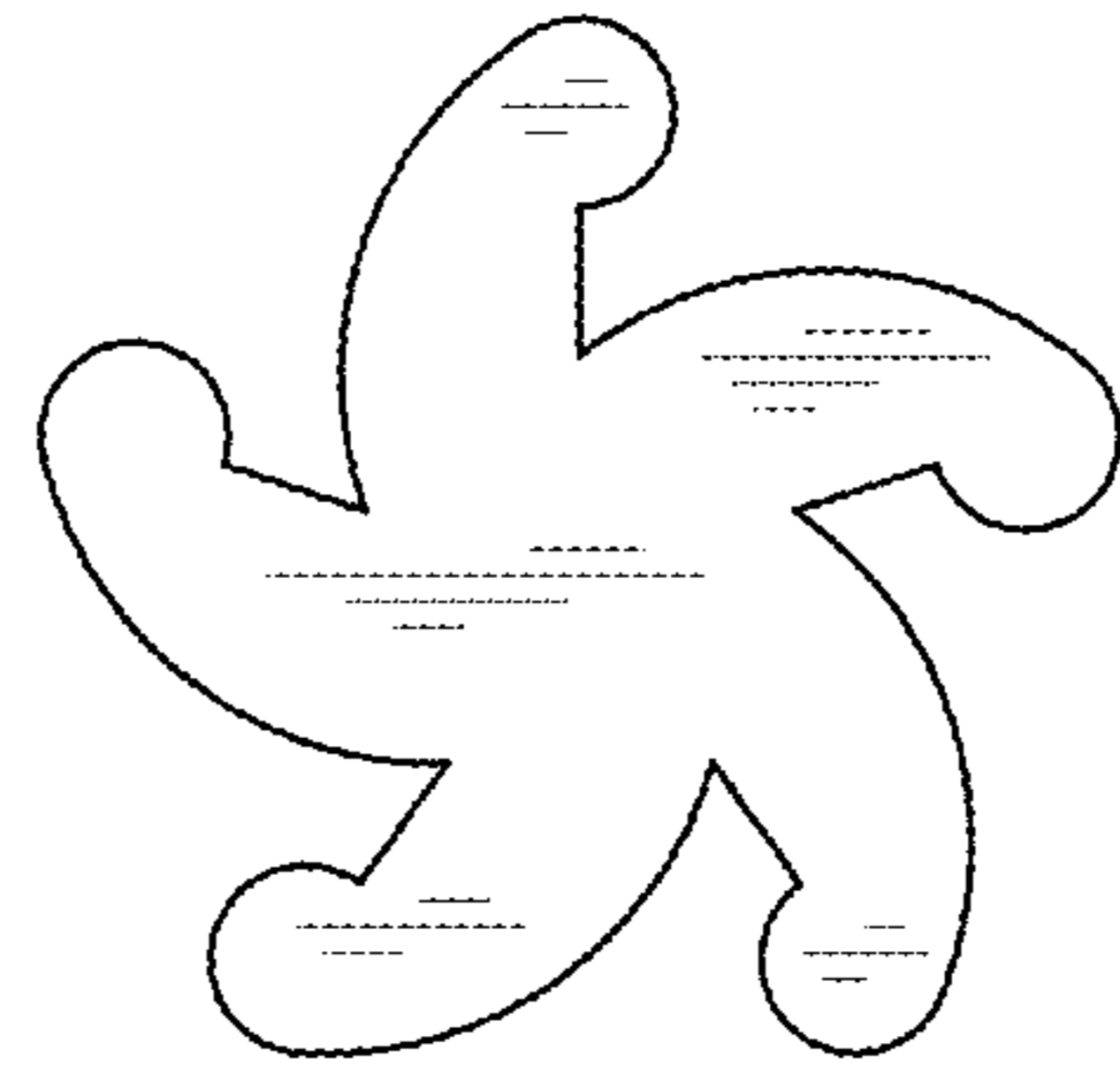


FIG. 3

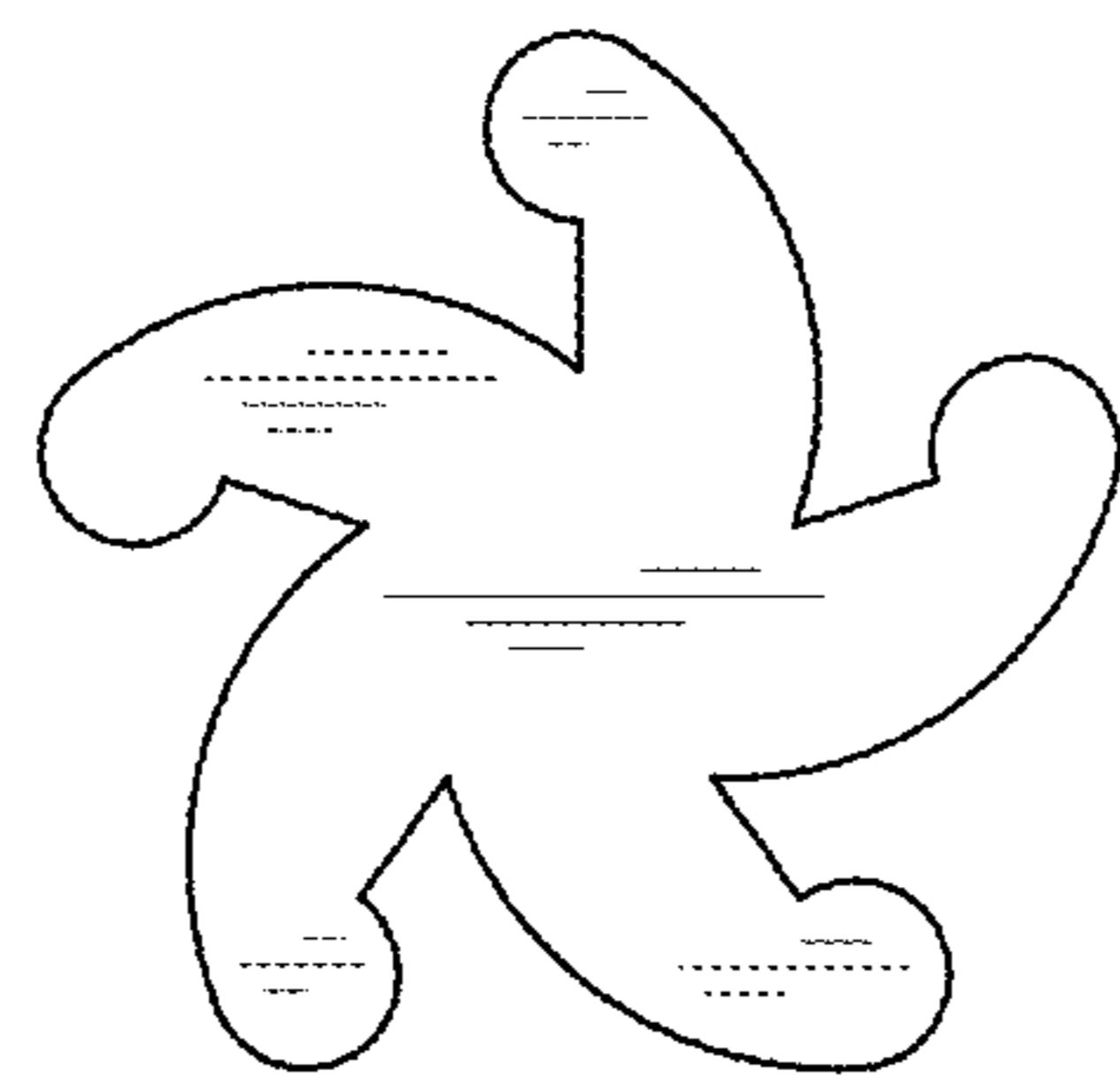


FIG. 4

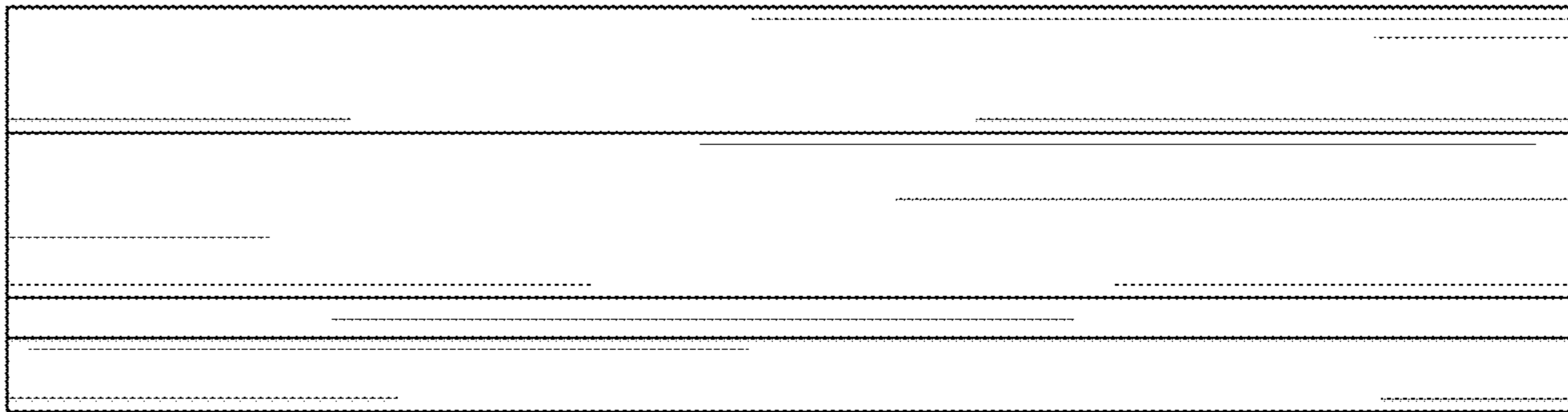


FIG. 5

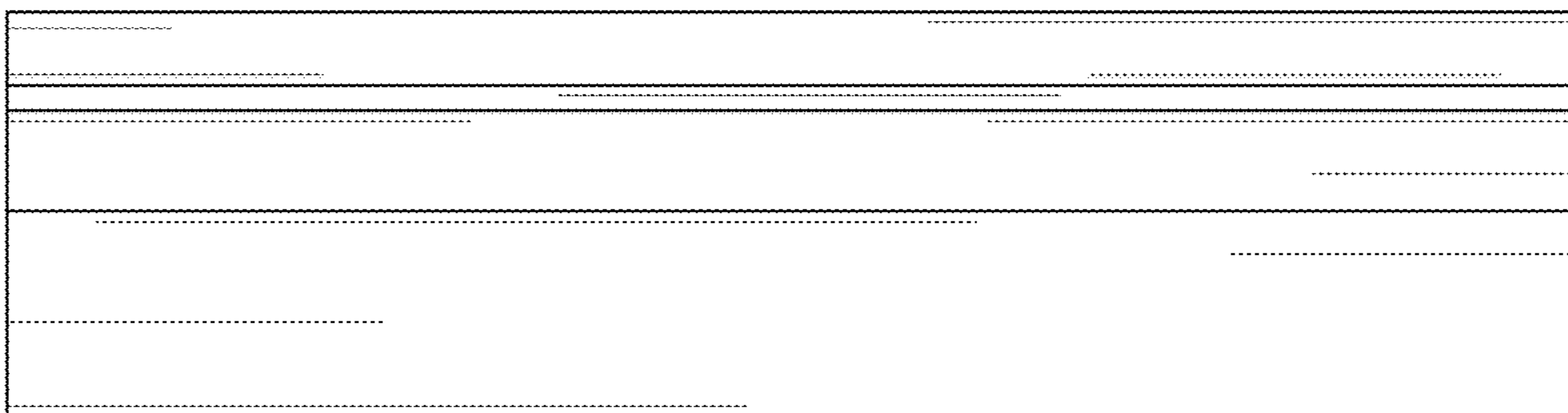


FIG. 6

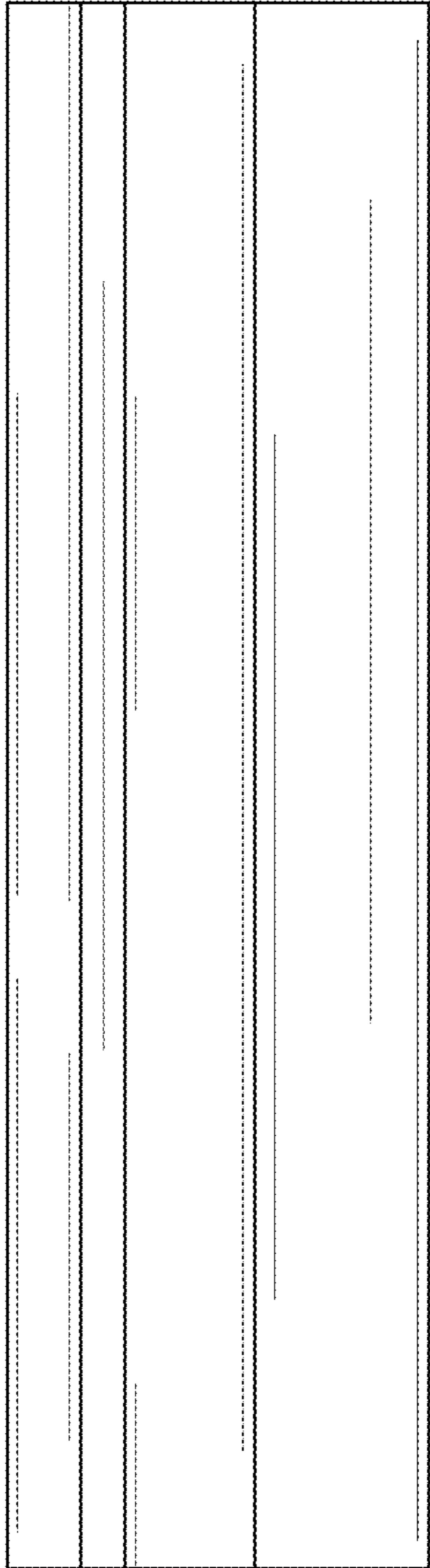


FIG. 7

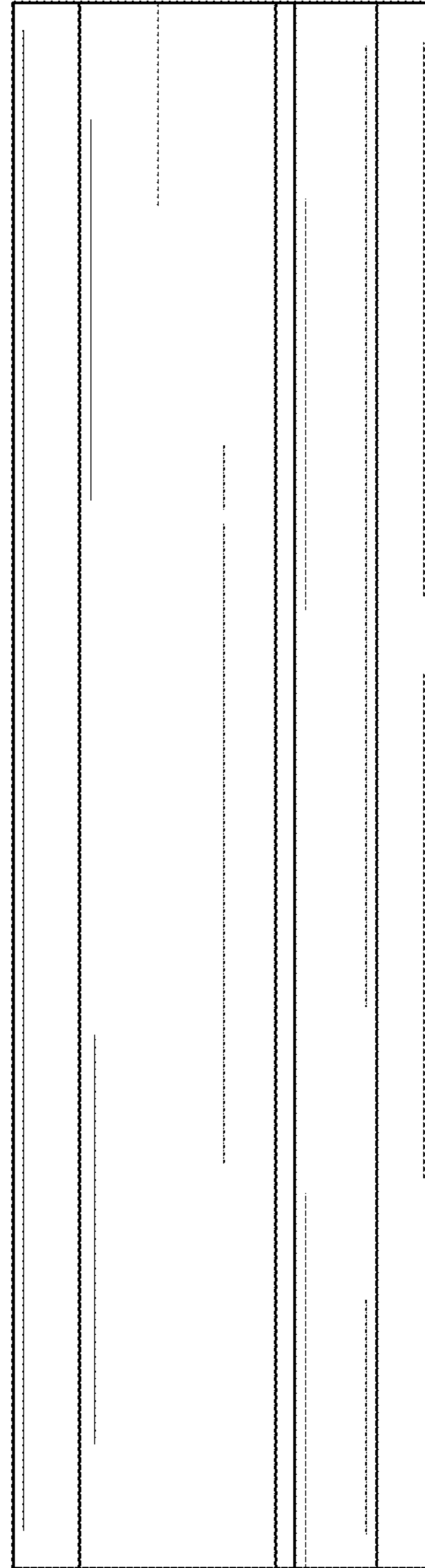


FIG. 8