



US00D781021S

(12) **United States Design Patent** (10) **Patent No.:** **US D781,021 S**
Parker (45) **Date of Patent:** **** Mar. 7, 2017**

(54) **FOLDING CART**

(71) Applicant: **Eric G. Parker**, Naples, FL (US)

(72) Inventor: **Eric G. Parker**, Naples, FL (US)

(**) Term: **15 Years**

(21) Appl. No.: **29/542,497**

(22) Filed: **Oct. 14, 2015**

(51) **LOC (10) Cl.** **12-02**

(52) **U.S. Cl.**
USPC **D34/24**

(58) **Field of Classification Search**
USPC D34/12-27; 280/62, 47.24, 47.131,
280/47.29, 47.18, 47.14, 47.27, 652, 651,
280/79.11, 79.15
CPC B62B 1/262; B62B 1/264; B62B 1/14;
B62B 1/12; B62B 1/10; B62B
1/1415; B62B 2202/406; B62B 67/1233
See application file for complete search history.

(56) **References Cited**

U.S. PATENT DOCUMENTS

3,087,740	A *	4/1963	Mitty	B62B 1/12 206/45.29
D311,083	S *	10/1990	Dutro	D34/24
D449,144	S *	10/2001	Measom	D34/24
D531,376	S *	10/2006	Tetradis	D34/24
D707,010	S *	6/2014	Ficociello	D34/27
D733,387	S *	6/2015	Sopuch	D34/26
D746,530	S *	12/2015	Marchant	D34/26
2012/0074665	A1 *	3/2012	Salvucci, Jr.	B62B 3/104 280/47.24

* cited by examiner

Primary Examiner — Cynthia Ramirez

(74) *Attorney, Agent, or Firm* — Cook Alex Ltd.; R. Blake Johnston

(57) **CLAIM**

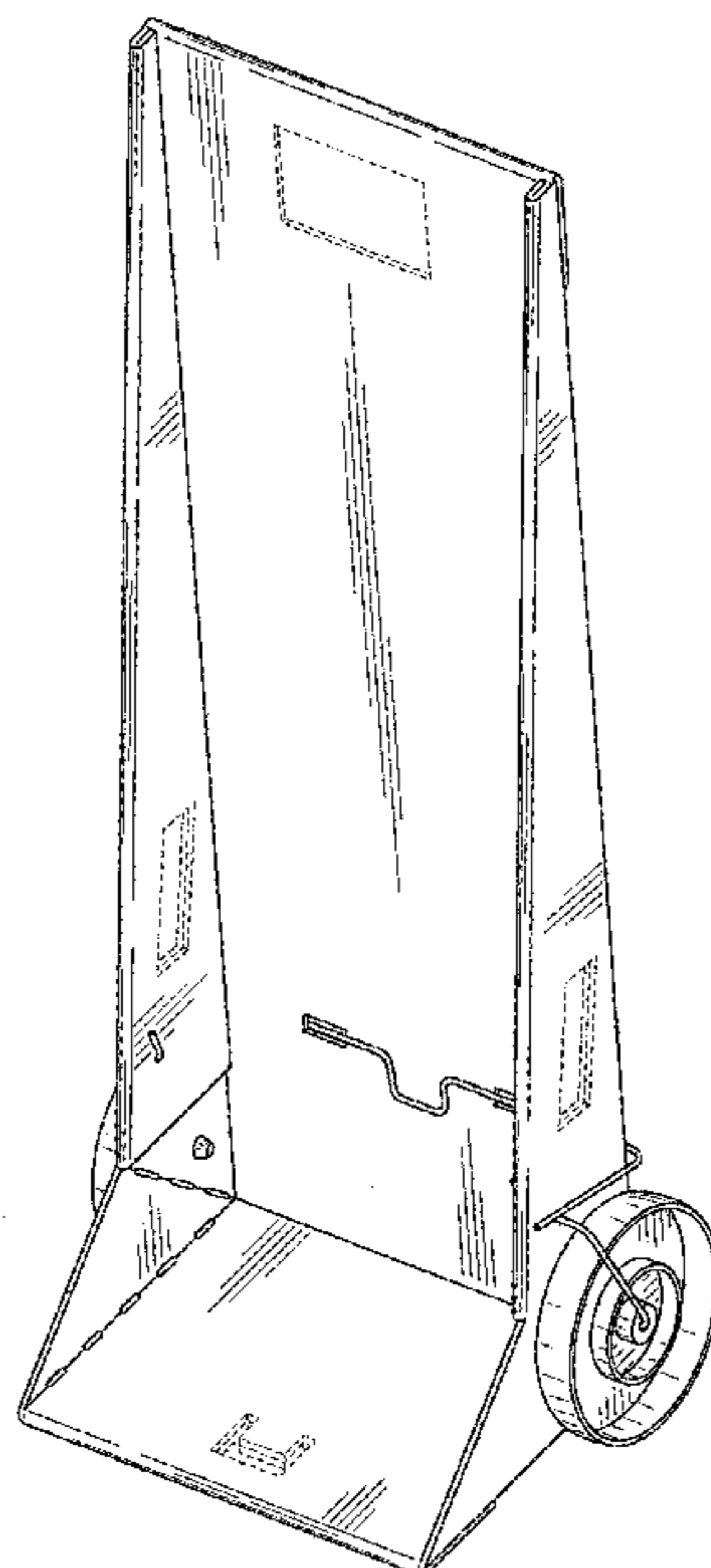
The ornamental design for a folding cart, as shown and described.

DESCRIPTION

FIG. 1 is a perspective view of the front and left side of a first embodiment of the folding cart;
 FIG. 2 is a front elevational view thereof;
 FIG. 3 is a rear elevational view thereof;
 FIG. 4 is a left side elevational view thereof; the opposite side of which is a mirror image;
 FIG. 5 is a top plan view thereof;
 FIG. 6 is a bottom plan view thereof;
 FIG. 7 is a perspective view of the front and left side of the first embodiment of the folding cart in a folded and generally flat configuration;
 FIG. 8 is a rear elevational view thereof;
 FIG. 9 is a perspective view of the front and left side of a second embodiment of the folding cart, the sole differences being the addition of an upper wire latching bracket and an upper fold line;
 FIG. 10 is a front perspective view thereof;
 FIG. 11 is a rear elevational view thereof;
 FIG. 12 is a left side elevational view thereof, the opposite side of which is a mirror image;
 FIG. 13 is a top plan view thereof;
 FIG. 14 is a bottom plan view thereof;
 FIG. 15 is a perspective view of the front and left side of the second embodiment of the folding cart in a folded and generally flat configuration; and,
 FIG. 16 is a rear elevational view thereof.

The broken lines shown in the figures are included for the purpose of illustrating portions of the folding cart and forms no part of the claimed design.

1 Claim, 14 Drawing Sheets



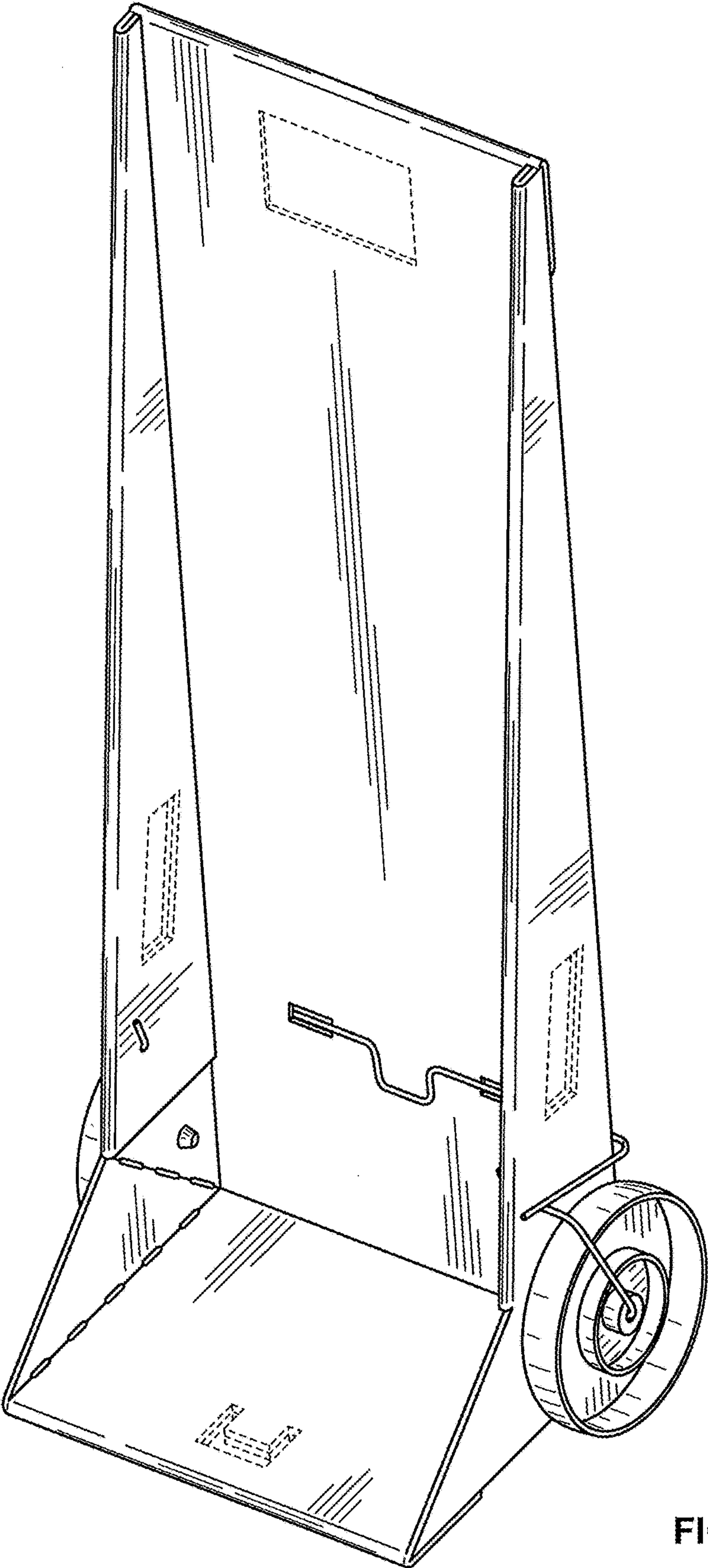


FIG. 1

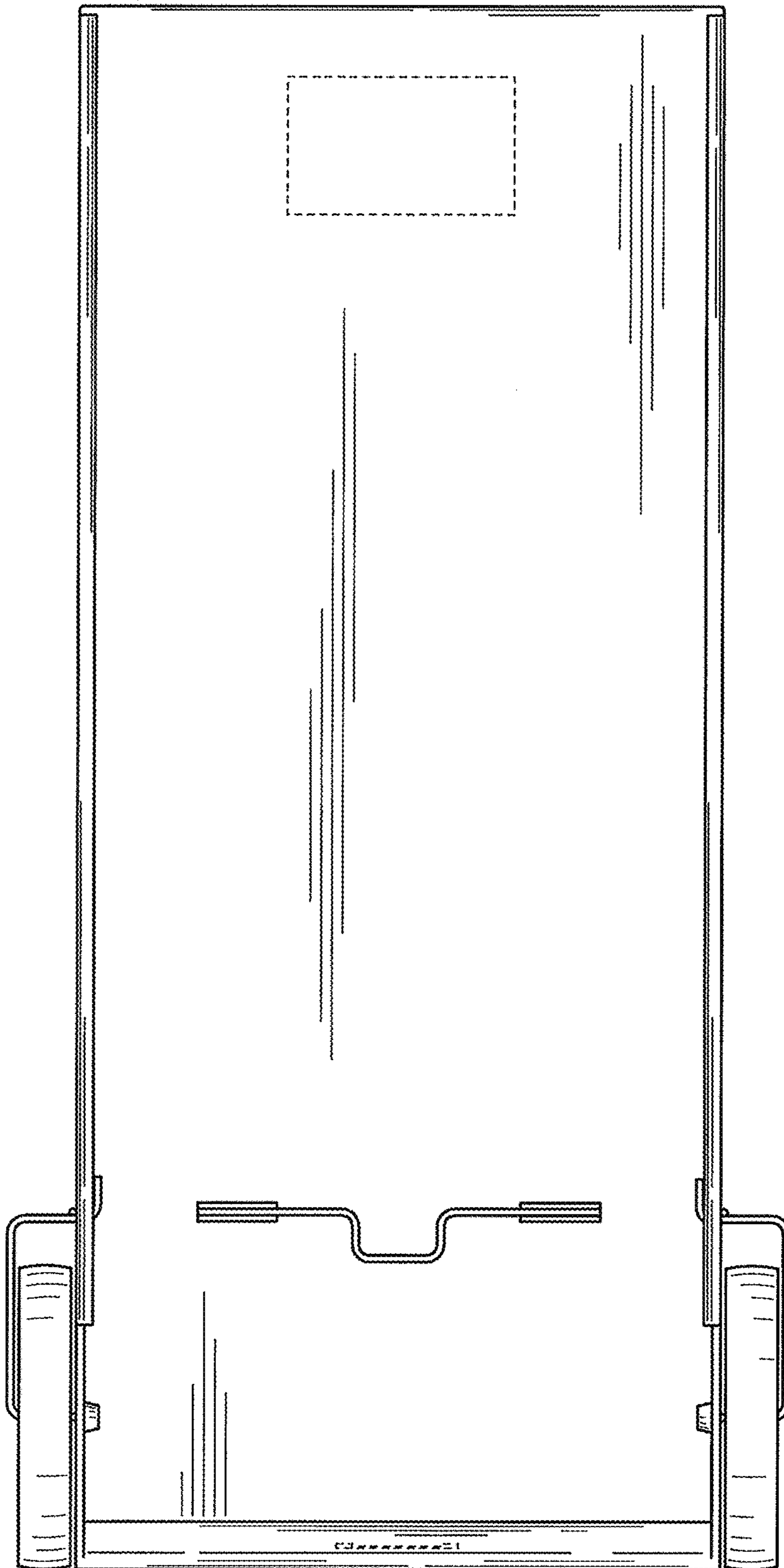


FIG. 2

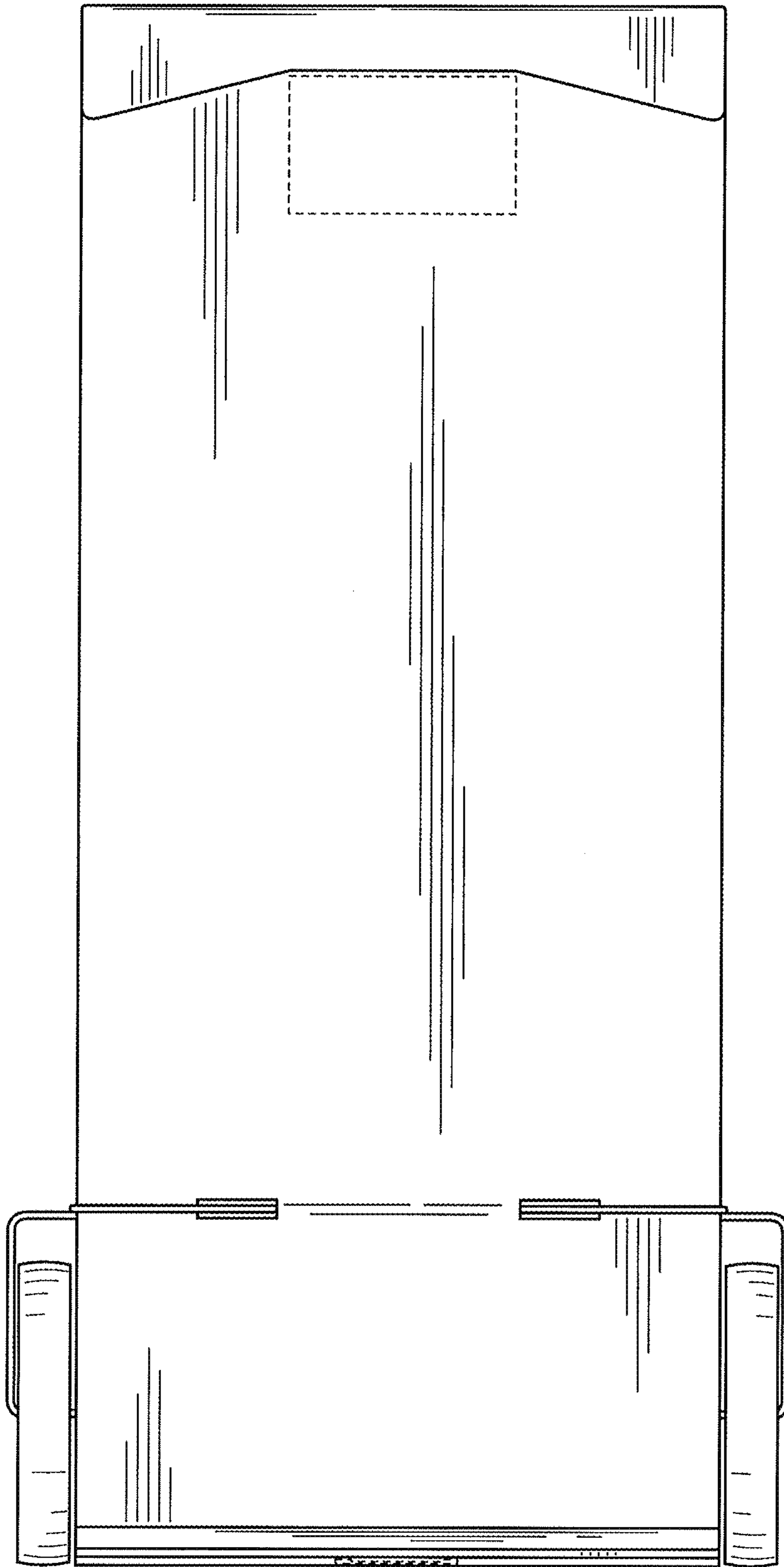


FIG. 3

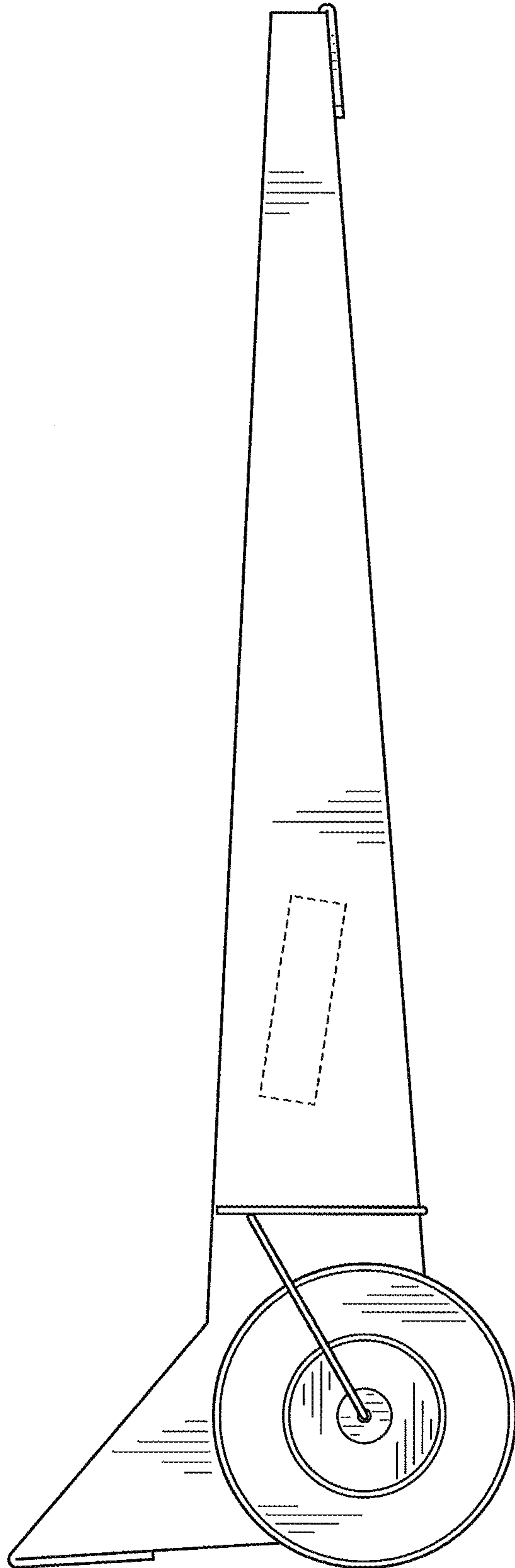


FIG. 4

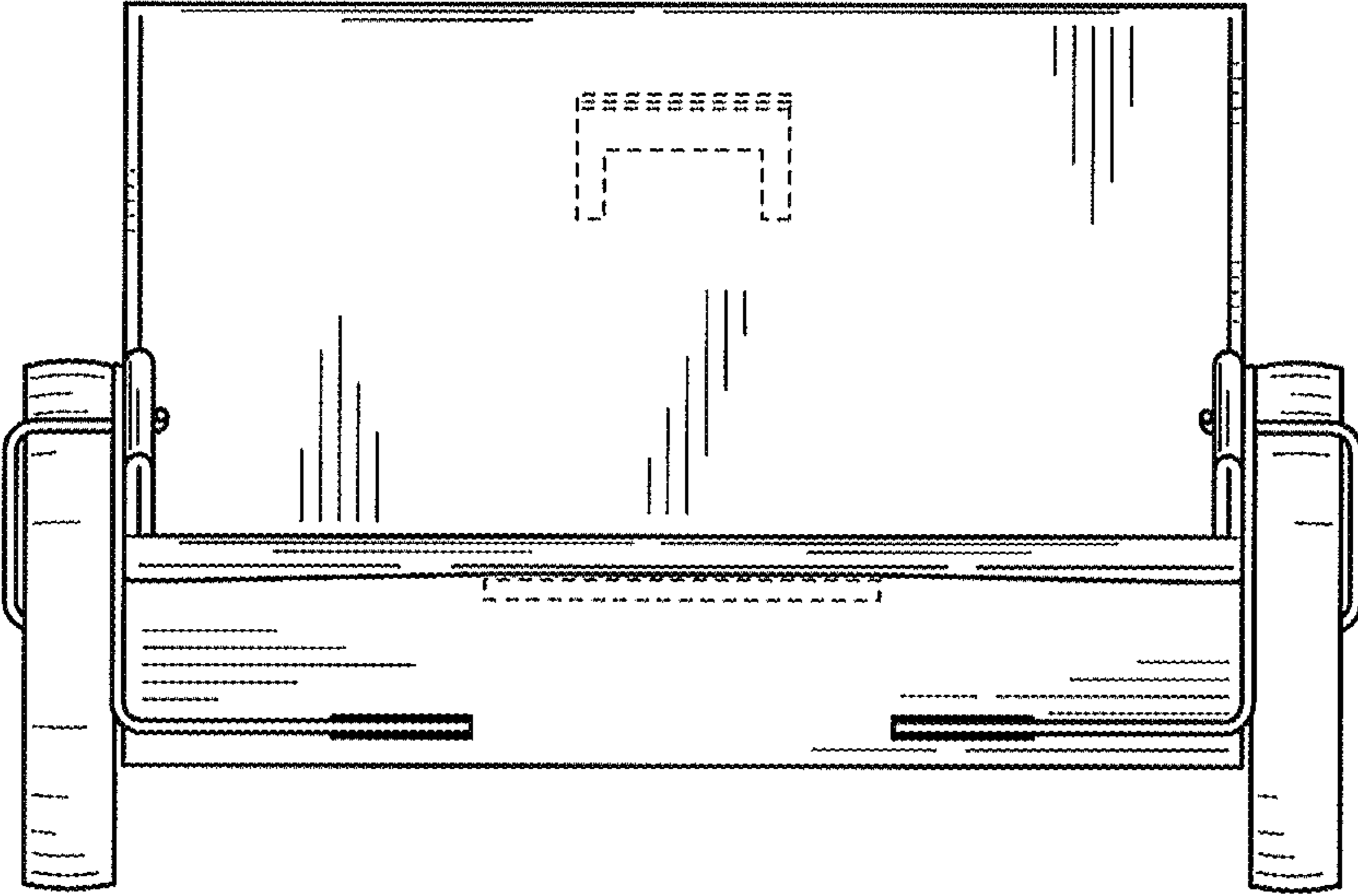


FIG. 5

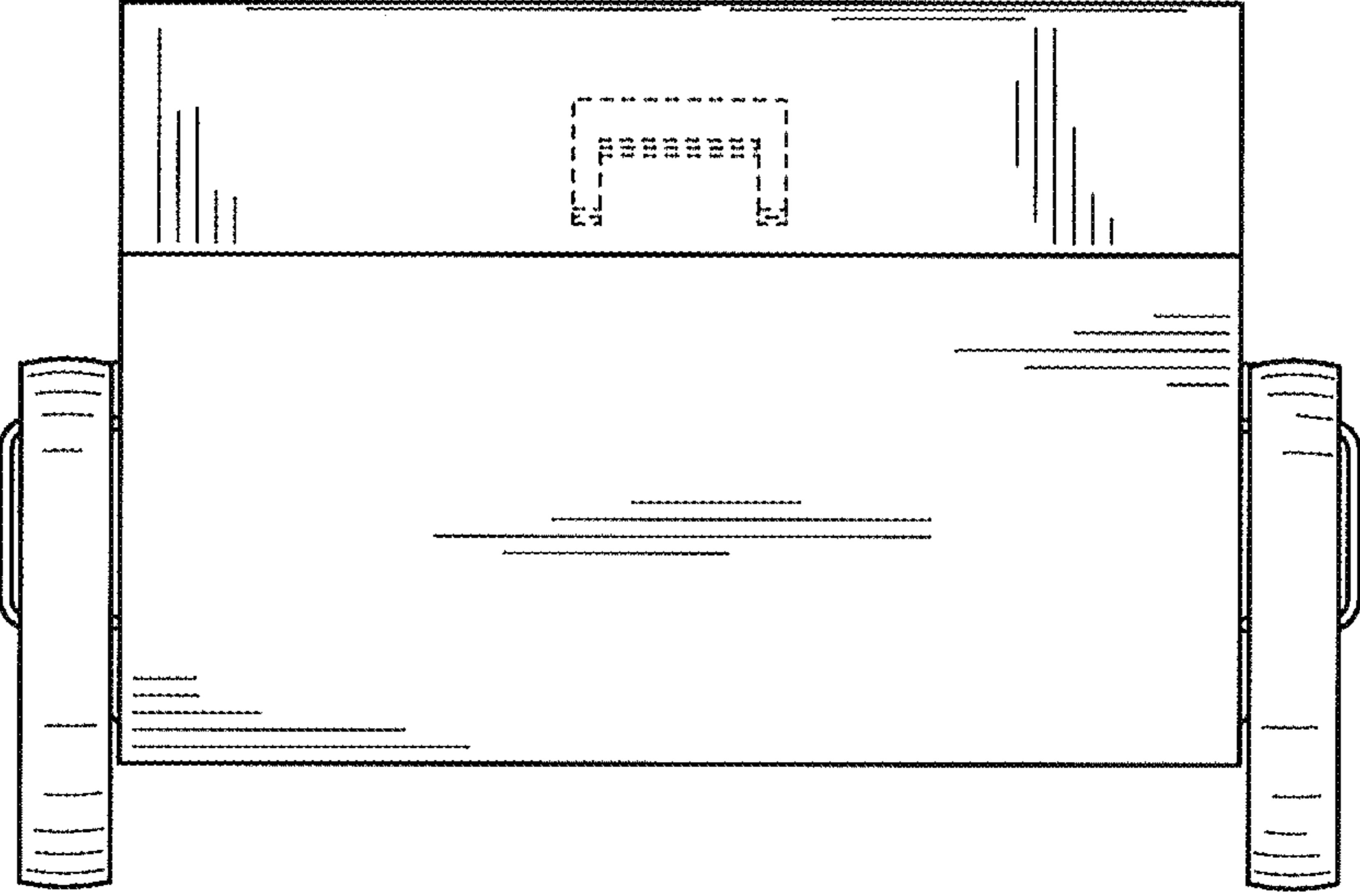


FIG. 6

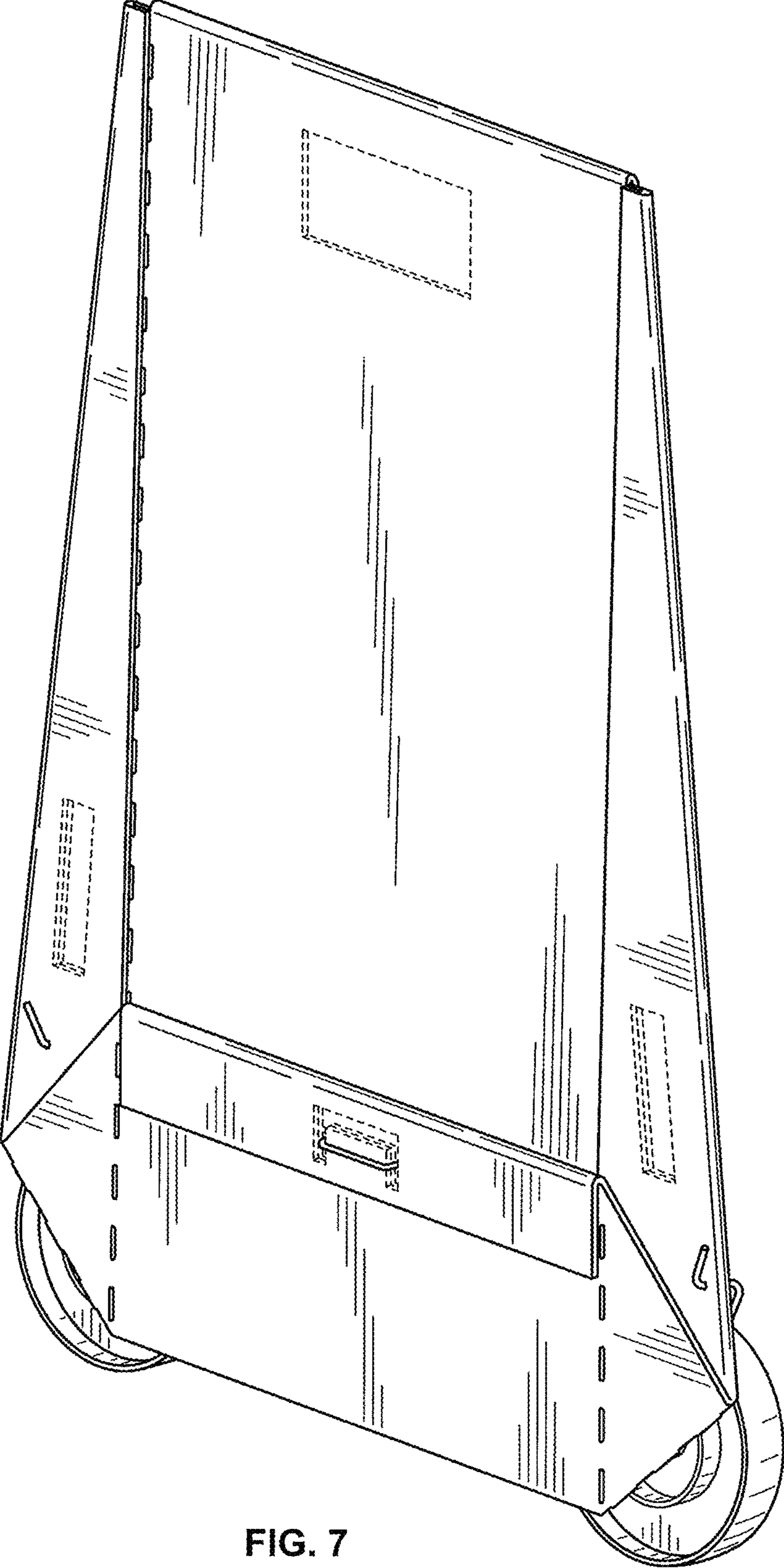


FIG. 7

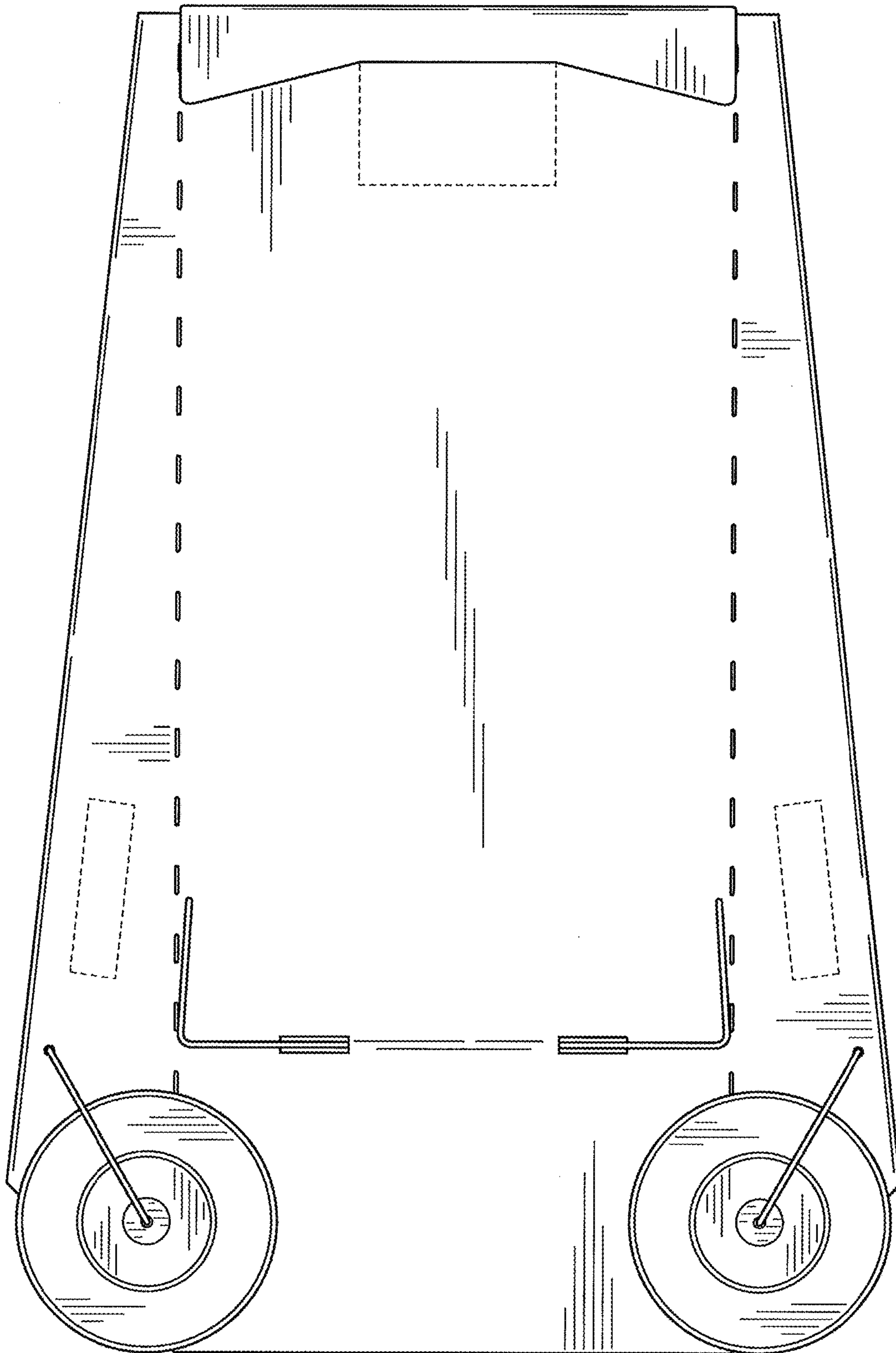


FIG. 8

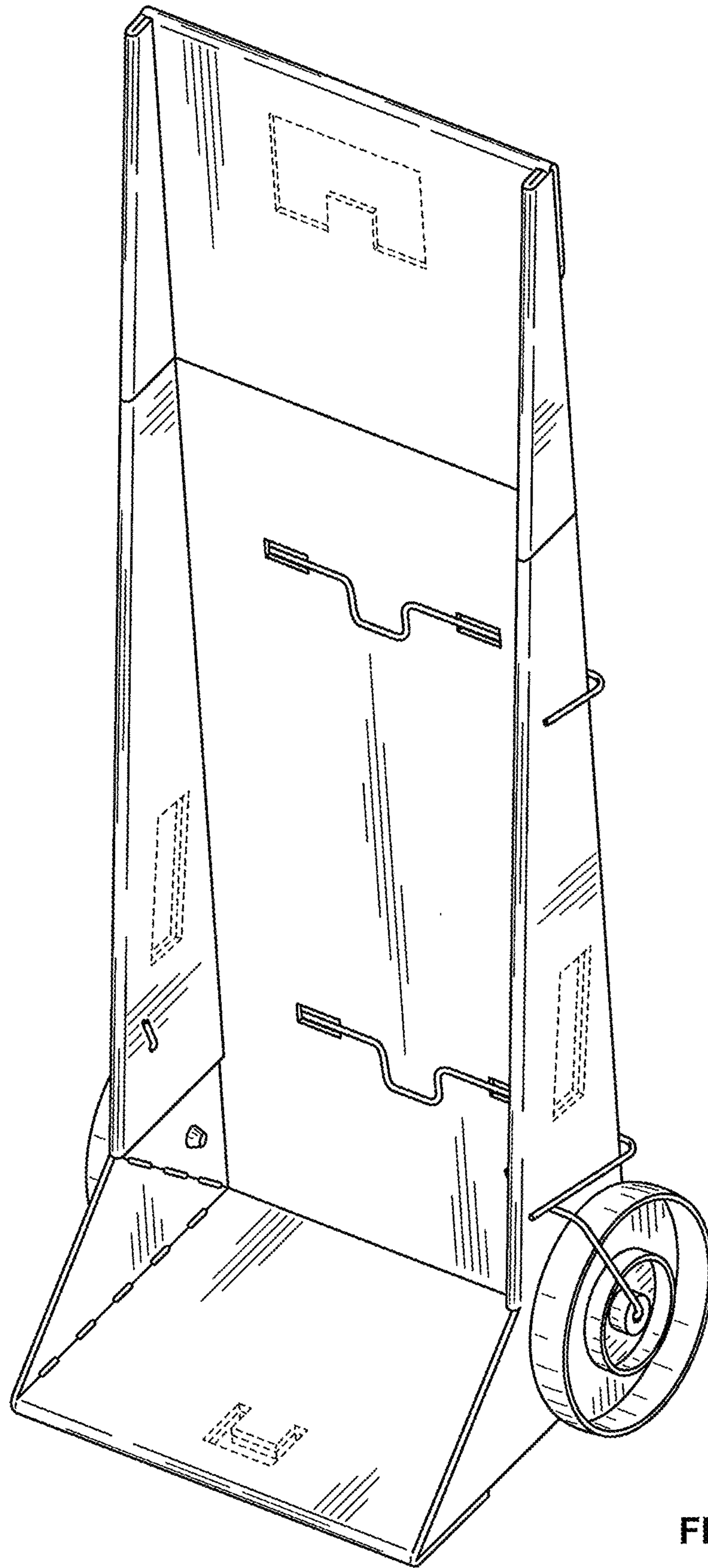


FIG. 9

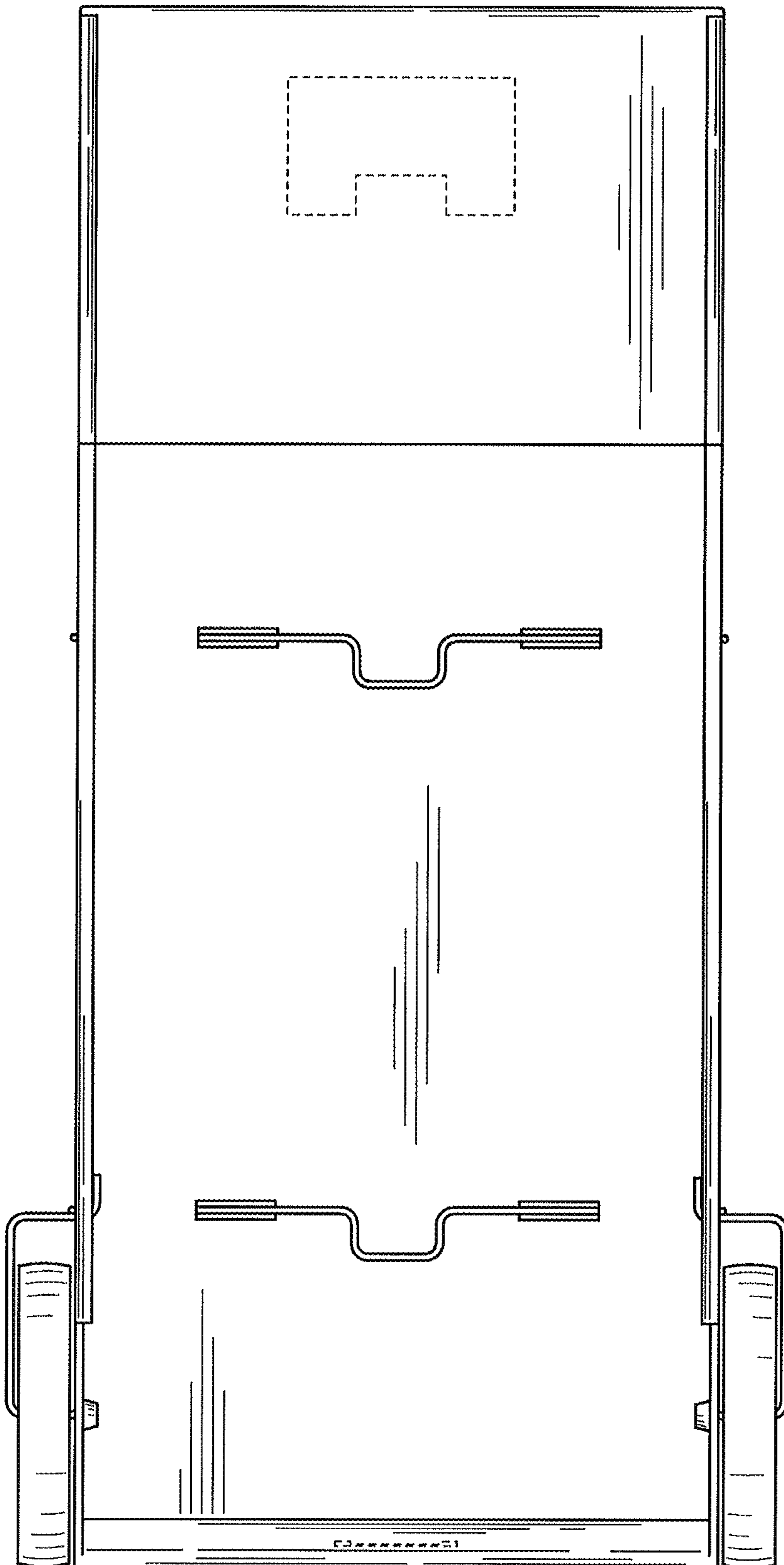


FIG. 10

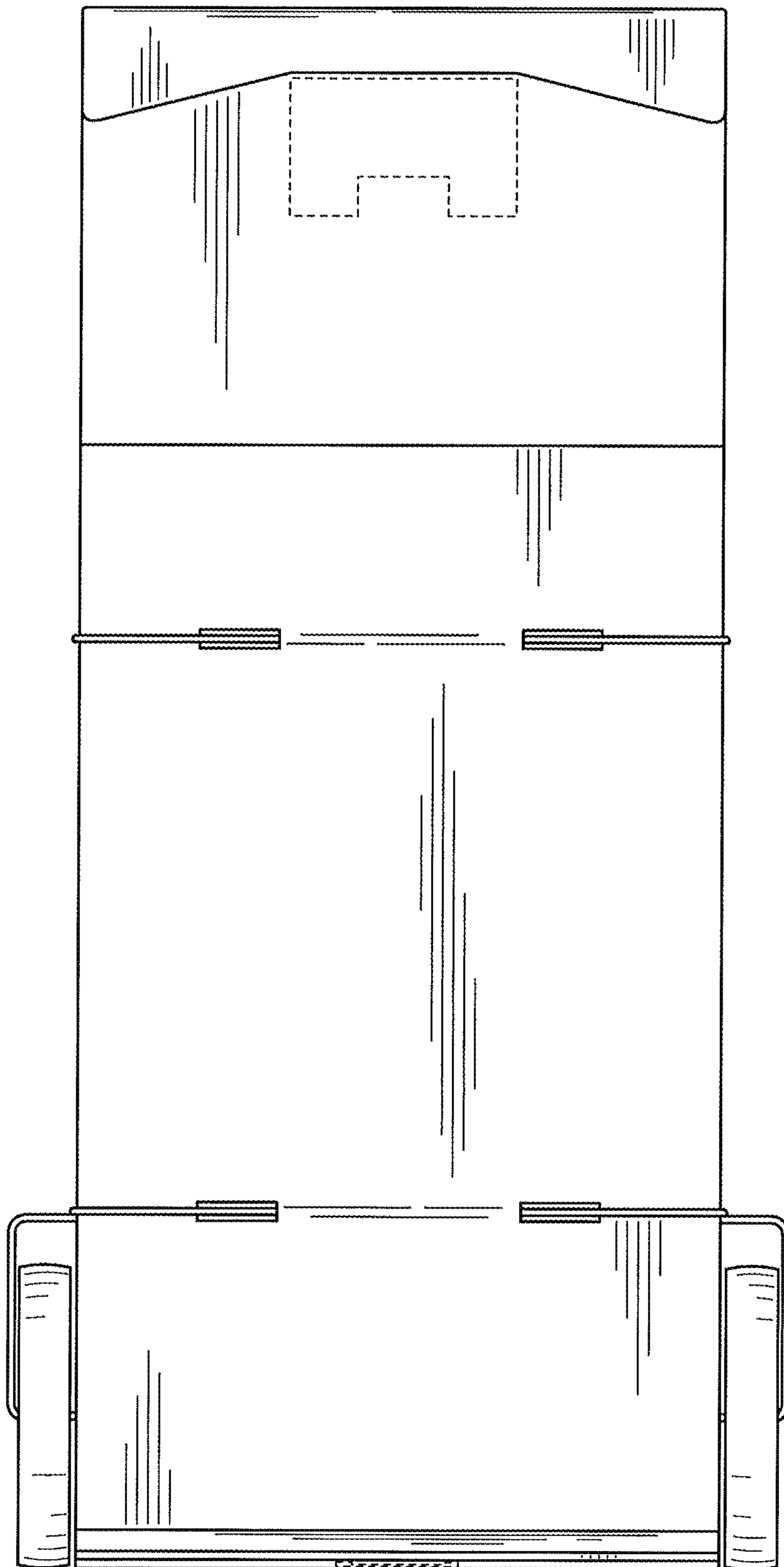


FIG. 11

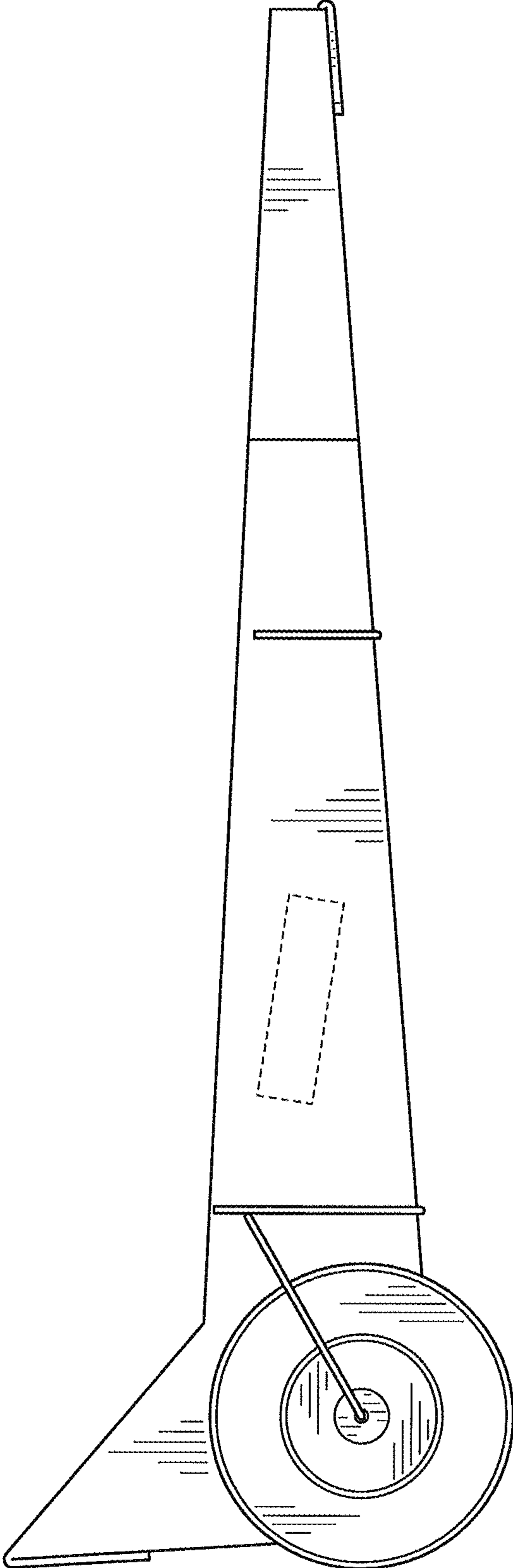


FIG. 12

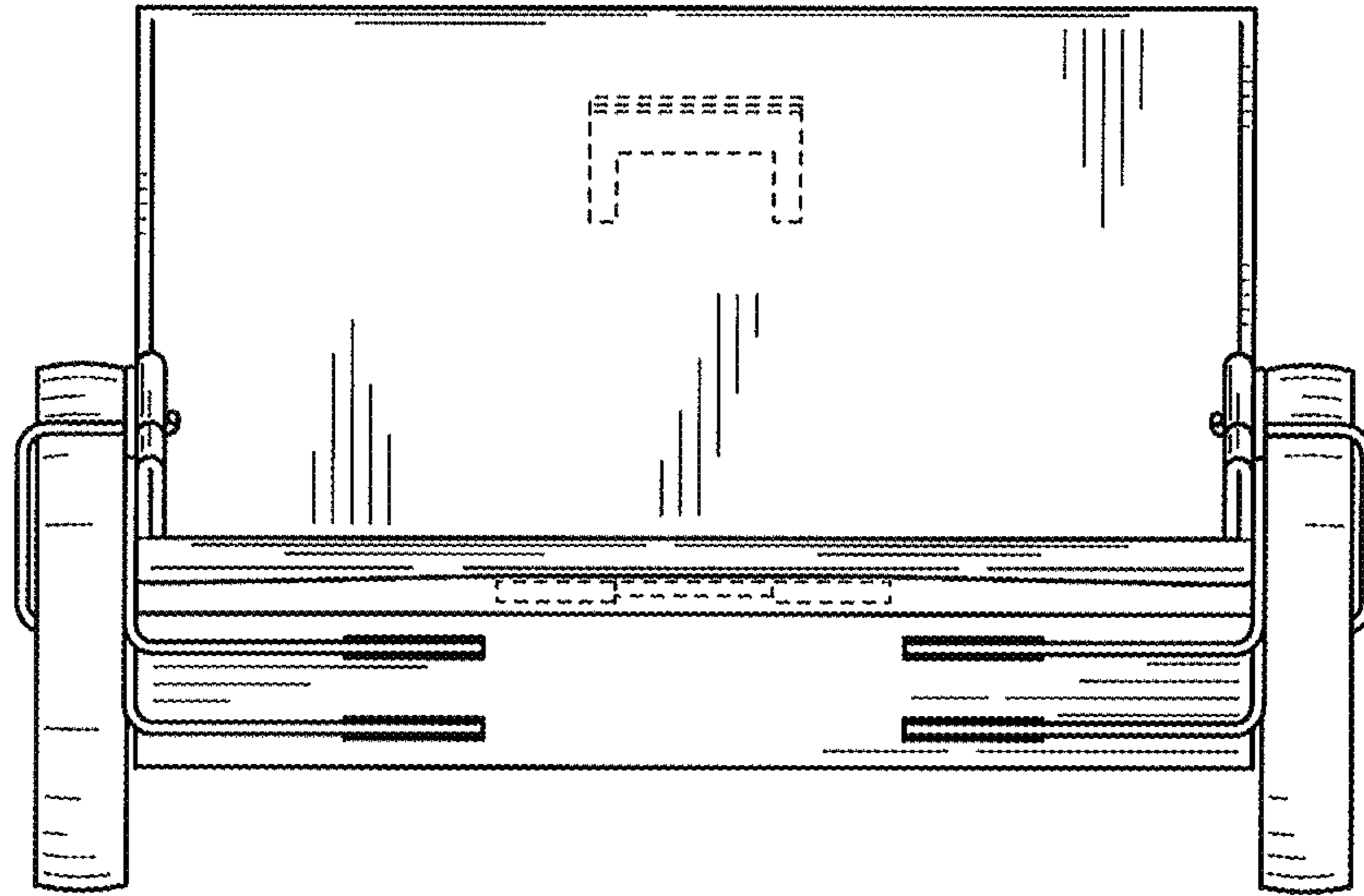


FIG. 13

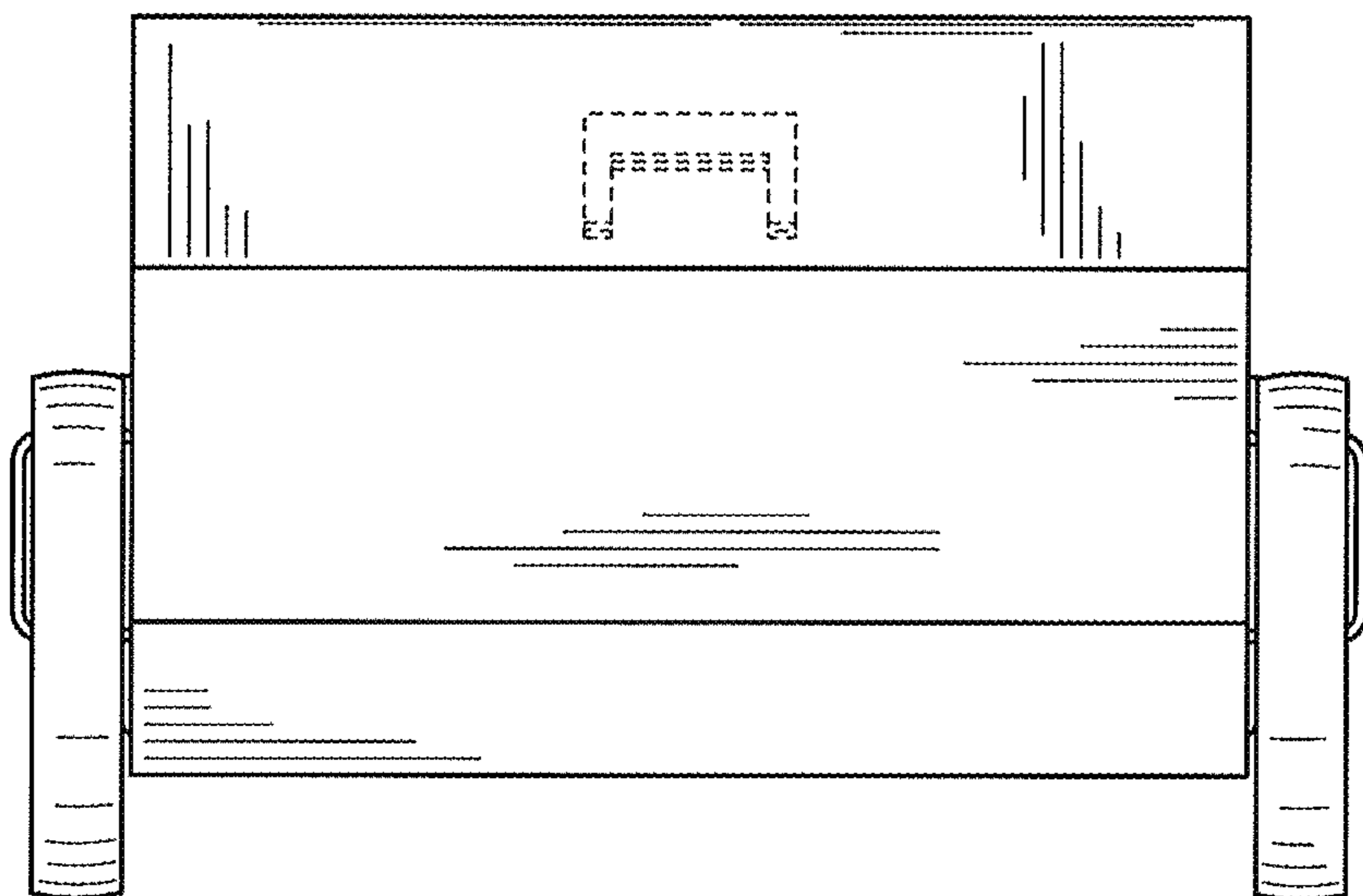


FIG. 14

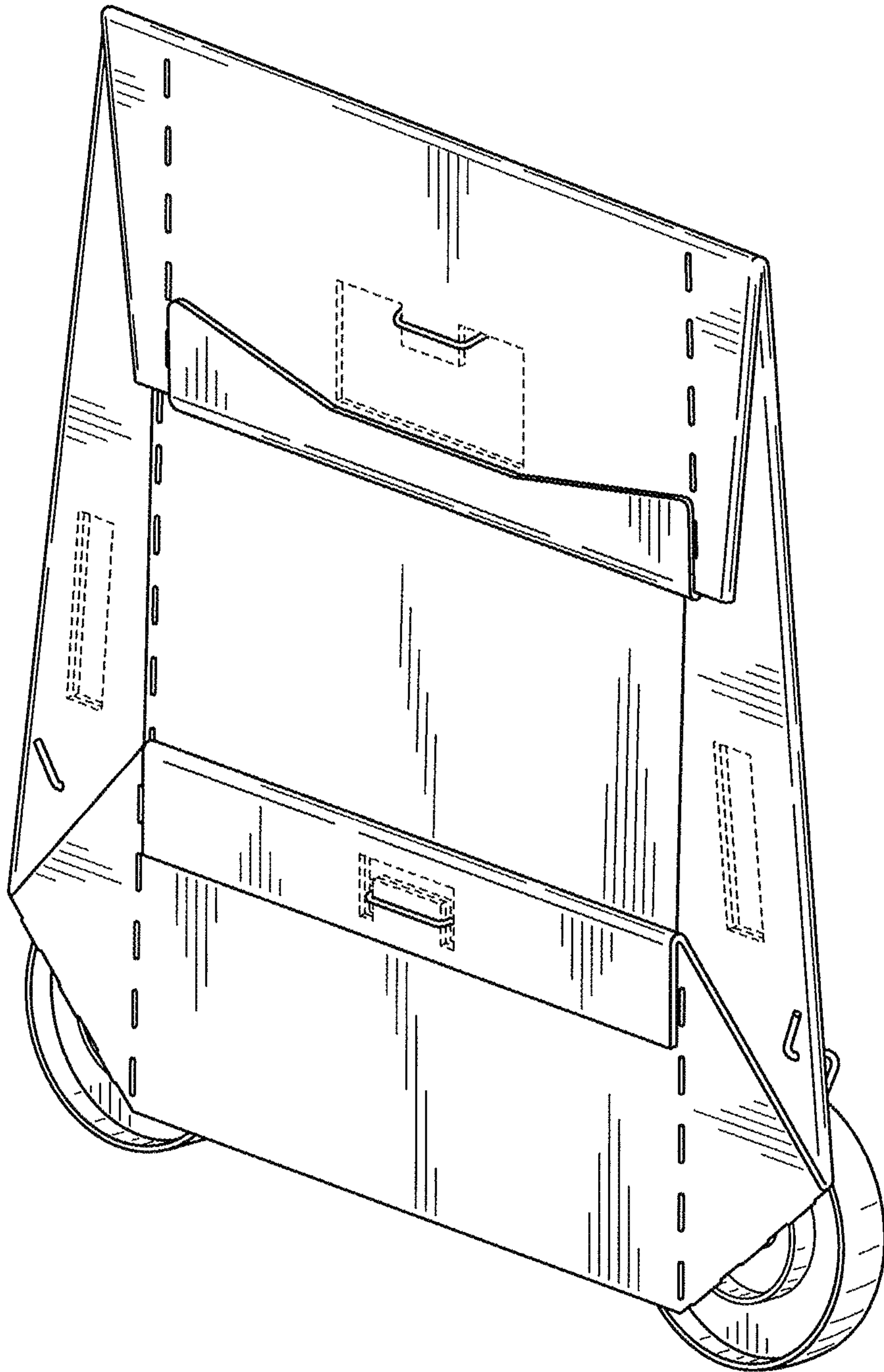


FIG. 15

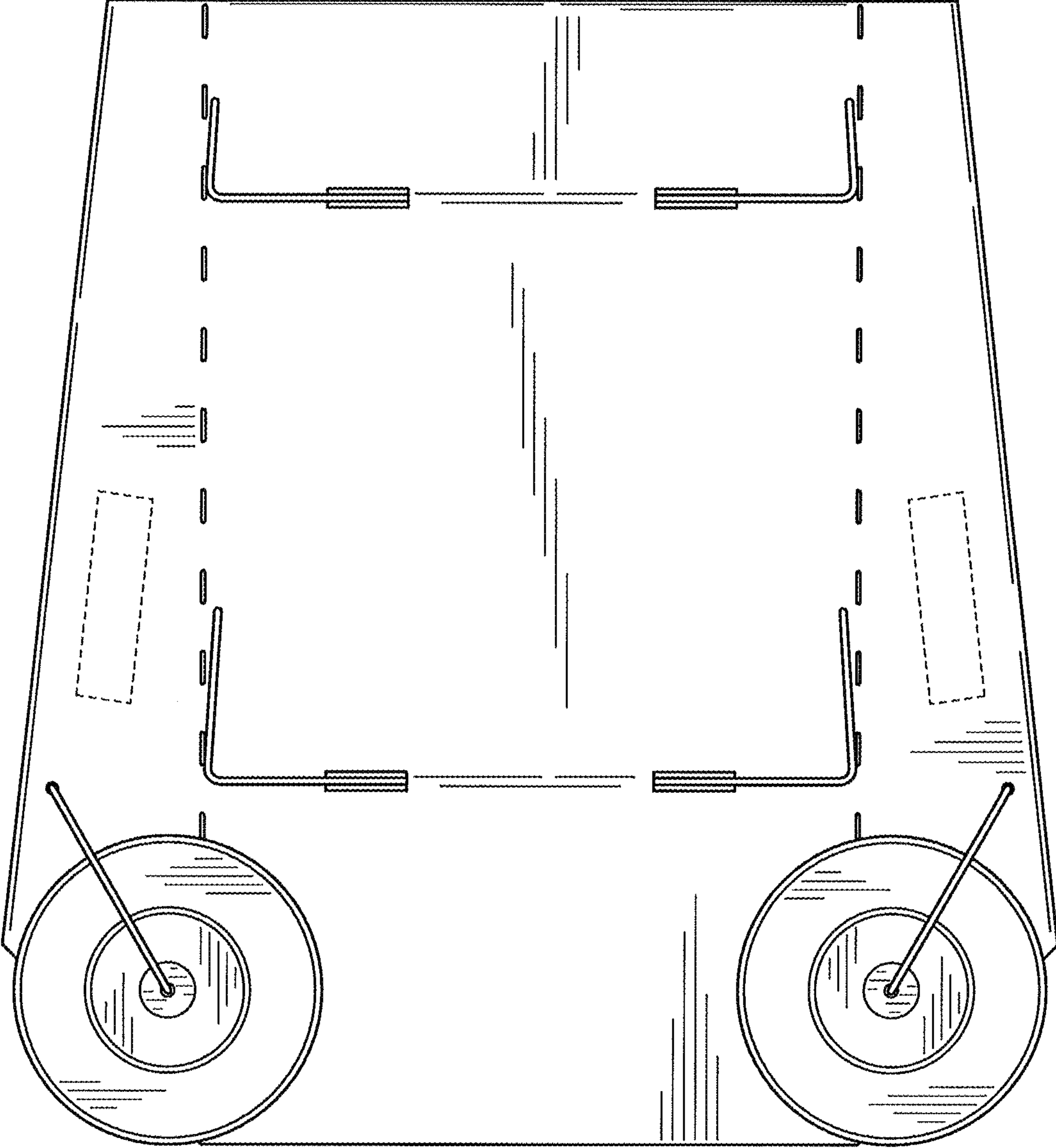


FIG. 16