



US00D781020S

(12) **United States Design Patent**  
**Wyse et al.**

(10) **Patent No.:** **US D781,020 S**  
(45) **Date of Patent:** **\*\* Mar. 7, 2017**

(54) **POWERED WHEELBARROW WITH PLATFORM**

(71) Applicant: **Granite Industries, Inc.**, Archbold, OH (US)

(72) Inventors: **Steven J. Wyse**, Archbold, OH (US);  
**Brent A. Johnston**, West Unity, OH (US)

(73) Assignee: **Granite Industries, Inc.**, Archbold, OH (US)

(\*\*) Term: **15 Years**

(21) Appl. No.: **29/556,367**

(22) Filed: **Feb. 29, 2016**

**Related U.S. Application Data**

(63) Continuation of application No. 29/510,181, filed on Nov. 25, 2014, now Pat. No. Des. 752,308.

(51) **LOC (10) Cl.** ..... **12-02**

(52) **U.S. Cl.**  
USPC ..... **D34/16**

(58) **Field of Classification Search**

USPC ..... D34/12-27; 280/651, 47.34, 47.24, 280/47.26, 47.17, 654, 79.3, 653, 659, 280/47.31, 47.131, 47.15, 47.12, 47.33, 280/17, 41, 47.32, 18, 47.27, 62; 298/2, 298/1 C, 17.5; 180/79.1, 212, 54.2, 65.6, 180/65.1, 208, 19.3, 214, 907, 908, 216  
CPC ..... B62B 1/12; B62B 1/18; B62B 1/24; B62B 2203/70; B62B 3/02; B62B 5/0438; B62B 5/0026; B62B 5/0033

See application file for complete search history.

(56) **References Cited**

U.S. PATENT DOCUMENTS

D261,125 S *	10/1981	Gordon	.....	D34/24
4,353,596 A *	10/1982	Gibson	.....	B62B 1/12
				206/223
4,589,508 A *	5/1986	Hoover	.....	B62B 1/24
				180/13
6,129,166 A *	10/2000	Sueshige	.....	B62B 5/0026
				180/65.6
D487,325 S *	3/2004	Nelsen	.....	D34/16
D527,157 S *	8/2006	Boon	.....	D34/16
D535,451 S *	1/2007	Lim	.....	D34/16
D535,802 S *	1/2007	Wittkowski	.....	D34/12

(Continued)

*Primary Examiner* — Cynthia Ramirez

(74) *Attorney, Agent, or Firm* — Hovey Williams LLP

(57) **CLAIM**

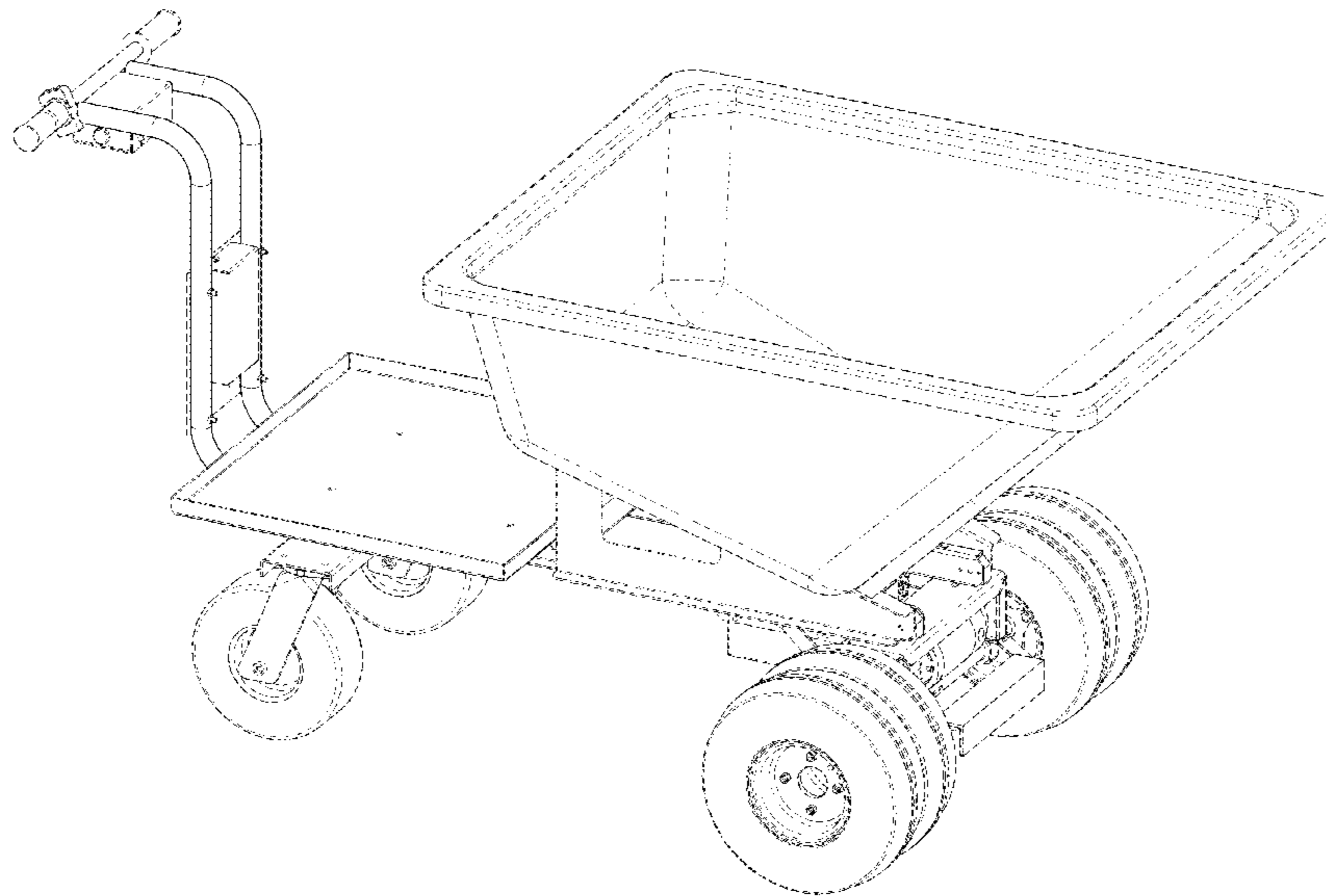
The ornamental design for a powered wheelbarrow with platform, as shown and described.

**DESCRIPTION**

FIG. 1 is a front perspective view of a powered wheelbarrow with platform embodying our design;  
FIG. 2 is a rear perspective view of the powered wheelbarrow with platform shown in FIG. 1;  
FIG. 3 is a front elevational view of the powered wheelbarrow with platform shown in FIGS. 1 and 2;  
FIG. 4 is a left side elevational view of the powered wheelbarrow with platform depicted in FIGS. 1-3;  
FIG. 5 is a rear elevational view of the powered wheelbarrow with platform depicted in FIGS. 1-4;  
FIG. 6 is a right side elevational view of the powered wheelbarrow with platform depicted in FIGS. 1-5; and,  
FIG. 7 is a top elevational view of the powered wheelbarrow with platform shown in FIGS. 1-6.

The broken lines shown in the figures are included for the purpose of illustrating environment and form no part of the claimed design.

**1 Claim, 7 Drawing Sheets**



(56)

**References Cited**

U.S. PATENT DOCUMENTS

7,210,545 B1 \* 5/2007 Waid ..... B60K 7/0007  
180/19.1  
D574,121 S \* 7/2008 Song ..... D34/16  
7,775,306 B1 \* 8/2010 Adkins ..... B62B 1/18  
180/19.3  
8,444,166 B1 \* 5/2013 Jarvis ..... B62B 3/00  
280/415.1  
8,985,619 B2 \* 3/2015 Celli ..... B62B 1/002  
280/47.31  
D752,307 S \* 3/2016 Wyse ..... D34/12  
D752,308 S \* 3/2016 Wyse ..... D34/16  
D752,835 S \* 3/2016 Wyse ..... D34/16  
D752,836 S \* 3/2016 Wyse ..... D34/16  
D752,837 S \* 3/2016 Wyse ..... D34/16  
D754,414 S \* 4/2016 Lear ..... D34/16

\* cited by examiner

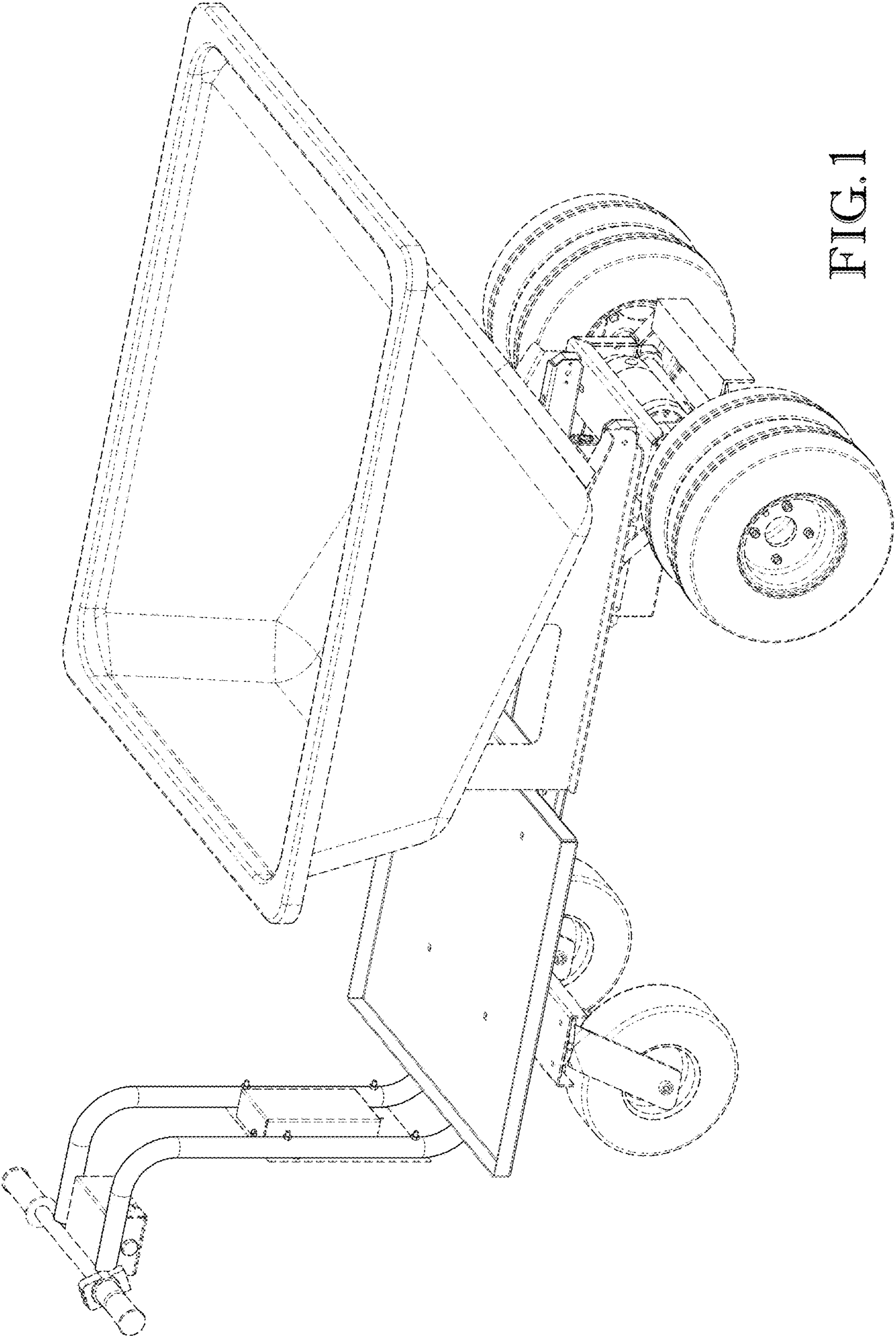


FIG. 1

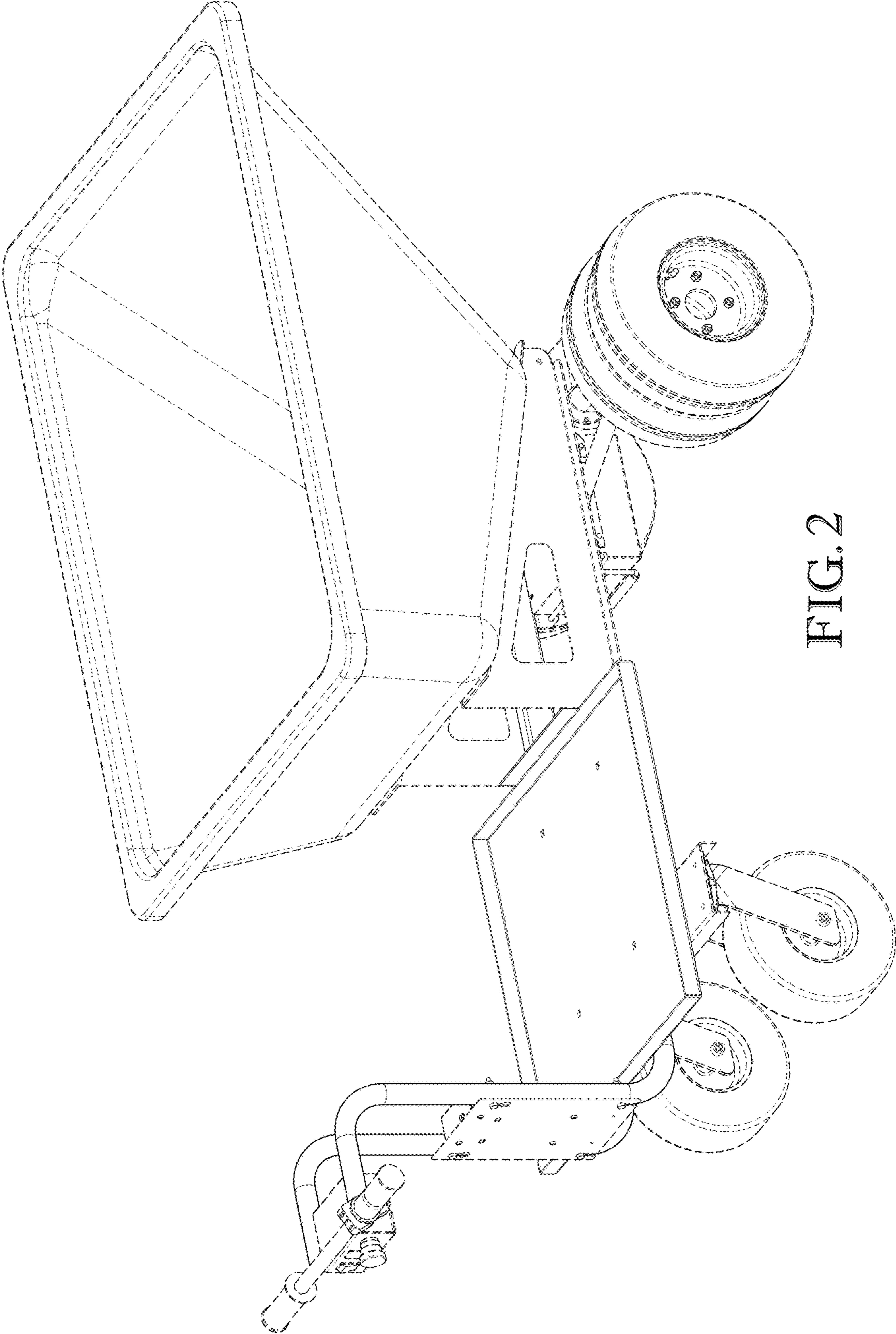


FIG. 2

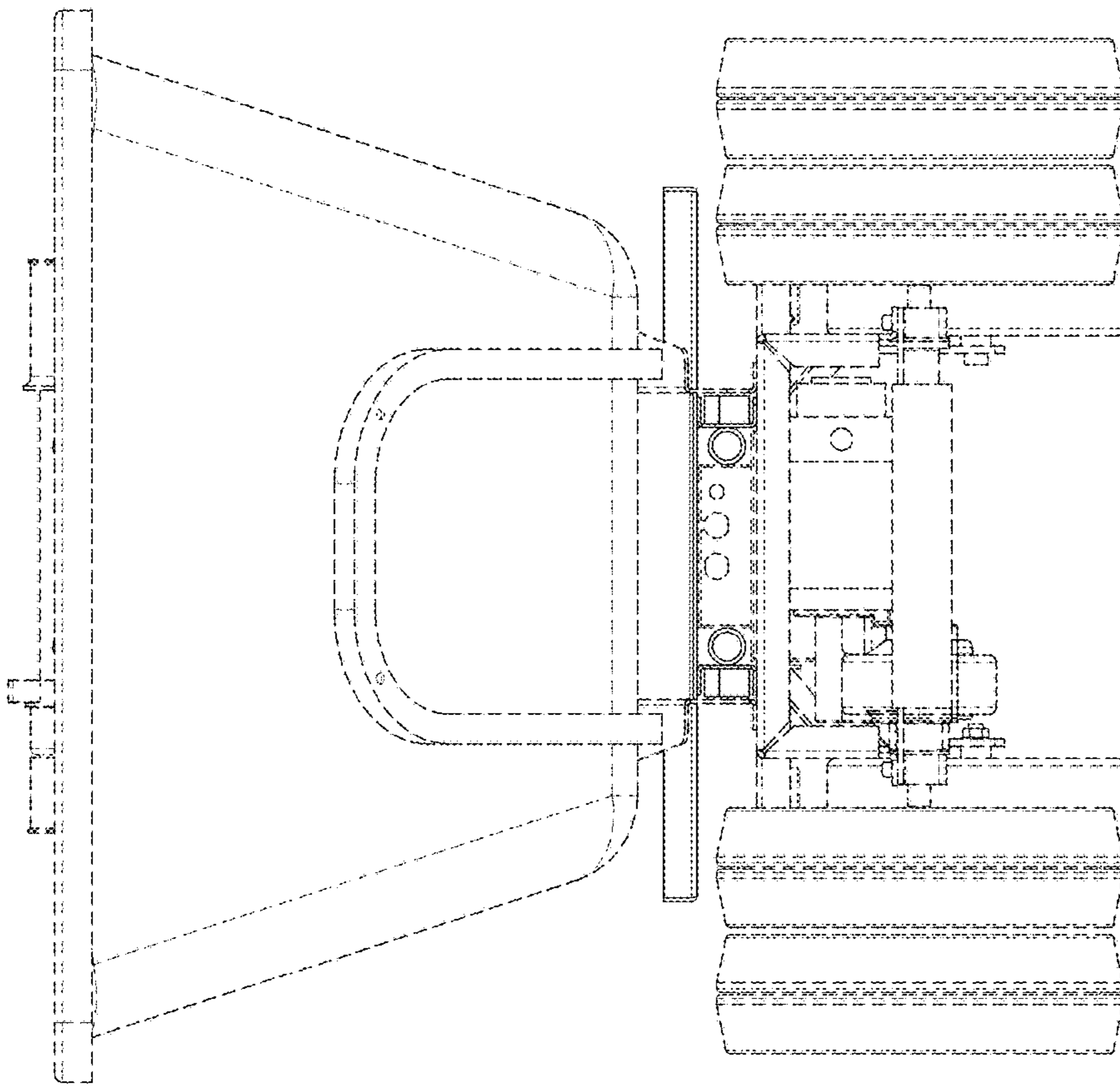


FIG. 3

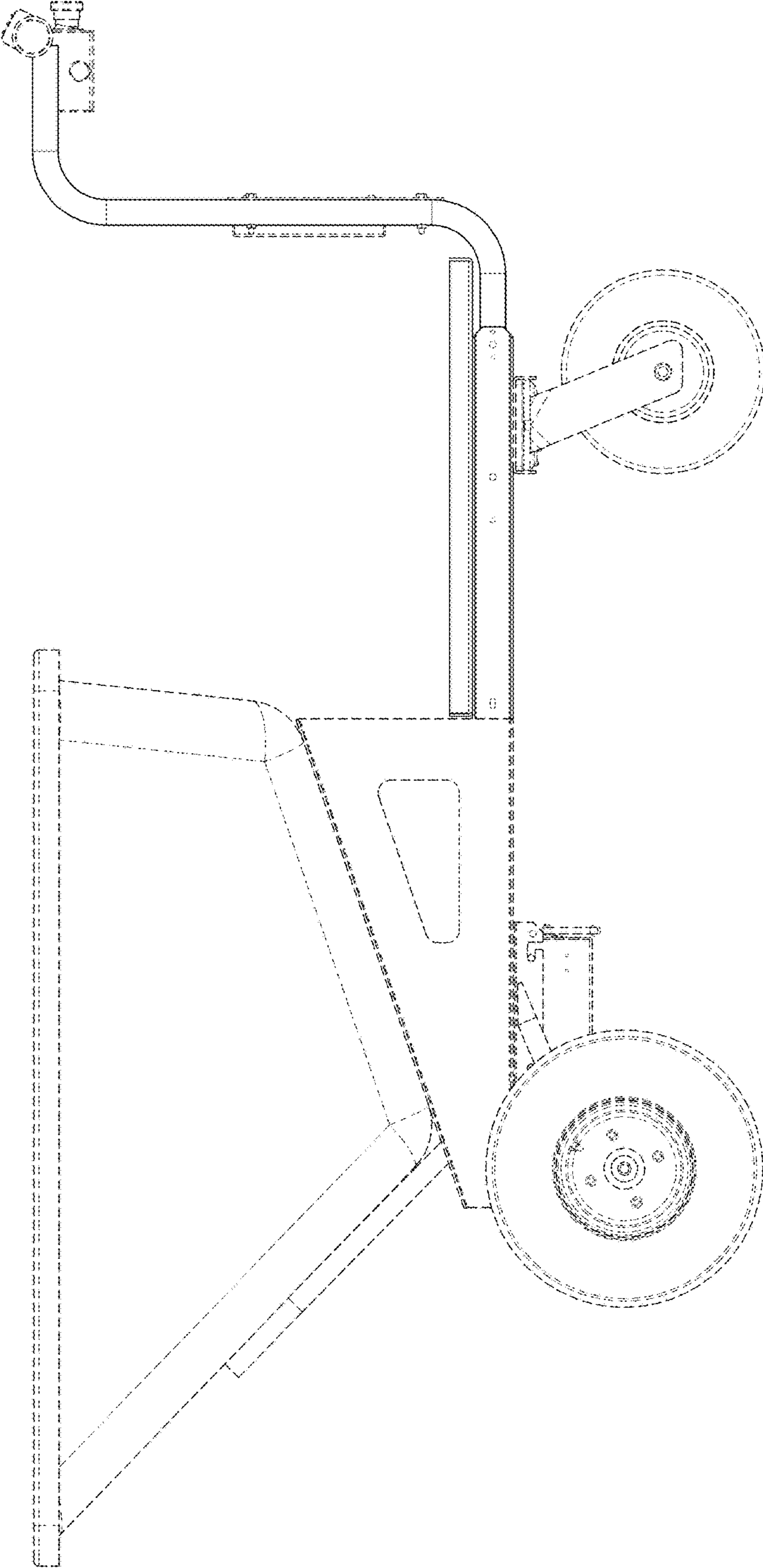


FIG. 4

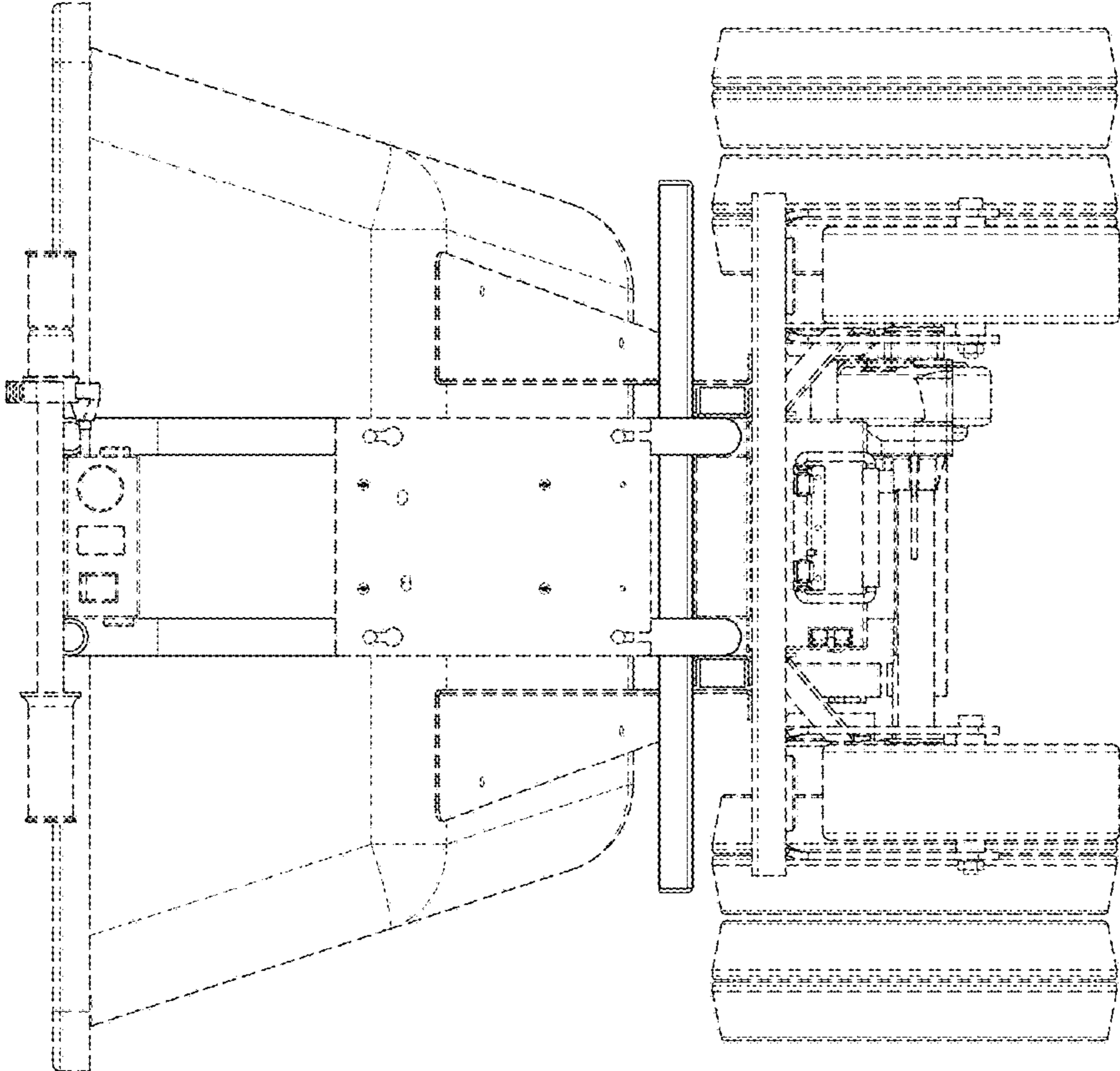


FIG. 5

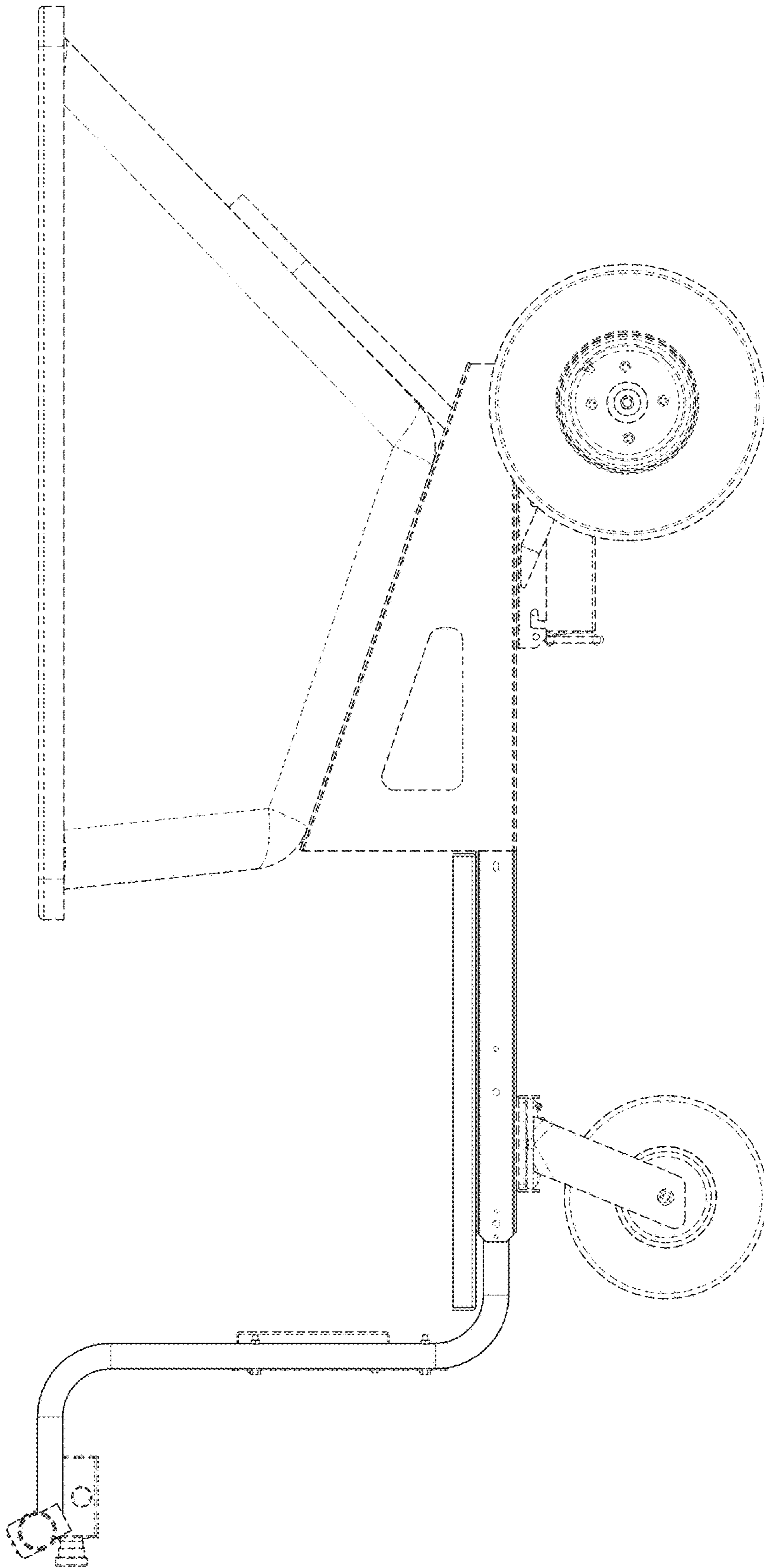


FIG. 6



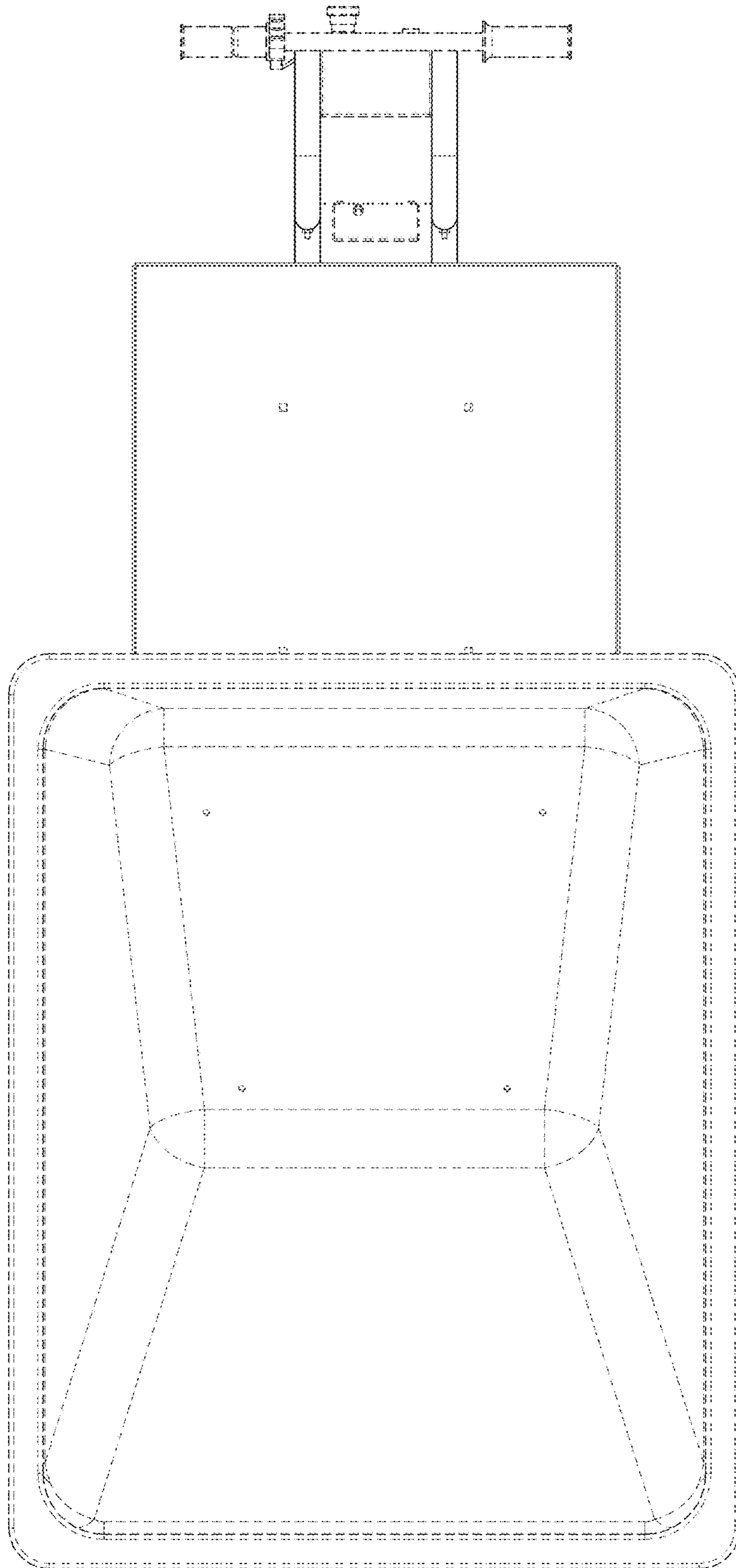


FIG. 7