



US00D781016S

(12) **United States Design Patent**
Ulm et al.

(10) **Patent No.:** **US D781,016 S**
(45) **Date of Patent:** **** Mar. 7, 2017**

(54) **INTAKE FOR CLEANER**
(71) Applicant: **Samsung Electronics Co., Ltd.**,
Suwon-si (KR)
(72) Inventors: **Dong-Hyuk Ulm**, Seoul (KR);
Sang-Hun Yoon, Seoul (KR);
Cheol-Yeon Jo, Seoul (KR); **Jae-Won Choi**, Seoul (KR)
(73) Assignee: **SAMSUNG ELECTRONICS CO., LTD.**,
Gyeonggi-do (KR)

(**) Term: **15 Years**

(21) Appl. No.: **29/530,104**

(22) Filed: **Jun. 12, 2015**

(30) **Foreign Application Priority Data**

Dec. 18, 2014 (KR) 30-2014-0061801

(51) **LOC (10) Cl.** **15-05**

(52) **U.S. Cl.**
USPC **D32/33**

(58) **Field of Classification Search**
USPC D32/25, 31-33
CPC A47L 9/02; A47L 9/06; A47L 5/28; A47L
5/24; A47L 11/4044; E04H 4/1654; E04H
4/34

See application file for complete search history.

(56) **References Cited**

U.S. PATENT DOCUMENTS

D468,499 S * 1/2003 Kitts D32/32
D507,854 S * 7/2005 Kim D32/32
D608,064 S 1/2010 Conrad et al.
D643,169 S 8/2011 Calvert
D678,635 S * 3/2013 Gammack D32/32

D686,379 S * 7/2013 Kim D32/32
D698,510 S * 1/2014 Chu D32/32
D706,504 S * 6/2014 Park D32/33
D712,104 S * 8/2014 Stickney D32/32
D712,105 S * 8/2014 Stickney D32/33
D741,560 S * 10/2015 Bennett D32/32
D747,580 S * 1/2016 Yun D32/32
2003/0217431 A1 * 11/2003 Uratani A47L 9/02
15/328
2009/0049642 A1 * 2/2009 Oh A47L 9/06
15/332
2012/0151713 A1 * 6/2012 Krebs A47L 9/0626
15/415.1

(Continued)

FOREIGN PATENT DOCUMENTS

JP D1411993 3/2011
KR 300407374 2/2006
KR 300744750 5/2014

Primary Examiner — Ruth McInroy

(74) *Attorney, Agent, or Firm* — Cantor Colburn LLP

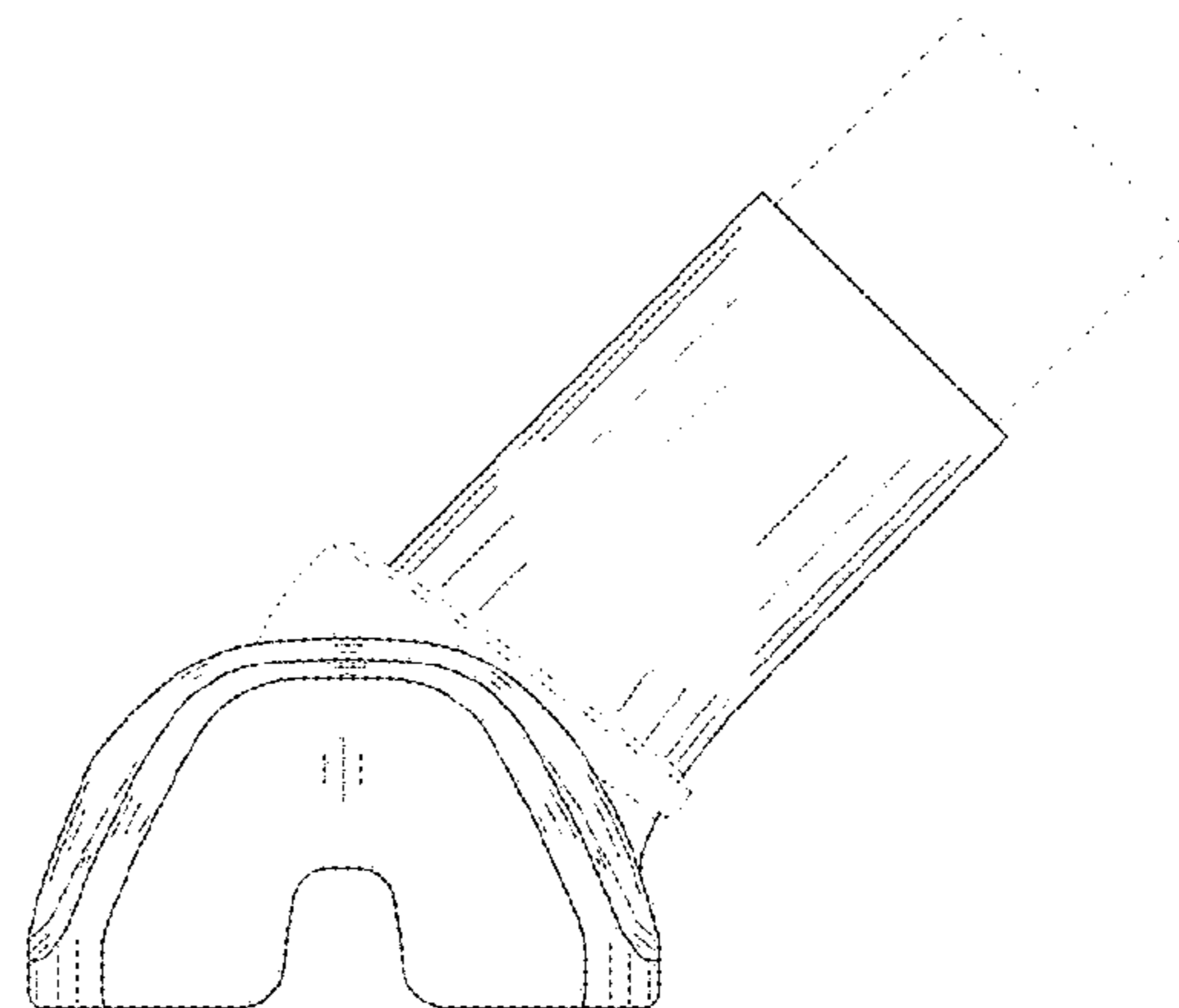
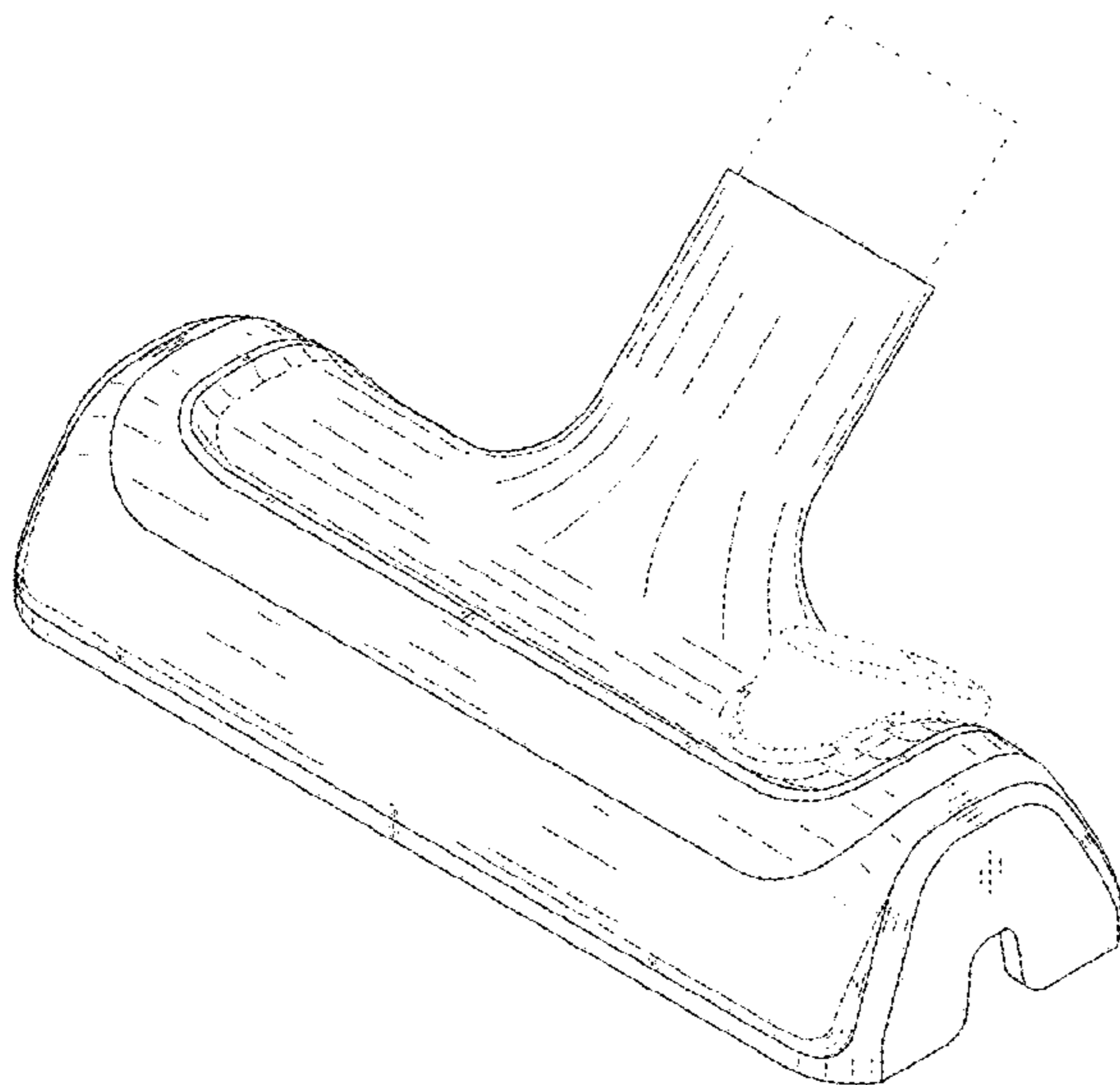
(57) **CLAIM**

The ornamental design for an intake for cleaner, as shown and described.

DESCRIPTION

FIG. 1 is a front perspective view of an intake for cleaner, showing our new design;
FIG. 2 is a front view thereof;
FIG. 3 is a rear view thereof;
FIG. 4 is a side view thereof;
FIG. 5 is another side view thereof;
FIG. 6 is a top view thereof;
FIG. 7 is a bottom view thereof; and,
FIG. 8 is a bottom perspective view thereof.
The broken lines in the figures are for environmental purposes only and form no part of the claimed design.

1 Claim, 8 Drawing Sheets



(56)

References Cited

U.S. PATENT DOCUMENTS

2012/0227211 A1* 9/2012 Hwang A47L 9/0483
15/415.1
2015/0265116 A1* 9/2015 Genn A47L 9/02
15/389

* cited by examiner

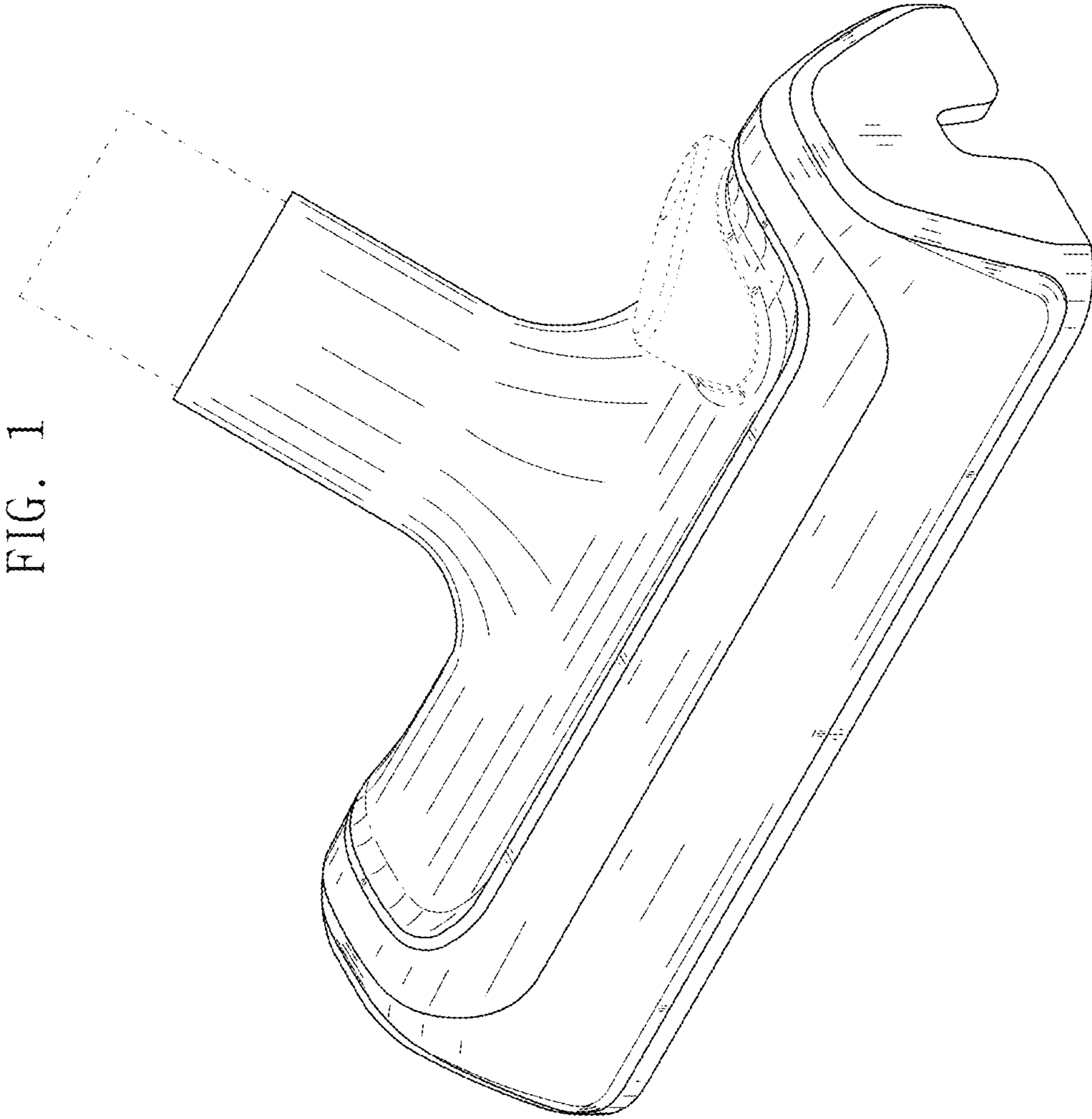


FIG. 2

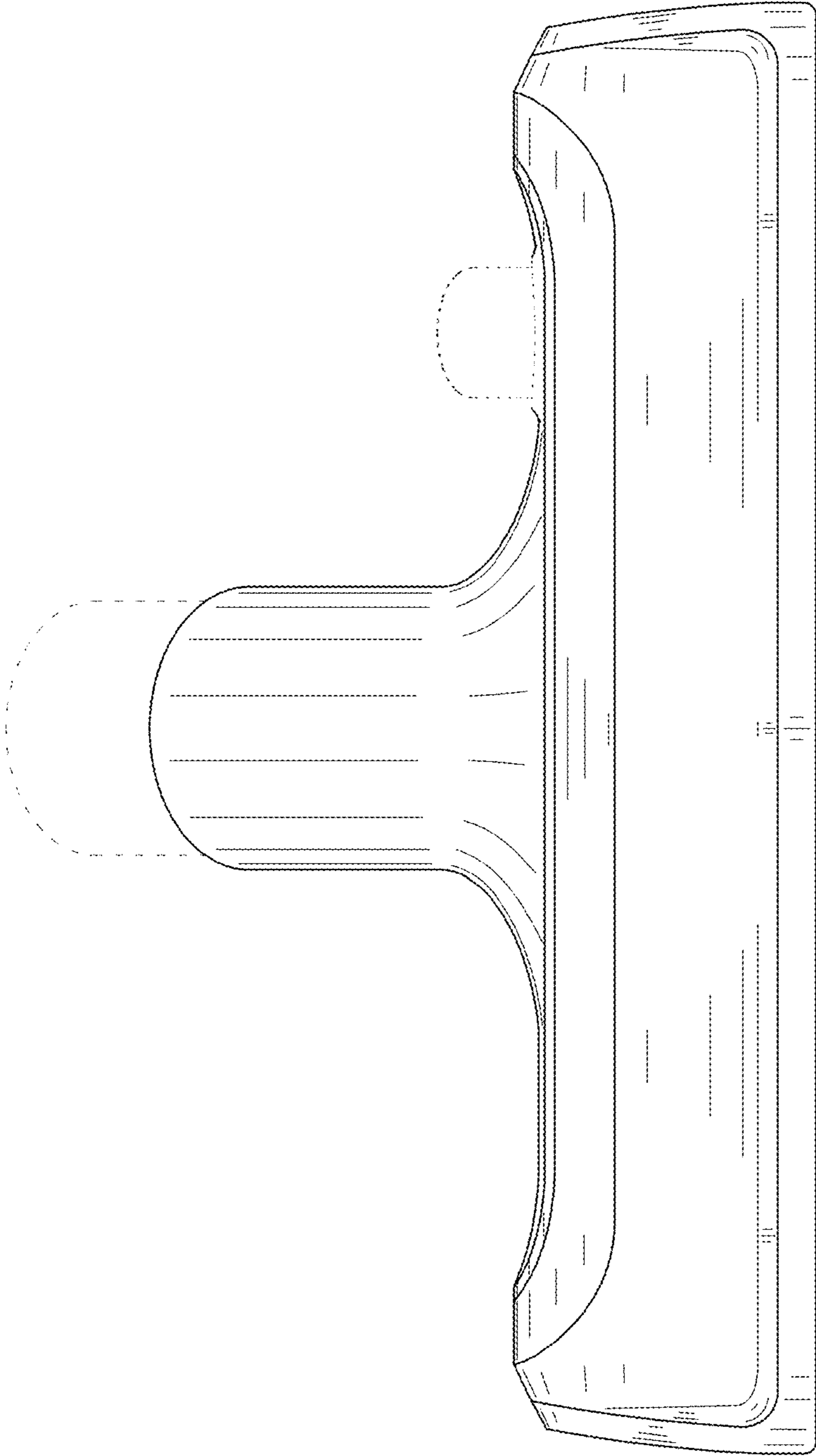


FIG. 3

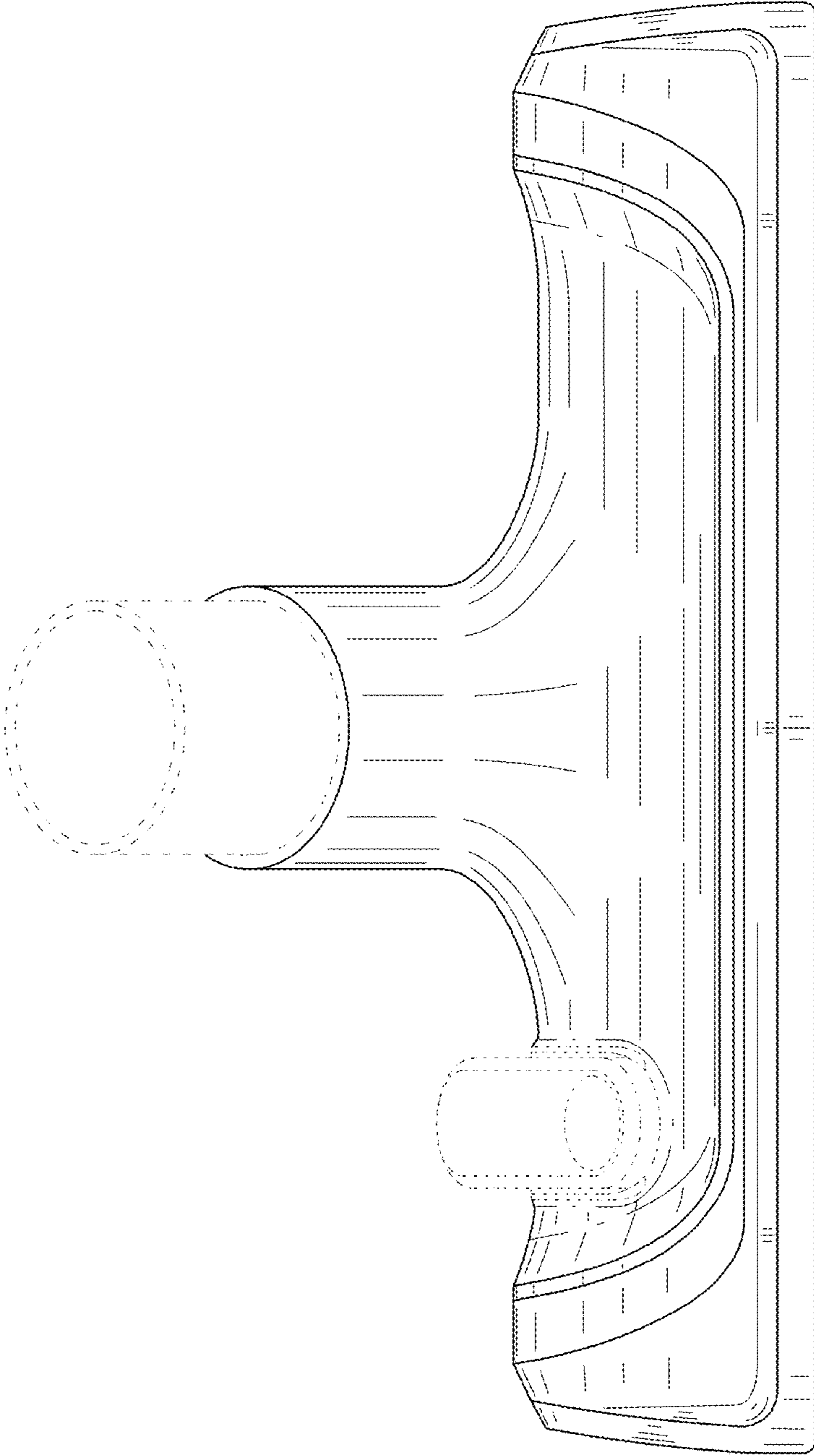


FIG. 4

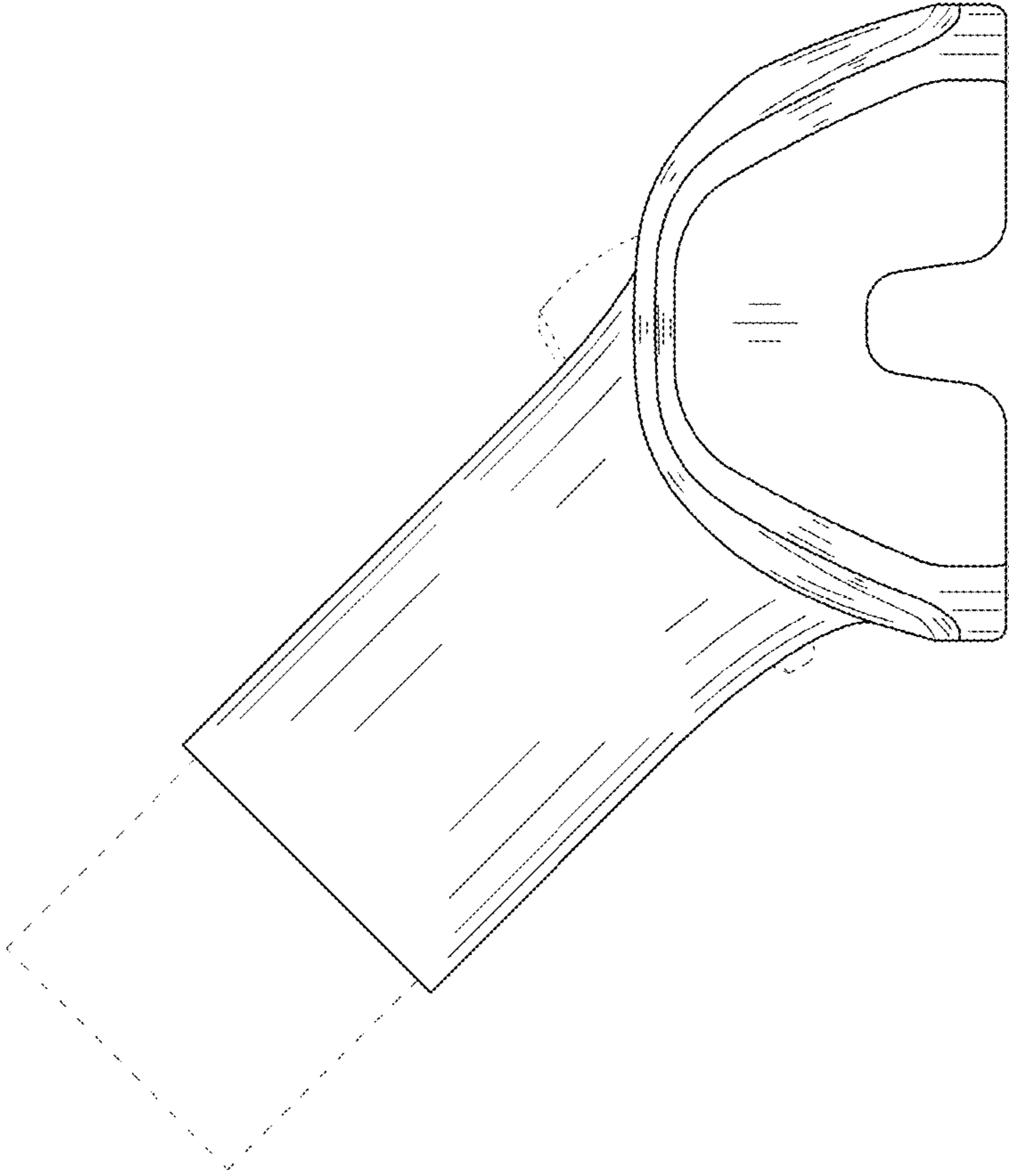


FIG. 5

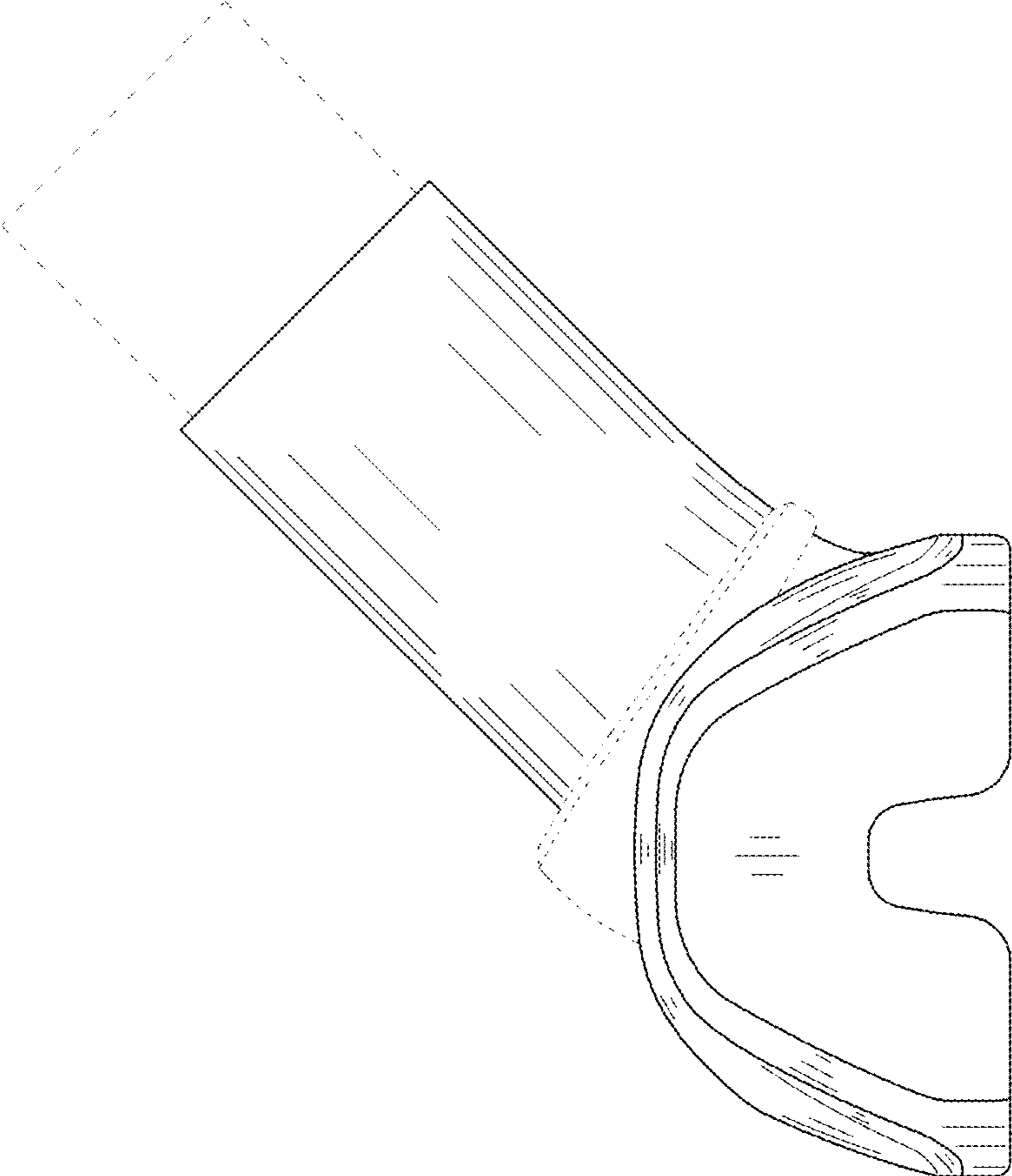


FIG. 6

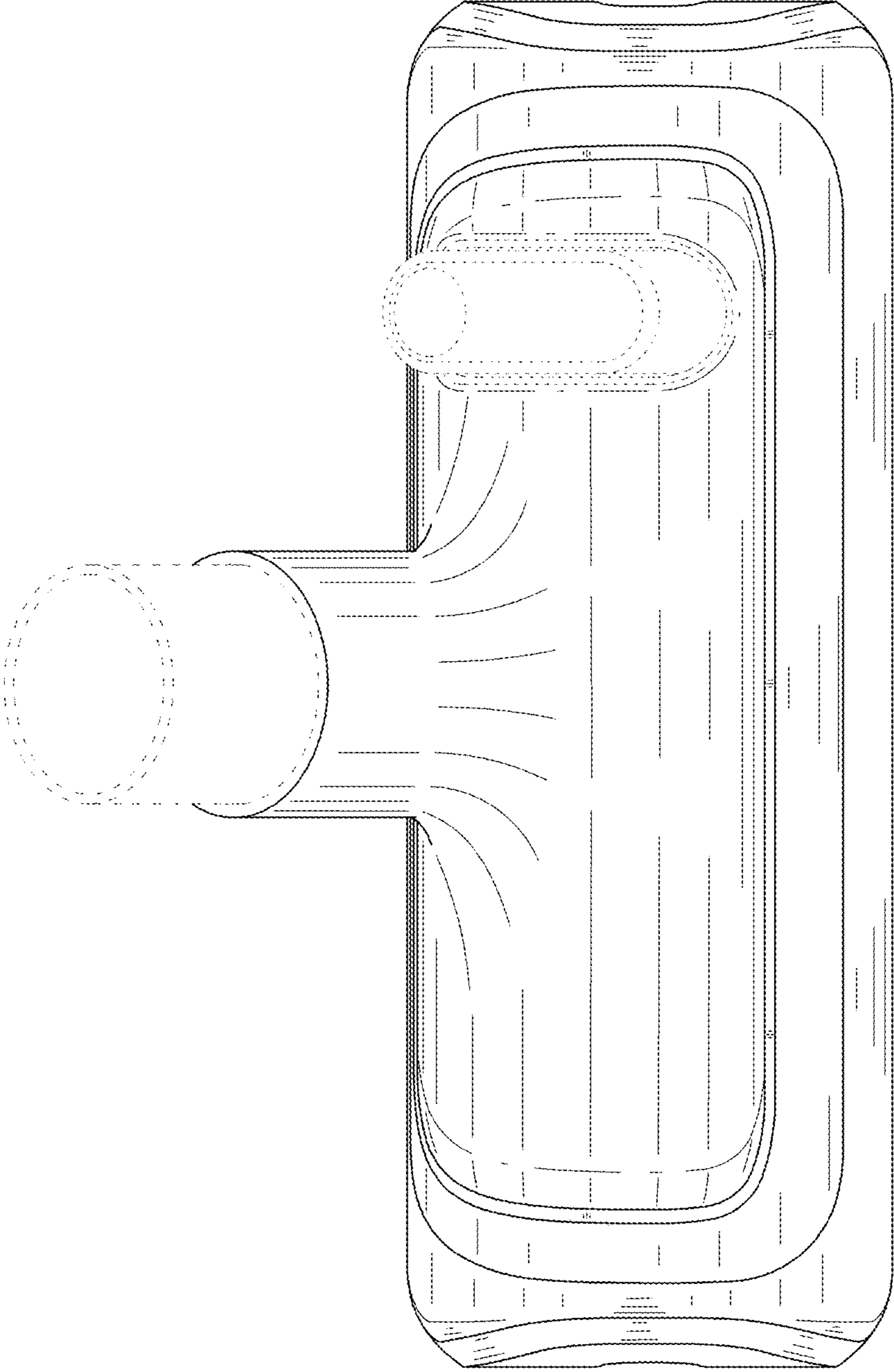


FIG. 7

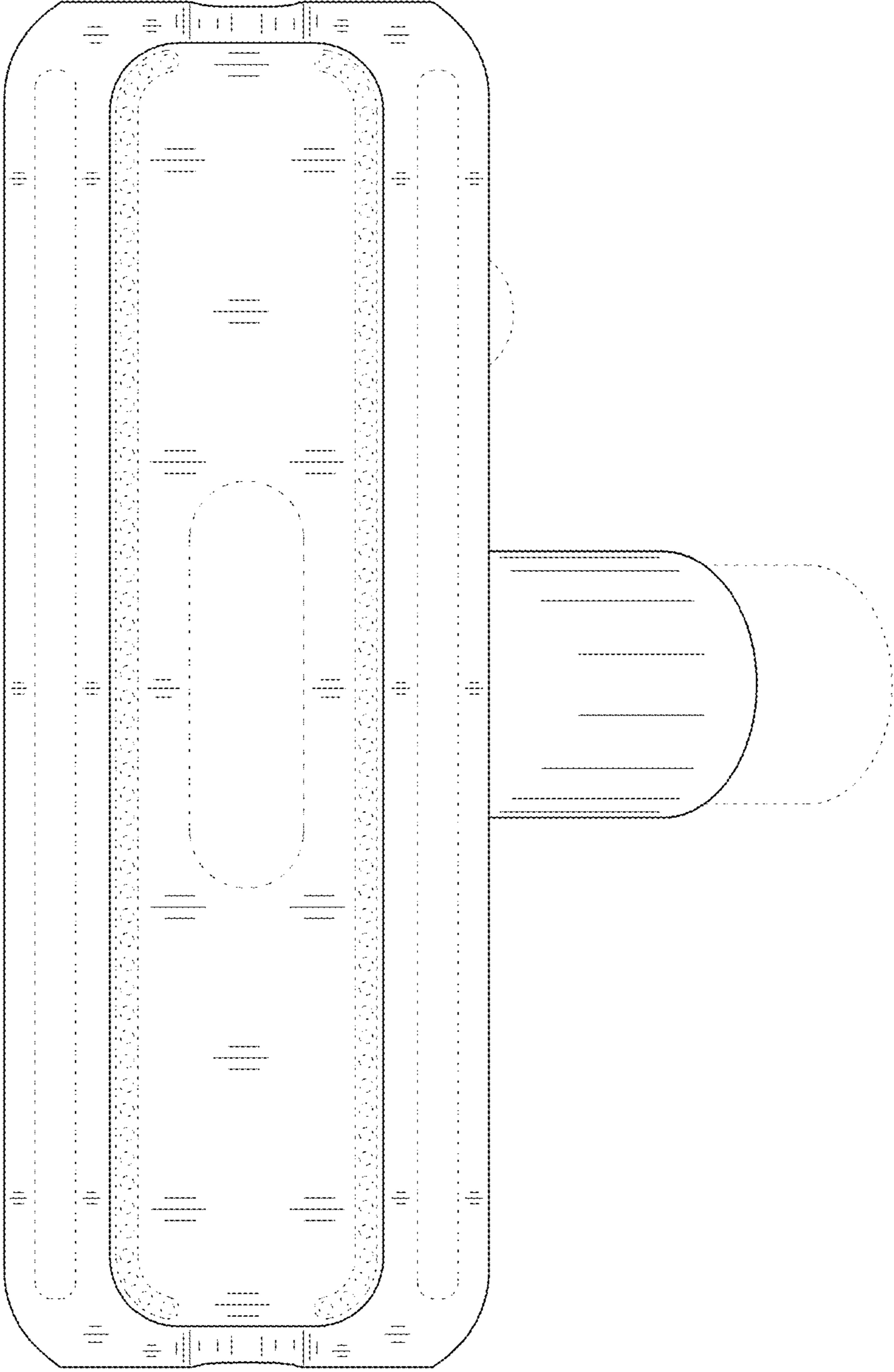


FIG. 8

