



US00D781014S

(12) **United States Design Patent**
Wu et al.

(10) **Patent No.:** **US D781,014 S**

(45) **Date of Patent:** **** Mar. 7, 2017**

(54) **SURFACE CLEANER BASE**

(71) Applicant: **BISSELL Homecare, Inc.**, Grand Rapids, MI (US)

(72) Inventors: **Hui Wu**, Shenzhen (CN); **Lawrence Chun-Hei Chu**, Shenzhen (CN); **Christopher John Reinke**, Saint Joseph, MI (US)

(73) Assignee: **BISSELL Homecare, Inc.**, Grand Rapids, MI (US)

(**) Term: **15 Years**

(21) Appl. No.: **29/542,448**

(22) Filed: **Oct. 14, 2015**

(51) **LOC (10) Cl.** **15-05**

(52) **U.S. Cl.**
USPC **D32/32**

(58) **Field of Classification Search**
USPC D32/31-33, 17
CPC D06F 87/00; A47L 5/24; A47L 11/34;
A47L 11/4044; A47L 11/4086; A47L
9/02; A47L 9/0461; A47L 9/0693; A47L
9/06; A47L 7/009

See application file for complete search history.

(56) **References Cited**

U.S. PATENT DOCUMENTS

D655,468 S *	3/2012	Karsan	D32/33
D720,104 S *	12/2014	Santiago	D32/32
D728,180 S *	4/2015	Thome	D32/33
D751,779 S *	3/2016	Smith	D32/32
D757,378 S *	5/2016	Johnson	D32/32
D762,031 S *	7/2016	Niedzwecki	D32/32

* cited by examiner

Primary Examiner — Ruth McInroy

(74) *Attorney, Agent, or Firm* — McGarry Bair PC

(57) **CLAIM**

The ornamental design for a surface cleaner base, as shown and described.

DESCRIPTION

FIG. 1 is a front, right perspective view of a surface cleaner base showing our new design;

FIG. 2 is a front view thereof;

FIG. 3 is a rear view thereof;

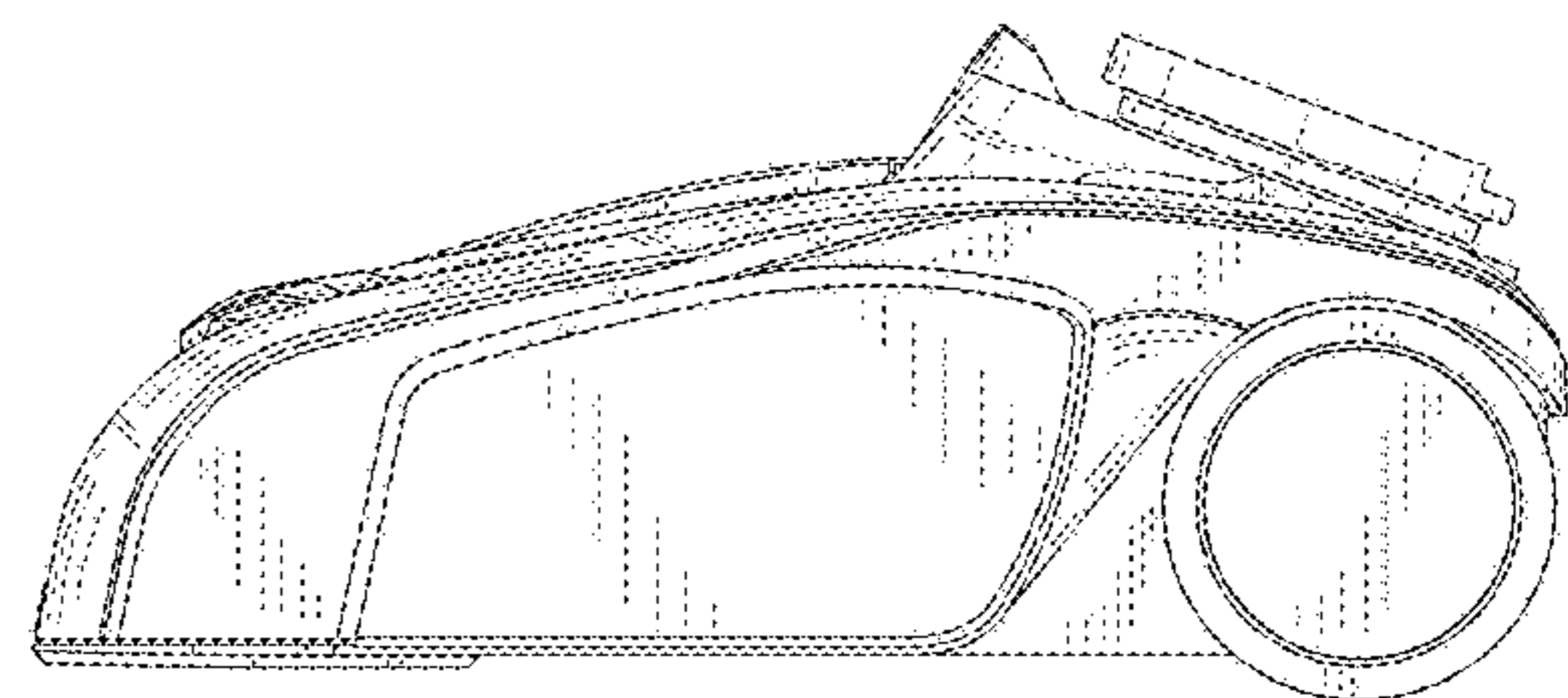
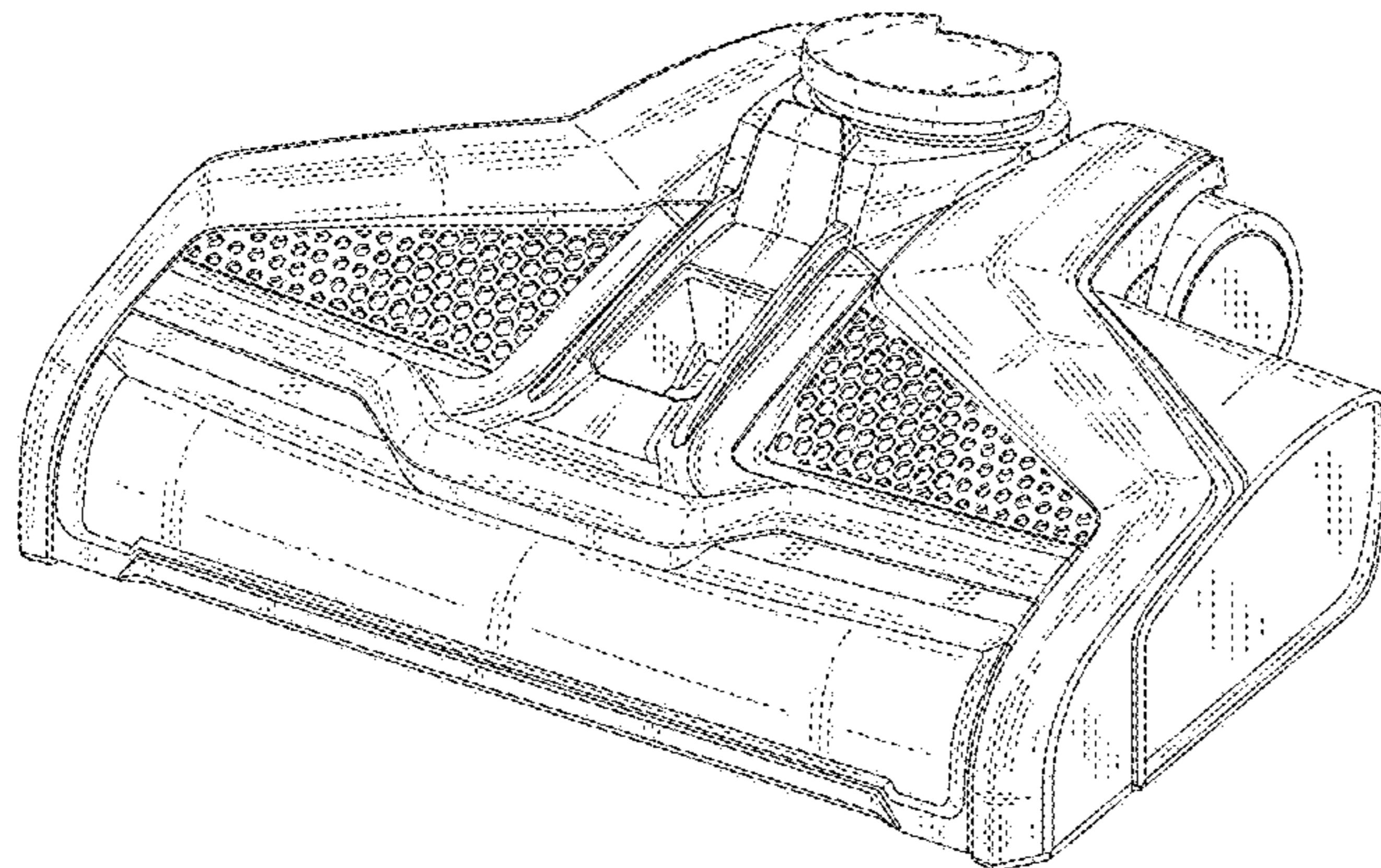
FIG. 4 is a left side view thereof;

FIG. 5 is a right side view thereof; and,

FIG. 6 is a top view thereof.

The broken lines are shown for the purpose of illustrating unclaimed portions of the surface cleaner base and form no part of the claimed design.

1 Claim, 4 Drawing Sheets



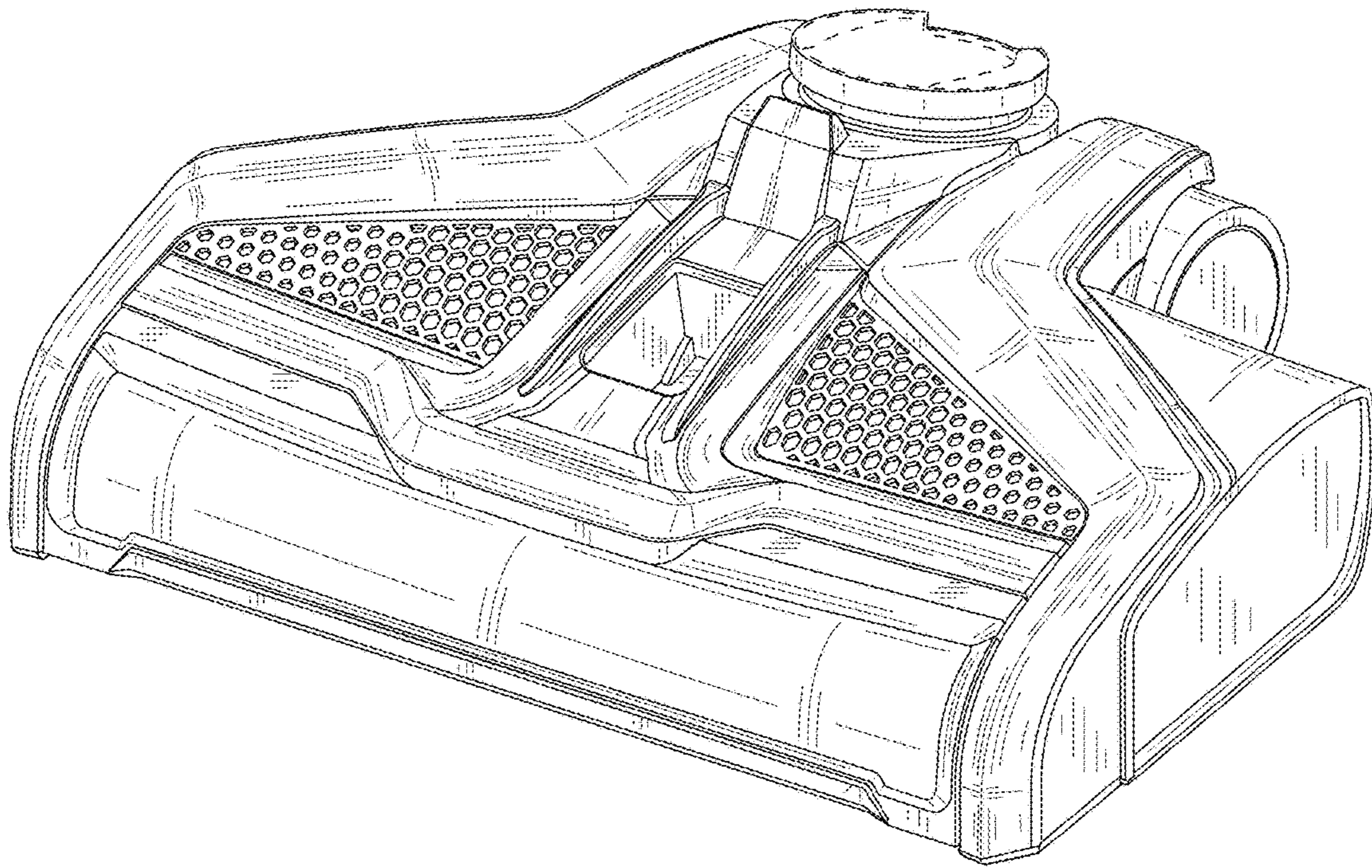


FIG. 1

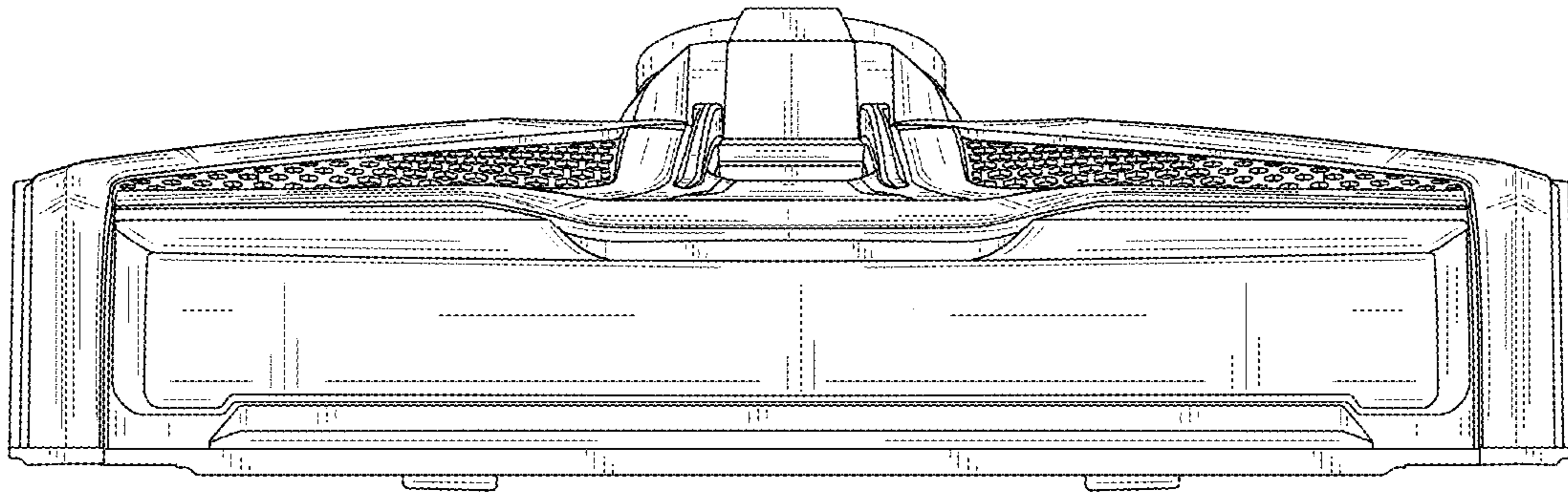


FIG. 2

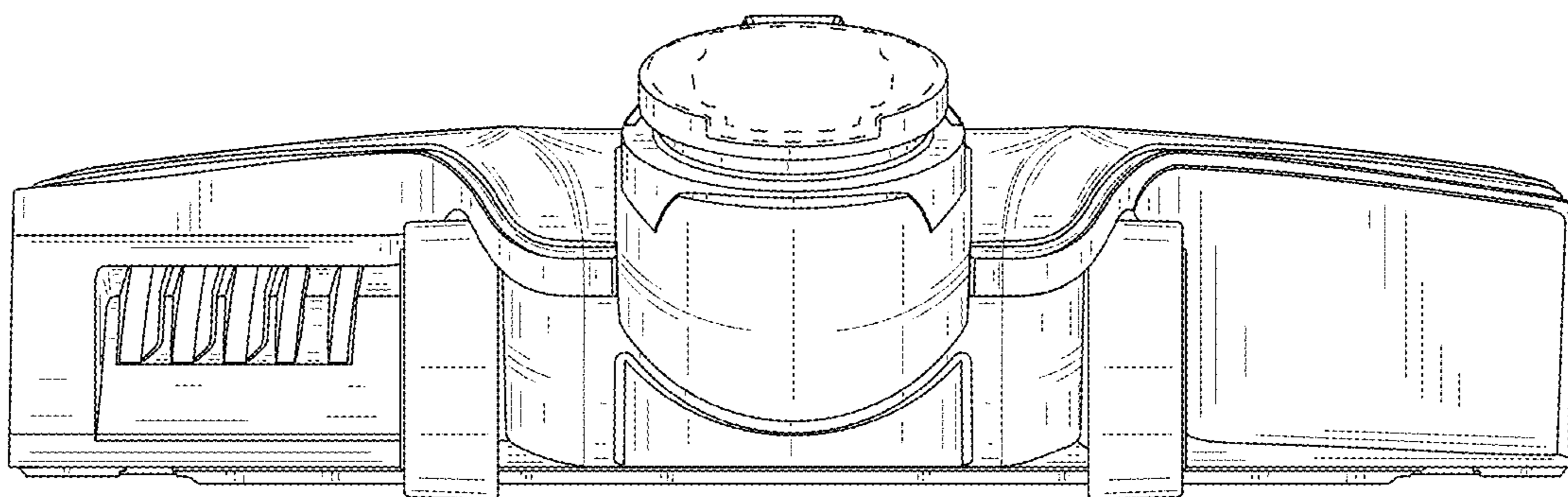


FIG. 3

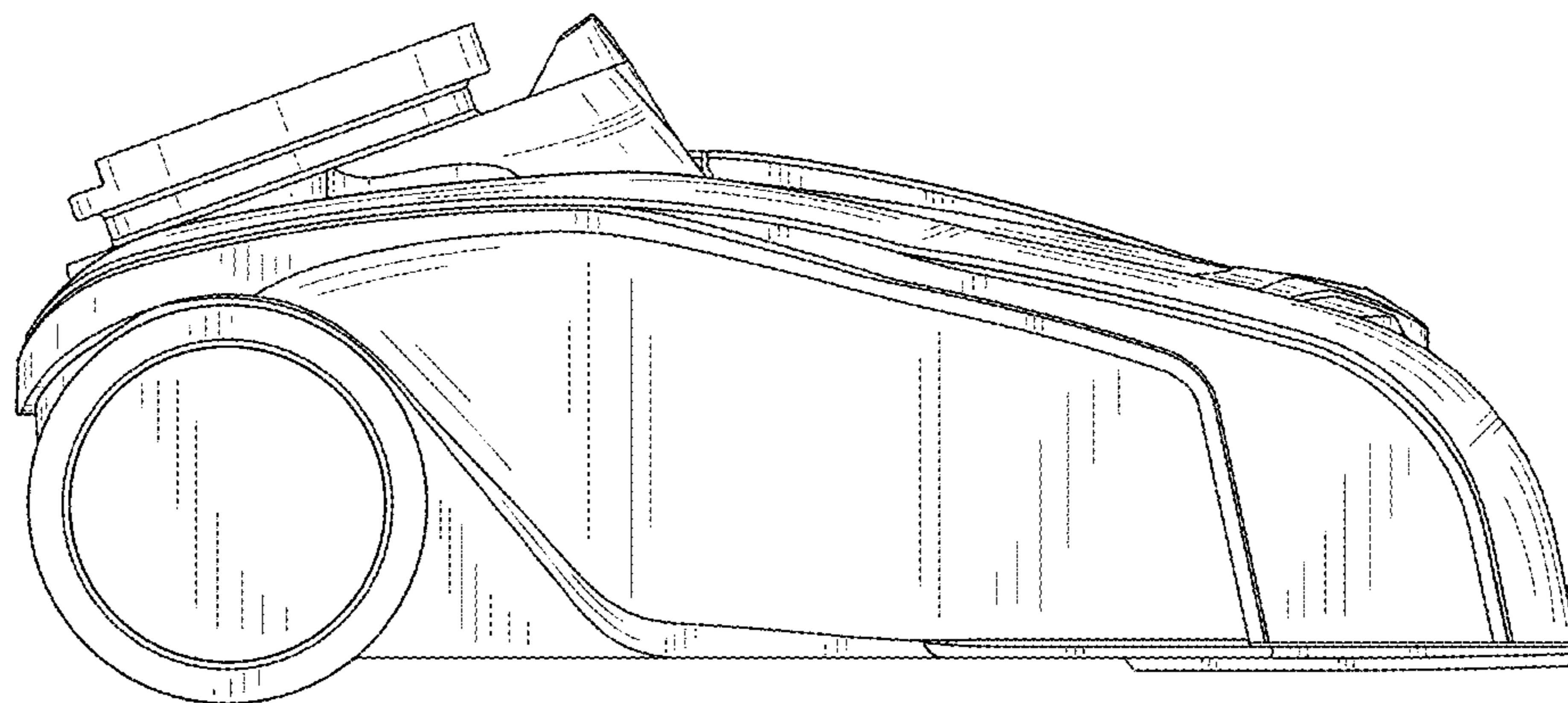


FIG. 4

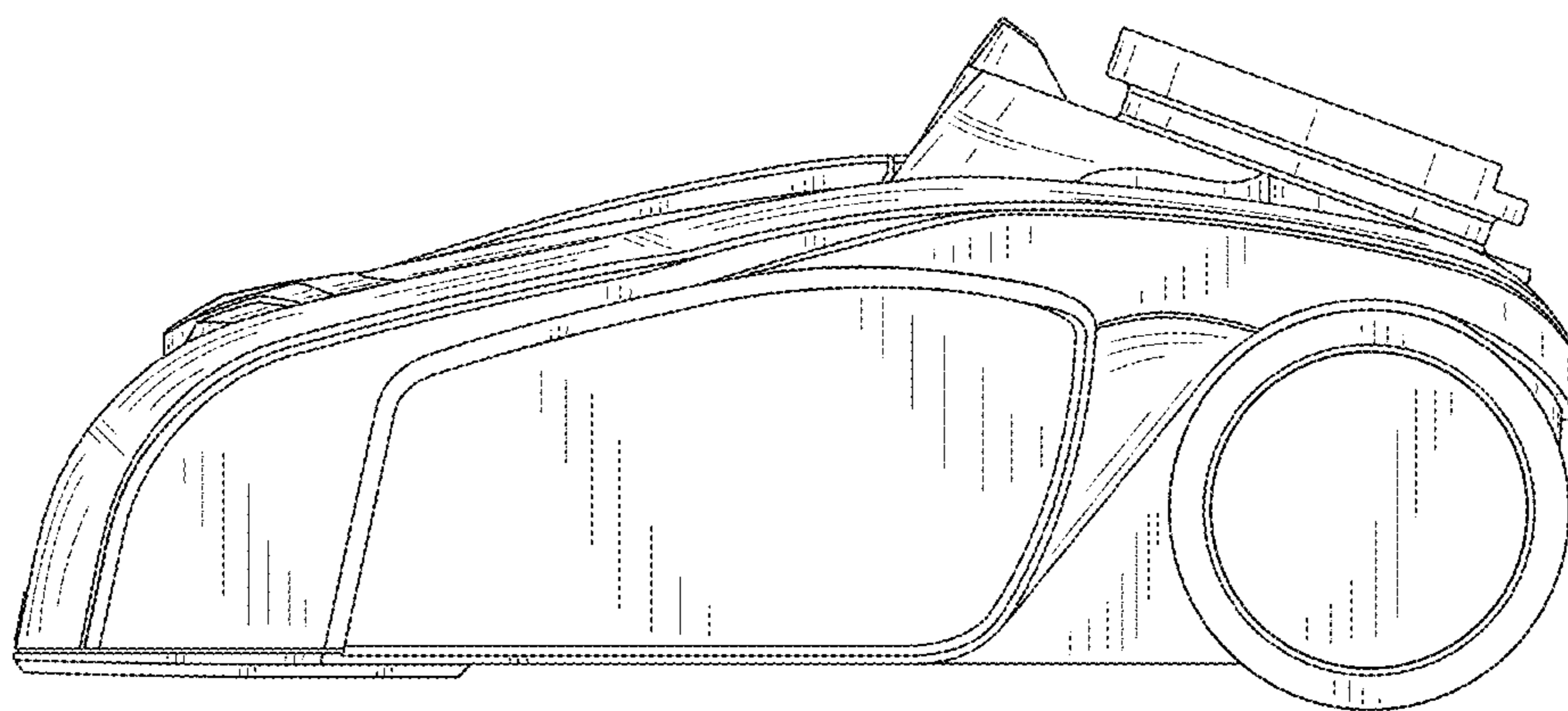


FIG. 5

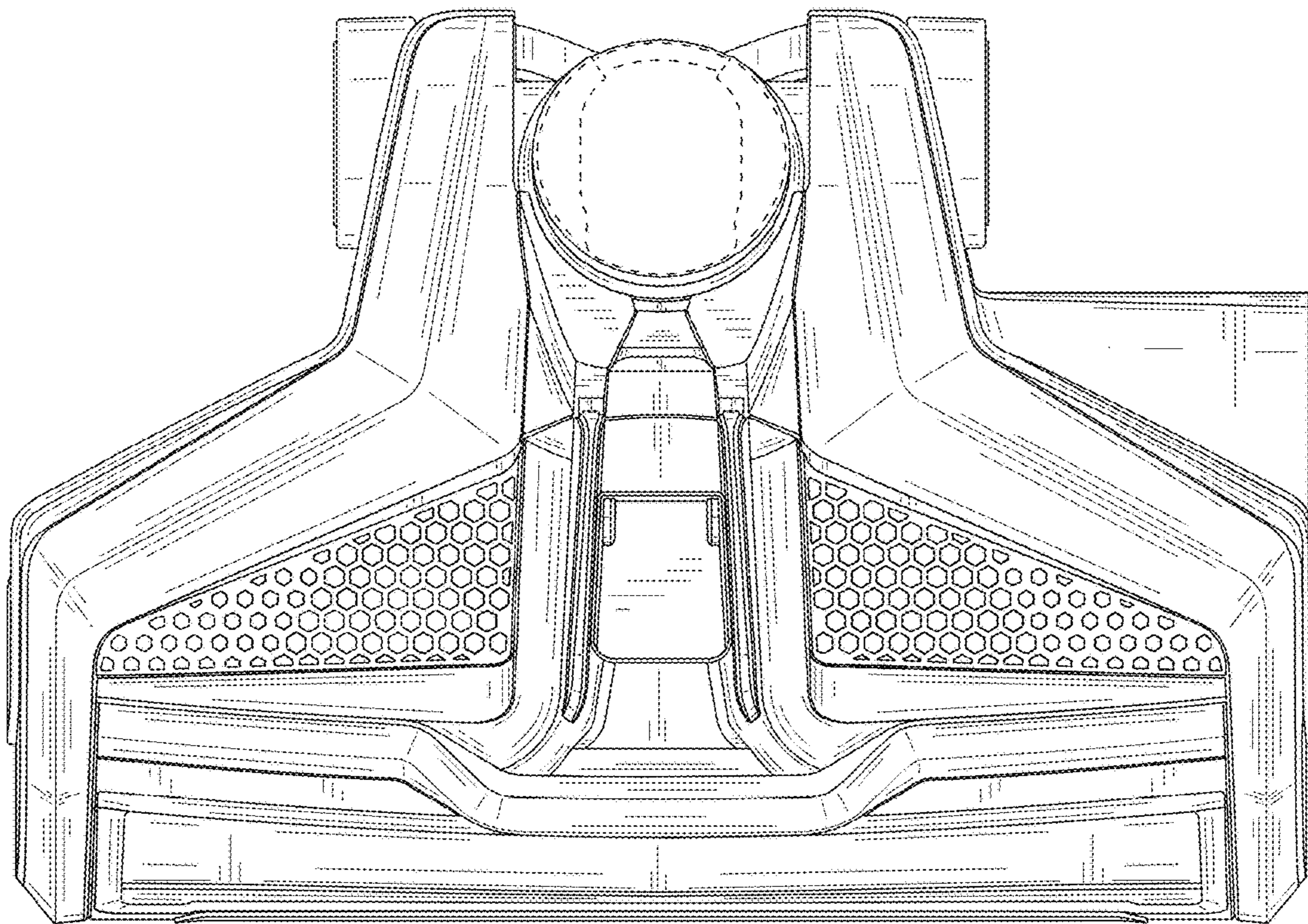


FIG. 6