



US00D781013S

(12) **United States Design Patent** (10) **Patent No.:** **US D781,013 S**
Ricica (45) **Date of Patent:** **** Mar. 7, 2017**

(54) **VACUUM CLEANER HEAD COVER**

FOREIGN PATENT DOCUMENTS

(71) Applicant: **EURO-PRO OPERATING LLC**,
Newton, MA (US)

JP H10201682 A 8/1998
WO 2014131106 A1 9/2014

(72) Inventor: **Aaron Ricica**, Brookline, MA (US)

OTHER PUBLICATIONS

(73) Assignee: **SharkNinja Operating LLC**, Newton,
MA (US)

U.S. Appl. No. 29/527,288, Ricica, Aaron, Ruth McInroy.*

(**) Term: **15 Years**

Primary Examiner — Ruth McInroy

(21) Appl. No.: **29/527,288**

(74) *Attorney, Agent, or Firm* — Grossman Tucker
Perreault & Pfleger, PLLC

(22) Filed: **May 18, 2015**

(57) **CLAIM**

(51) **LOC (10) Cl.** **15-05**

The ornamental design of a vacuum cleaner head cover, as
shown and described.

(52) **U.S. Cl.**

USPC **D32/32**

(58) **Field of Classification Search**

USPC D32/25, 31-33, 19-20

CPC A47L 9/02; A47L 9/06; A47L 5/28; A47L

5/24; A47L 5/30; A47L 11/4044; E04H

4/1654; E04H 4/34

See application file for complete search history.

DESCRIPTION

FIG. 1 is a top perspective view of a vacuum cleaner head
cover in a closed position in accordance with the present
invention;

FIG. 2 is a front view thereof;

FIG. 3 is a rear view thereof;

FIG. 4 is a left side view thereof;

FIG. 5 is a right side view thereof;

FIG. 6 is a top view thereof;

FIG. 7 is a bottom view thereof;

FIG. 8 is a top perspective view of a vacuum cleaner head
cover in an open position in accordance with the present
invention;

FIG. 9 is a front view thereof;

FIG. 10 is a left side view thereof;

FIG. 11 is a right side view thereof;

FIG. 12 is a top view thereof; and,

FIG. 13 is a bottom view thereof.

The broken lines are included for the purpose of illustrating
the unclaimed portions of the article and form no part of the
claim.

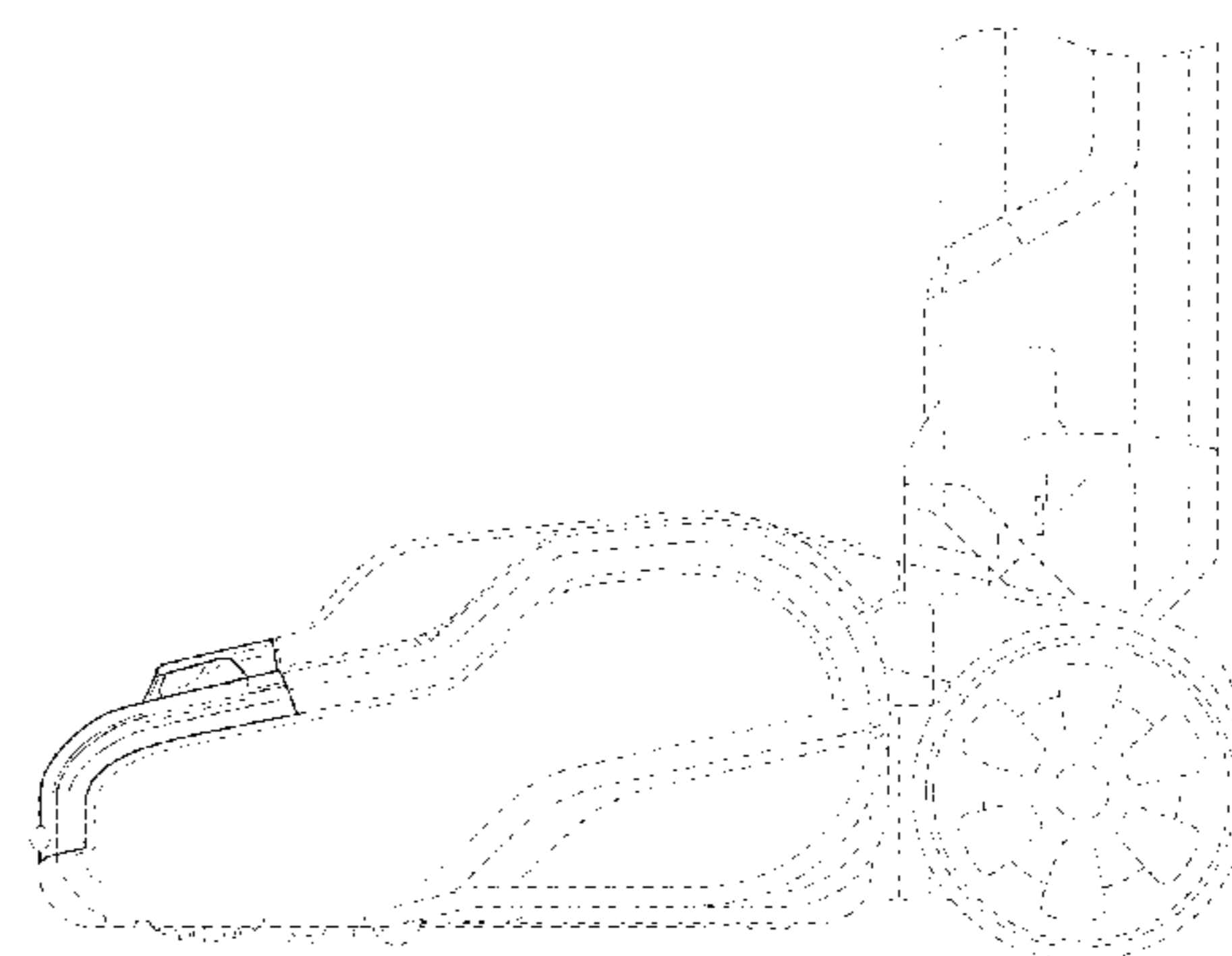
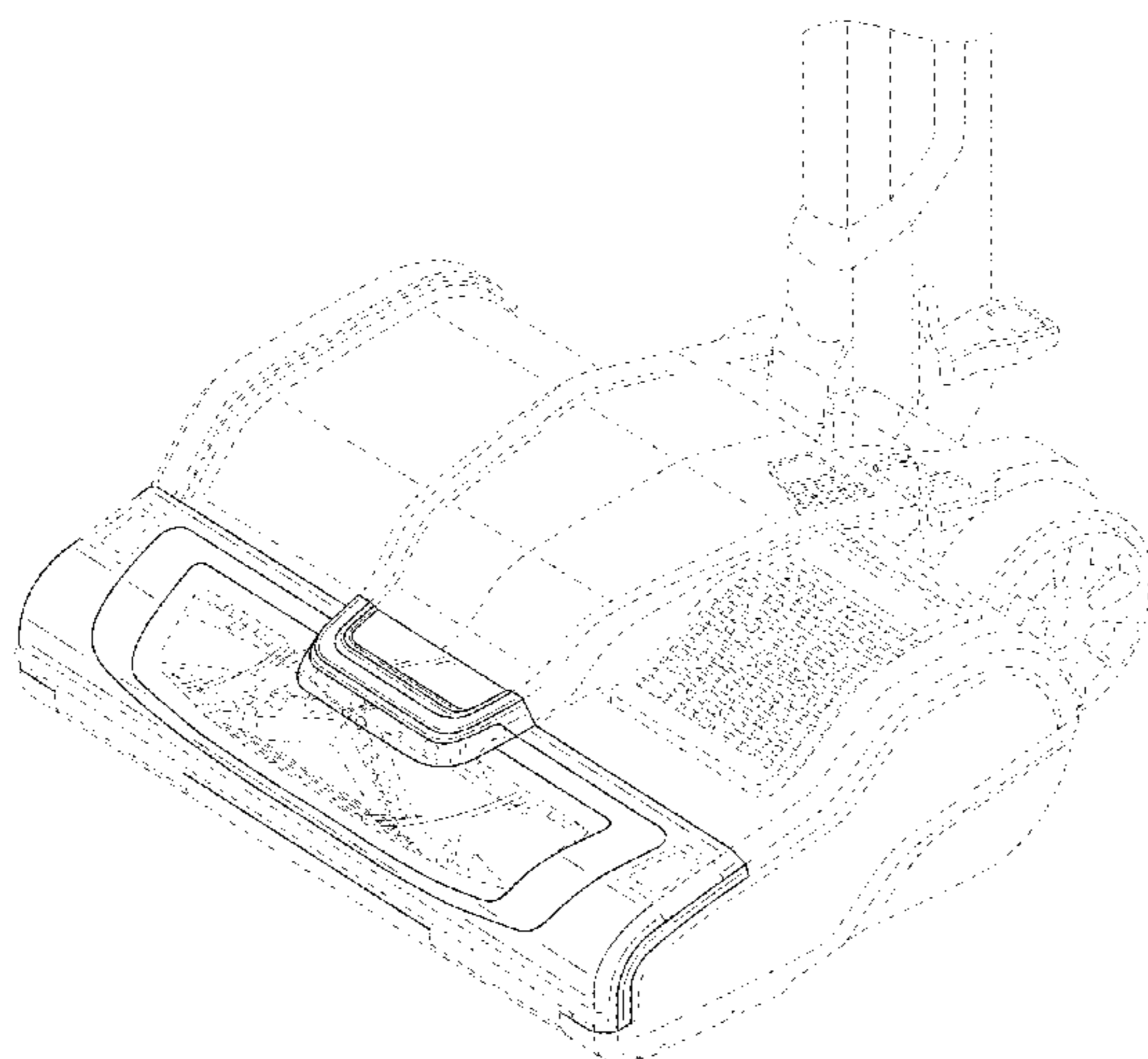
(56) **References Cited**

U.S. PATENT DOCUMENTS

2,411,488	A	11/1946	White	
5,765,258	A	6/1998	Melito et al.	
6,012,200	A	1/2000	Murphy et al.	
6,226,832	B1	5/2001	McCormick	
D456,965	S *	5/2002	Paterson	D32/32
D456,966	S *	5/2002	Paterson	D32/32
D473,687	S *	4/2003	Kaffenberger	D32/33
D495,106	S *	8/2004	Leyden	D32/32
7,013,528	B2	3/2006	Parker et al.	
D524,498	S *	7/2006	Luebbering	D32/32
D536,495	S *	2/2007	Porter	D32/32
D537,220	S *	2/2007	Porter	D32/32
7,200,893	B2	4/2007	Gerber et al.	
7,316,050	B2	1/2008	Worwag	
7,329,294	B2	2/2008	Conrad	

(Continued)

1 Claim, 13 Drawing Sheets



(56)

References Cited

U.S. PATENT DOCUMENTS

D594,612	S *	6/2009	Umeda	D32/32
7,690,079	B2	4/2010	Boddy et al.	
D618,873	S *	6/2010	Ayers	D32/33
D619,315	S *	7/2010	Ayers	D32/32
D621,564	S *	8/2010	Kaffenberger	D32/32
8,037,571	B2	10/2011	Butts et al.	
D655,468	S *	3/2012	Karsan	D32/33
8,316,503	B2	11/2012	Follows et al.	
8,402,601	B2	3/2013	Fahlstrom	
D686,379	S *	7/2013	Kim	D32/32
8,631,541	B2	1/2014	Tran	
8,776,311	B2	7/2014	Genn et al.	
8,782,851	B2	7/2014	Follows et al.	
8,806,710	B2	8/2014	Follows et al.	
2010/0306958	A1	12/2010	Follows et al.	
2011/0296648	A1	12/2011	Kah, Jr.	
2012/0096670	A1 *	4/2012	Kim	A47L 9/02 15/339
2013/0212831	A1	8/2013	Follows et al.	
2016/0113458	A1 *	4/2016	Song	A47L 5/28 15/419

* cited by examiner

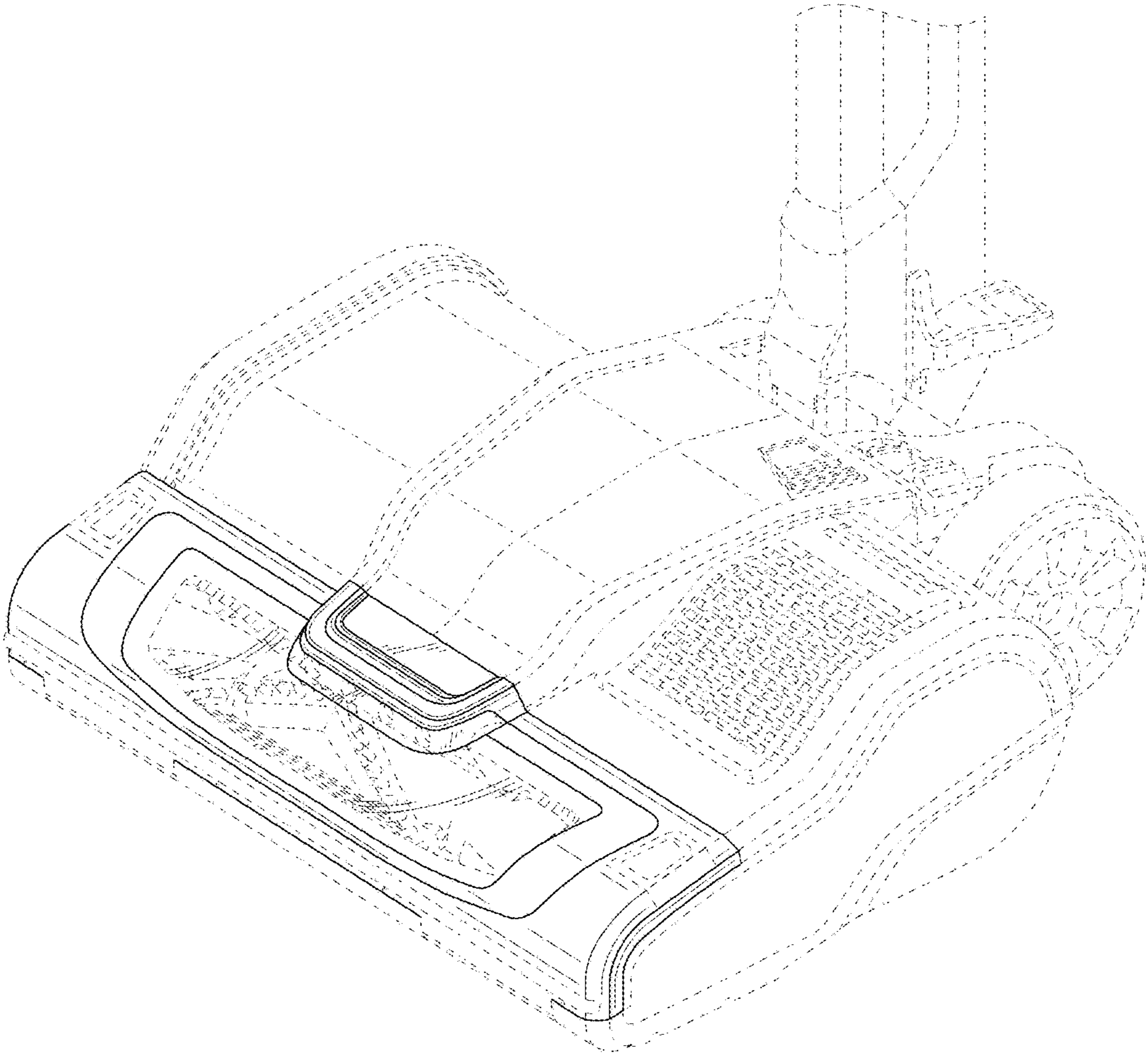


FIG. 1

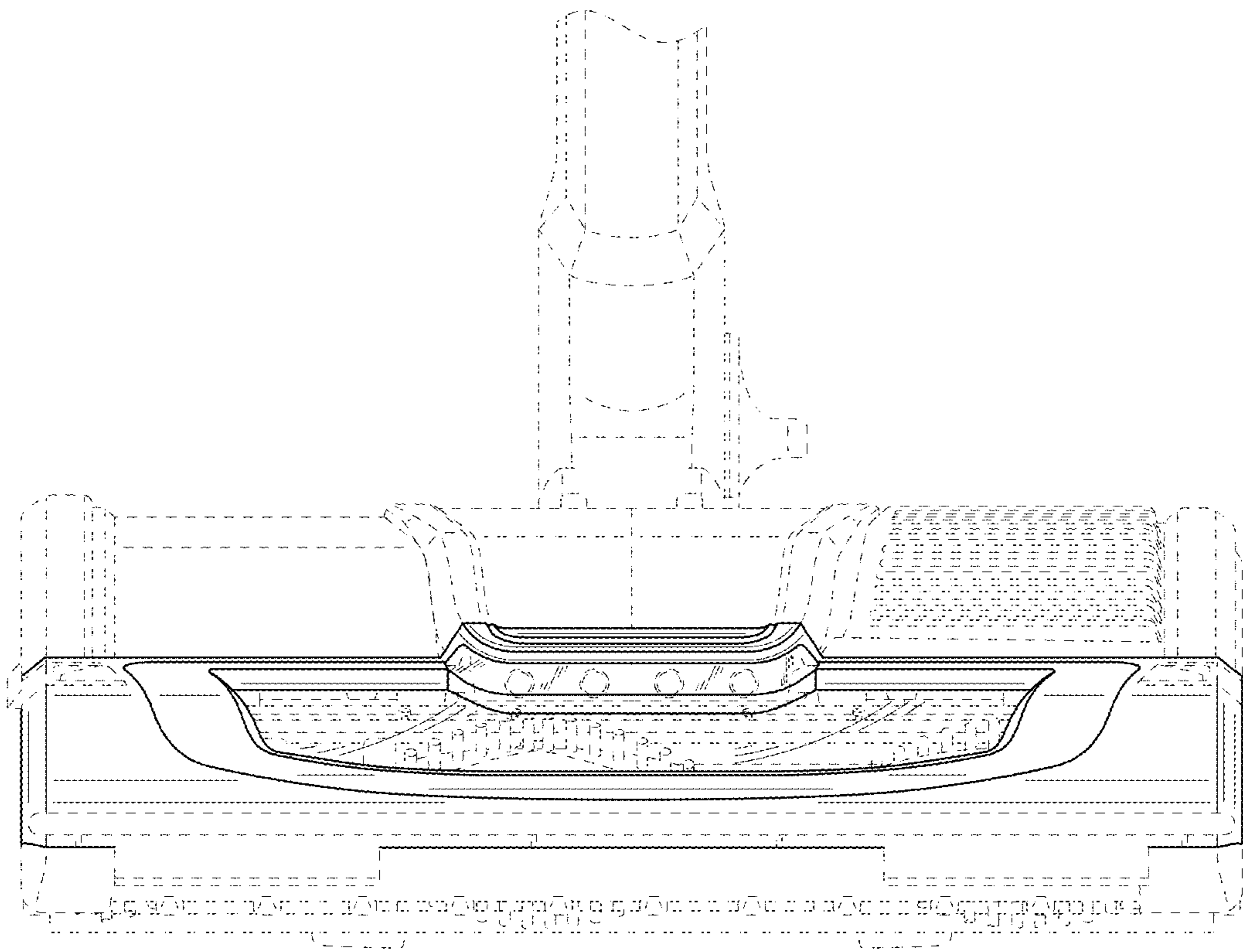


FIG. 2

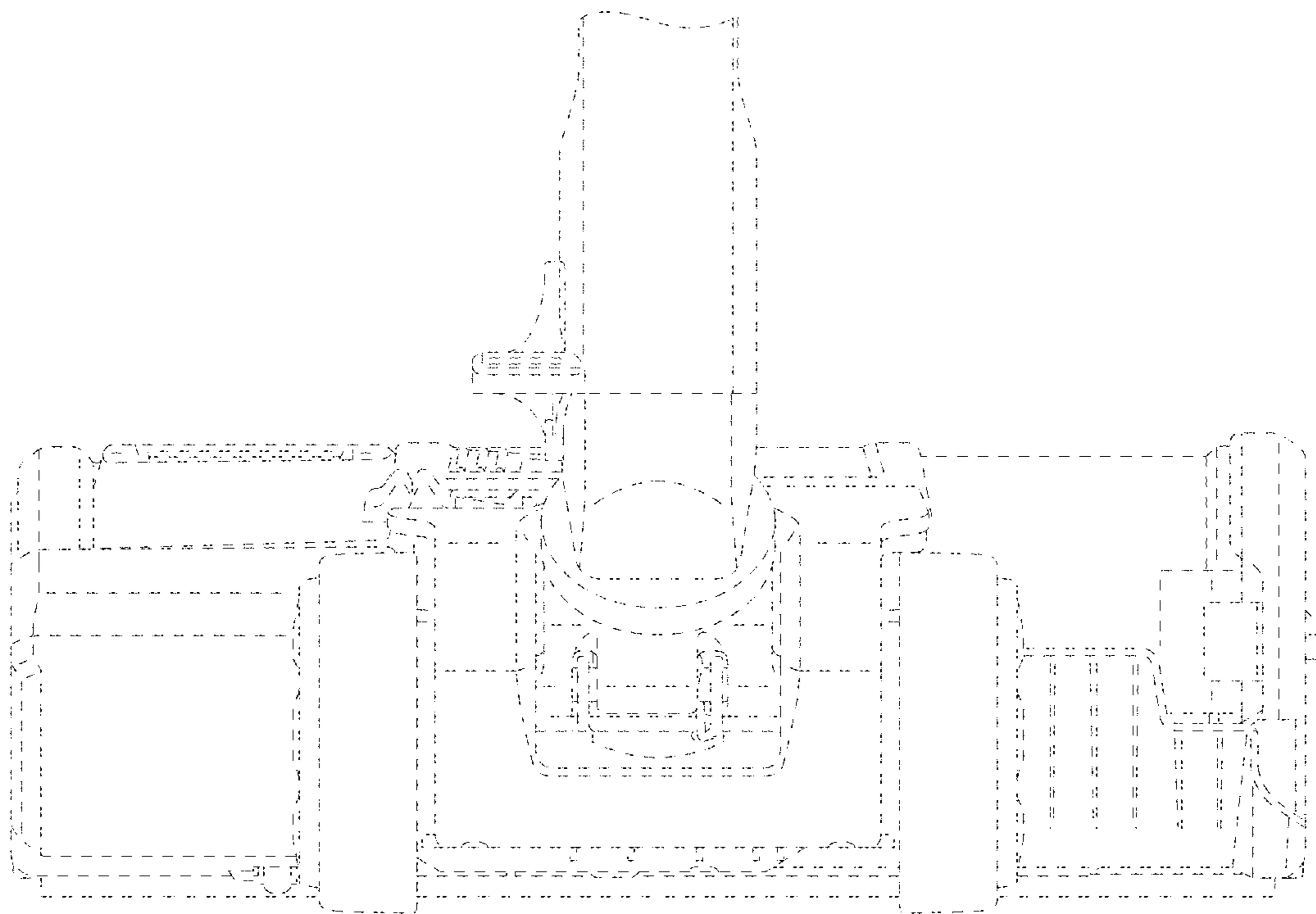


FIG. 3

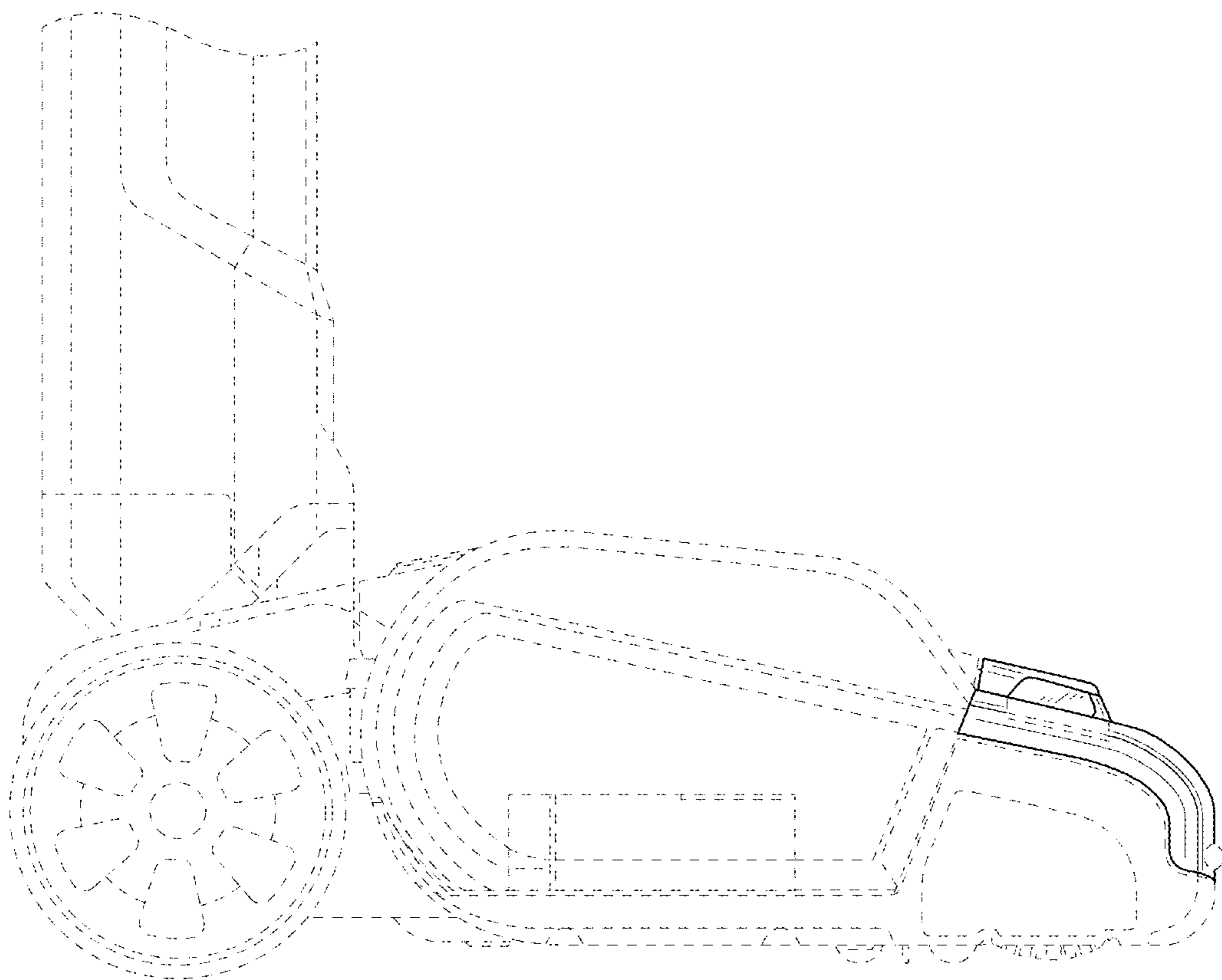


FIG. 4

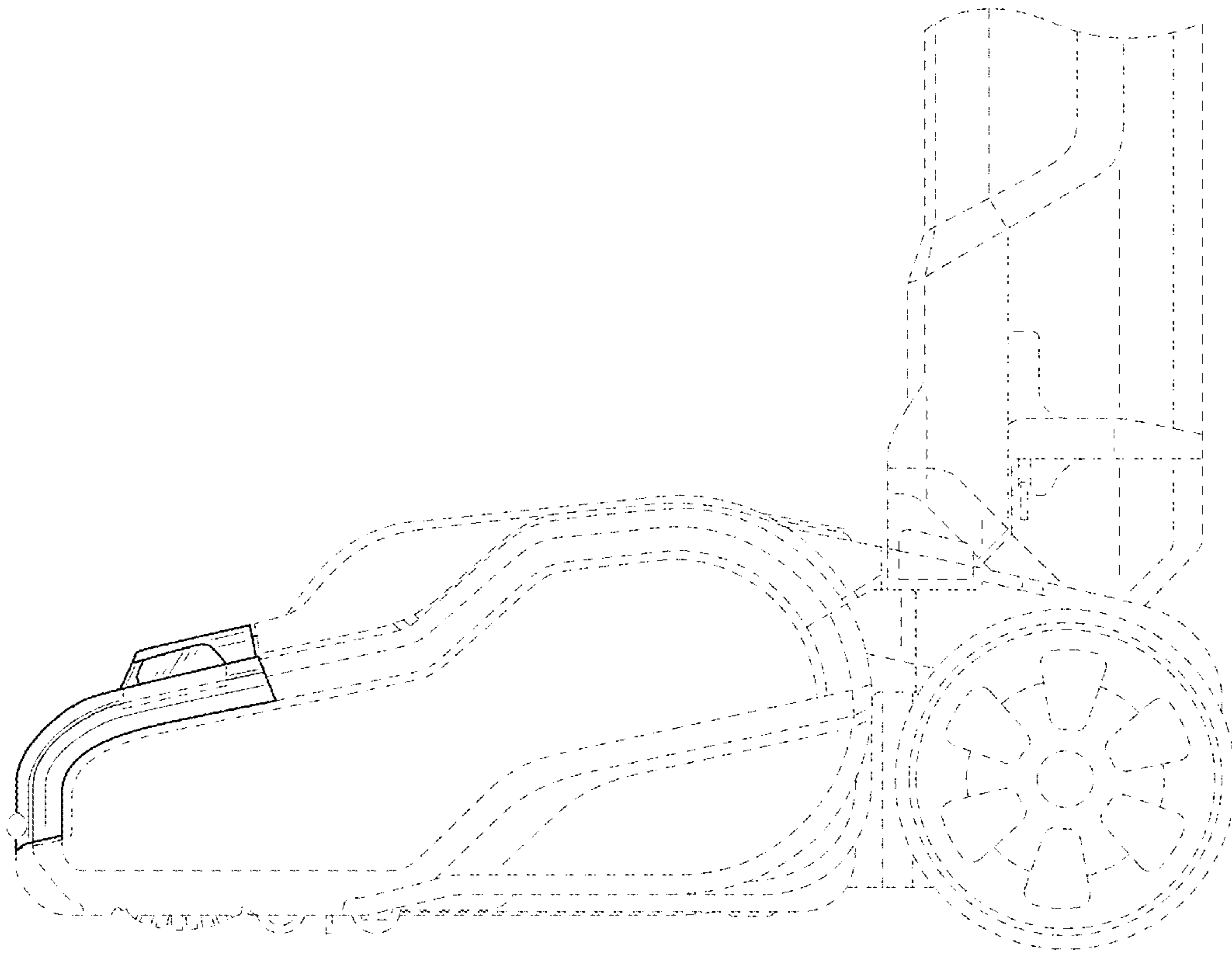


FIG. 5

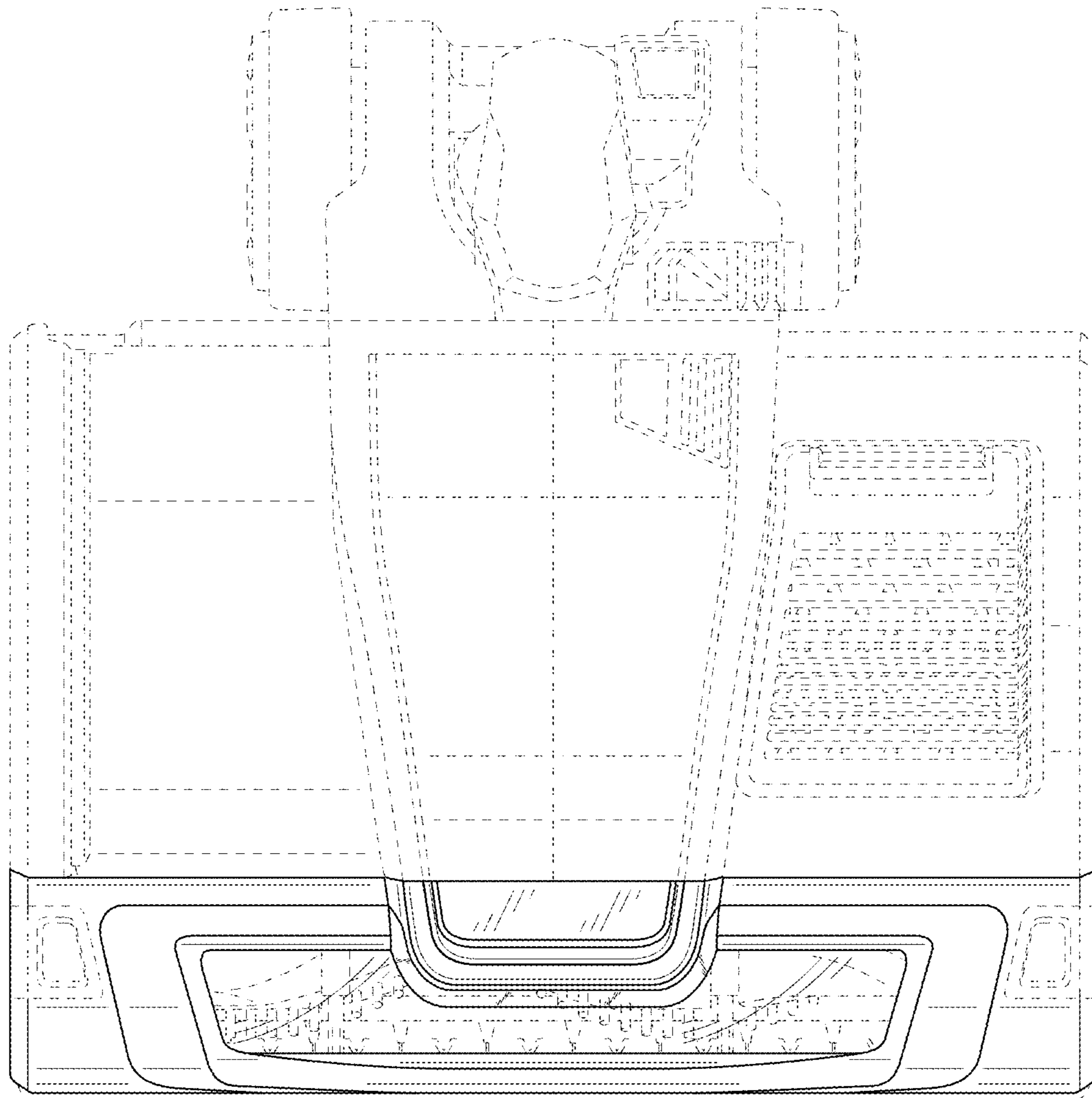


FIG. 6

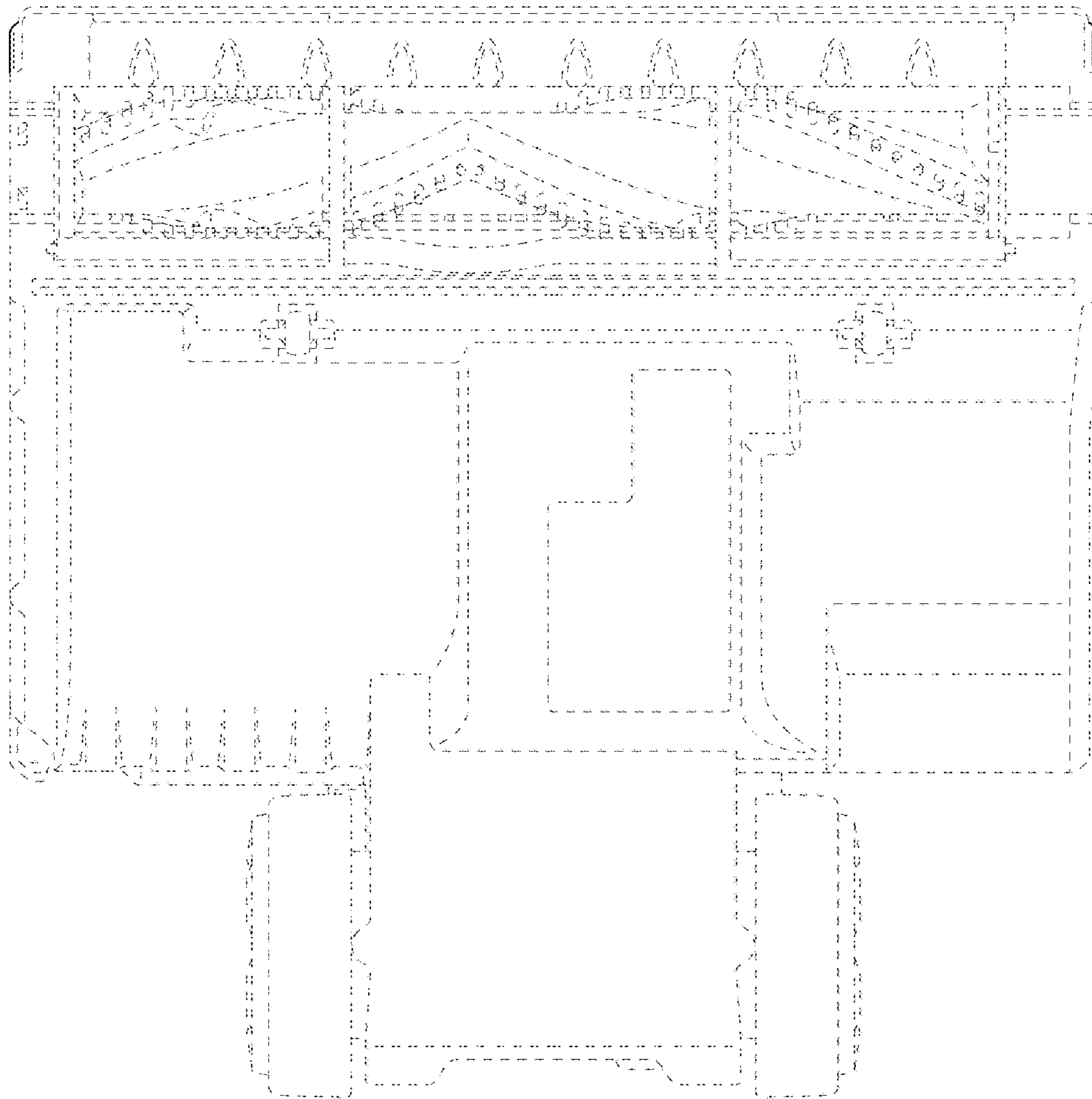


FIG. 7

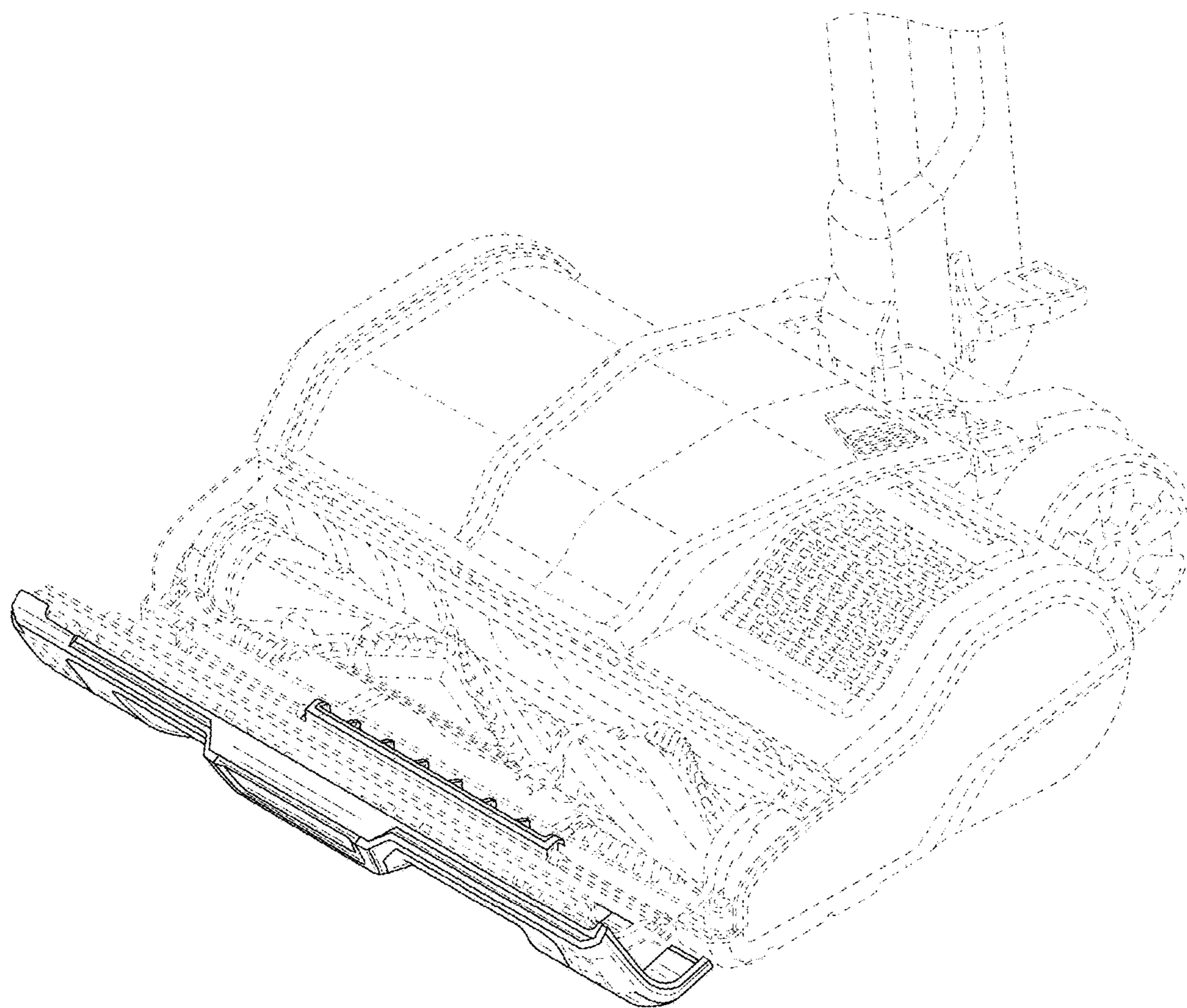


FIG. 8

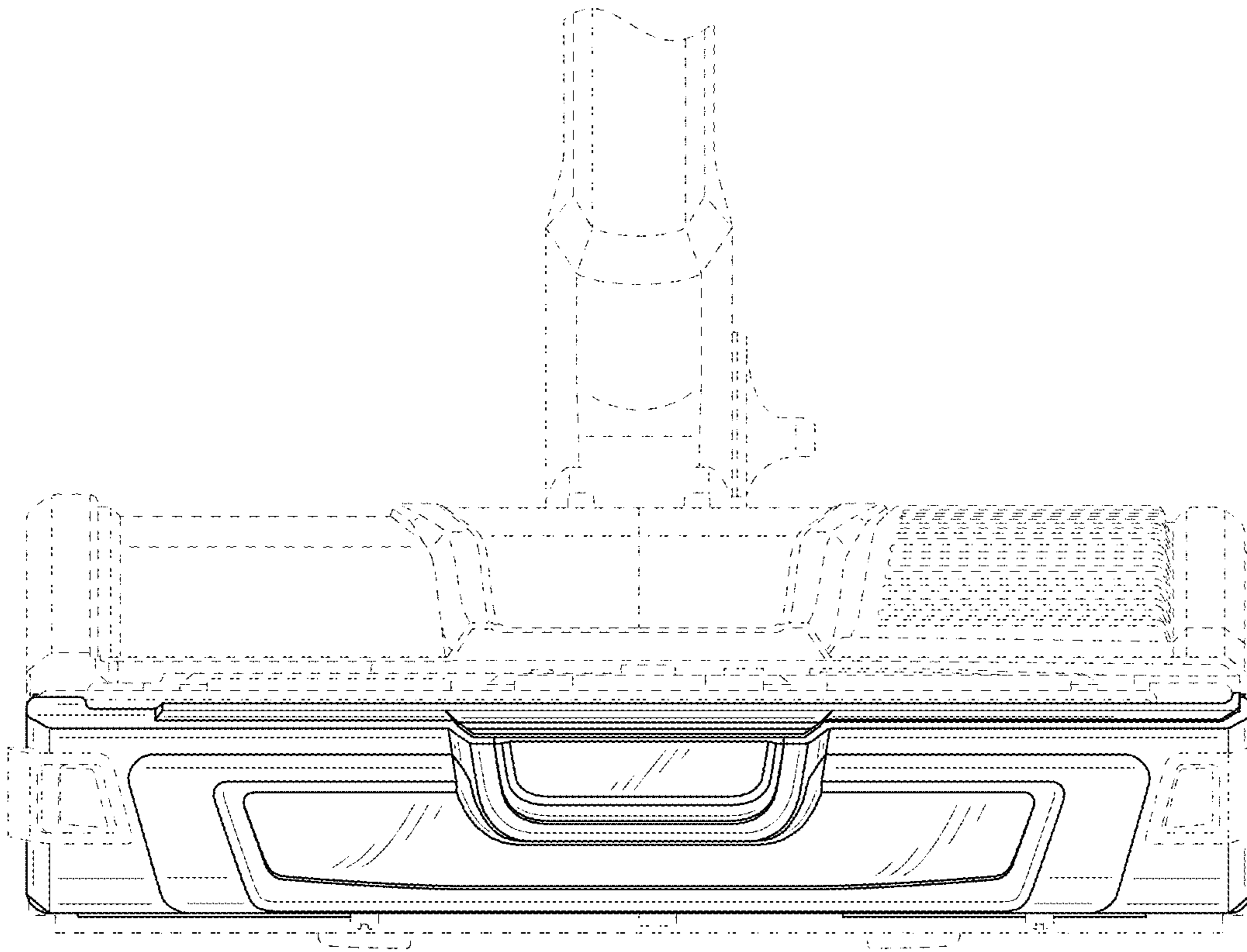


FIG. 9

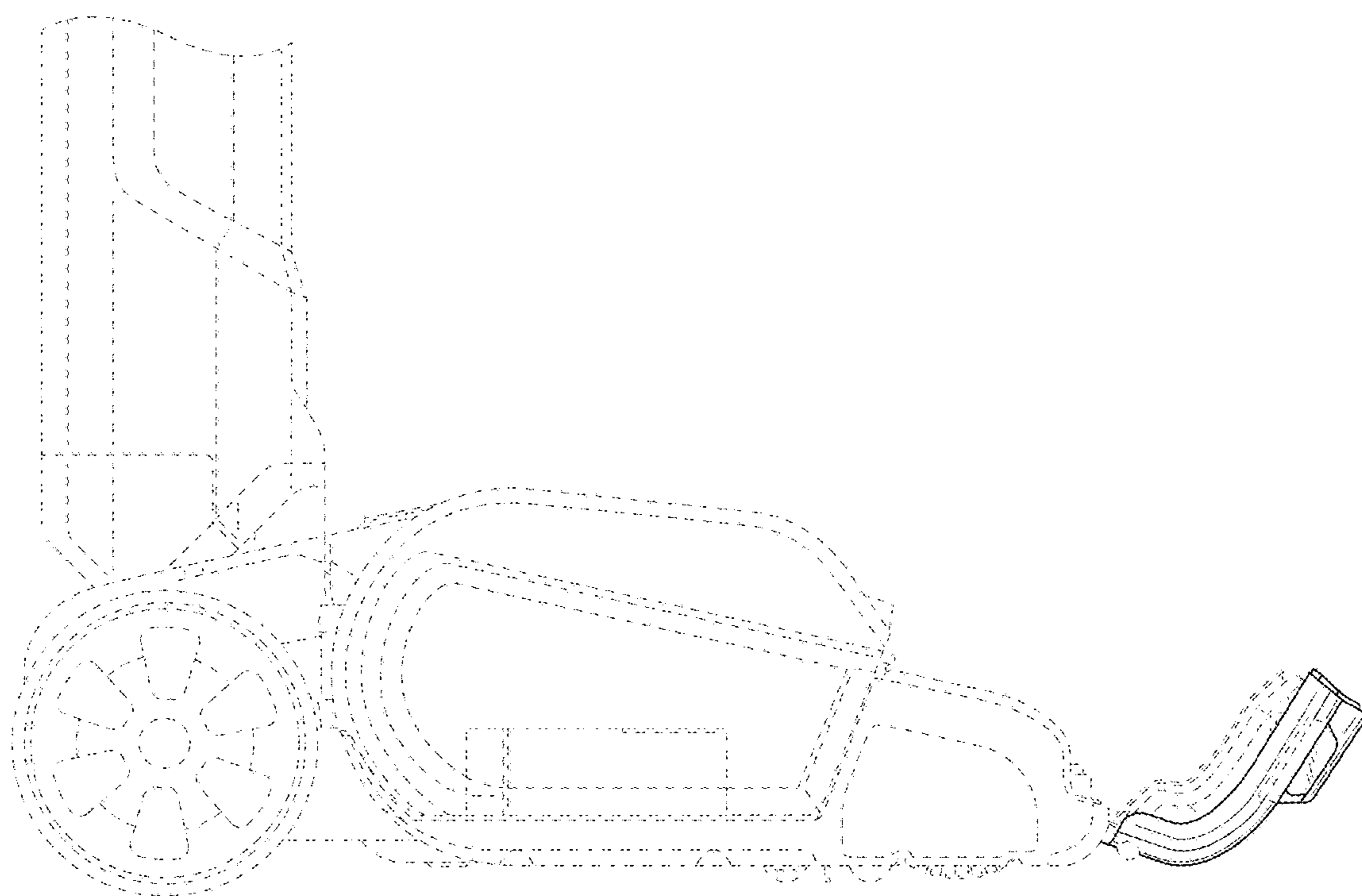


FIG. 10

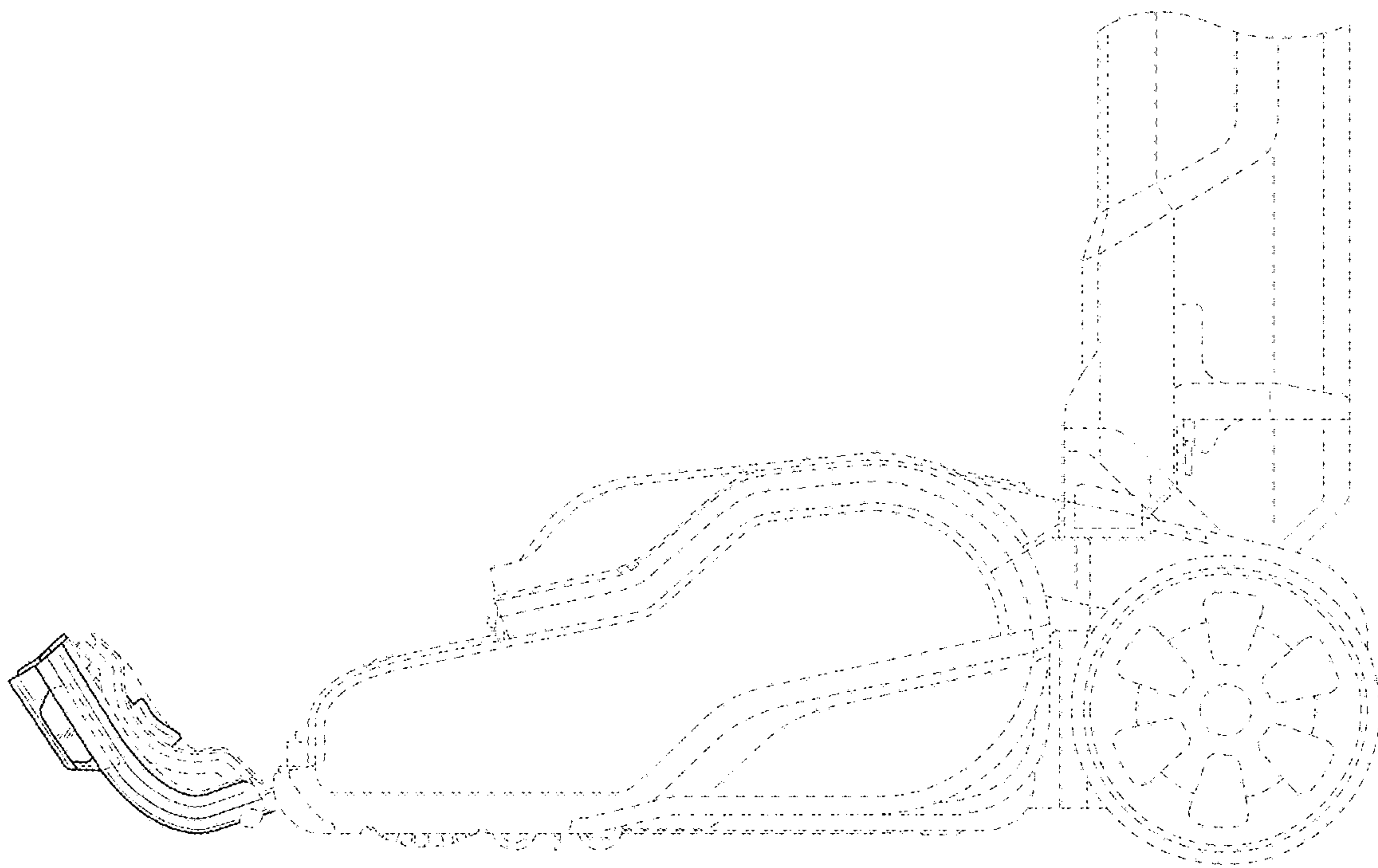


FIG. 11

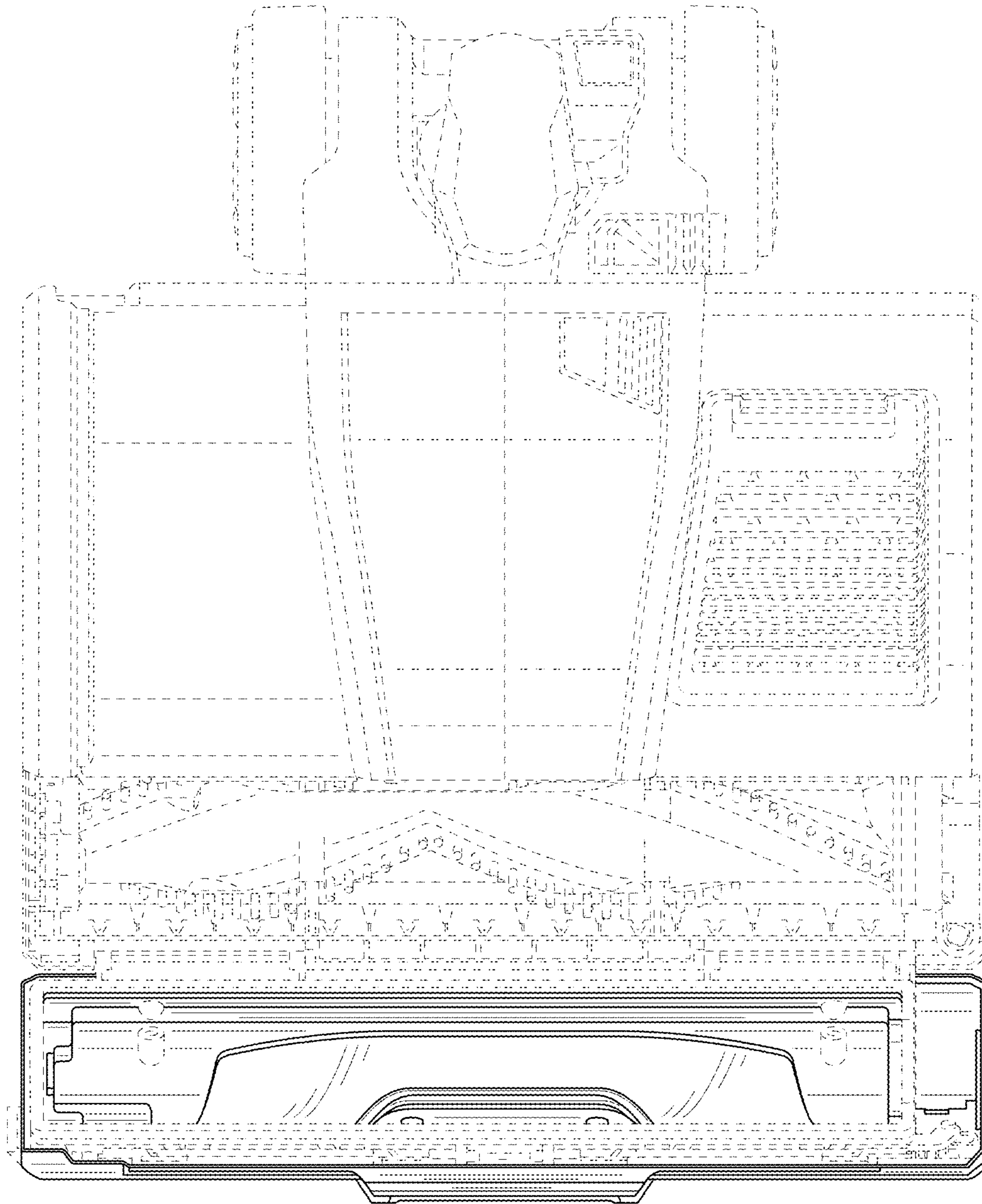


FIG. 12

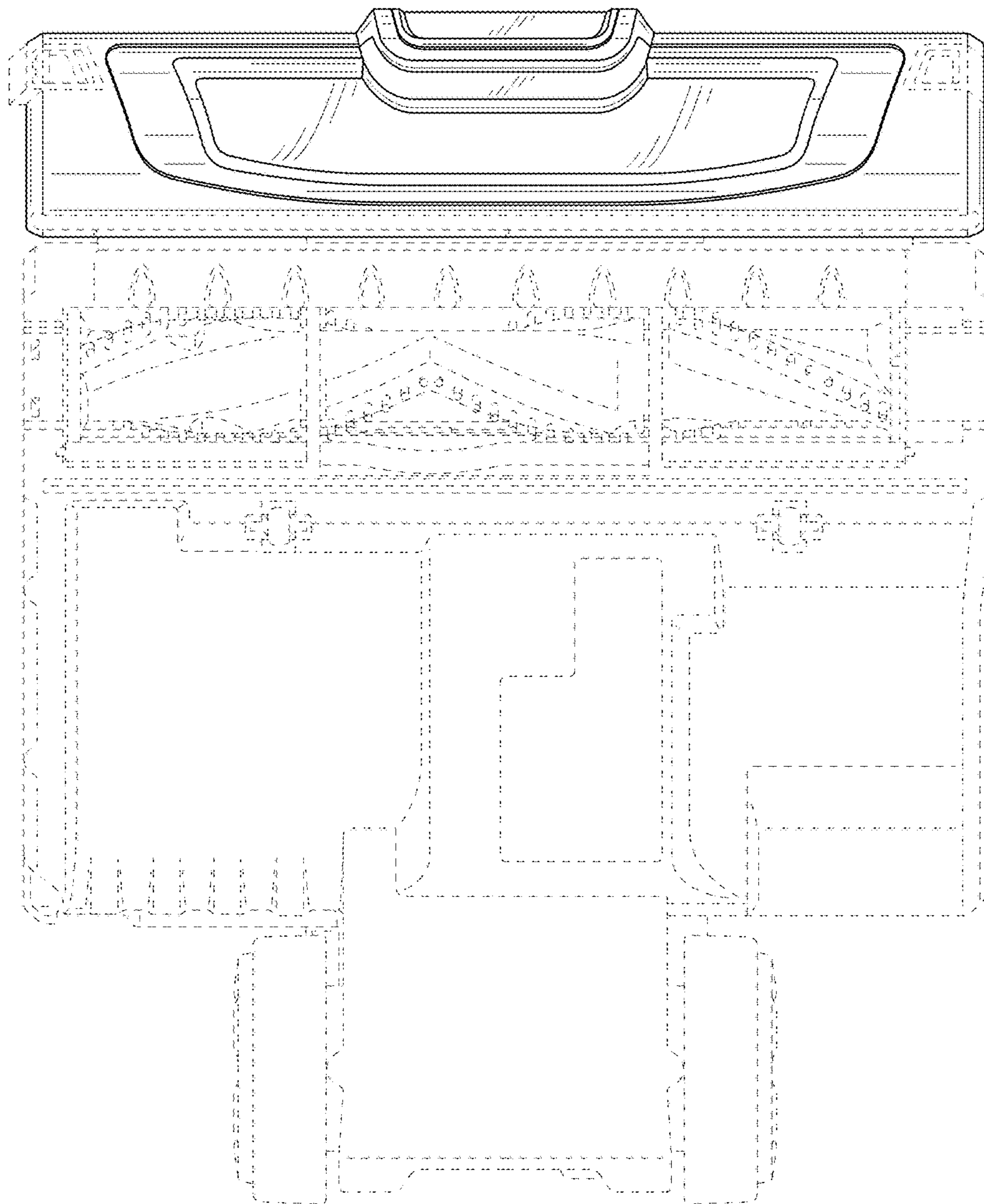


FIG. 13