



US00D781006S

(12) **United States Design Patent**
Jang et al.

(10) **Patent No.:** **US D781,006 S**
(45) **Date of Patent:** **** Mar. 7, 2017**

(54) **WASHING MACHINE**

FOREIGN PATENT DOCUMENTS

(71) Applicant: **Samsung Electronics Co., Ltd.**,
Suwon-si, Gyeonggi-do (KR)

CN 301402813 S 12/2010
KR 300801729 S 6/2015
KR 300801732 S 6/2015

(72) Inventors: **Hayoung Jang**, Seoul (KR); **Kangdo Kim**, Seoul (KR)

OTHER PUBLICATIONS

(73) Assignee: **SAMSUNG ELECTRONICS CO., LTD.**, Gyeonggi-Do (KR)

Modern Design Museum. p. 1 of 1 [online]. [retrieved on Feb. 23, 2016]. Retrieved from the Internet: <URL: http://www.designmuseum.or.kr/sub/sub7_1.asp?mode=view&idx=171>.

(**) Term: **15 Years**

(Continued)

(21) Appl. No.: **29/555,570**

Primary Examiner — Michael A. Pratt

(22) Filed: **Feb. 23, 2016**

Assistant Examiner — Michelle E Wilson

(30) **Foreign Application Priority Data**

(74) *Attorney, Agent, or Firm* — Cantor Colburn, LLP

Aug. 26, 2015 (KR) 30-2015-0042953

(51) **LOC (10) Cl.** **15-05**

(52) **U.S. Cl.**
USPC **D32/6**

(58) **Field of Classification Search**
USPC D32/1, 5-6, 8, 25, 28, 29, 67
CPC D06F 33/02; D06F 39/02; D06F 2204/065;
D06F 25/00; D06F 35/006
See application file for complete search history.

(57) **CLAIM**

The ornamental design for a washing machine, as shown and described.

(56) **References Cited**

U.S. PATENT DOCUMENTS

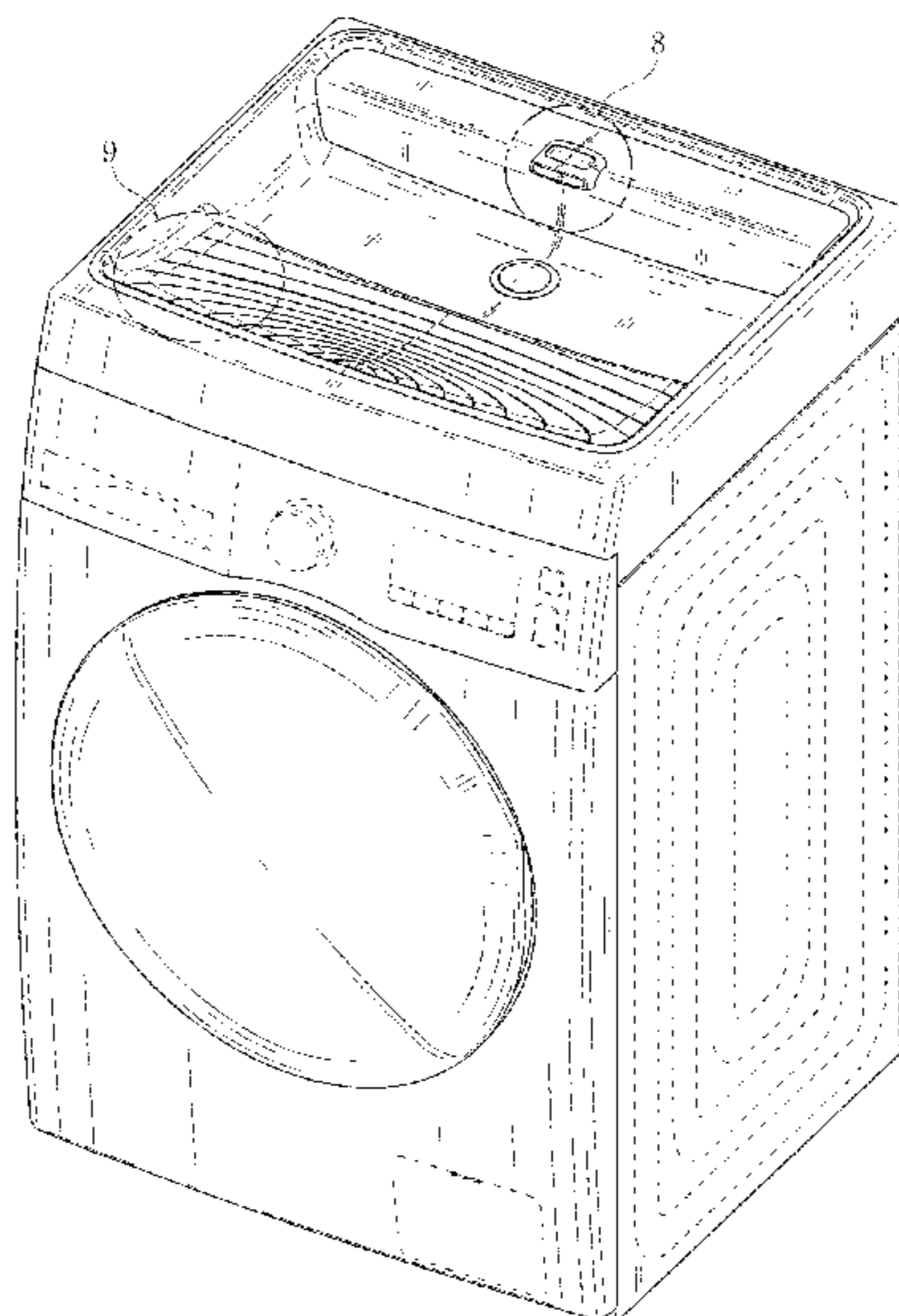
1,556,481 A * 10/1925 St Amour D06F 3/02
68/214
1,592,103 A * 7/1926 Gunuskey D06F 3/00
68/63
1,814,698 A * 7/1931 Huber D06F 1/04
68/233
2,129,079 A * 9/1938 Adams D06F 3/02
68/223

DESCRIPTION

FIG. 1 is a perspective view of a washing machine, showing our new design;
FIG. 2 is a front view thereof;
FIG. 3 is a rear view thereof;
FIG. 4 is a side view thereof;
FIG. 5 is another side view thereof;
FIG. 6 is a top view thereof;
FIG. 7 is a bottom view thereof;
FIG. 8 is an enlarged view of portion 8 shown in FIG. 1; and, FIG. 9 is an enlarged view of portion 9 shown in FIG. 1. The broken lines in the figures illustrating portions of the washing machine are for environmental purposes only and form no part of the claimed design. The dash-dot-dot broken lines encircling enlargement portions of the washing machine form no part of the claimed design.

(Continued)

1 Claim, 9 Drawing Sheets



(56)

References Cited

U.S. PATENT DOCUMENTS

2,431,539 A * 11/1947 Campanell D06F 3/02
248/27.5
D153,319 S * 4/1949 Rabinowitz D32/67
2,504,819 A * 4/1950 Flores D06F 3/02
68/224
2,704,448 A * 3/1955 Pettit D06F 3/02
68/229
D189,496 S * 12/1960 Kinyon D32/67
D193,208 S * 7/1962 Graham D32/67
3,664,160 A * 5/1972 Muniz D06F 3/00
68/224
D235,001 S * 4/1975 Sunday D32/67
D235,002 S * 4/1975 Sunday D32/67
D237,448 S * 11/1975 Sunday D32/67
D254,230 S * 2/1980 Sanger D32/67
D259,993 S * 7/1981 Kunze D32/67
4,756,439 A * 7/1988 Perock D06F 1/04
15/264
6,169,237 B1 * 1/2001 Sanders G10D 13/06
84/102
D549,915 S * 8/2007 Pastrana-Rangel D32/67

OTHER PUBLICATIONS

Samsung CE Korea. pp. 1-26 [online]. [retrieved on Feb. 23, 2016].
Retrieved from the Internet: <URL: <http://samsungcekorea.com/m/post/2607>.

* cited by examiner

FIG. 1

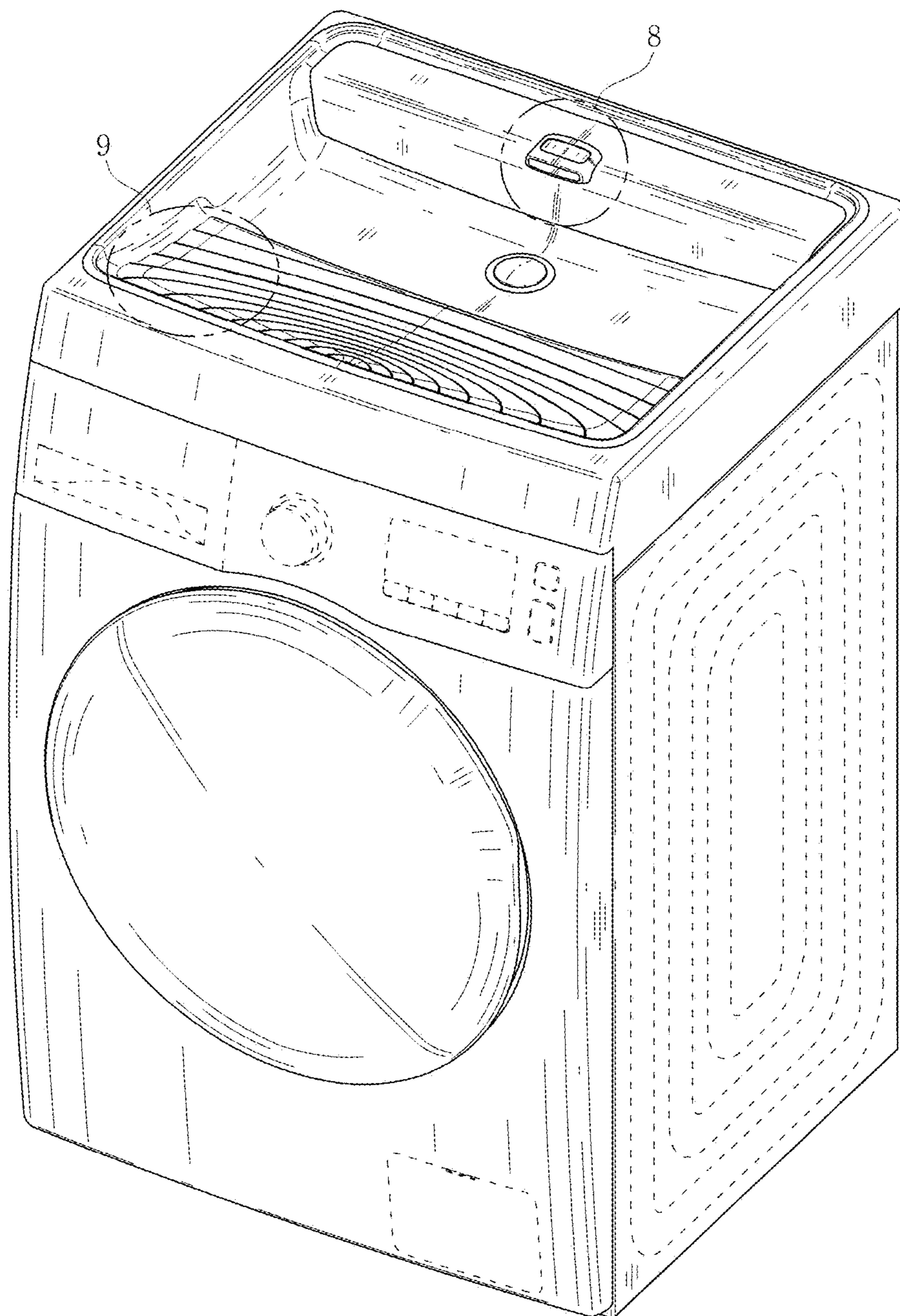


FIG. 2

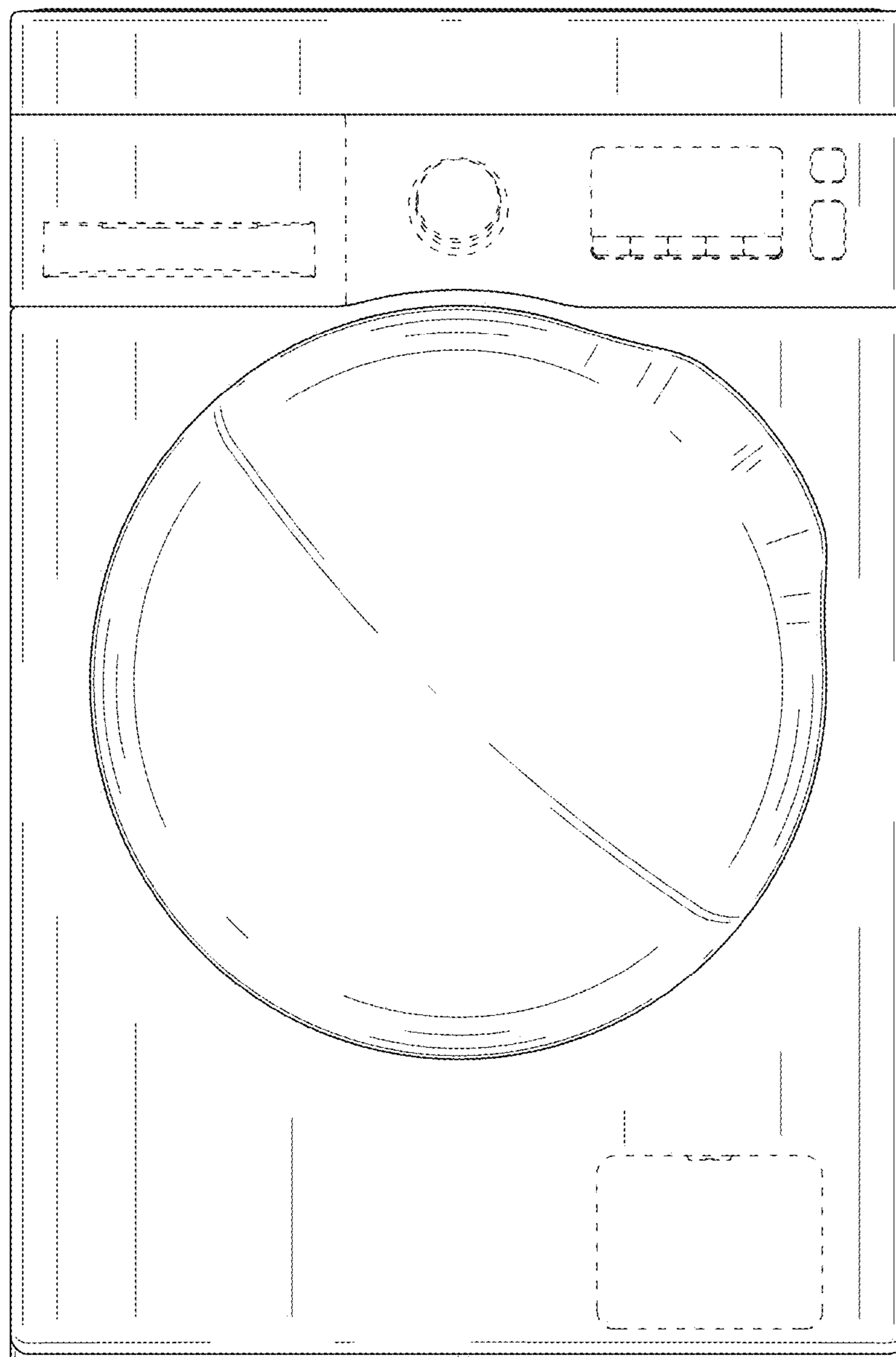


FIG. 3

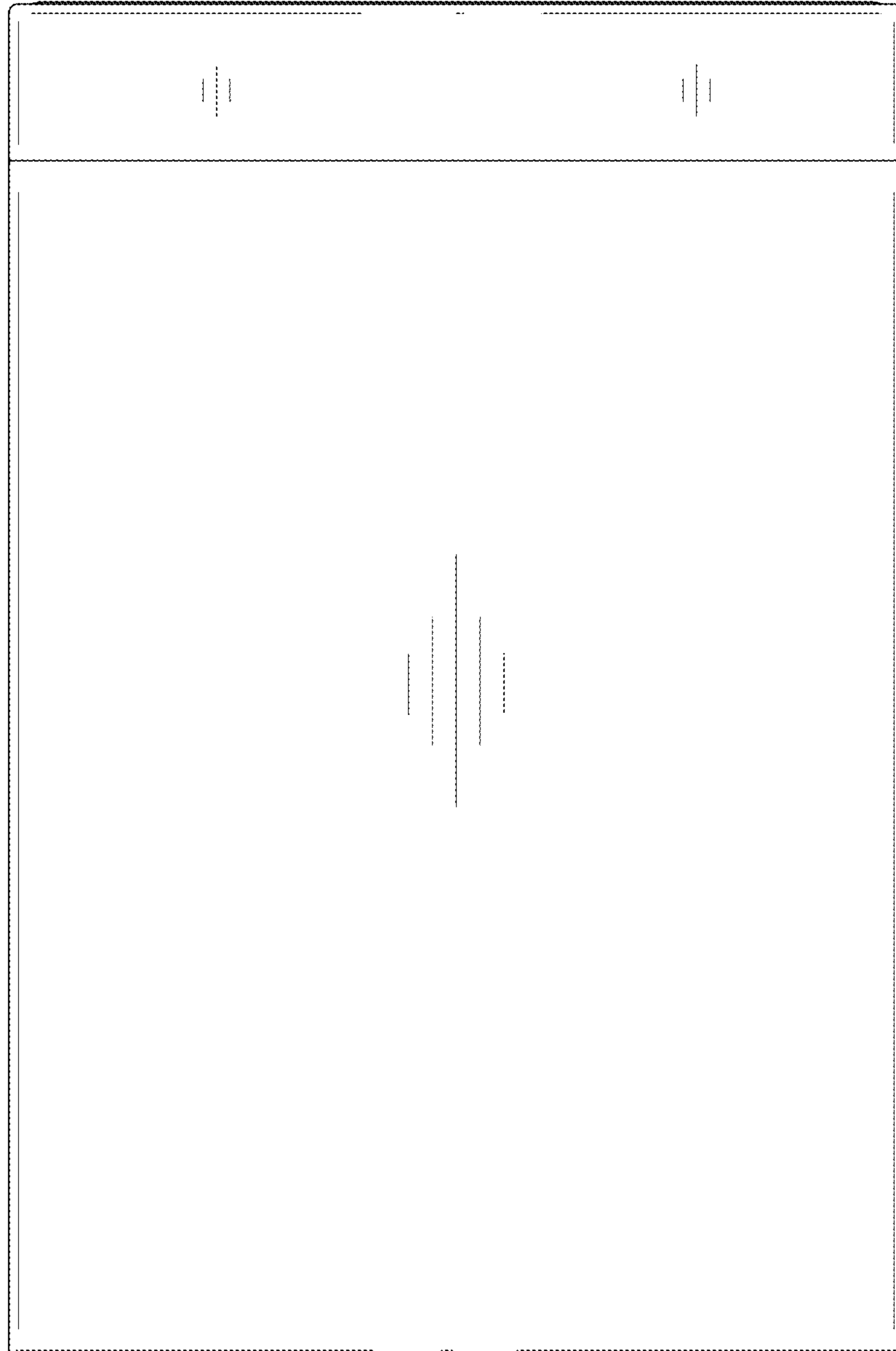


FIG. 4

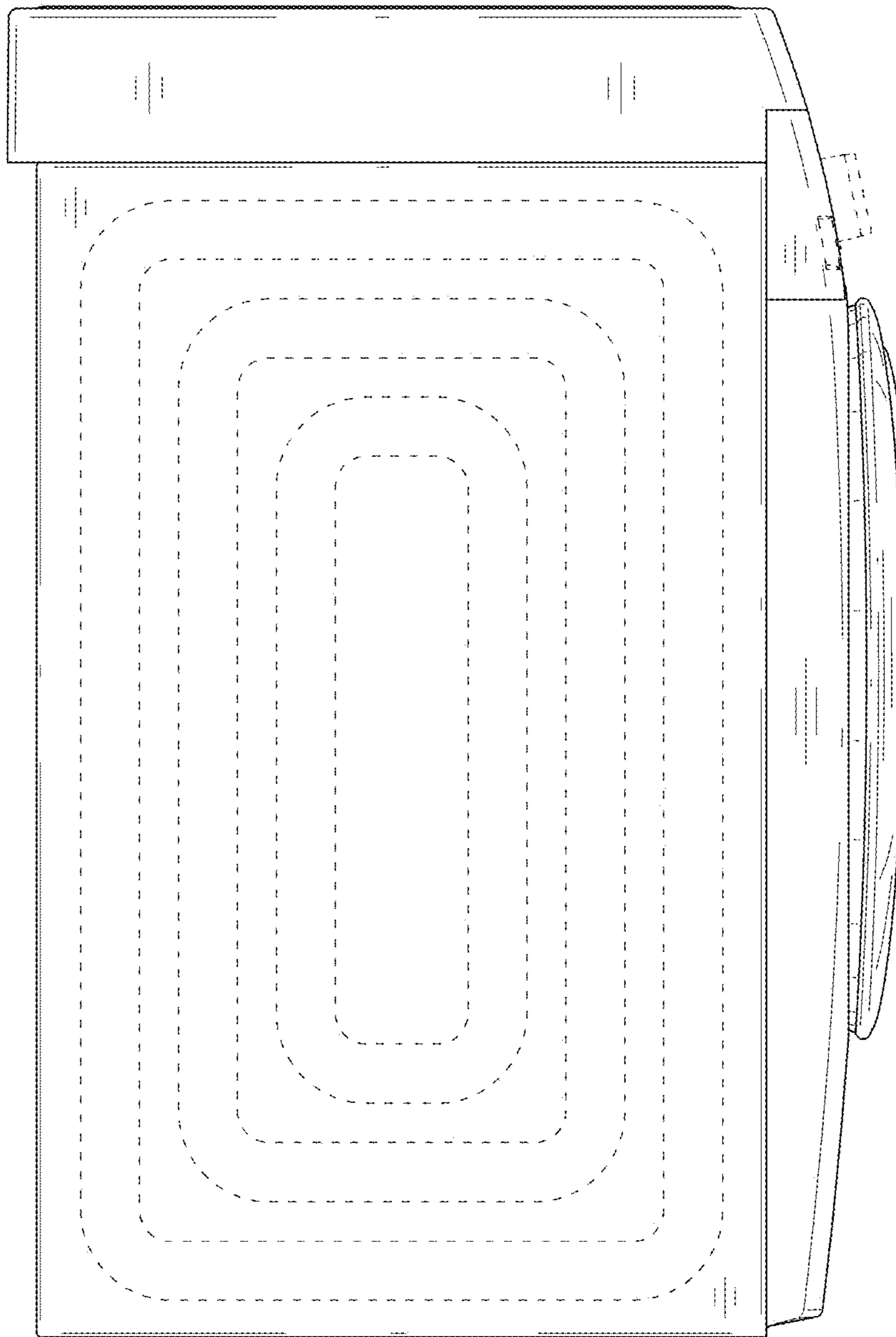


FIG. 5

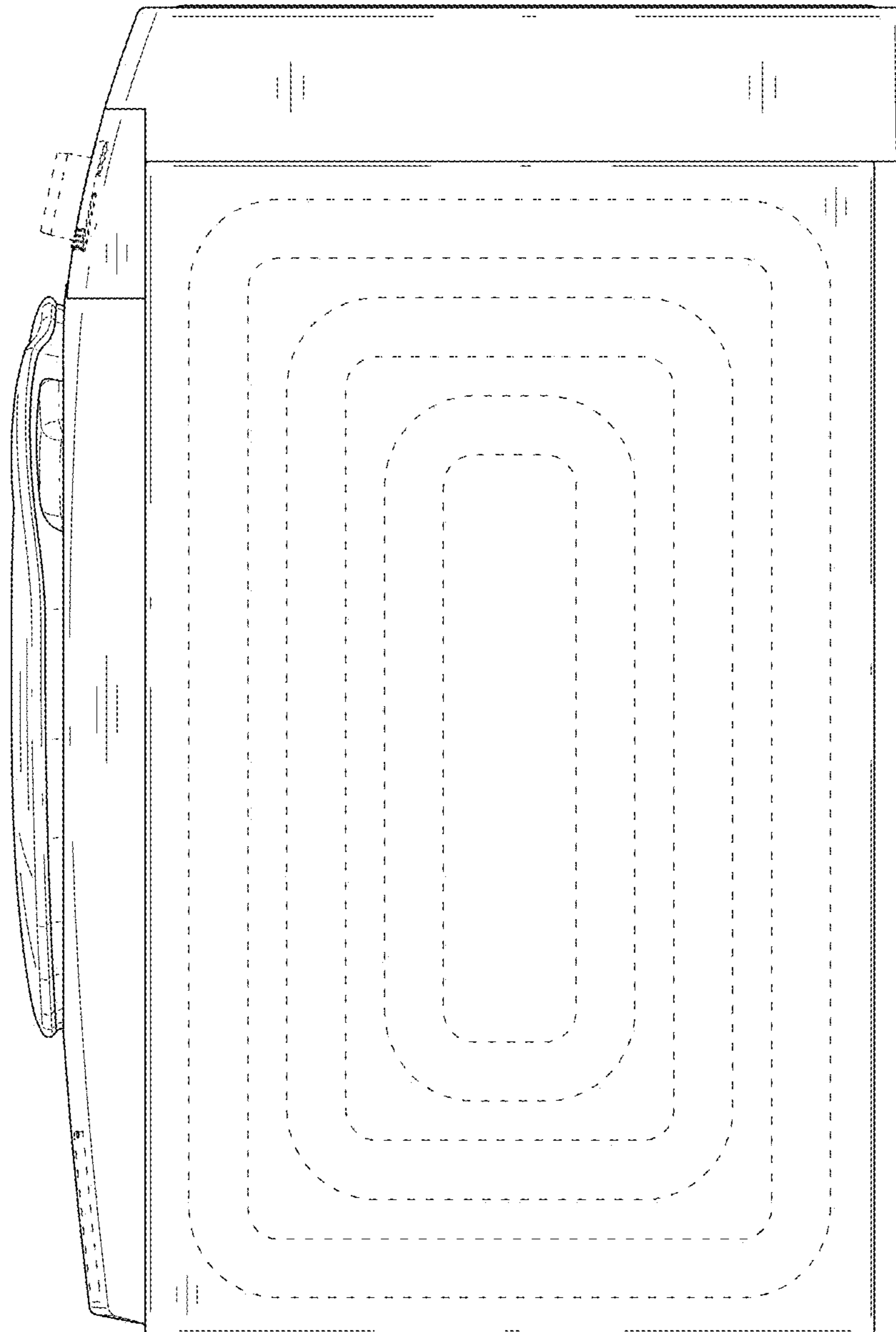


FIG. 6

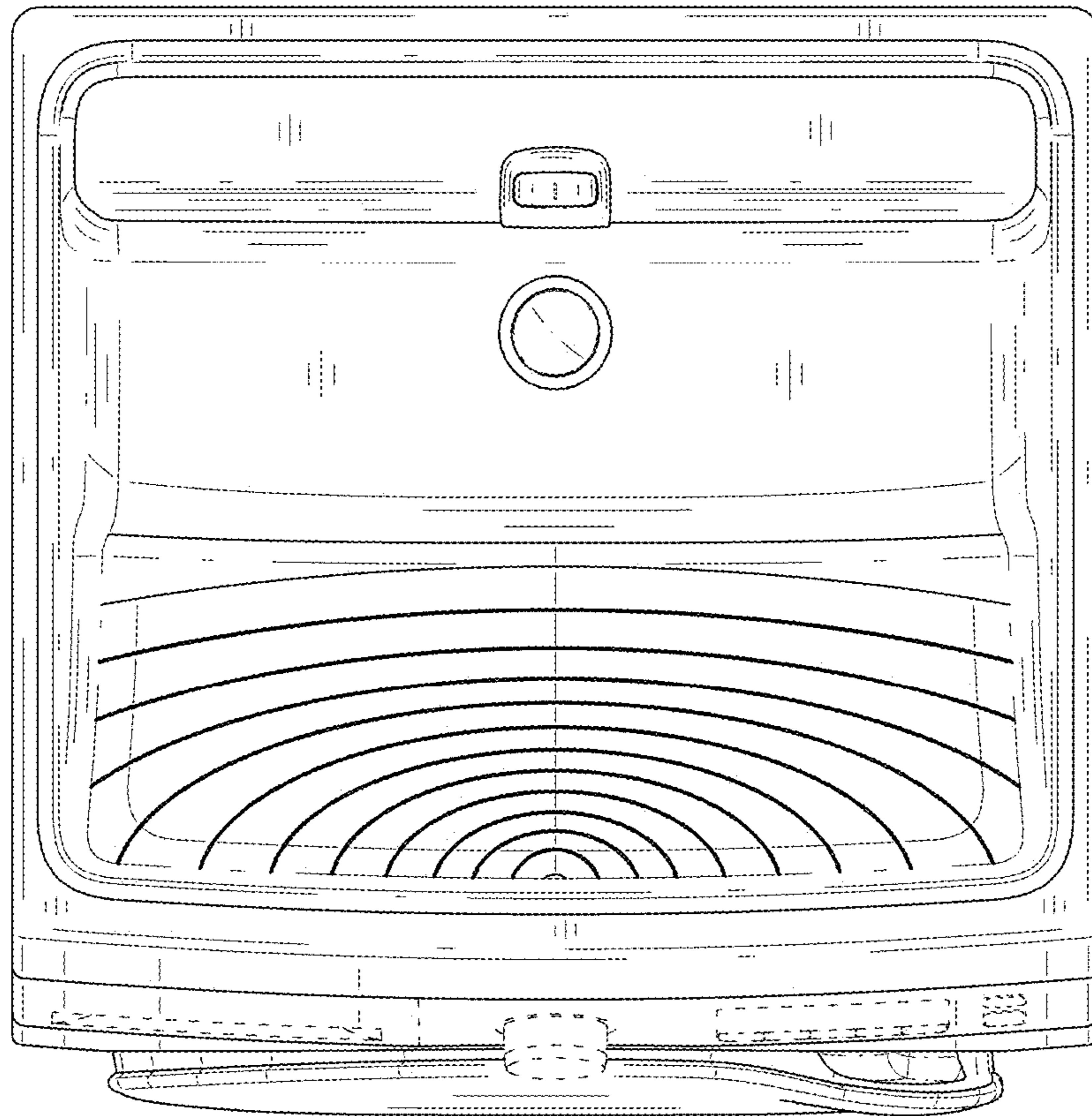


FIG. 7

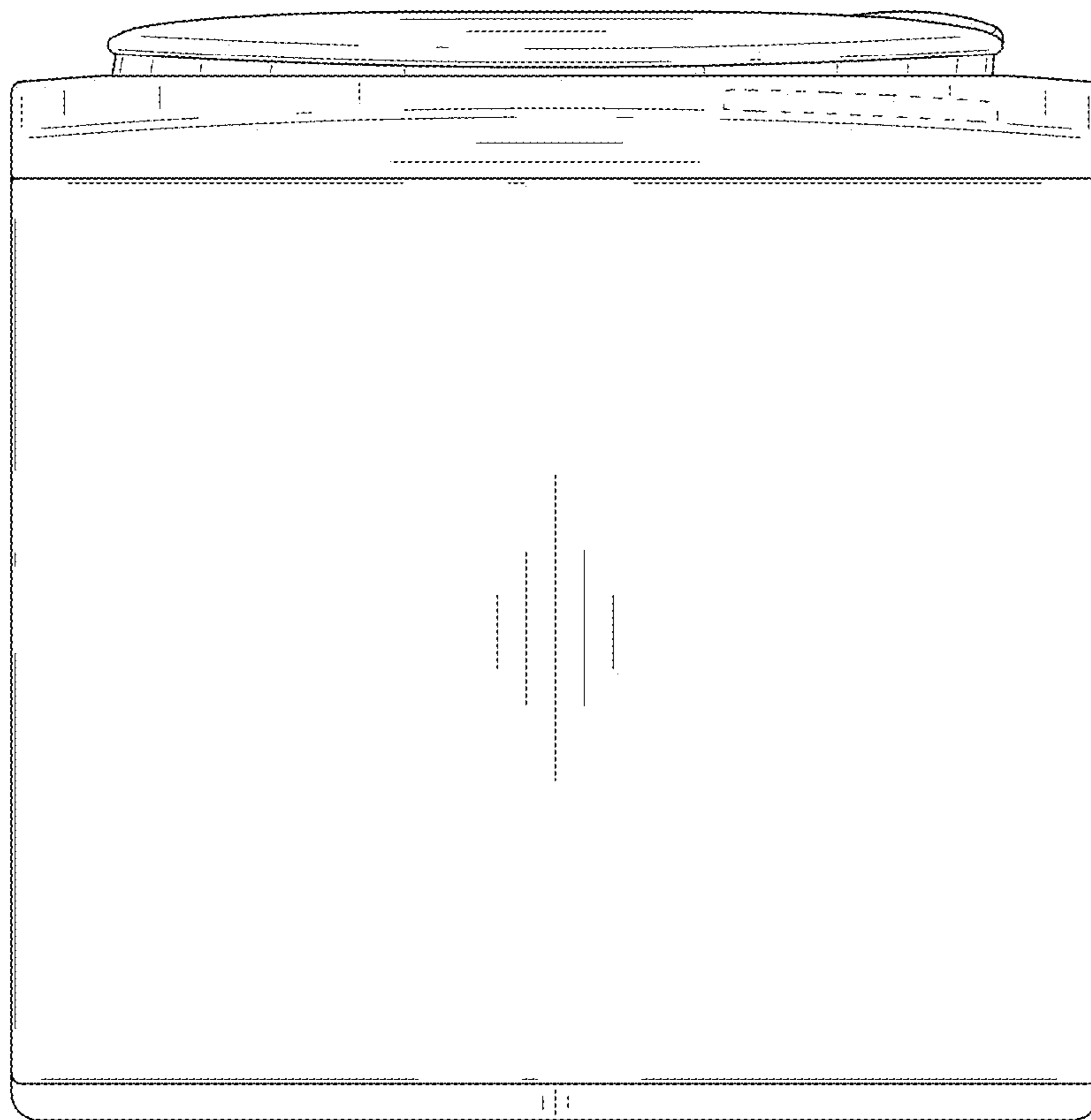


FIG. 8

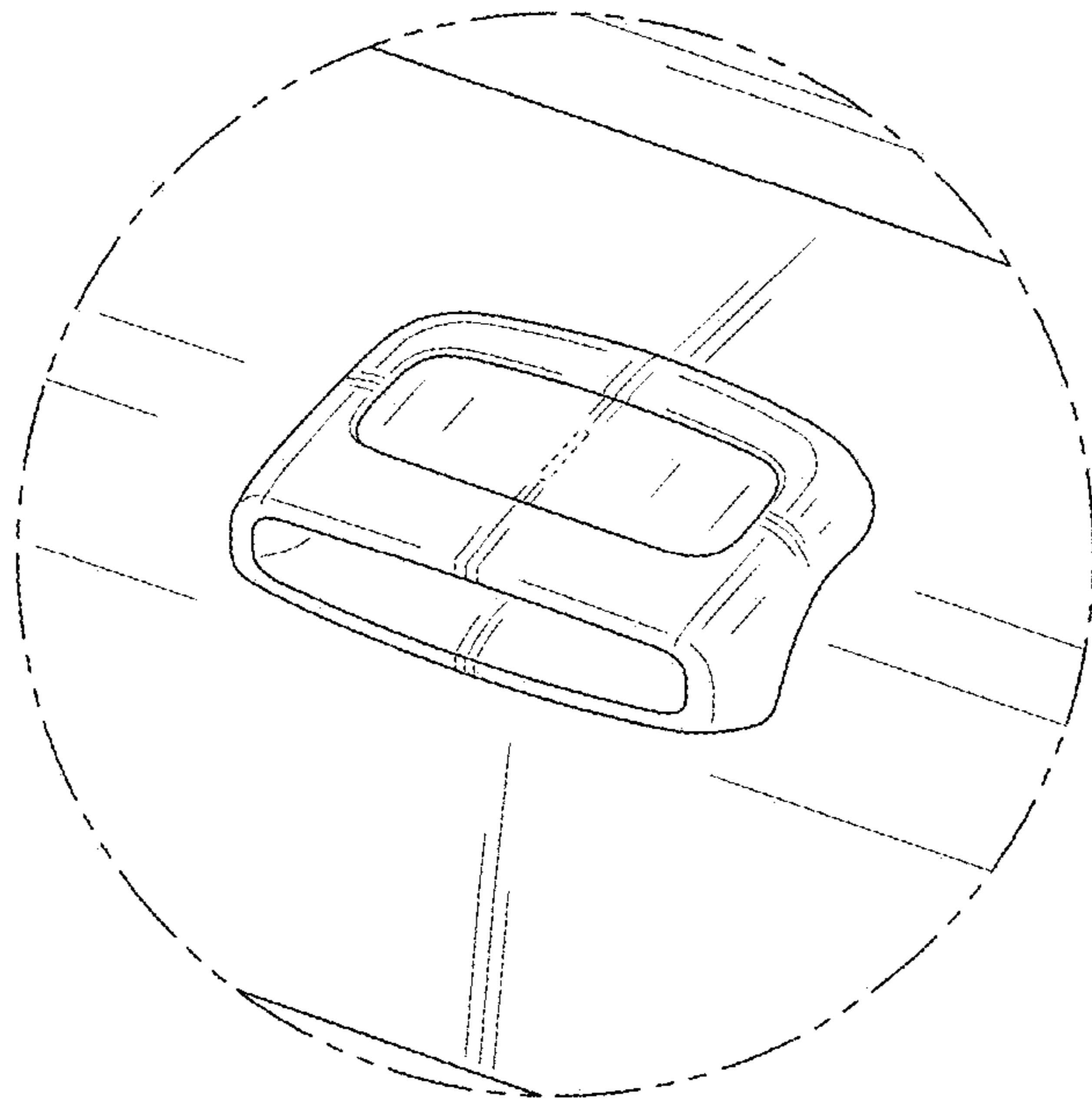


FIG. 9

