



US00D781005S

(12) **United States Design Patent**  
**Jang et al.**

(10) **Patent No.:** **US D781,005 S**  
(45) **Date of Patent:** **\*\* Mar. 7, 2017**

(54) **WASHING MACHINE**

FOREIGN PATENT DOCUMENTS

(71) Applicant: **Samsung Electronics Co., Ltd.**,  
Suwon-si, Gyeonggi-do (KR)

CN 301402813 S 12/2010  
KR 300801729 S 6/2015  
KR 300801732 S 6/2015

(72) Inventors: **Hayoung Jang**, Seoul (KR); **Kangdoon Kim**, Seoul (KR)

OTHER PUBLICATIONS

(73) Assignee: **SAMSUNG ELECTRONICS CO., LTD.**, Gyeonggi-Do (KR)

Modern Design Museum. p. 1 of 1 [online]. [retrieved on Feb. 23, 2016]. Retrieved from the Internet: <URL: [http://www.designmuseum.or.kr/sub/sub7\\_1.asp?mode=view&idx=171](http://www.designmuseum.or.kr/sub/sub7_1.asp?mode=view&idx=171)>.

(Continued)

(\*\*) Term: **15 Years**

*Primary Examiner* — Michael A. Pratt

(21) Appl. No.: **29/555,565**

*Assistant Examiner* — Michelle E Wilson

(22) Filed: **Feb. 23, 2016**

(74) *Attorney, Agent, or Firm* — Cantor Colburn, LLP

(30) **Foreign Application Priority Data**

(57) **CLAIM**

The ornamental design for a washing machine, as shown and described.

Aug. 26, 2015 (KR) ..... 30-2015-0042952

**DESCRIPTION**

(51) **LOC (10) Cl.** ..... **15-05**

(52) **U.S. Cl.**

USPC ..... **D32/6**

(58) **Field of Classification Search**

USPC ..... D32/1, 5-6, 8, 25, 28, 29, 67

CPC .... D06F 33/02; D06F 39/02; D06F 2204/065;

D06F 25/00; D06F 35/006

See application file for complete search history.

(56) **References Cited**

U.S. PATENT DOCUMENTS

1,556,481 A \* 10/1925 St Amour ..... D06F 3/02

68/214

1,592,103 A \* 7/1926 Gunuskey ..... D06F 3/00

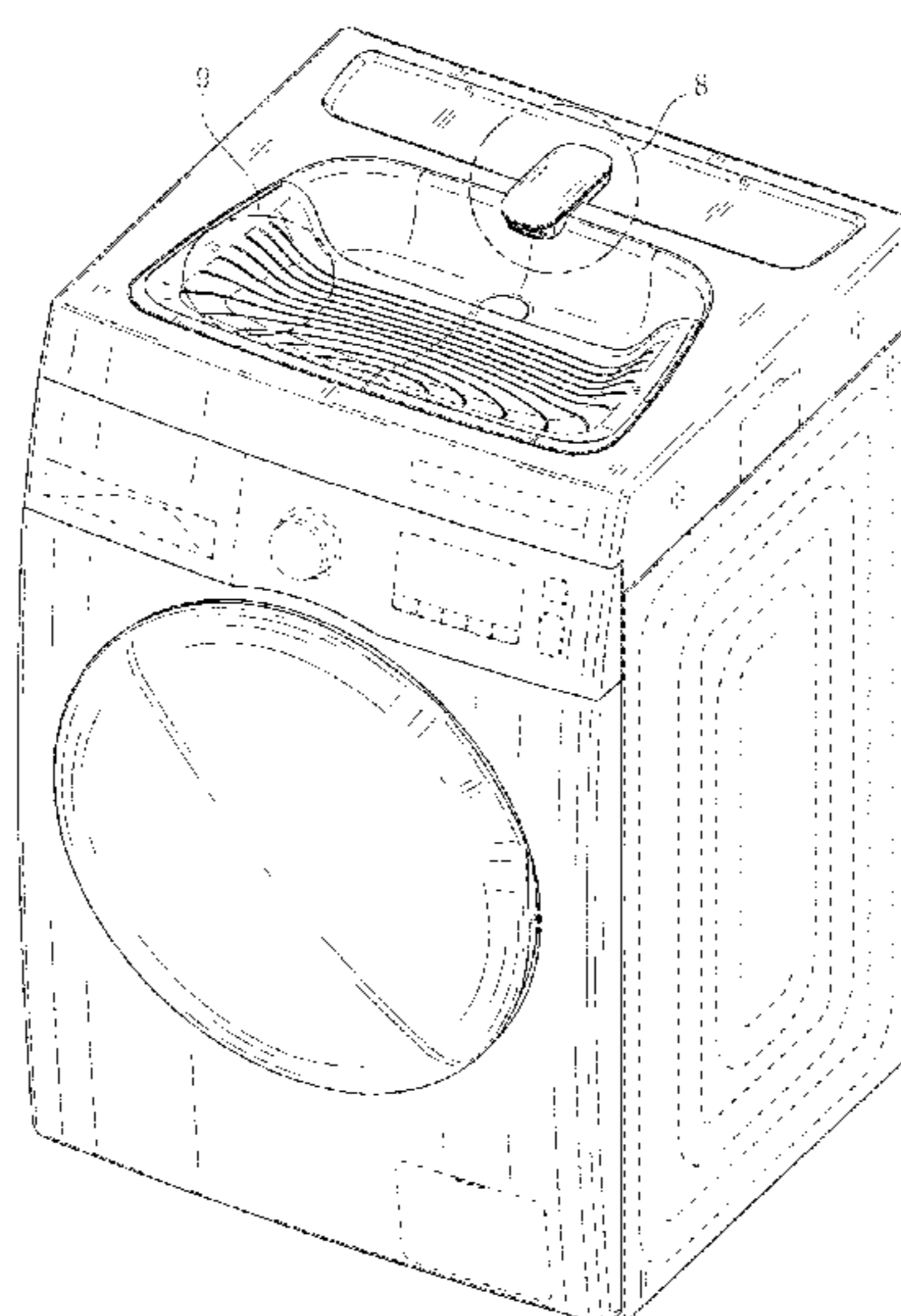
68/63

1,814,698 A \* 7/1931 Huber ..... D06F 1/04

68/233

(Continued)

**1 Claim, 10 Drawing Sheets**



(56)

**References Cited**

U.S. PATENT DOCUMENTS

2,129,079 A \* 9/1938 Adams ..... D06F 3/02  
68/223  
2,431,539 A \* 11/1947 Campanell ..... D06F 3/02  
248/27.5  
D153,319 S \* 4/1949 Rabinowitz ..... D32/67  
2,504,819 A \* 4/1950 Flores ..... D06F 3/02  
68/224  
2,704,448 A \* 3/1955 Pettit ..... D06F 3/02  
68/229  
D189,496 S \* 12/1960 Kinyon ..... D32/67  
D193,208 S \* 7/1962 Graham ..... D32/67  
3,664,160 A \* 5/1972 Muniz ..... D06F 3/00  
68/224  
D235,001 S \* 4/1975 Sunday ..... D32/67  
D235,002 S \* 4/1975 Sunday ..... D32/67  
D237,448 S \* 11/1975 Sunday ..... D32/67  
D254,230 S \* 2/1980 Sanger ..... D32/67  
D259,993 S \* 7/1981 Kunze ..... D32/67  
4,756,439 A \* 7/1988 Perock ..... D06F 1/04  
15/264  
6,169,237 B1 \* 1/2001 Sanders ..... G10D 13/06  
84/102  
D549,915 S \* 8/2007 Pastrana-Rangel ..... D32/67

OTHER PUBLICATIONS

Samsung CE Korea. pp. 1-26 [online]. [retrieved on Feb. 23, 2016].  
Retrieved from the Internet: <URL: <http://samsungcekorea.com/m/post/2607>>.

\* cited by examiner

FIG. 1

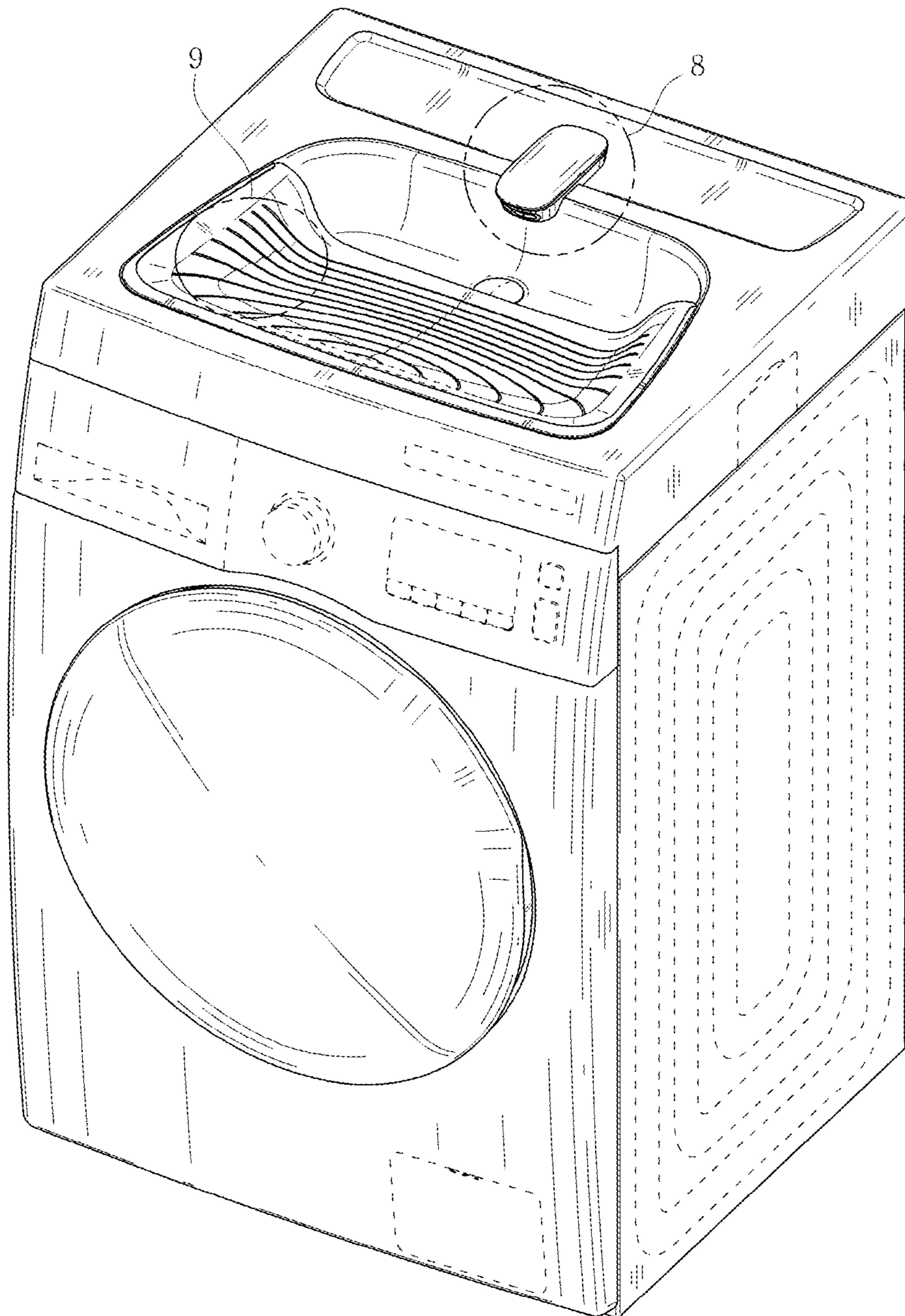


FIG. 2

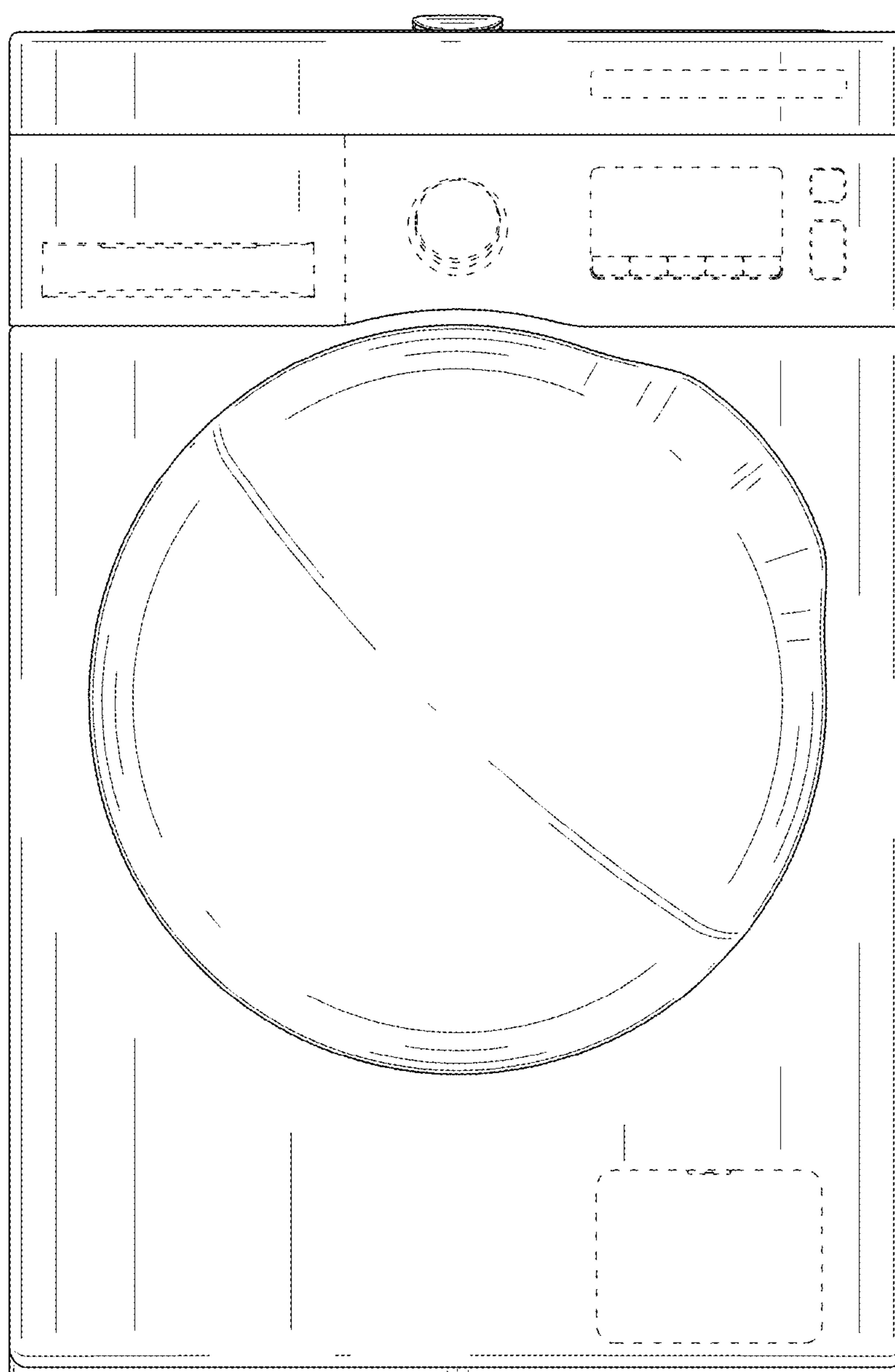


FIG. 3

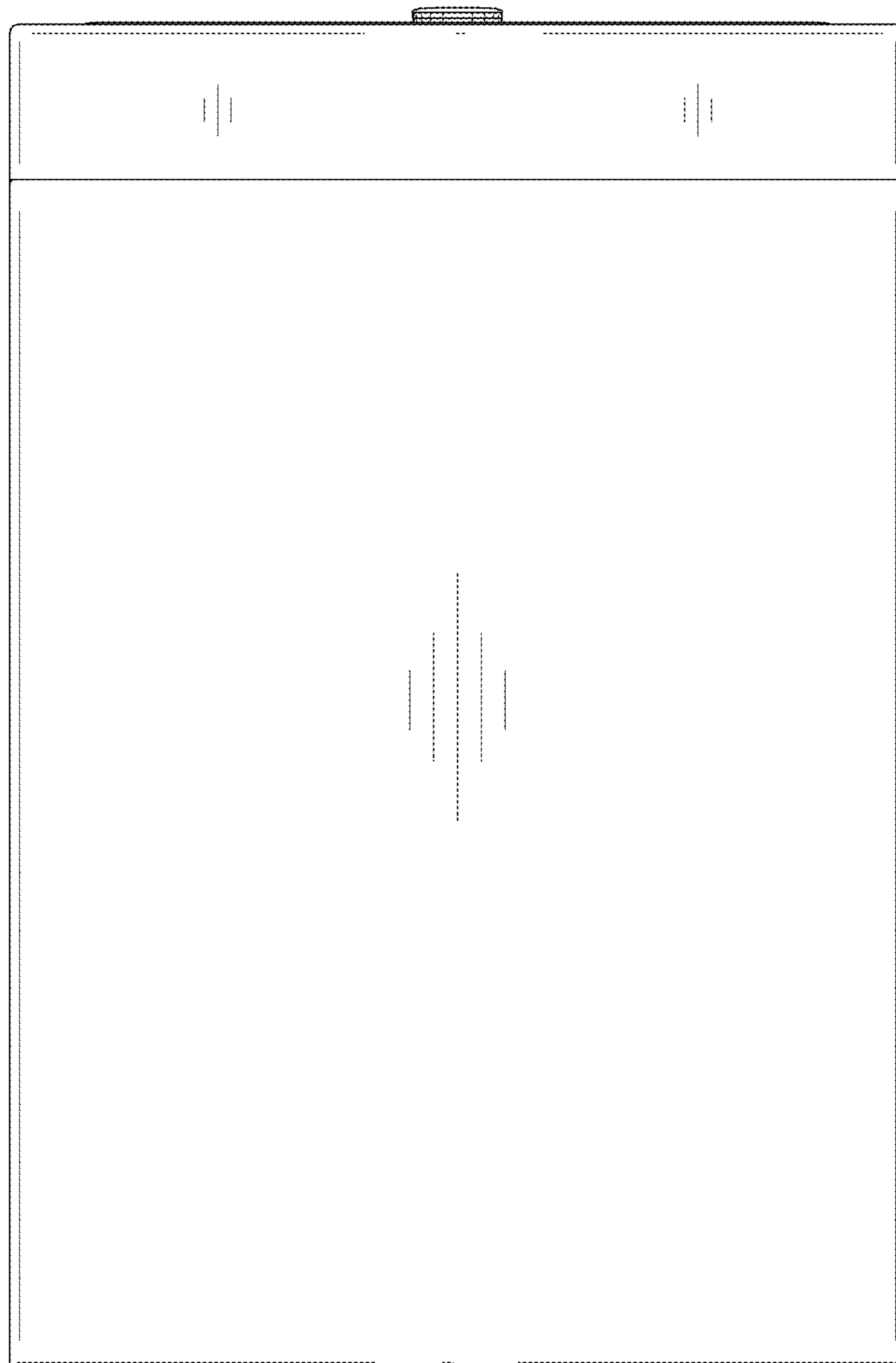




FIG. 4

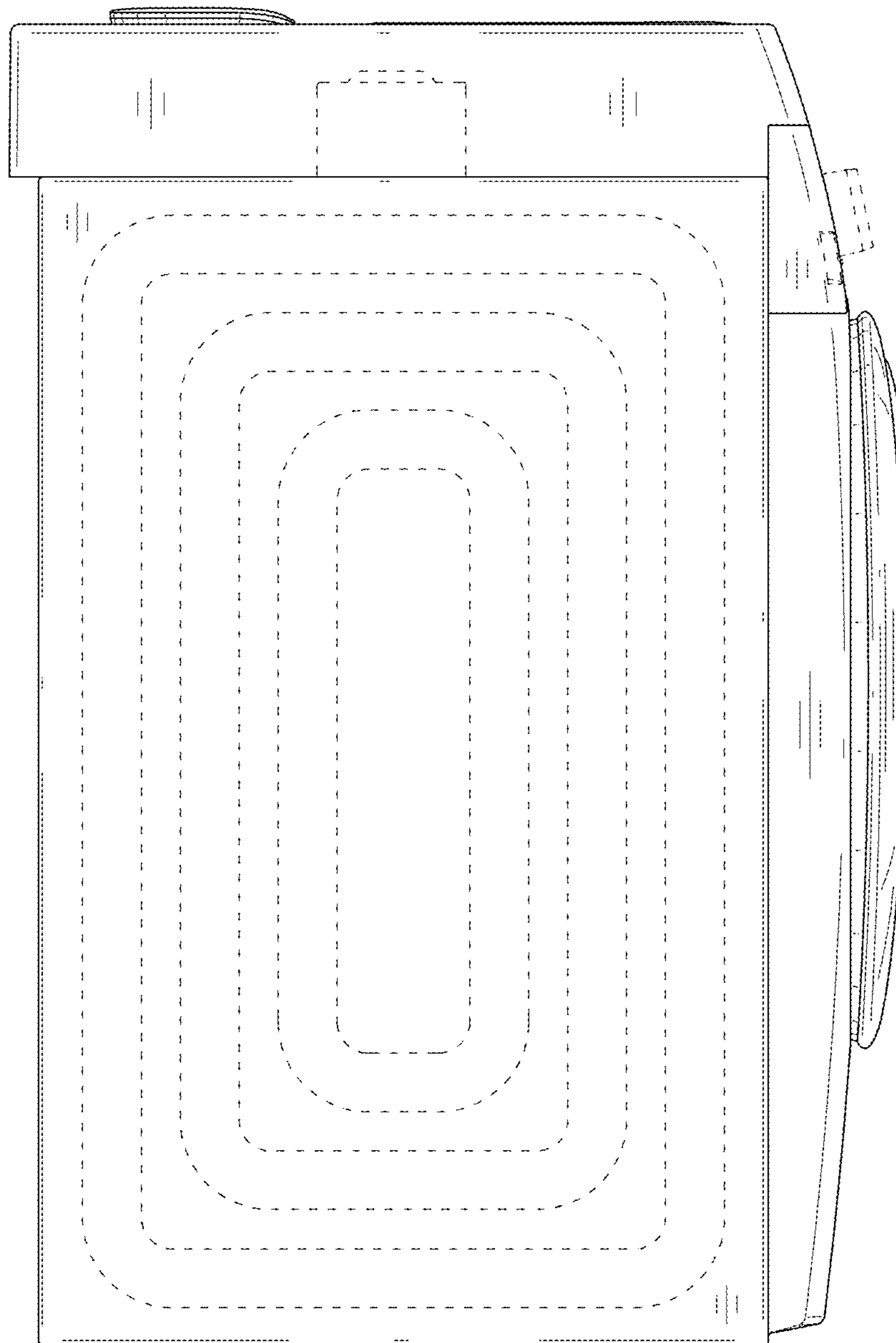


FIG. 5

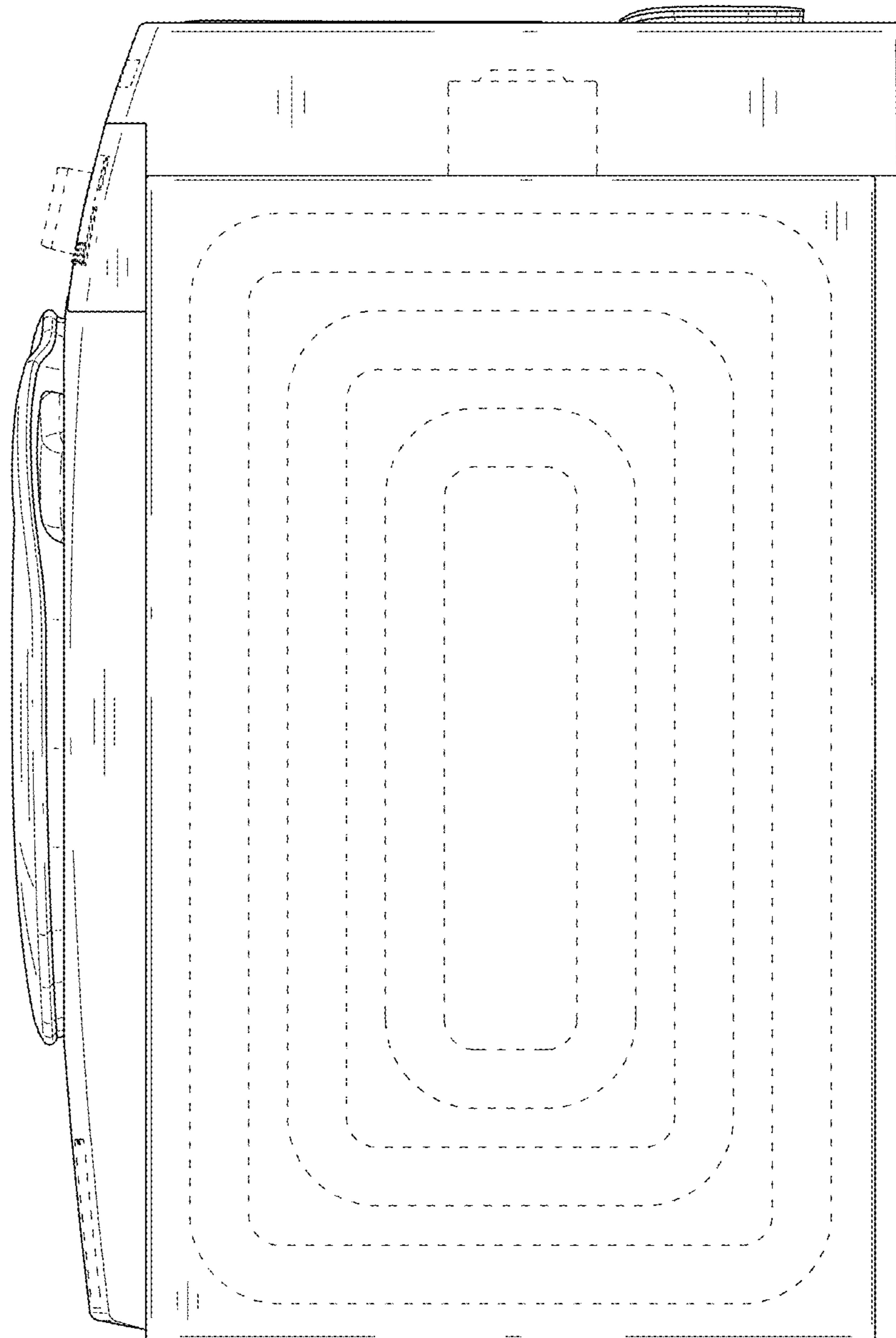


FIG. 6

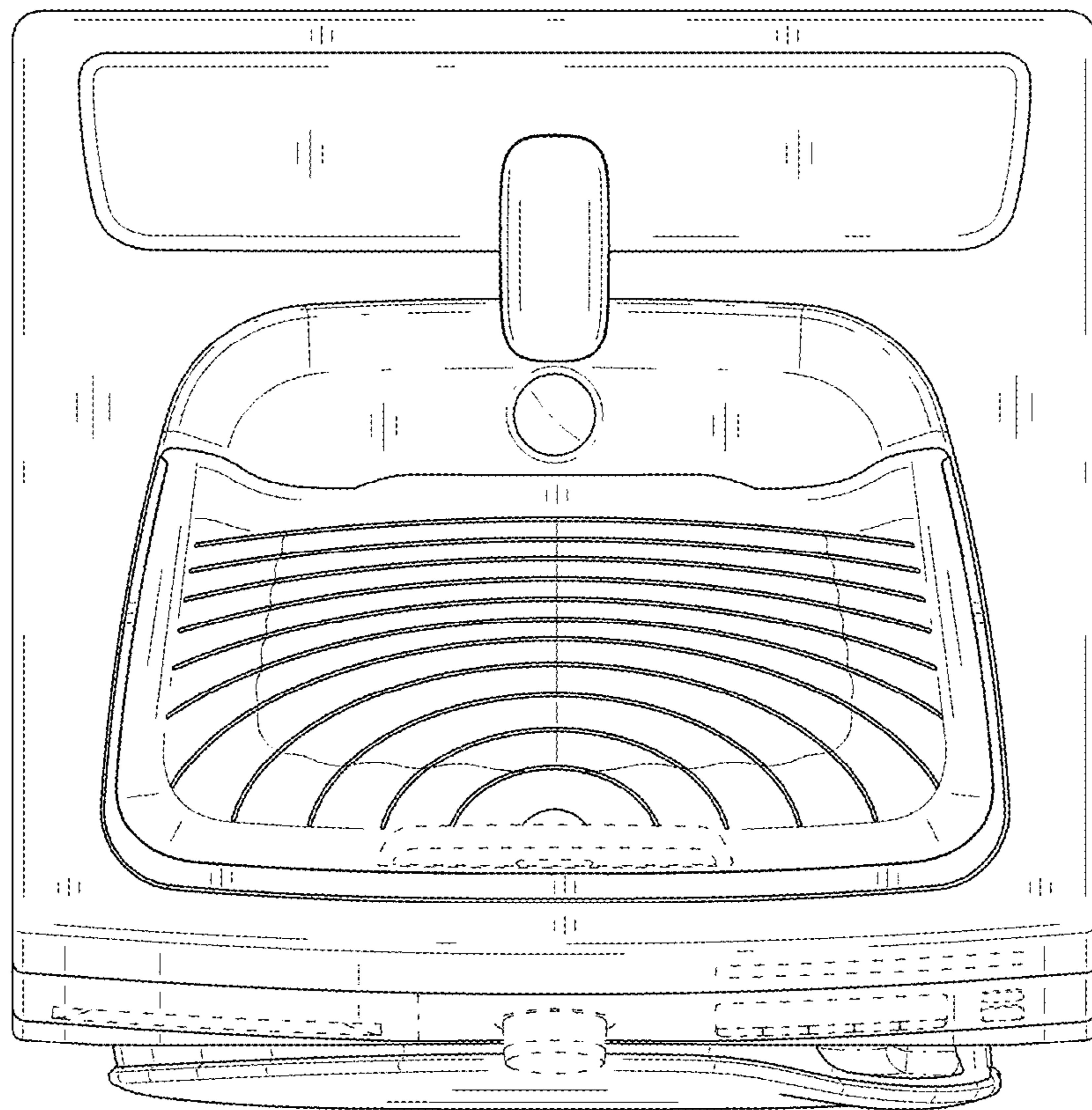




FIG. 7

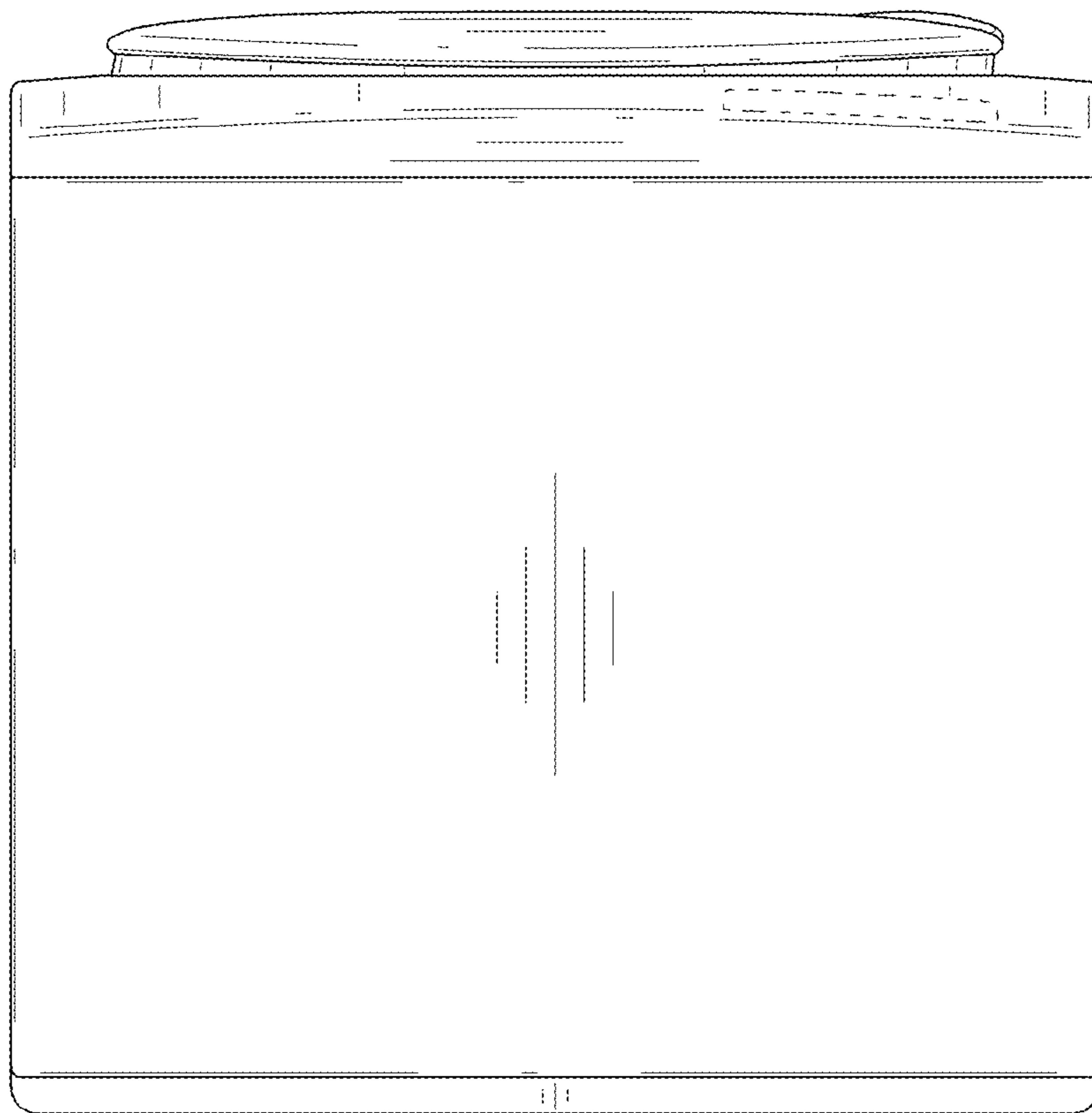


FIG. 8

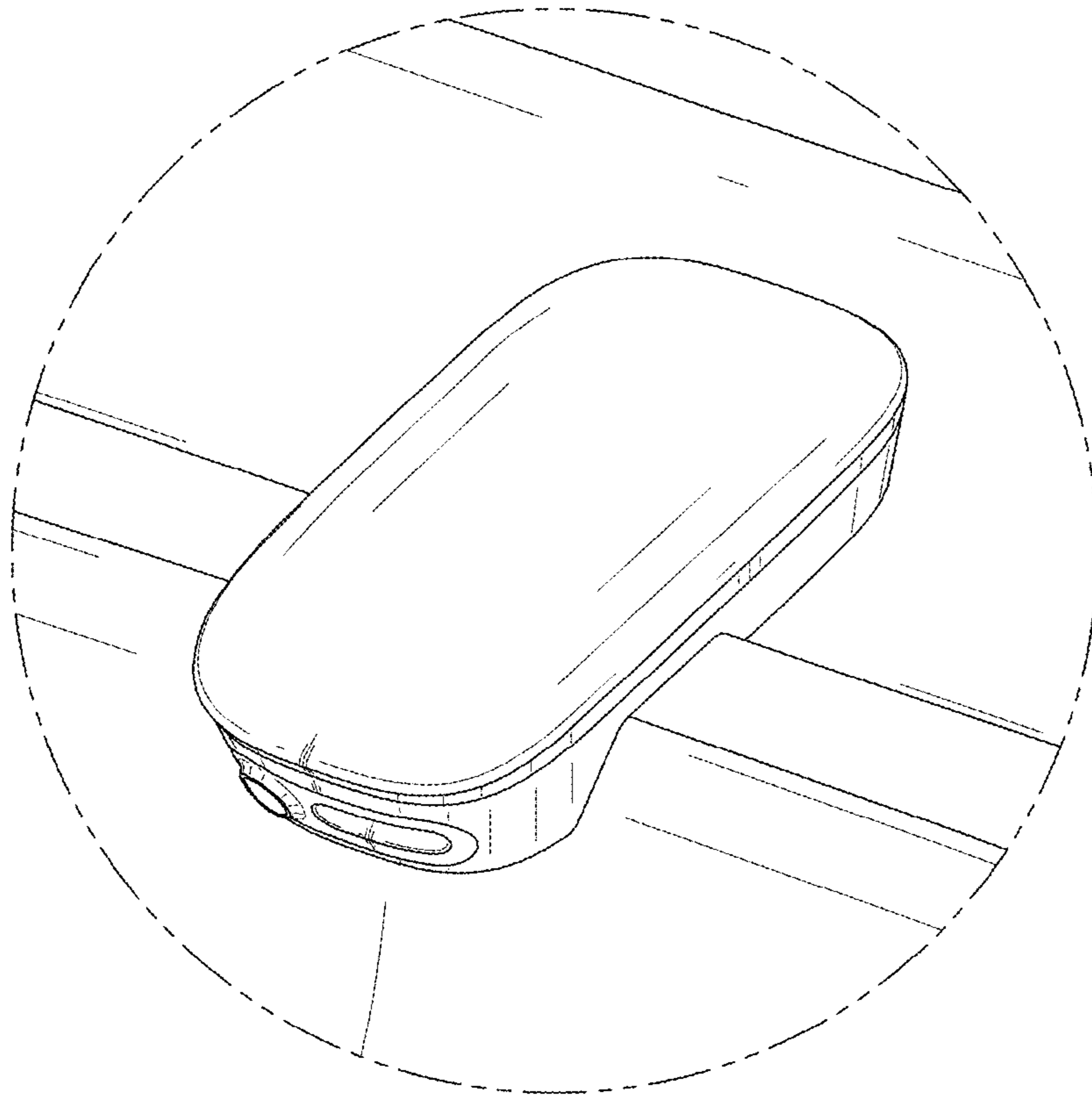


FIG. 9

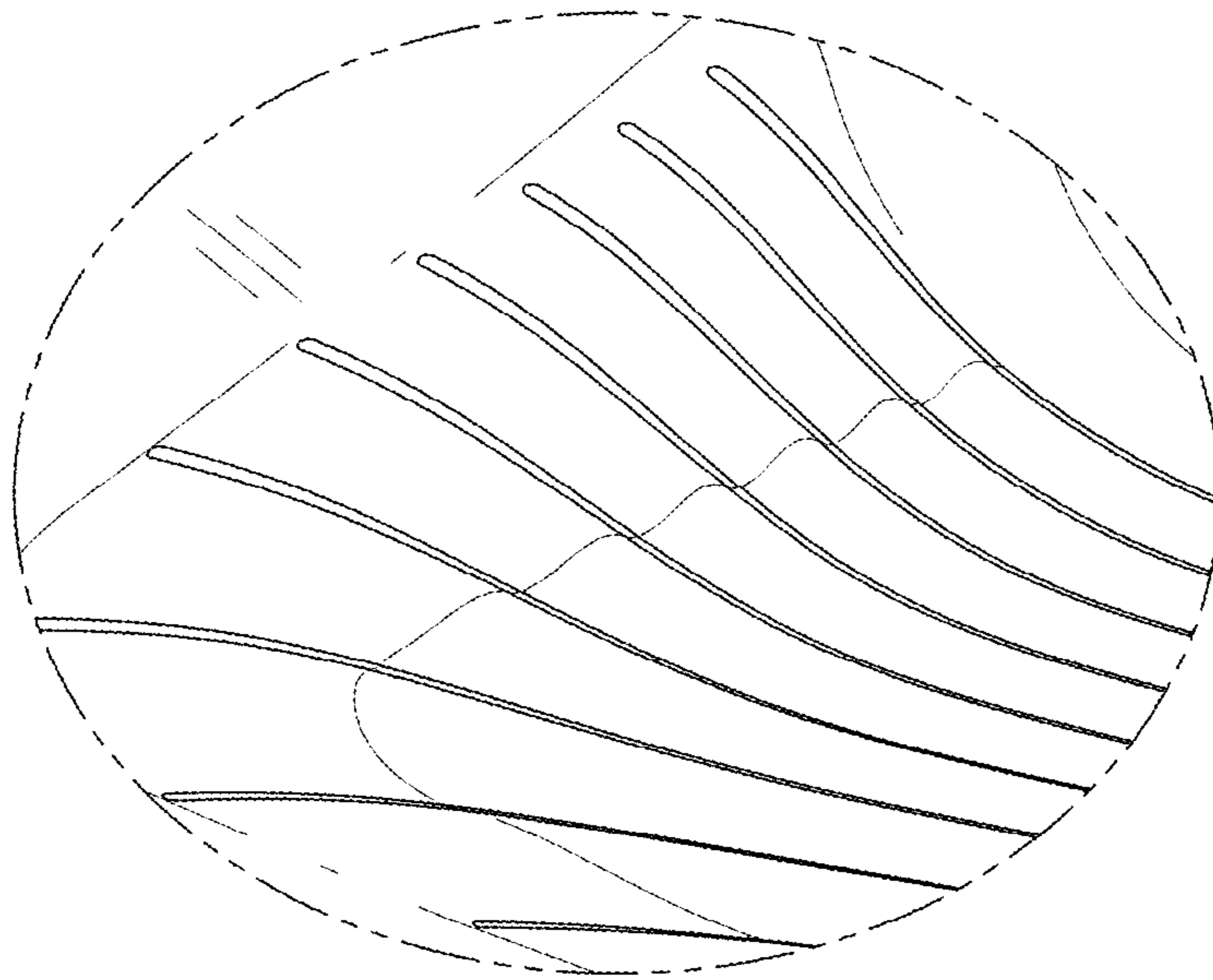


FIG. 10

