



US00D781003S

(12) **United States Design Patent** (10) **Patent No.:** **US D781,003 S**
Yao (45) **Date of Patent:** **** Mar. 7, 2017**

(54) **ULTRASONIC CLEANING MACHINE FOR CLEANING WORKPIECE SURFACE**

(71) Applicant: **Shenzhen Codyson Electrical Co., Ltd.**, Shenzhen (CN)

(72) Inventor: **Xingyuan Yao**, Shenzhen (CN)

(73) Assignee: **SHENZHEN CODYSON ELECTRICAL CO., LTD.**, Shenzhen (CN)

(**) Term: **15 Years**

(21) Appl. No.: **29/534,258**

(22) Filed: **Jul. 27, 2015**

(30) **Foreign Application Priority Data**

Jan. 28, 2015 (CN) 2015 3 0025096

(51) **LOC (10) Cl.** **15-05**

(52) **U.S. Cl.**
USPC **D32/1**

(58) **Field of Classification Search**
USPC . D32/1, 15, 16, 25; D7/605, 619.1; D3/218, 272, 273, 276, 294, 321, 279-81, D3/905; D24/185-187, 217; D13/169, 131, D13/162, 174, 176
CPC ... A47L 15/0086; A47L 15/0076; A47L 15/13
See application file for complete search history.

(56) **References Cited**

U.S. PATENT DOCUMENTS

- D183,777 S * 10/1958 Weiss D13/104
- D229,220 S * 11/1973 Pulos D24/217
- D232,798 S * 9/1974 Roche D7/605
- D248,090 S * 6/1978 Box D7/603
- D266,183 S * 9/1982 Snow D22/136
- D269,810 S * 7/1983 Mace D24/186

- D335,960 S * 6/1993 Kahl D3/276
- 5,219,446 A * 6/1993 Klepac B25H 3/02 362/154
- D341,450 S * 11/1993 Tinius D32/15
- D351,318 S * 10/1994 Wedi D7/605
- D354,292 S * 1/1995 Monti D15/80
- D372,843 S * 8/1996 Trent D6/336
- 5,658,316 A * 8/1997 Lamond A61N 1/39 607/142
- D453,624 S * 2/2002 Itzkovitch D3/276
- D533,940 S * 12/2006 Hayamizu D24/107
- D609,913 S * 2/2010 Landau D3/291
- D634,982 S * 3/2011 Melchert D7/605
- D648,533 S * 11/2011 Sosnovsky D3/283
- D658,376 S * 5/2012 Ahlstrom D3/294
- D658,595 S * 5/2012 Harada D13/169

(Continued)

Primary Examiner — Michael A. Pratt

Assistant Examiner — Michelle E Wilson

(74) *Attorney, Agent, or Firm* — Matthias Scholl, PC; Matthias Scholl

(57) **CLAIM**

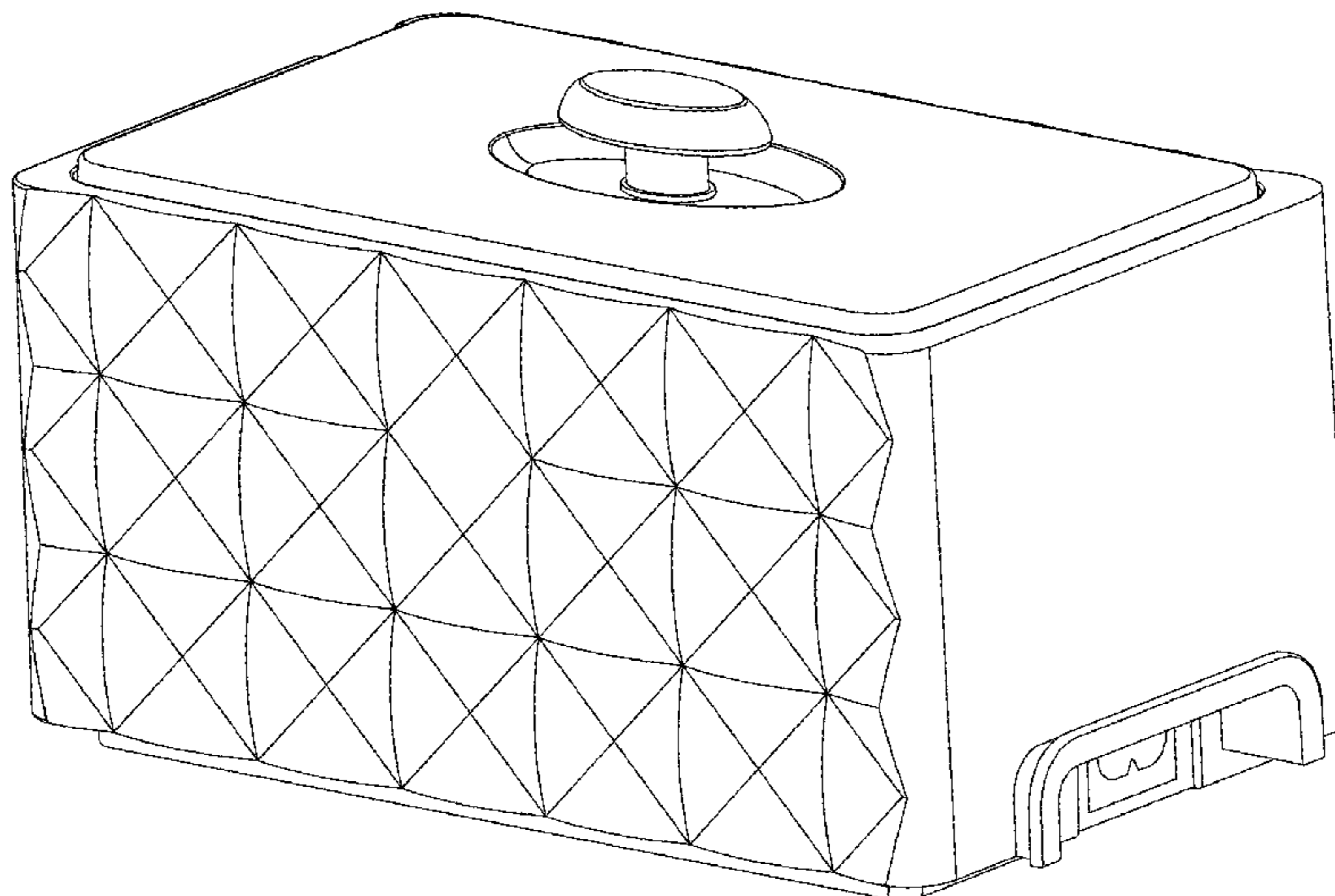
The ornamental design for an ultrasonic cleaning machine for cleaning workpiece surface, as shown and described.

DESCRIPTION

FIG. 1 is a front elevational view of an ultrasonic cleaning machine for cleaning workpiece surface; FIG. 2 is a rear elevational view thereof; FIG. 3 is a left side elevational view thereof; FIG. 4 is a right side elevational view thereof; FIG. 5 is a top plan view thereof; FIG. 6 is a bottom plan view thereof; and, FIG. 7 is a perspective view thereof.

The broken lines shown on the bottom surface of the ultrasonic cleaning machine are included for the purpose of illustrating portions of the claimed design that form no part of the claimed design.

1 Claim, 7 Drawing Sheets



(56)

References Cited

U.S. PATENT DOCUMENTS

D685,540 S * 7/2013 Yao D32/1
2010/0012538 A1* 1/2010 Brunner B25H 3/02
206/373
2012/0012493 A1* 1/2012 Cleveland B65D 21/0223
206/508

* cited by examiner

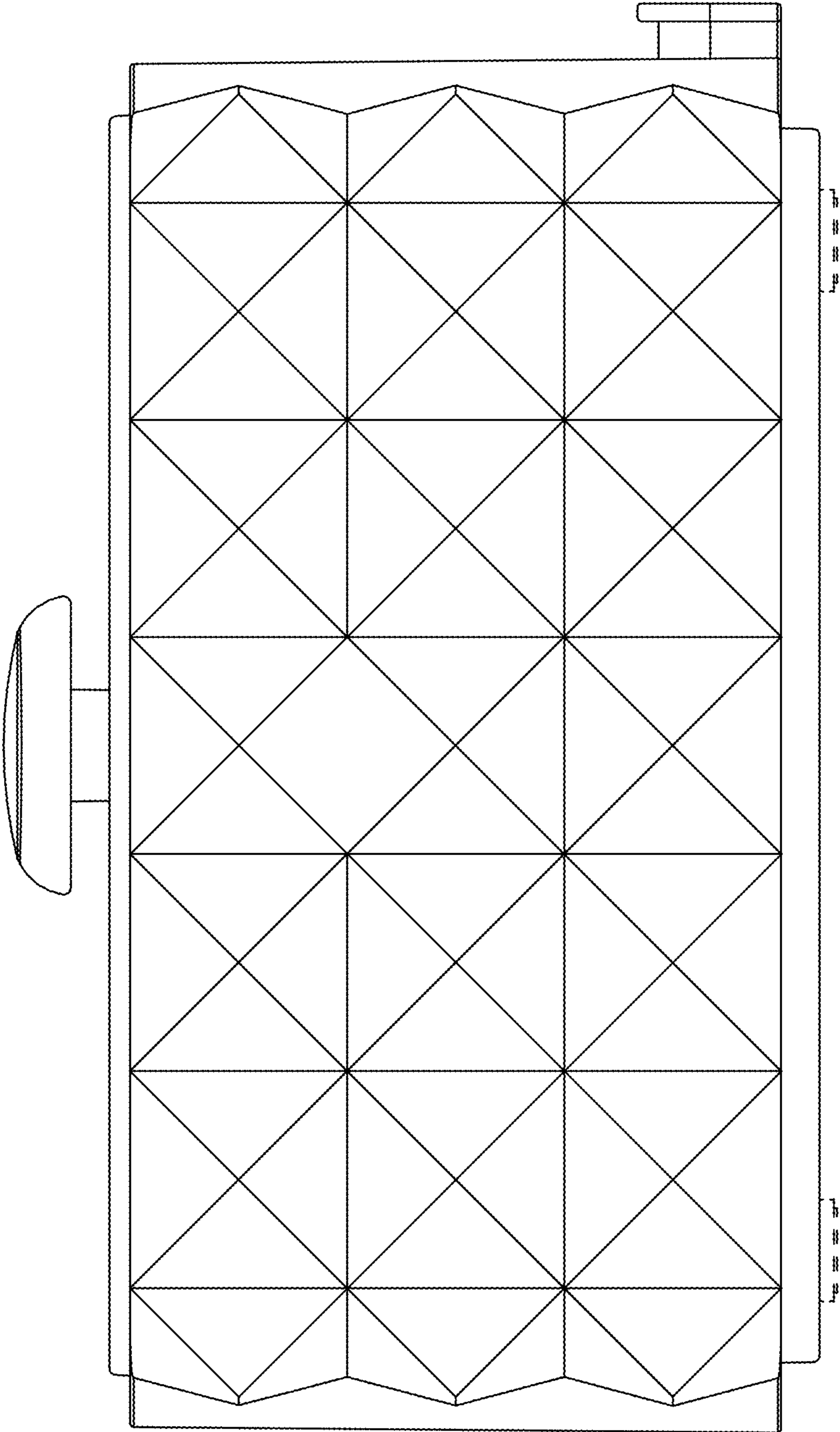


FIG. 1

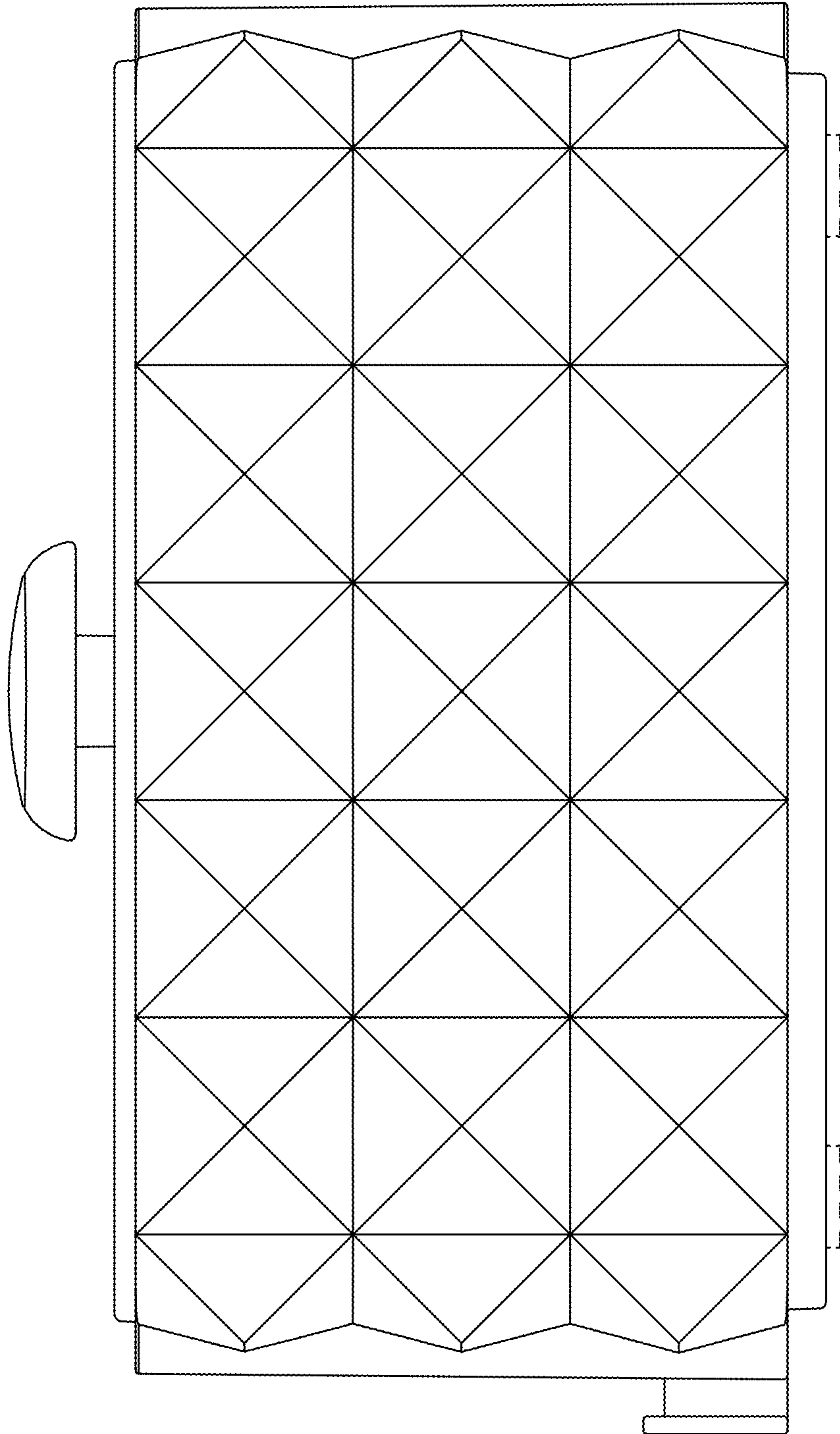


FIG. 2

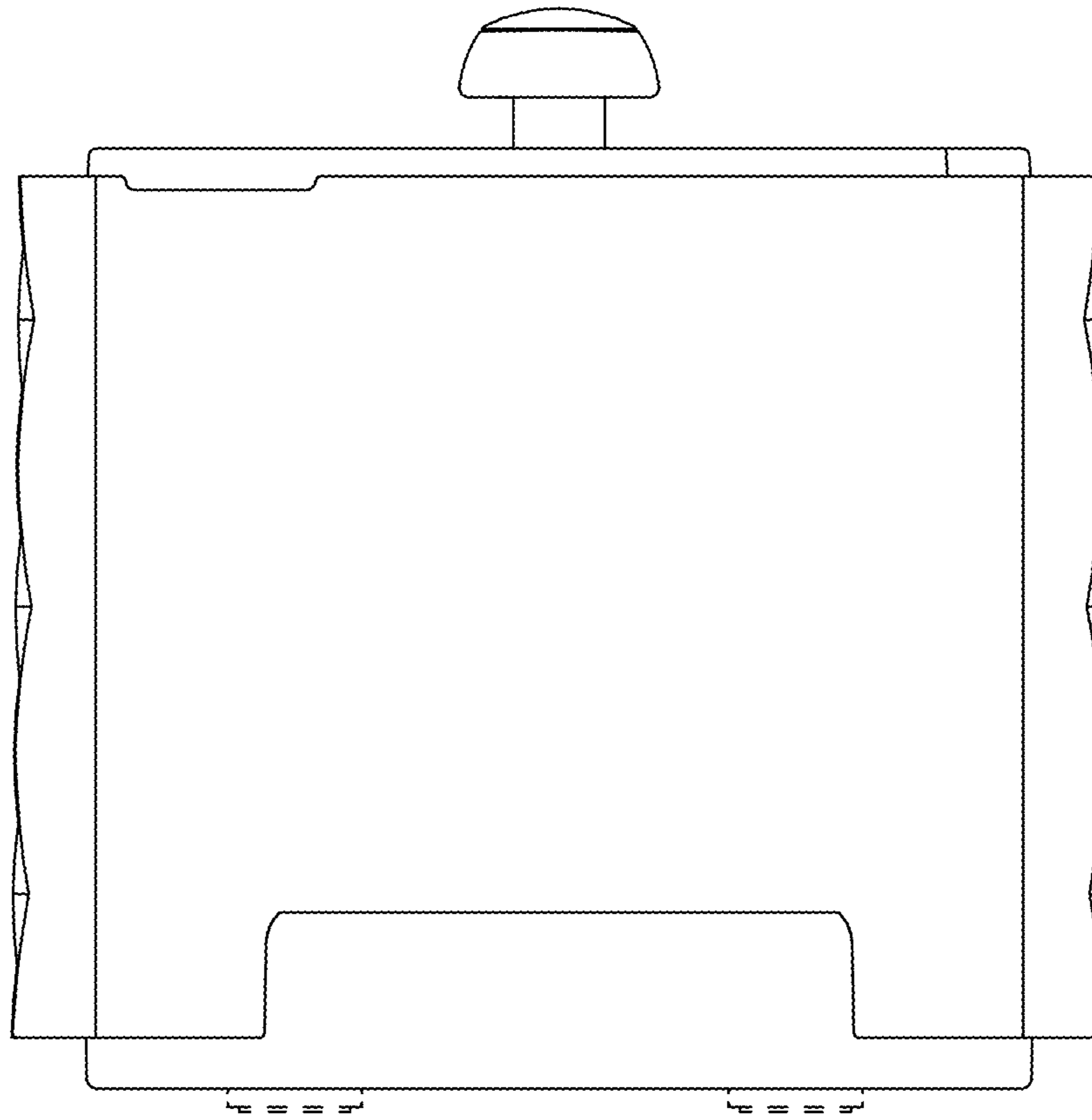


FIG. 3

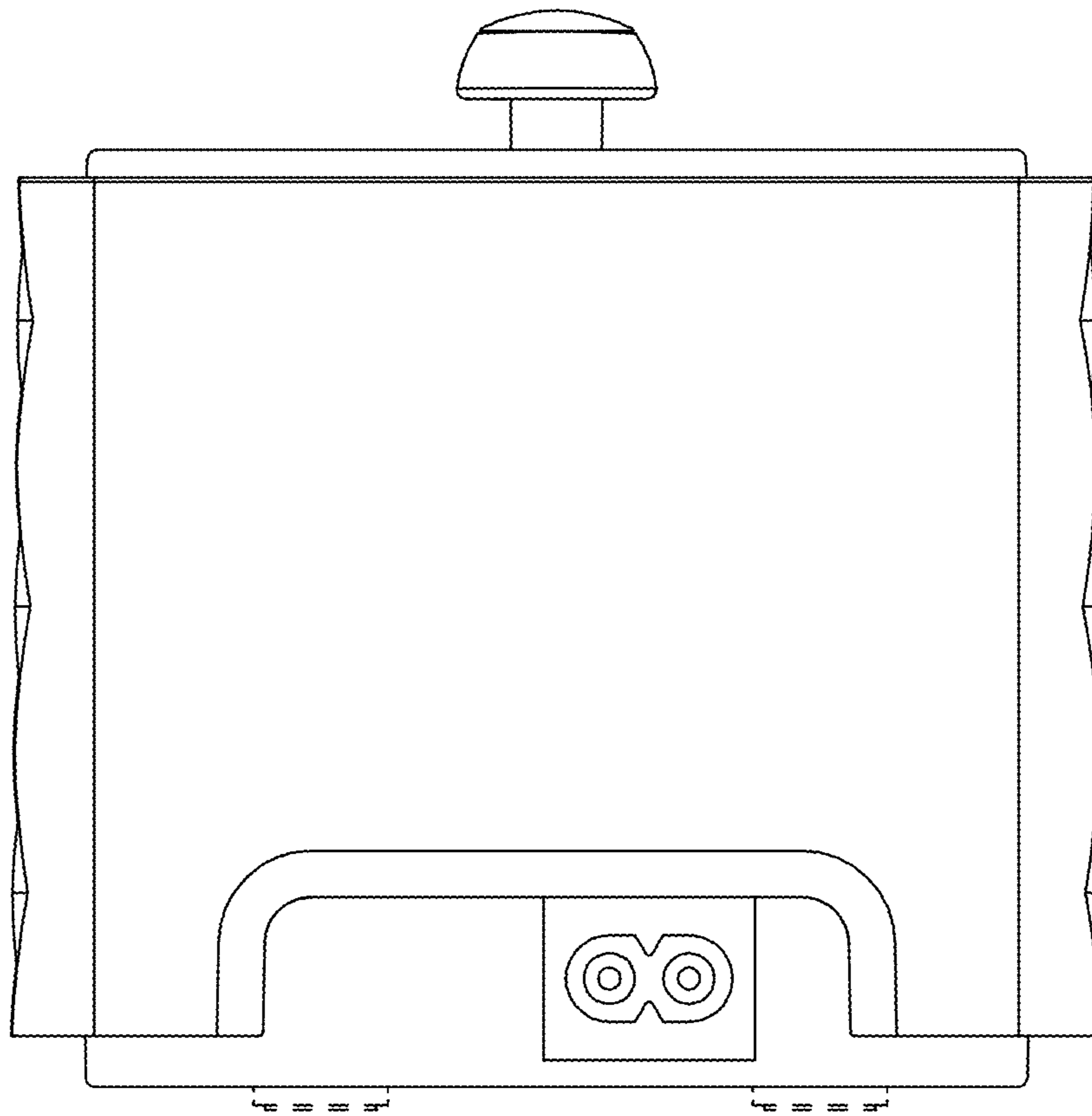


FIG. 4

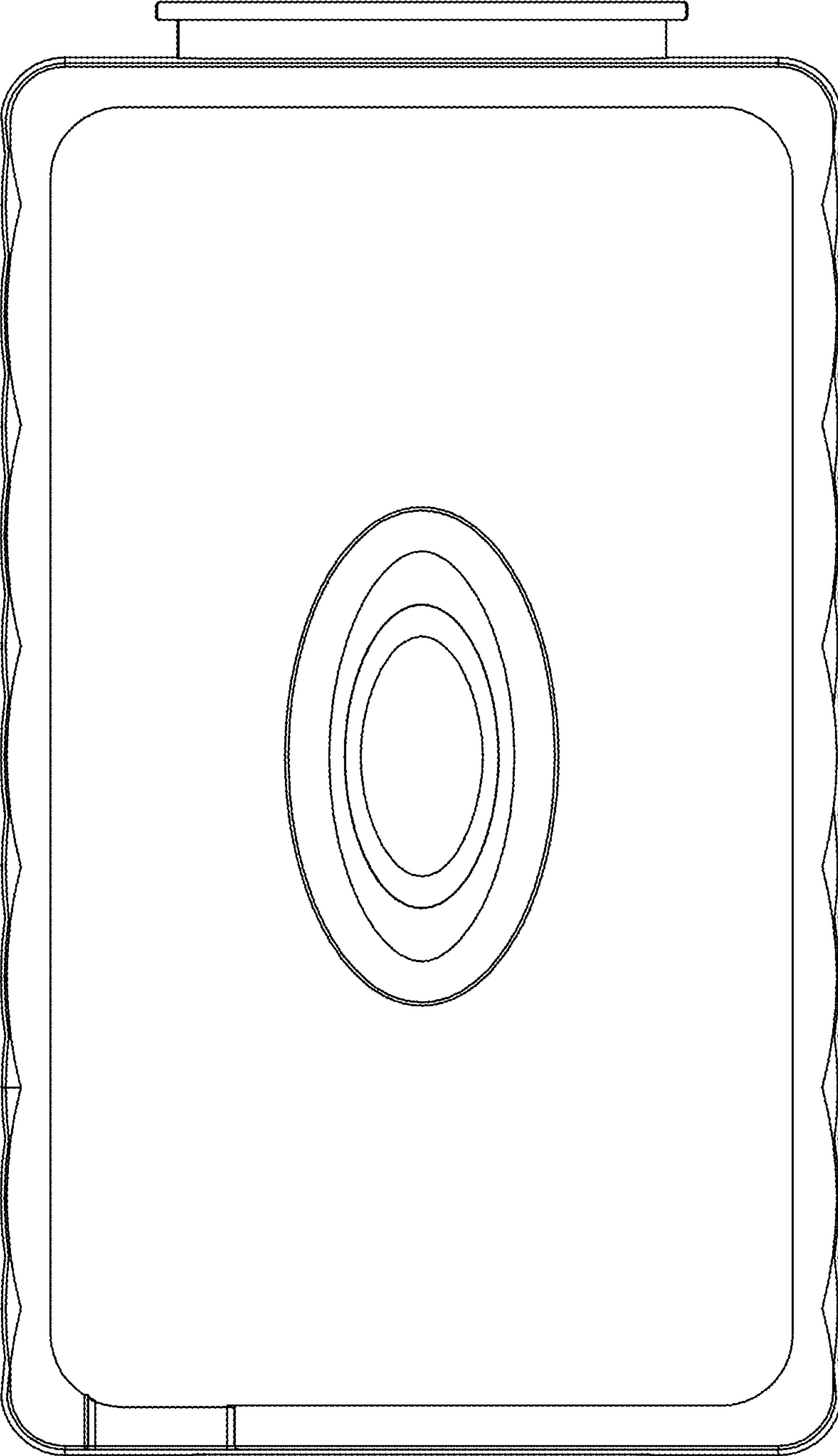


FIG. 5

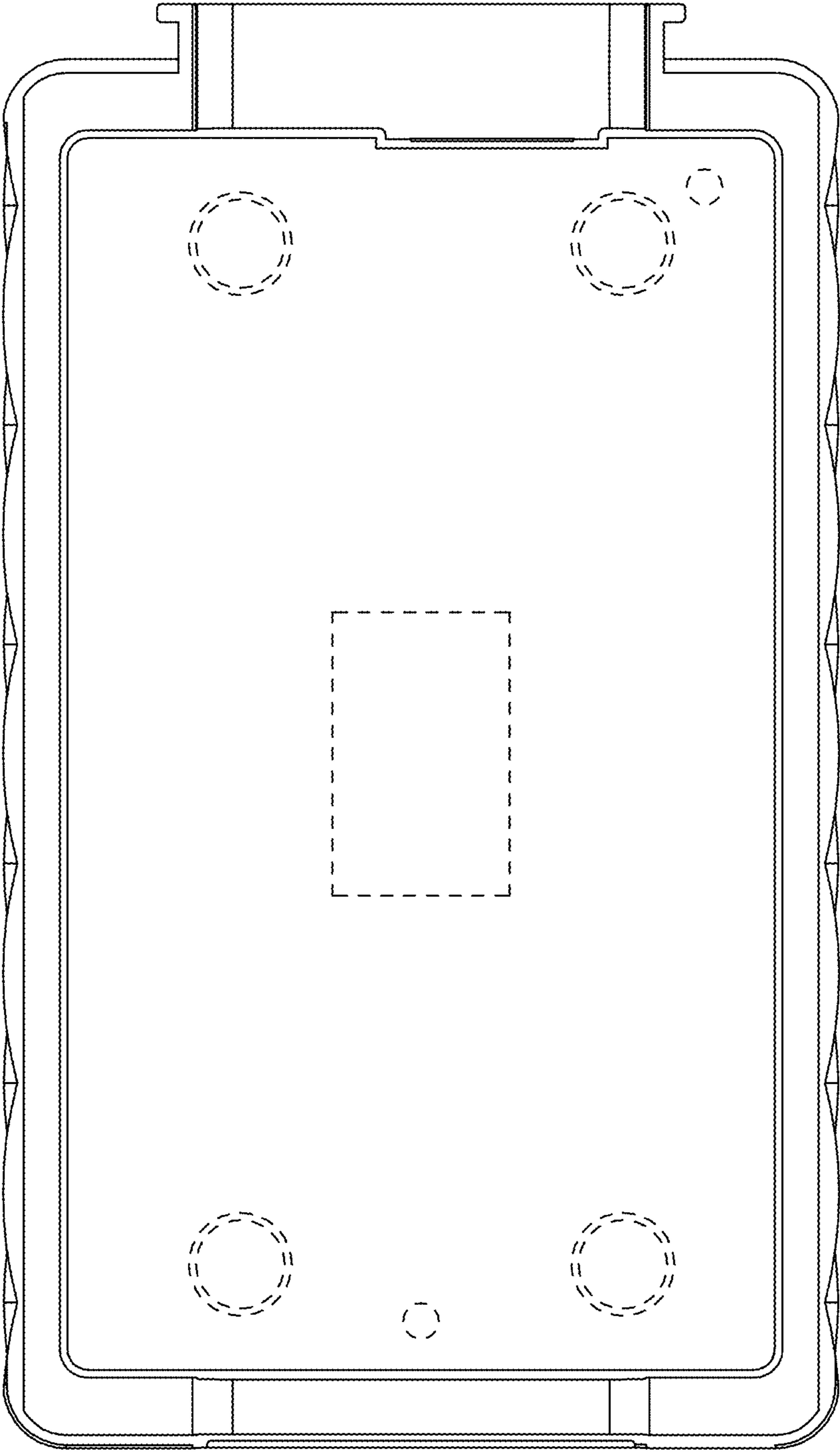


FIG. 6

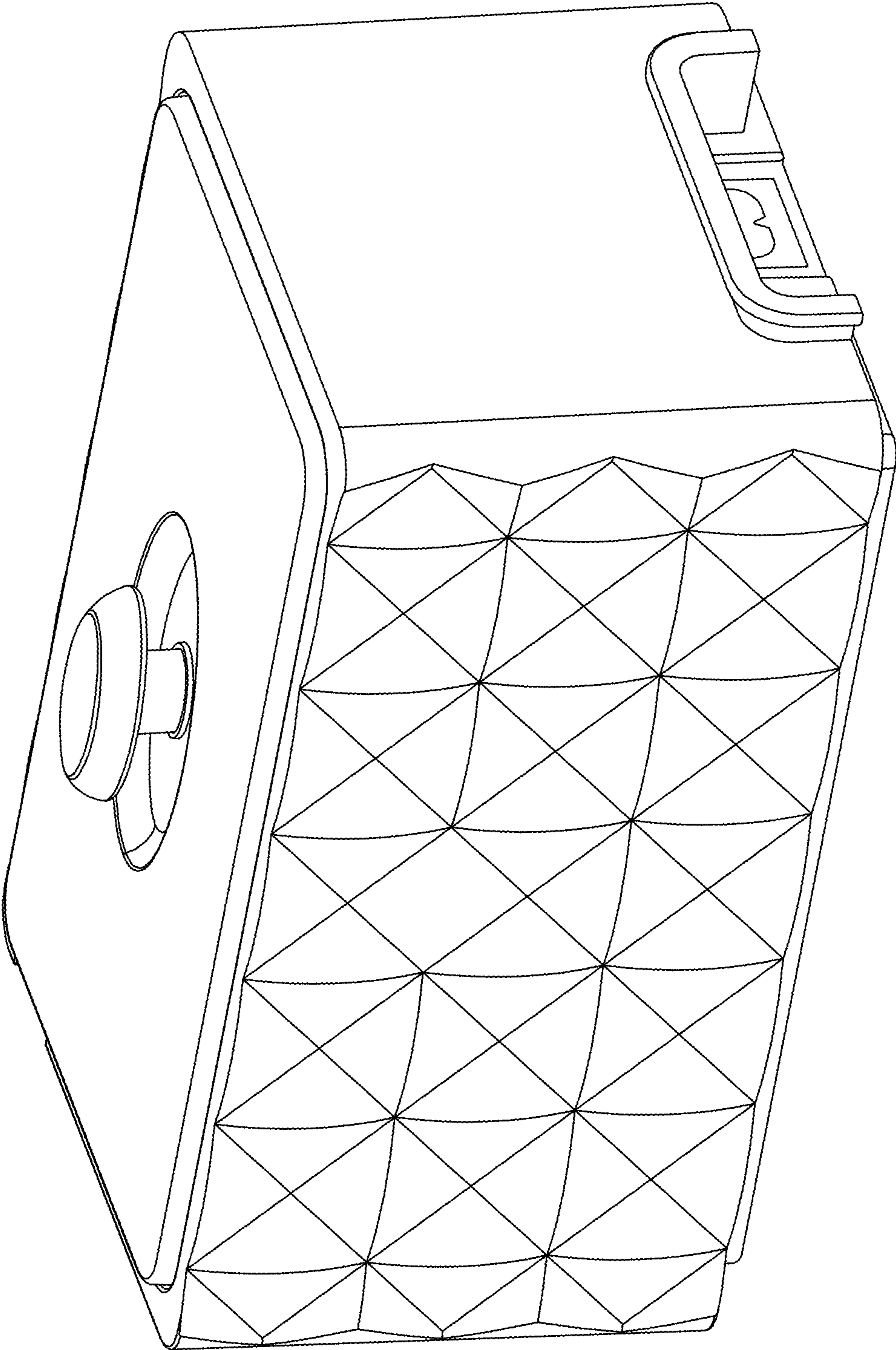


FIG. 7