



US00D781001S

(12) **United States Design Patent**  
**Kournwsky et al.**

(10) **Patent No.:** **US D781,001 S**  
(45) **Date of Patent:** **\*\* Mar. 7, 2017**

(54) **HELMET**

3/166; A42B 3/04; A42B 3/228; A42B 3/32; A42B 3/105; A01K 55/00

(71) Applicant: **COLAS RAIL**, Maisons Laffitte (FR)

See application file for complete search history.

(72) Inventors: **Alexandre Kournwsky**, Paris (FR);  
**Axel Delbrayere**, Parly (FR)

*Primary Examiner* — Robert Delehanty

(74) *Attorney, Agent, or Firm* — Young & Thompson

(73) Assignee: **COLAS RAIL**, Maisons Laffitte (FR)

(\*\*) Term: **15 Years**

(57) **CLAIM**

The ornamental design for a helmet, as shown and described.

(21) Appl. No.: **29/538,935**

(22) Filed: **Sep. 9, 2015**

**DESCRIPTION**

(30) **Foreign Application Priority Data**

Mar. 9, 2015 (EM) ..... 002649004-0001

(51) **LOC (10) Cl.** ..... **29-03**

(52) **U.S. Cl.**  
USPC ..... **D29/107**

(58) **Field of Classification Search**  
USPC ..... D29/102-107, 122  
CPC ..... A63B 71/10; A63B 71/222; A63B 71/04;  
A63B 71/166; A63B 71/288; A63B 71/32; A63B 71/105; A42B 3/222; A42B

FIG. 1 is a bottom plan view of a helmet showing the new design;

FIG. 2 is a top plan view thereof;

FIG. 3 is a right side elevation view thereof;

FIG. 4 is a front elevation view thereof;

FIG. 5 is a left side elevation view thereof;

FIG. 6 is a bottom, front, and right side perspective view thereof; and,

FIG. 7 is a front, top, and right side perspective view thereof.

**1 Claim, 7 Drawing Sheets**





FIG. 1

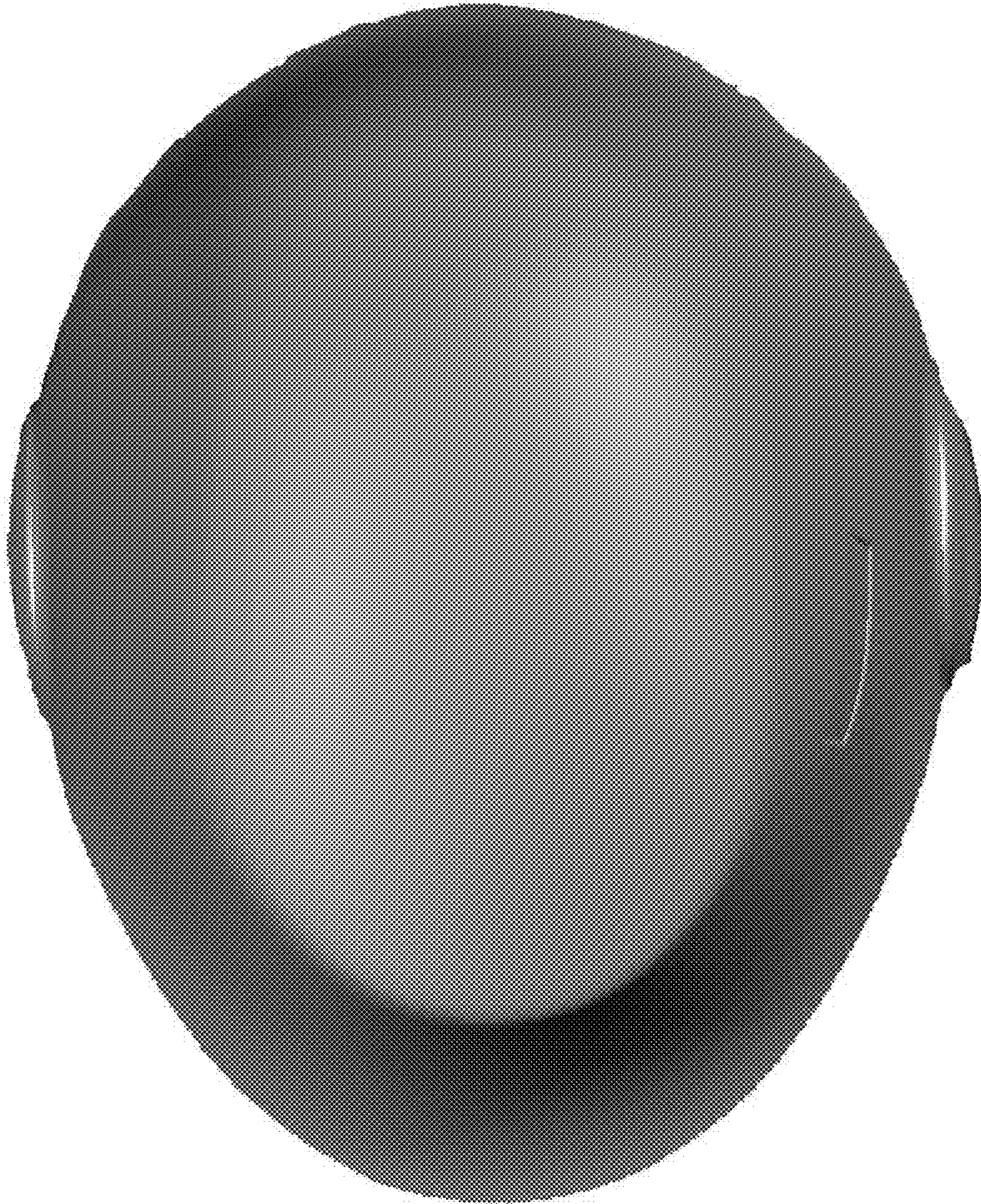


FIG. 2

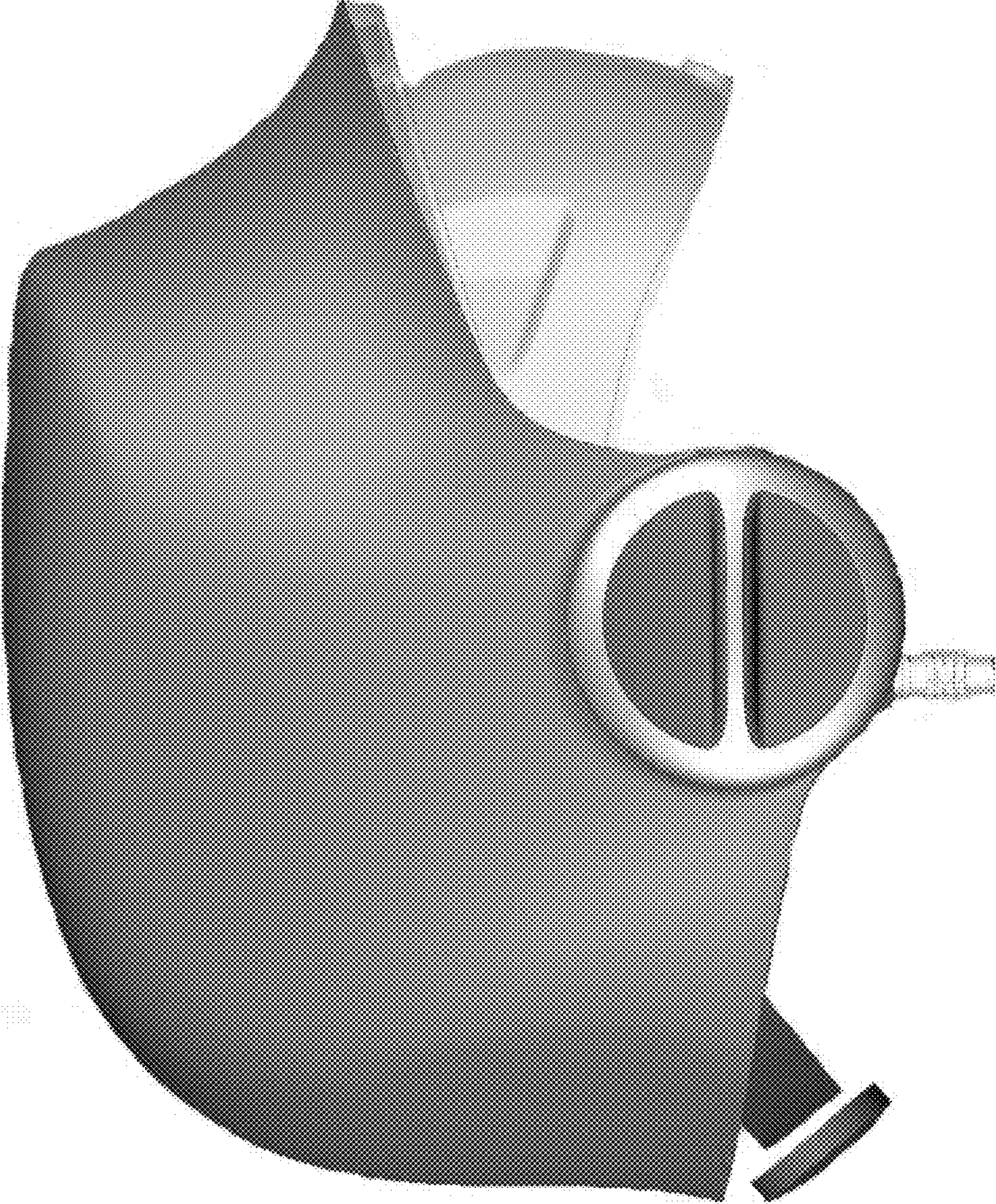


FIG. 3

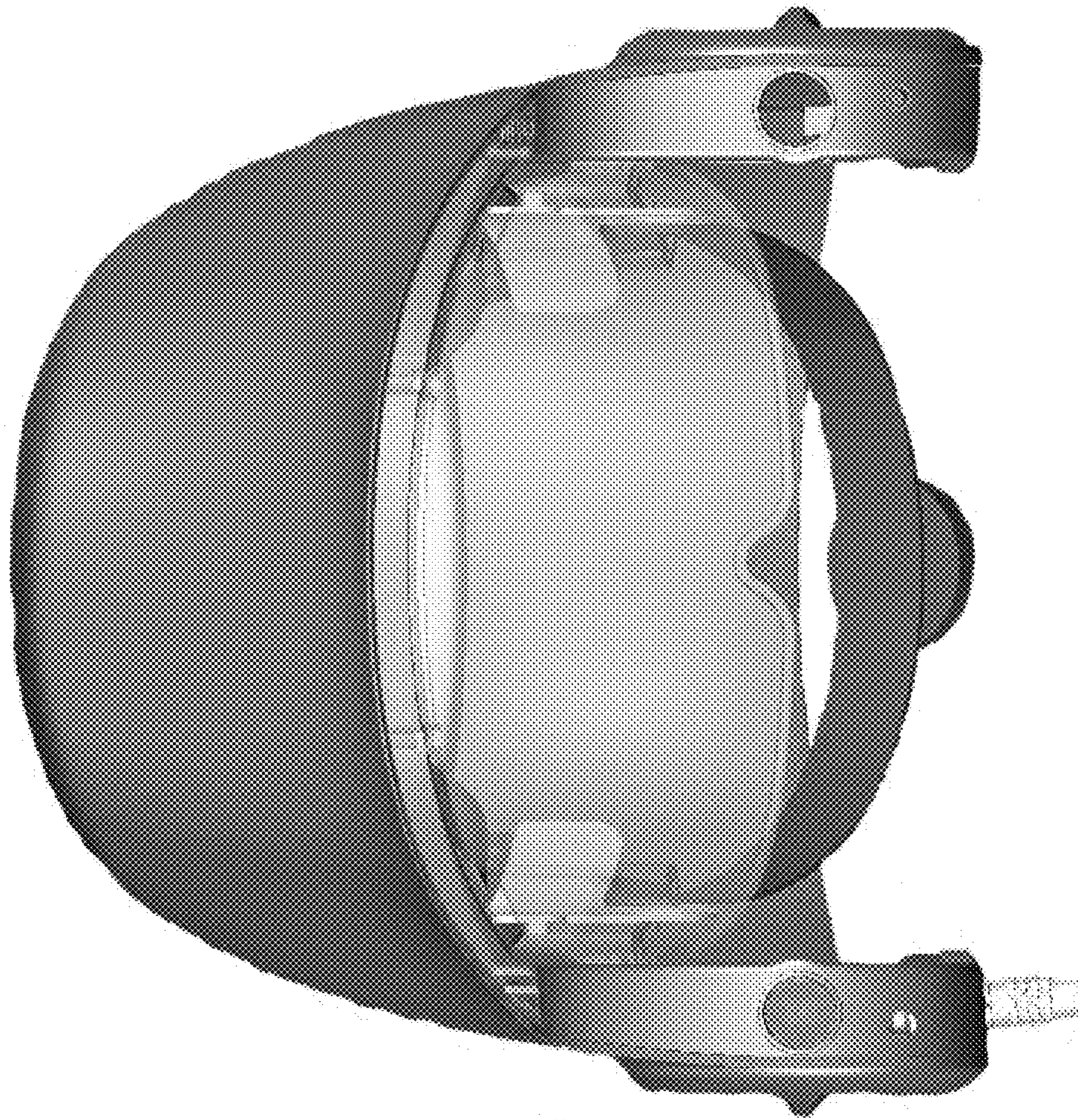


FIG. 4

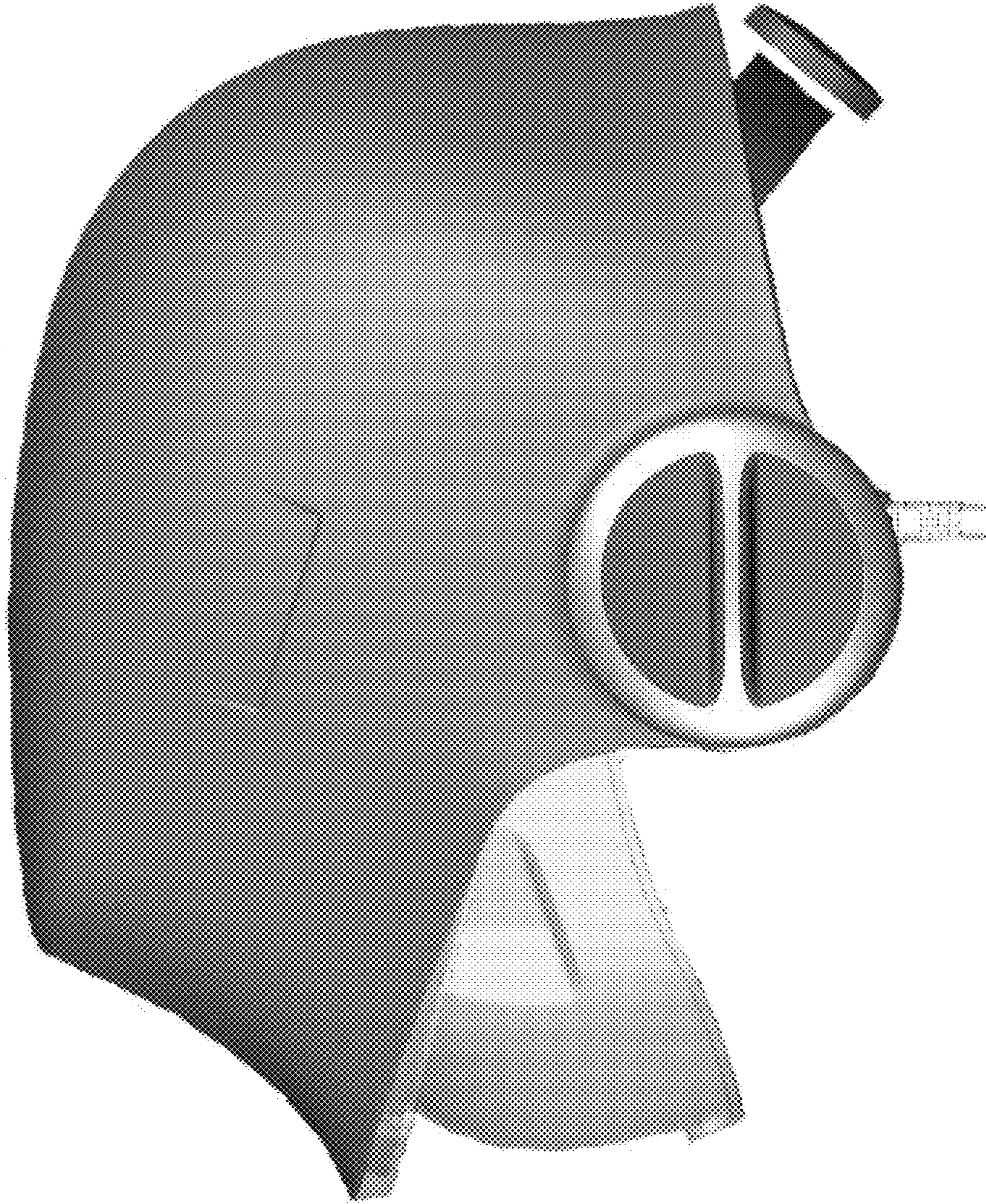


FIG. 5

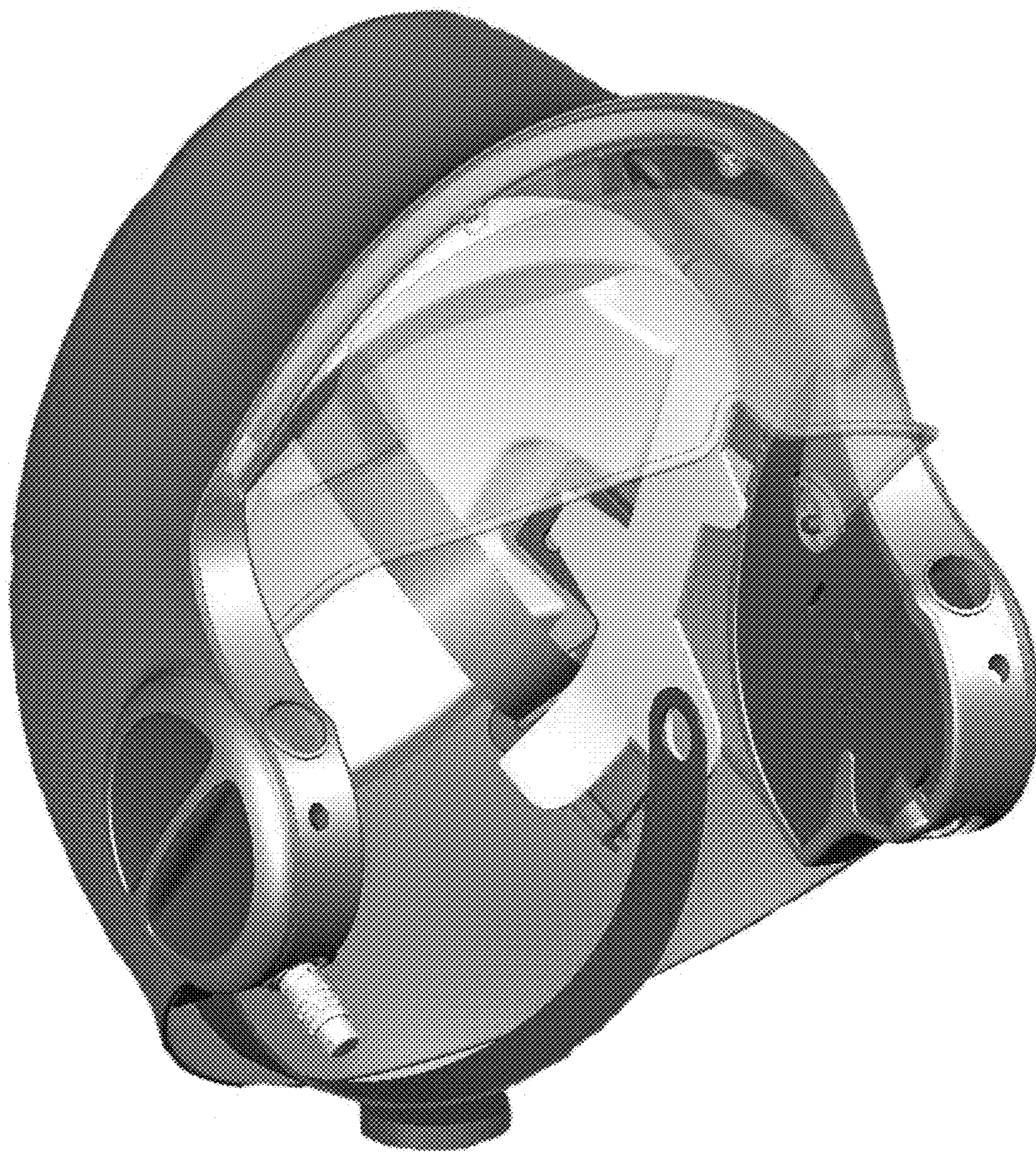


FIG. 6



FIG. 7