



US00D780994S

(12) **United States Design Patent** (10) **Patent No.:** **US D780,994 S**
Hardwick (45) **Date of Patent:** **** Mar. 7, 2017**

(54) **EYELID MAKEUP APPLICATOR**

(71) Applicant: **Megan M Hardwick**, Firestone, CO (US)

(72) Inventor: **Megan M Hardwick**, Firestone, CO (US)

(**) Term: **15 Years**

(21) Appl. No.: **29/539,789**

(22) Filed: **Sep. 17, 2015**

(51) **LOC (10) Cl.** **28-02**

(52) **U.S. Cl.**
USPC **D28/7**

(58) **Field of Classification Search**

USPC . D28/7, 8, 9, 20, 21, 22, 30, 31, 63, 76, 85,
D28/99; D18/14, 15; 132/317, 320
CPC A45D 40/30; A45D 40/262; A45D 33/18;
A45D 2200/10; A45D 2200/1009; A45D
2200/1018; A45D 2200/1027; A45D
2200/1072

See application file for complete search history.

(56) **References Cited**

U.S. PATENT DOCUMENTS

6,508,255	B1	1/2003	Glover et al.	
7,334,586	B2	2/2008	Pilmanis	
D683,071	S *	5/2013	Lorenz	D28/7
D707,393	S *	6/2014	Lorenz	D28/7
D742,590	S *	11/2015	Johnson	D28/7
D761,489	S *	7/2016	Krakovszki	D28/7
2010/0242539	A1 *	9/2010	Maxey	A44C 15/0005 63/14.9

(Continued)

Primary Examiner — Sheryl Lane

Assistant Examiner — Calvin E Vansant

(74) *Attorney, Agent, or Firm* — Polson Intellectual Property Law, PC; Margaret Polson

(57) **CLAIM**

The ornamental design for an eyelid makeup applicator, as shown and described.

DESCRIPTION

FIG. 1 is a top perspective view of my new design for an an eyelid makeup applicator.

FIG. 2 is a rear elevation view of my new invention;

FIG. 3 is a front elevation view of my new invention;

FIG. 4 is a top plan view of my new invention;

FIG. 5 is a bottom plan view of my new invention;

FIG. 6 is a right side elevation view of my new invention;

FIG. 7 is a left side elevation view of my new invention;

FIG. 8 is a top perspective view of my new design for a second embodiment of my eyelid makeup applicator;

FIG. 9 is a rear elevation view of the second embodiment of my new invention;

FIG. 10 is a front elevation view of the second embodiment of my new invention;

FIG. 11 is a top plan view of the second embodiment of my new invention;

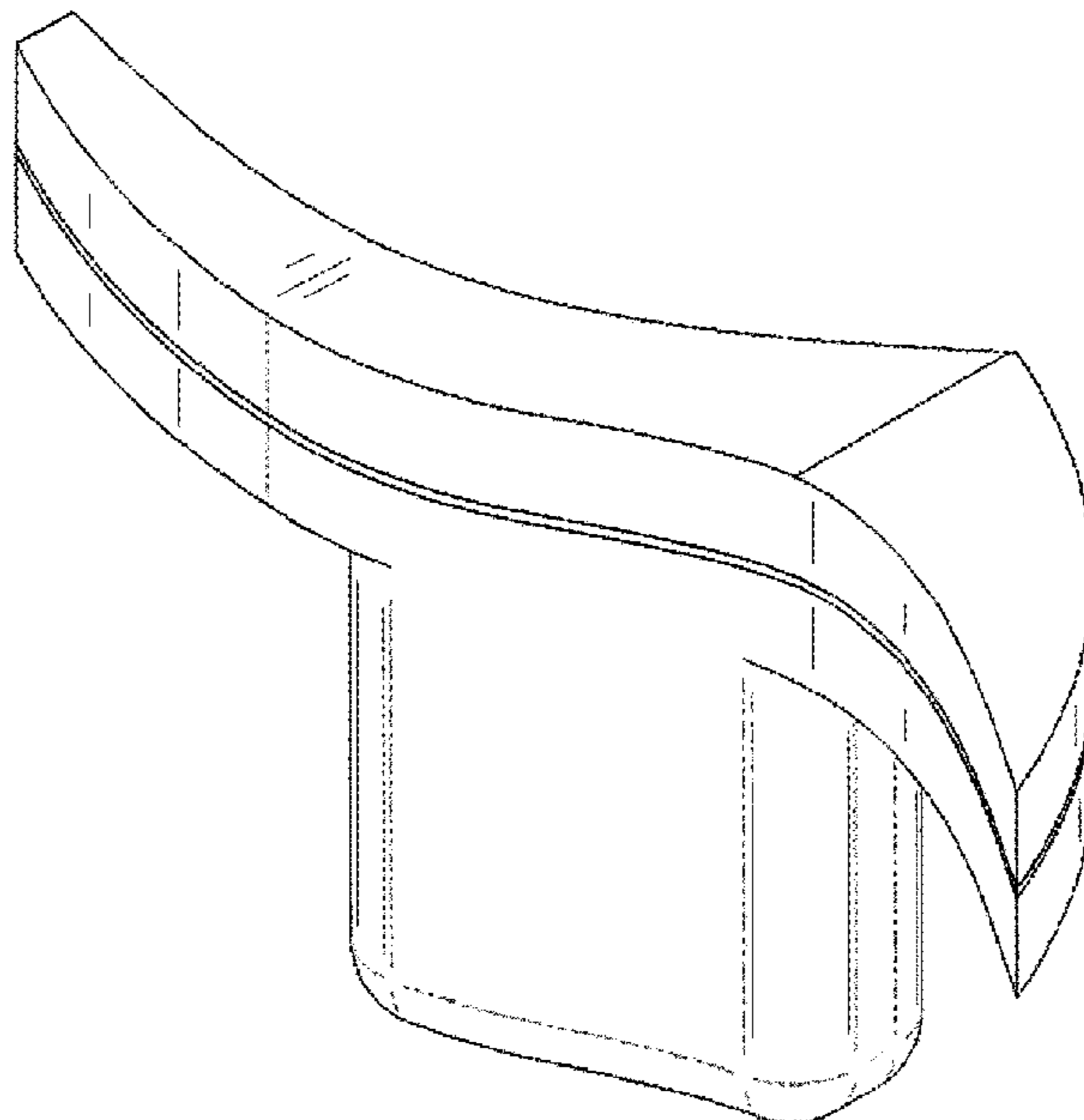
FIG. 12 is a bottom plan view of the second embodiment of my new invention;

FIG. 13 is a right side elevation view of the second embodiment of my new invention; and,

FIG. 14 is a left side elevation view of the second embodiment of my new invention.

The dash-dash broken lines depict environmental subject matter only and form no part of the claimed design.

1 Claim, 6 Drawing Sheets



(56)

References Cited

U.S. PATENT DOCUMENTS

2015/0083158 A1* 3/2015 Abraham A45D 40/24
132/317

* cited by examiner

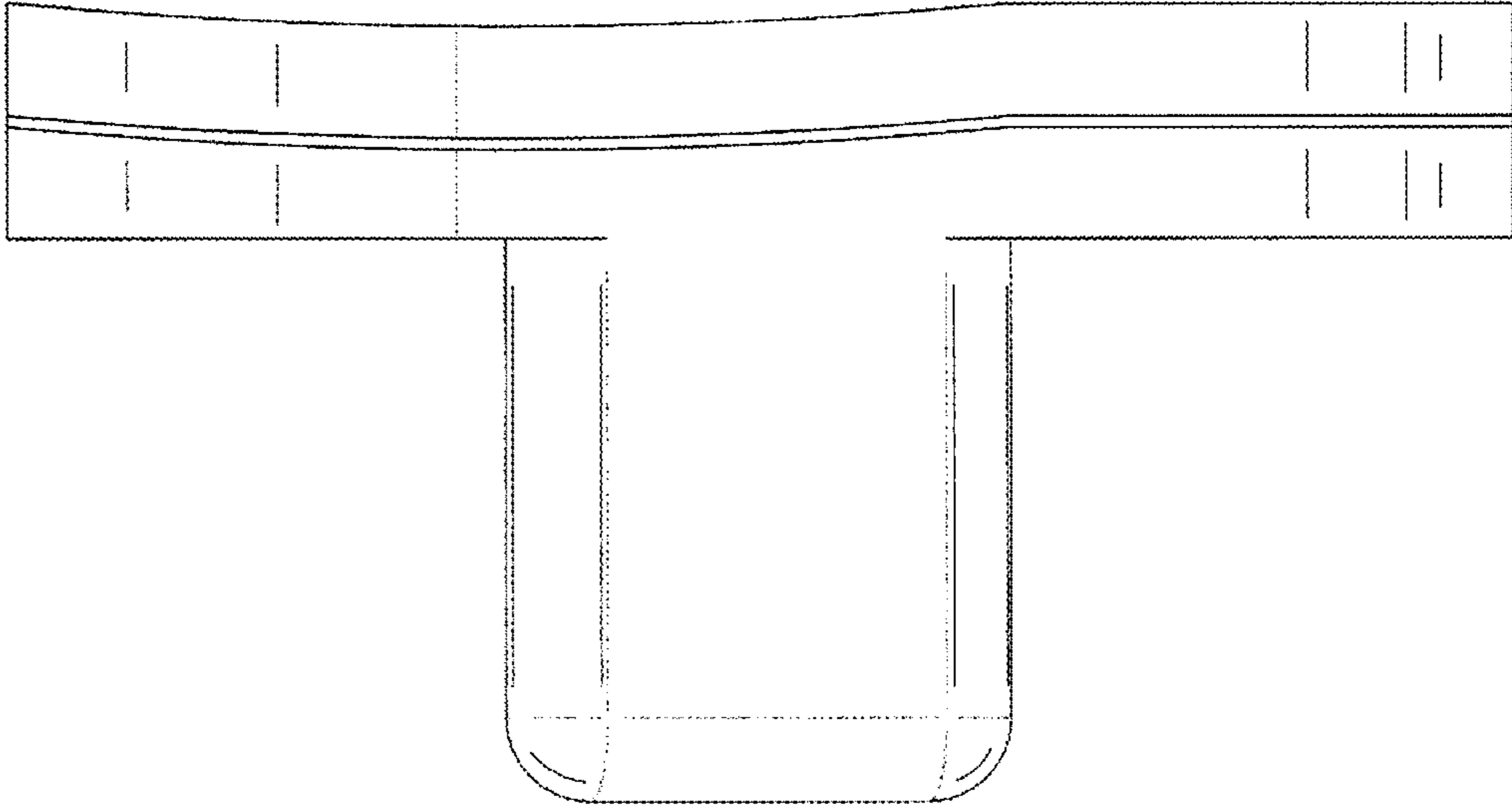
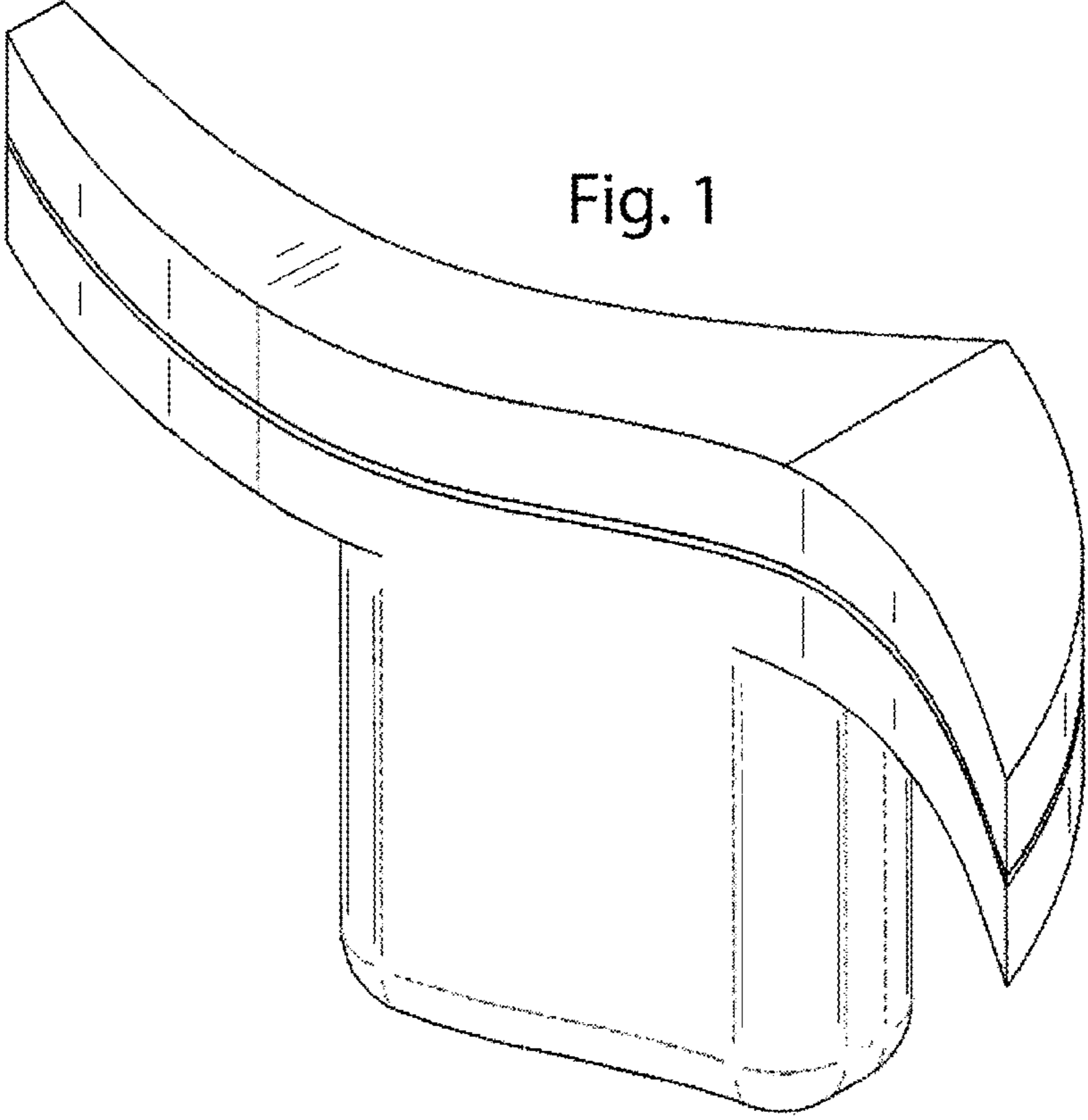


Fig. 2

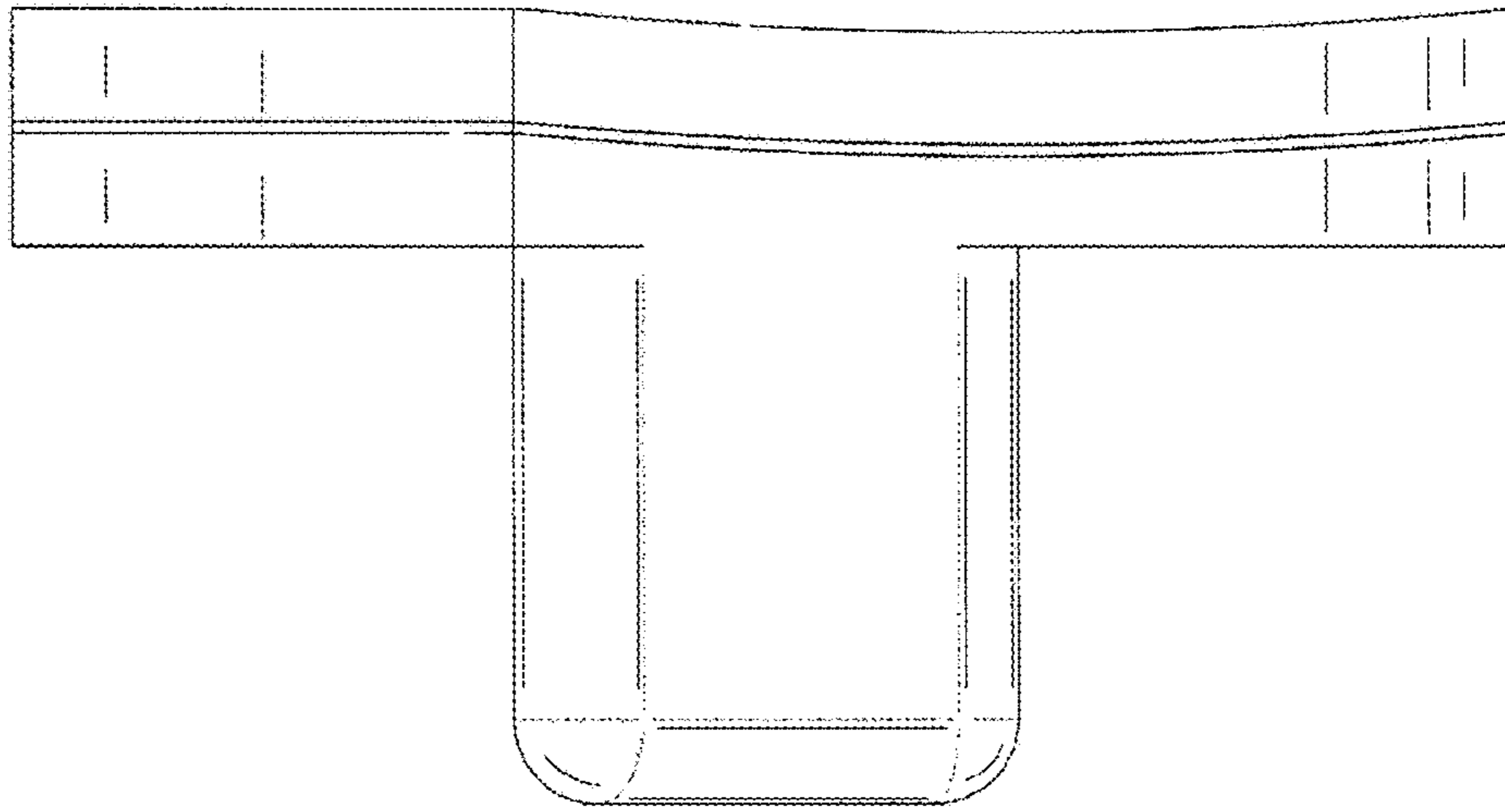


Fig. 3

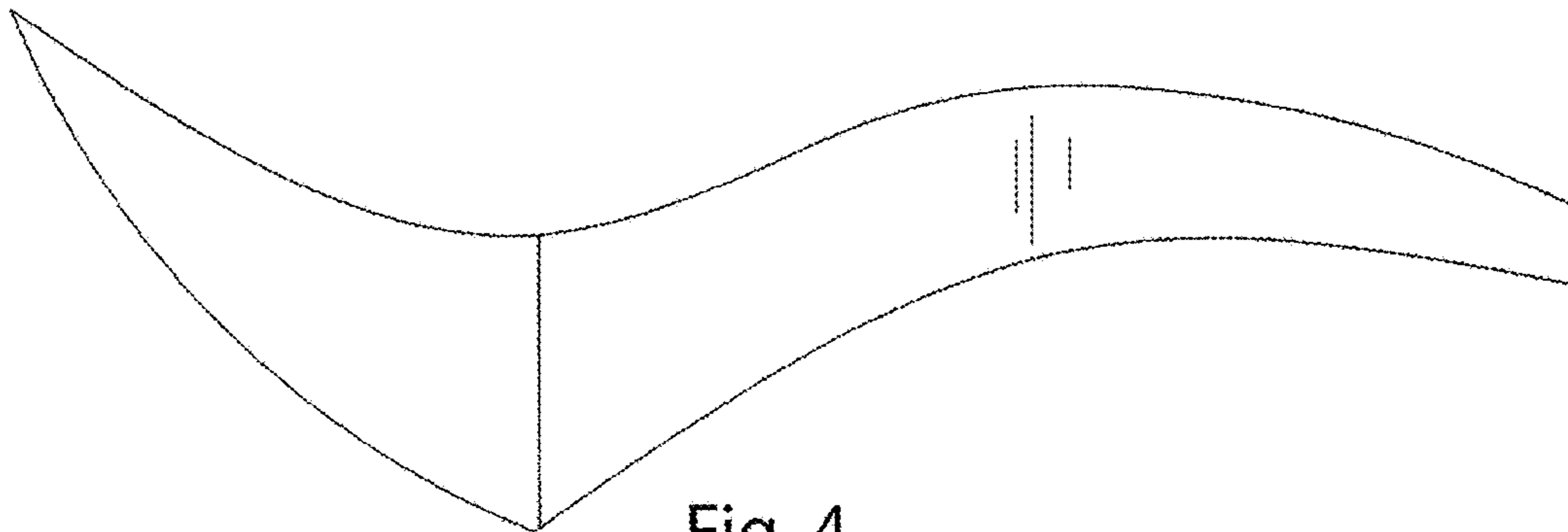


Fig. 4

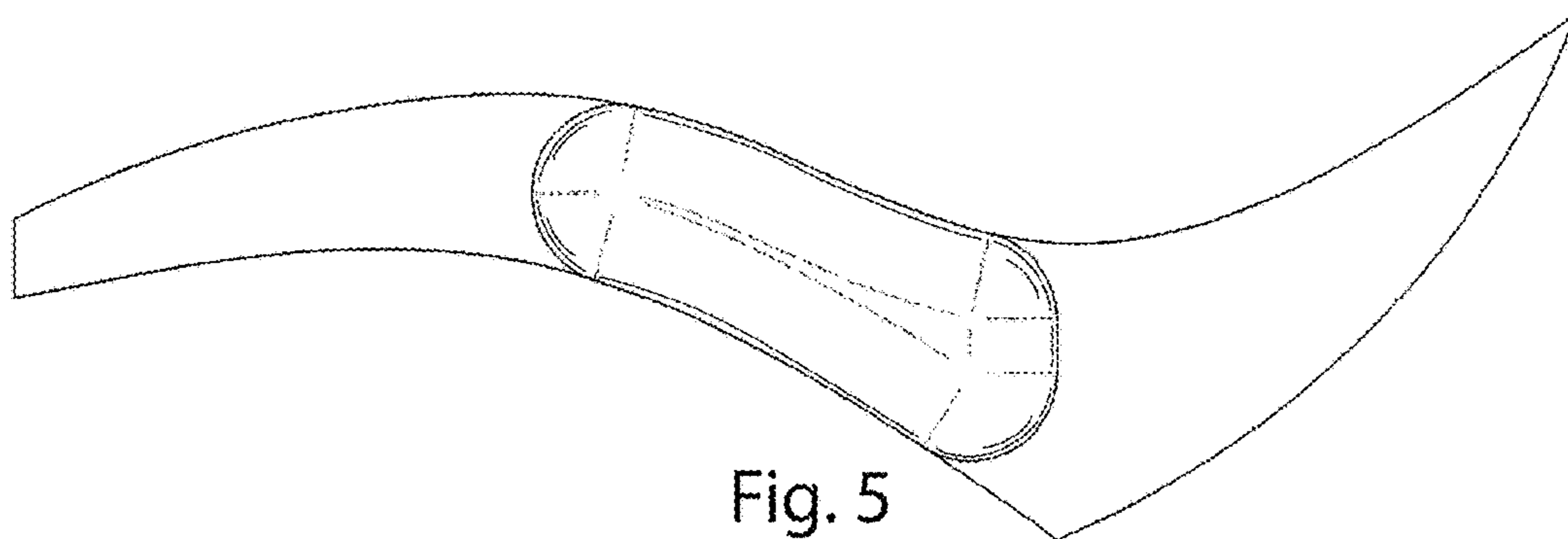


Fig. 5

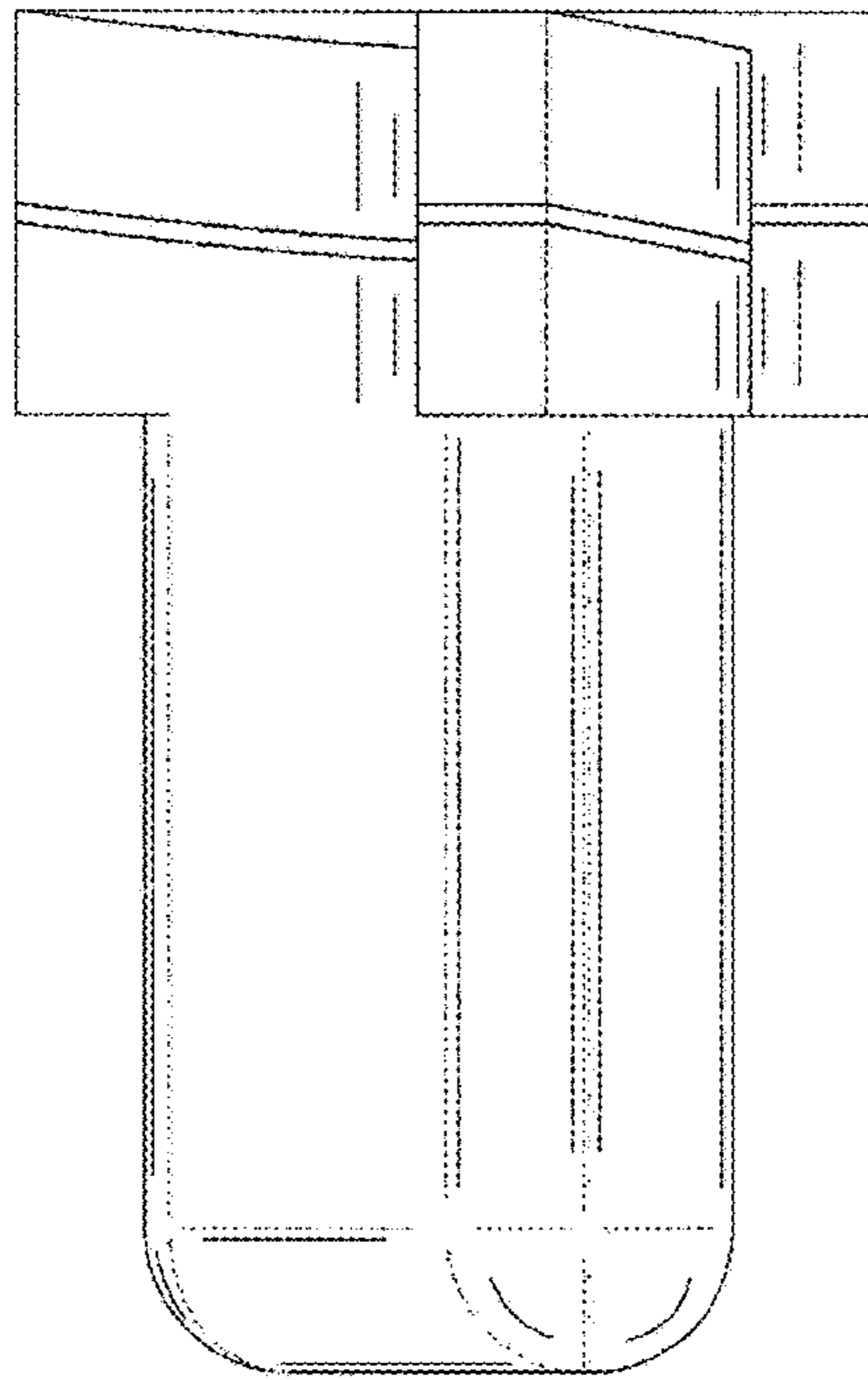


Fig. 6

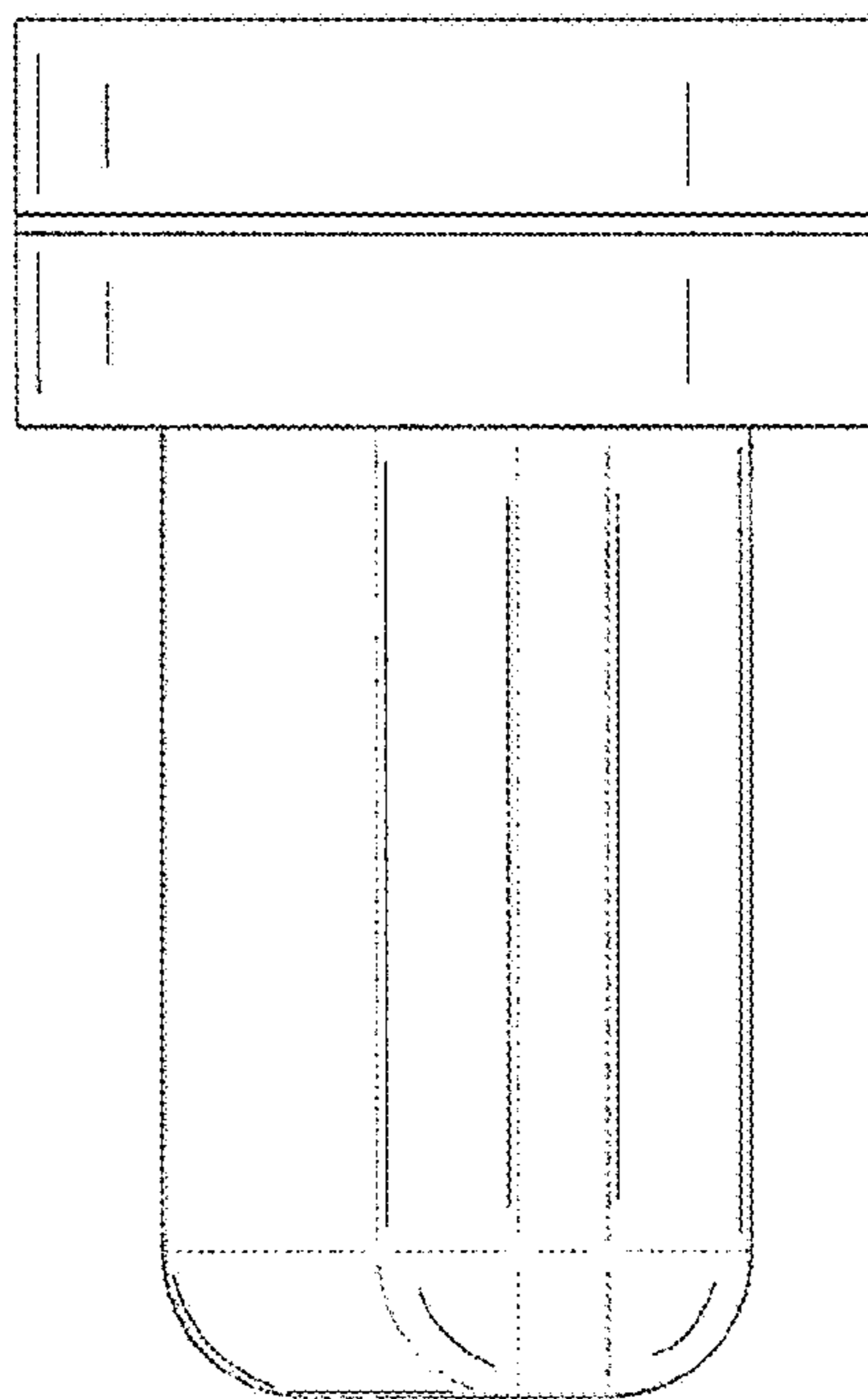


Fig. 7

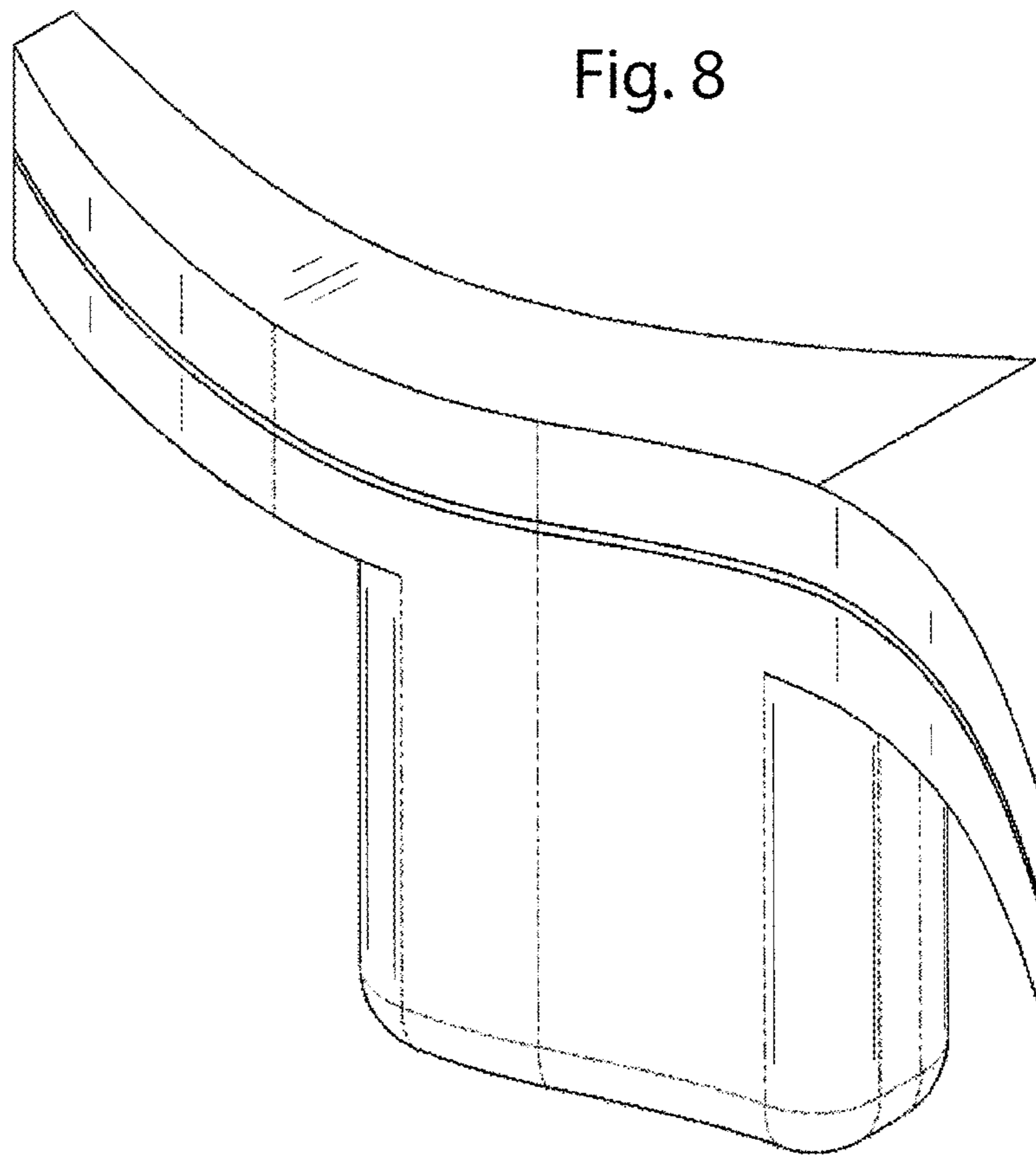


Fig. 8

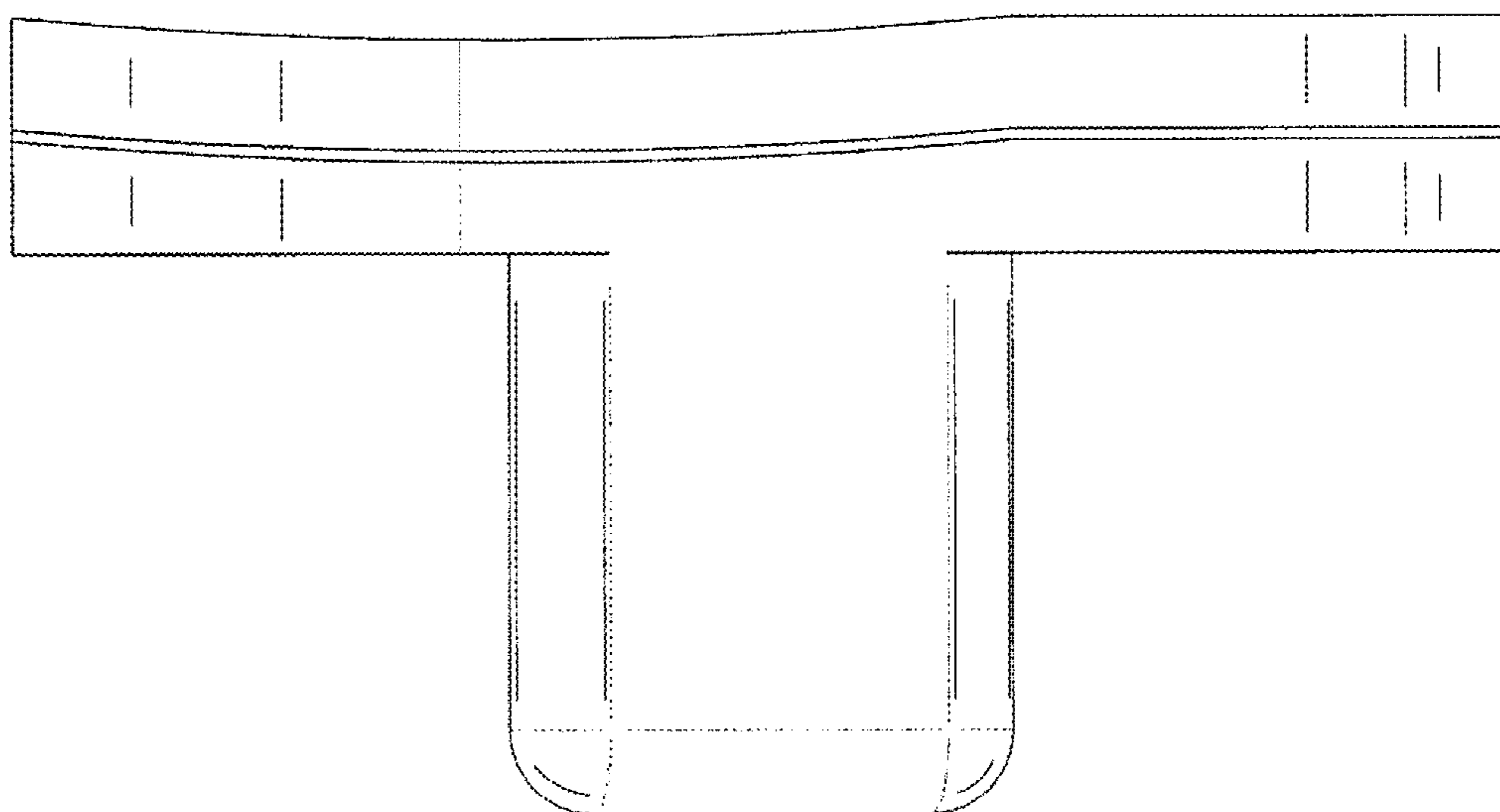


Fig. 9

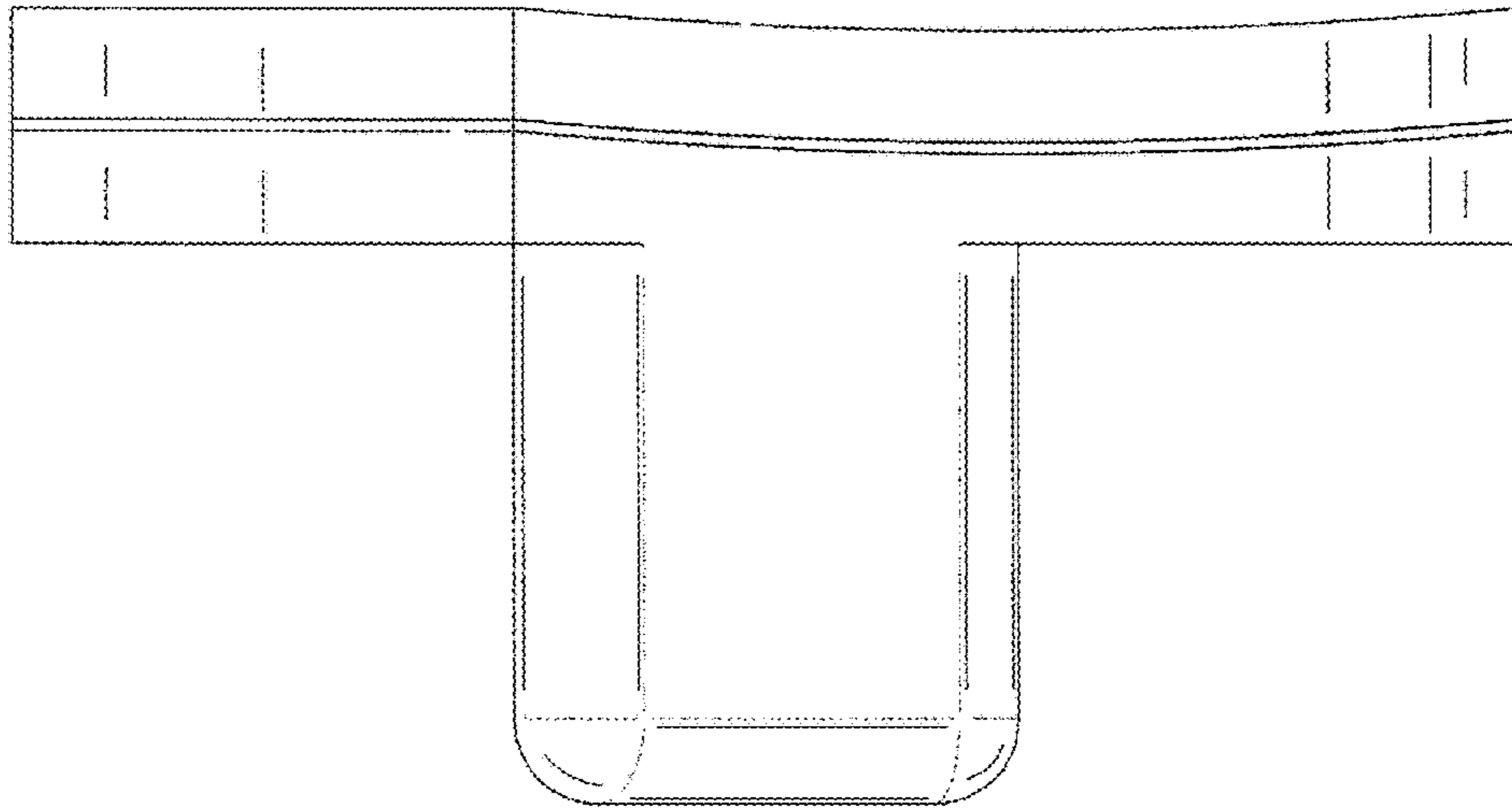


Fig. 10

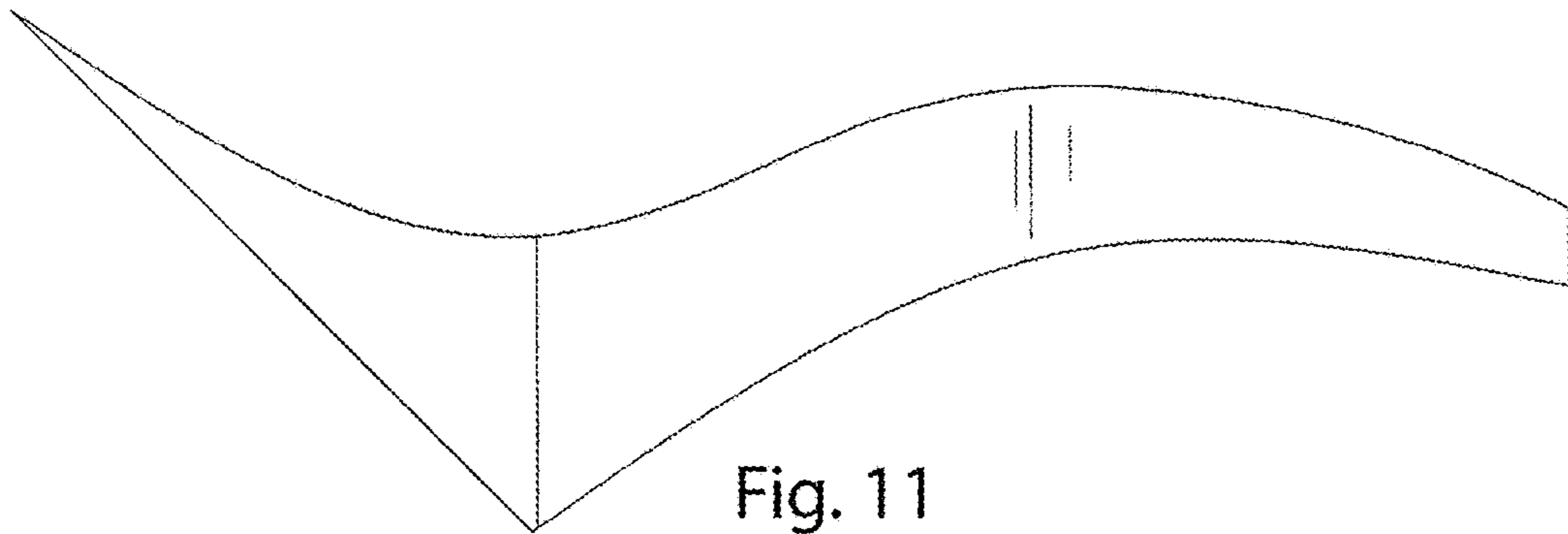


Fig. 11

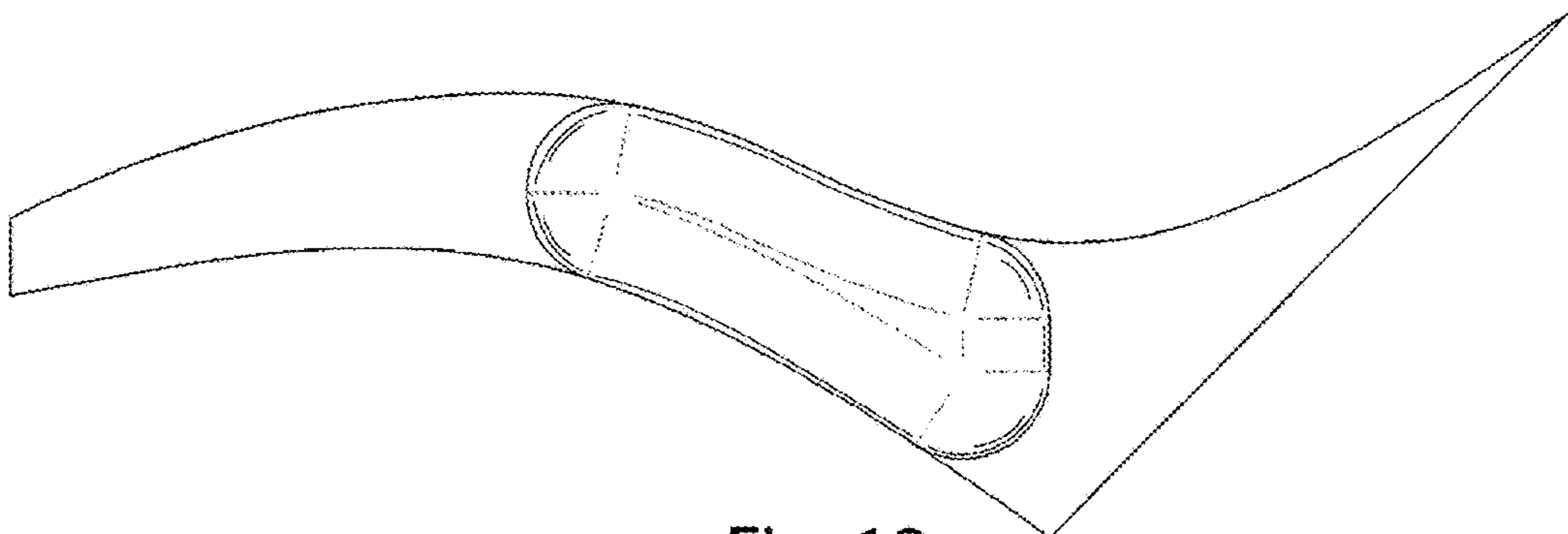


Fig. 12

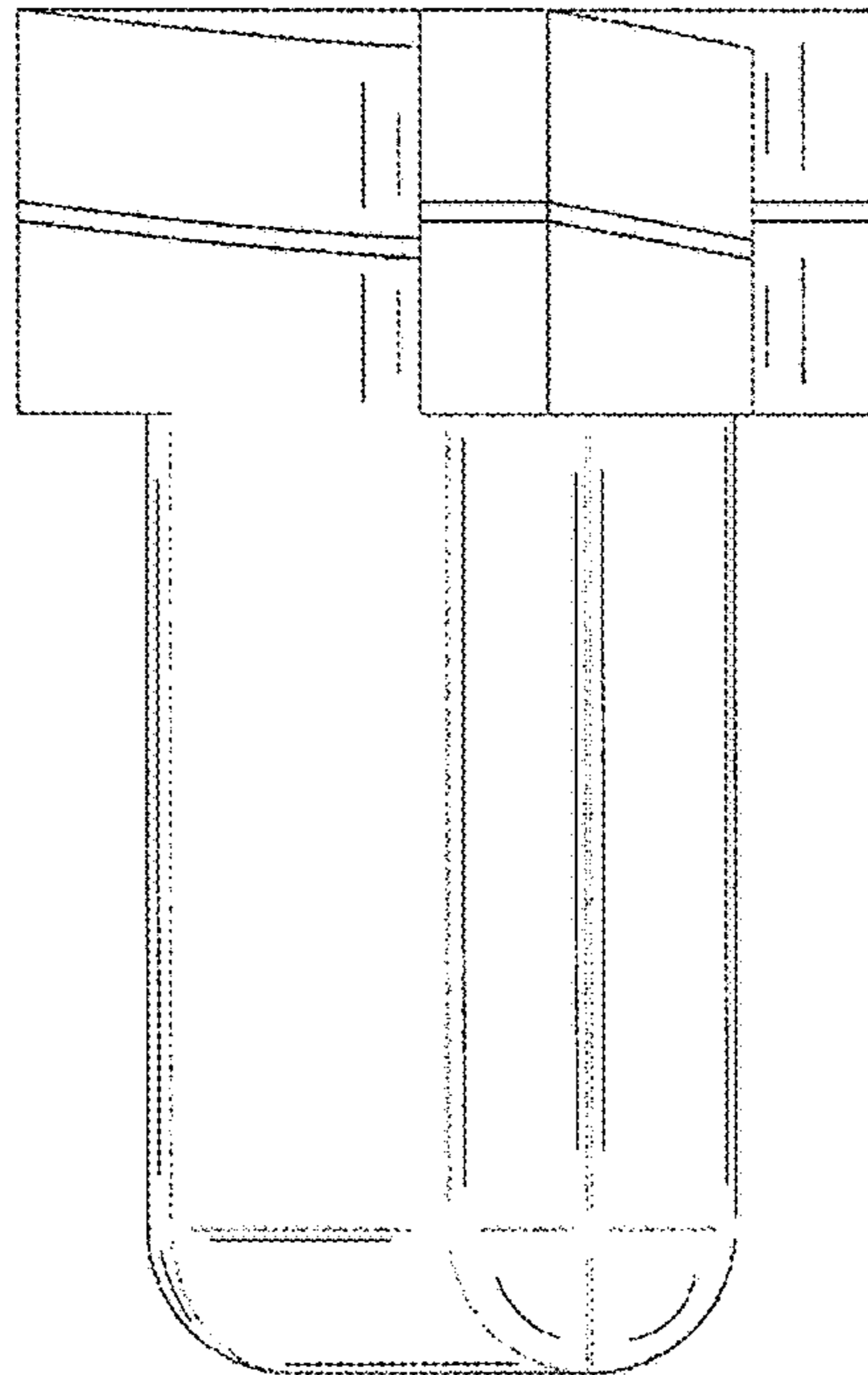


Fig. 13

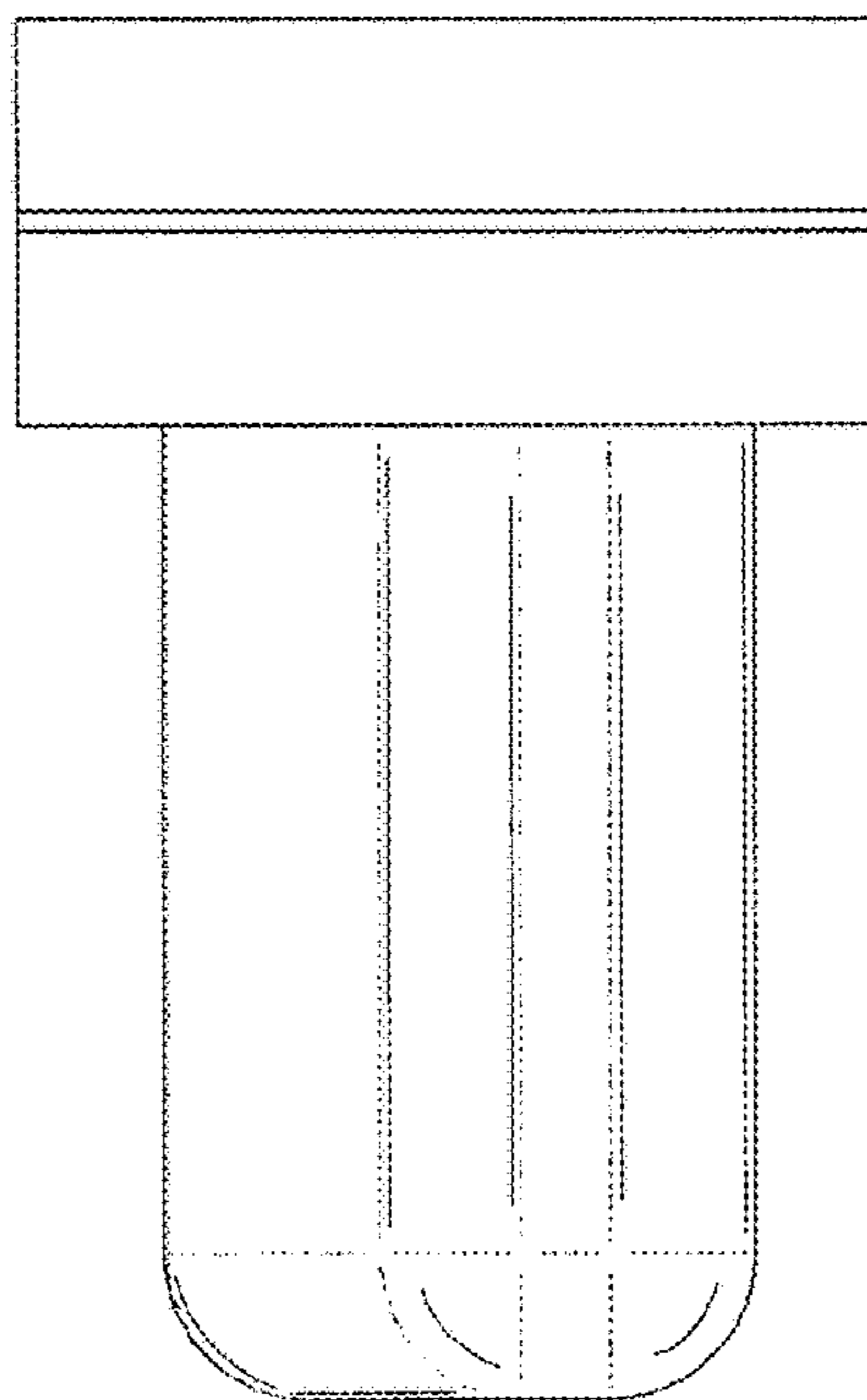


Fig. 14