



US00D780993S

(12) **United States Design Patent**  
**Bramley et al.**

(10) **Patent No.:** **US D780,993 S**  
(45) **Date of Patent:** **\*\* Mar. 7, 2017**

(54) **MOUTHPIECE FOR A SMOKING ARTICLE**

3,587,573 A 6/1971 Flack  
3,720,235 A \* 3/1973 Schrock ..... F16L 11/121  
128/204.18

(71) Applicant: **Altria Client Services LLC**,  
Richmond, VA (US)

D229,725 S 12/1973 Berger  
D229,788 S 1/1974 Berger  
D229,789 S 1/1974 Berger  
D229,790 S 1/1974 Berger

(72) Inventors: **Alistair Bramley**, Richmond, VA (US);  
**George Stafford**, Richmond, VA (US);  
**Eric Hawes**, Richmond, VA (US);  
**Traci Martin**, Richmond, VA (US);  
**Berina Yerkic-Husejnovic**, Richmond,  
VA (US)

D254,930 S \* 5/1980 Mandon ..... D23/369  
(Continued)

(73) Assignee: **Altria Client Services LLC**,  
Richmond, VA (US)

**FOREIGN PATENT DOCUMENTS**

CN 202890464 U 4/2013  
WO WO-2013089358 A1 6/2013

(\*\*) Term: **15 Years**

**OTHER PUBLICATIONS**

(21) Appl. No.: **29/560,805**

Notice of Allowance for corresponding U.S. Appl. No. 29/531,410  
dated May 26, 2016.

(22) Filed: **Apr. 11, 2016**

(Continued)

**Related U.S. Application Data**

*Primary Examiner* — Susan Bennett Hattan

(62) Division of application No. 29/503,697, filed on Sep.  
29, 2014, now abandoned.

*Assistant Examiner* — Jennifer Wright

(51) **LOC (10) Cl.** ..... **27-02**

(74) *Attorney, Agent, or Firm* — Harness, Dickey &  
Pierce, P.L.C.

(52) **U.S. Cl.**  
USPC ..... **D27/170**

(57) **CLAIM**

(58) **Field of Classification Search**  
USPC ..... D27/101, 105, 108, 123, 129, 163,  
164, D27/169, 172, 175, 183, 184, 186,  
187, 189, D27/190, 193, 195; D25/126;  
D24/110; D9/529; D23/412, 390, 397,  
366, 367, 369; D8/300, D8/349–352,  
354–356

The ornamental design for a mouthpiece for a smoking  
article, as shown and described.

CPC ..... A61M 15/009; A24F 1/02; A24F 1/04;  
A24F 1/08; A24F 1/16; A24F 1/28; A24F  
1/30

**DESCRIPTION**

See application file for complete search history.

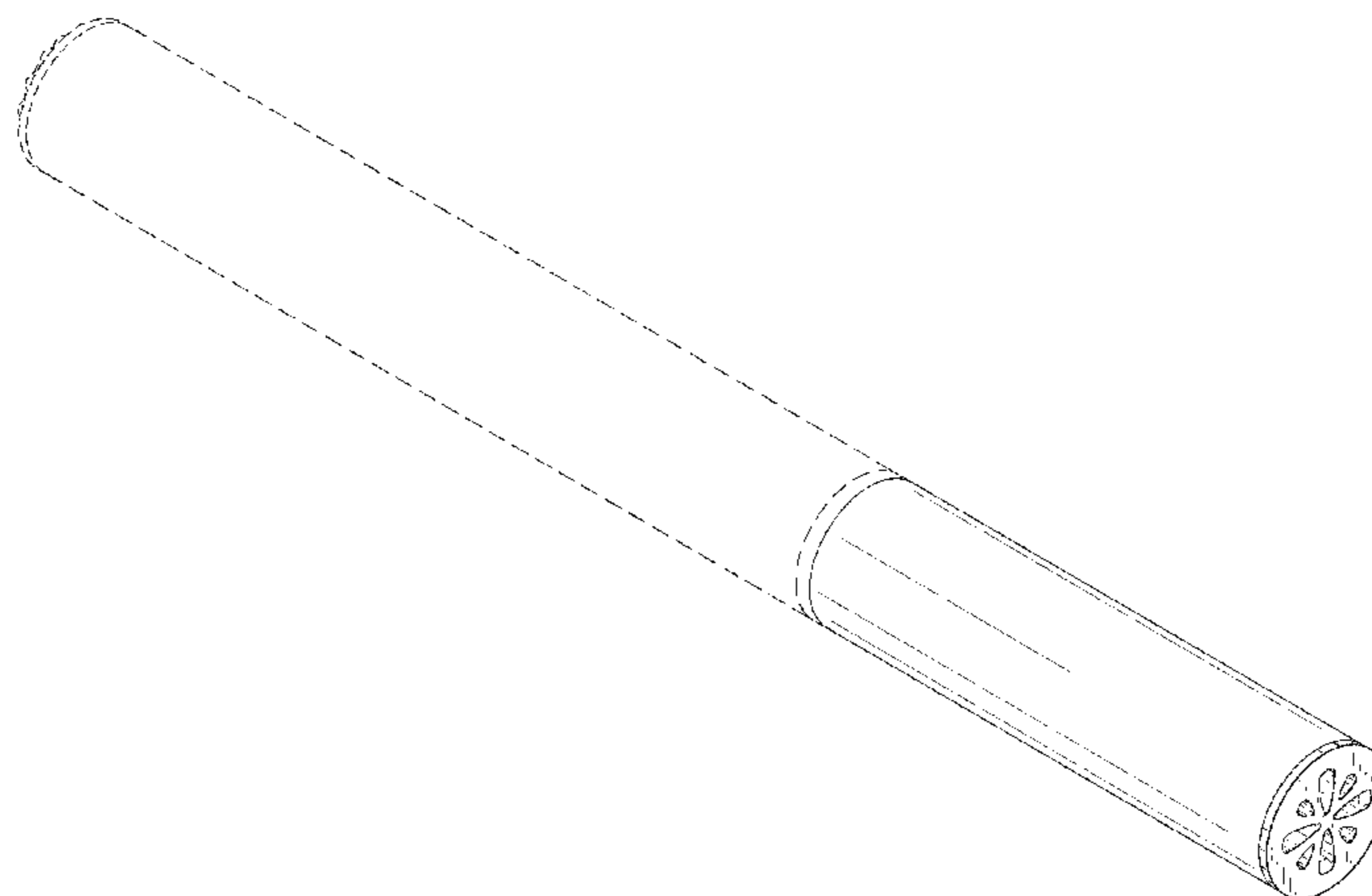
FIG. 1 is a perspective view of a mouthpiece for a smoking  
article showing our new design.  
FIG. 2 is a side elevational view thereof; and,  
FIG. 3 is a right end elevational view thereof.  
The broken lines seen within the petal shaped apertures in  
FIGS. 1 and 3 depict parts of the mouthpiece for a smoking  
article that form no part of the claimed design; while the  
remaining broken lines showing the smoking article depict  
environmental subject matter only and form no part of the  
claimed design.

(56) **References Cited**

**U.S. PATENT DOCUMENTS**

D142,842 S 11/1945 Daze  
D212,753 S \* 11/1968 Tughan ..... D23/369

**1 Claim, 2 Drawing Sheets**



(56)

References Cited

U.S. PATENT DOCUMENTS

D254,931 S \* 5/1980 Mandon ..... D23/369  
 D267,121 S 11/1982 Min  
 4,429,703 A 2/1984 Haber  
 D275,223 S 8/1984 Marxen  
 4,945,929 A 8/1990 Egilmex  
 5,042,510 A \* 8/1991 Curtiss ..... A24F 47/002  
 131/270  
 5,095,921 A \* 3/1992 Losee ..... A24F 47/008  
 128/200.19  
 5,179,966 A \* 1/1993 Losee ..... A24F 47/008  
 128/202.21  
 5,269,327 A \* 12/1993 Counts ..... A24F 47/008  
 128/200.14  
 D347,490 S 5/1994 Gee et al.  
 D375,159 S \* 10/1996 Johansson ..... D23/266  
 D384,283 S \* 9/1997 Davies ..... D9/731  
 D404,459 S \* 1/1999 Furner ..... D22/119  
 D404,629 S 1/1999 Cooper  
 D405,220 S 2/1999 Dal Monte  
 6,061,950 A \* 5/2000 Carey ..... A01M 1/2066  
 422/126  
 6,231,336 B1 \* 5/2001 Chen ..... F21V 35/00  
 362/163  
 6,357,448 B1 3/2002 Sinclair, Jr.  
 6,649,268 B1 11/2003 Komine et al.  
 D484,963 S 1/2004 Jones et al.  
 D489,679 S 5/2004 Wong  
 D497,423 S 10/2004 Muir et al.  
 D508,199 S \* 8/2005 Winig ..... D8/356  
 D534,682 S 1/2007 Malhi  
 D548,086 S \* 8/2007 Conway ..... D7/300.1  
 D550,378 S \* 9/2007 Adams ..... D26/23  
 D550,829 S \* 9/2007 Buthier ..... D23/367  
 D555,085 S 11/2007 Kim  
 D591,415 S 4/2009 Wu  
 D633,034 S 2/2011 Heine et al.  
 D641,464 S \* 7/2011 De Haan ..... D23/366  
 D644,375 S 8/2011 Zhou  
 8,002,897 B2 8/2011 Palfy et al.  
 D646,431 S 10/2011 Awty et al.  
 D651,338 S 12/2011 Awty et al.  
 D662,257 S 6/2012 Alelov  
 D684,311 S 6/2013 Liu  
 D685,522 S \* 7/2013 Potter ..... D27/101  
 D686,717 S \* 7/2013 Mack ..... D23/366  
 D688,415 S 8/2013 Kim  
 8,499,766 B1 \* 8/2013 Newton ..... A24F 47/008  
 131/273  
 D691,765 S \* 10/2013 Tucker ..... D27/101  
 D691,766 S \* 10/2013 Tucker ..... D27/101  
 D692,612 S \* 10/2013 Lowenthal ..... D13/103  
 D692,613 S 10/2013 Morreale  
 D694,468 S 11/2013 Chen  
 D695,449 S \* 12/2013 Tucker ..... D27/101  
 D702,478 S 4/2014 Wai  
 8,707,965 B2 4/2014 Newton  
 8,833,364 B2 9/2014 Buchberger  
 8,881,737 B2 11/2014 Collett et al.  
 8,888,311 B2 11/2014 Parsons  
 8,897,628 B2 11/2014 Conley et al.  
 D720,499 S 12/2014 Alima  
 8,939,943 B2 1/2015 Edwards et al.  
 D722,196 S 2/2015 Tucker et al.  
 8,950,395 B2 2/2015 Schennum  
 D724,262 S \* 3/2015 Hearn ..... D27/101  
 D724,781 S \* 3/2015 Hearn ..... D27/101  
 D725,821 S 3/2015 Levin et al.  
 D727,564 S 4/2015 LaForge et al.  
 D727,565 S 4/2015 LaForge et al.  
 D728,154 S 4/2015 Lavanchy et al.  
 D729,439 S \* 5/2015 Scatterday ..... D27/101  
 D730,571 S 5/2015 Chen  
 9,050,427 B2 \* 6/2015 Harris ..... A61M 15/0045  
 D738,567 S 9/2015 Tucker et al.

D739,598 S 9/2015 Lavanchy et al.  
 D742,021 S 10/2015 Labuschagne et al.  
 D743,097 S \* 11/2015 Tucker ..... D27/101  
 D743,622 S 11/2015 Alima  
 D747,547 S 1/2016 Liu  
 D748,323 S 1/2016 Tucker et al.  
 D749,509 S 2/2016 Blau  
 D750,834 S 3/2016 Wei  
 D754,919 S \* 4/2016 Alarcon ..... D27/101  
 D756,564 S 5/2016 Yerkic-Husejnovic et al.  
 D767,820 S \* 9/2016 Jordan ..... D27/170  
 2012/0053512 A1 3/2012 Muse  
 2013/0068239 A1 3/2013 Youn  
 2013/0087160 A1 4/2013 Gherghe  
 2013/0140200 A1 6/2013 Scatterday  
 2013/0167854 A1 7/2013 Shin  
 2013/0192615 A1 8/2013 Tucker et al.  
 2013/0192623 A1 8/2013 Tucker et al.  
 2013/0213419 A1 8/2013 Tucker et al.  
 2013/0228190 A1 9/2013 Weiss et al.  
 2013/0298905 A1 11/2013 Levin et al.  
 2013/0312742 A1 11/2013 Monsees et al.  
 2013/0319440 A1 12/2013 Capuano  
 2013/0327345 A1 12/2013 Clarke  
 2013/0340775 A1 12/2013 Juster et al.  
 2014/0014124 A1 1/2014 Glasberg et al.  
 2014/0020693 A1 1/2014 Cochand et al.  
 2014/0034070 A1 2/2014 Schennum  
 2014/0053856 A1 2/2014 Liu  
 2014/0060554 A1 3/2014 Collett et al.  
 2014/0076310 A1 3/2014 Newton  
 2014/0174458 A1 6/2014 Katz  
 2014/0202477 A1 7/2014 Qi et al.  
 2014/0209105 A1 7/2014 Sears et al.  
 2014/0224267 A1 8/2014 Levitz et al.  
 2014/0270727 A1 9/2014 Ampolini et al.  
 2014/0283859 A1 9/2014 Minskoff et al.  
 2014/0318558 A1 10/2014 Liu  
 2014/0336565 A1 11/2014 Nichols  
 2014/0345632 A1 \* 11/2014 Scatterday ..... A24F 47/008  
 131/329  
 2014/0345635 A1 11/2014 Rabinowitz et al.  
 2014/0355969 A1 12/2014 Stern  
 2014/0360516 A1 12/2014 Liu  
 2015/0020827 A1 1/2015 Liu  
 2015/0020828 A1 1/2015 Liu  
 2015/0027470 A1 1/2015 Kane et al.  
 2015/0059784 A1 3/2015 Liu  
 2015/0144148 A1 5/2015 Chen  
 2015/0150307 A1 6/2015 Liu  
 2015/0196059 A1 7/2015 Liu  
 2015/0208726 A1 7/2015 Liu  
 2015/0245657 A1 9/2015 Memari et al.  
 2015/0296889 A1 10/2015 Liu  
 2015/0328415 A1 \* 11/2015 Minskoff ..... A61M 15/0001  
 128/202.21  
 2015/0332379 A1 \* 11/2015 Alarcon ..... G06Q 30/0635  
 705/26.81  
 2016/0150823 A1 6/2016 Liu

OTHER PUBLICATIONS

Notice of Allowance for corresponding U.S. Appl. No. 29/527,149 dated Jun. 8, 2016.  
 Notice of Allowance for corresponding U.S. Appl. No. 29/531,427 dated Jun. 2, 2016.  
 Notice of Allowance for corresponding U.S. Appl. No. 29/527,151 dated May 25, 2016.  
 Mouthpiece of Smoking Article | Nikotek 3pk Cartridge | Metro, post date N/A, @ 2015 metroecigs.com, [online], [site visited Nov. 24, 2015], Available from Internet, <http://www.metroecigs.com/product/metromentholnonicotinecartridges.asp>.  
 Mouthpiece of Smoking Article | V2 Cigs Blue | Ecigarette Reviewed | post date Mar. 24, 2014 © 2015 ecigaretterevied.com, [online], [site visited Nov. 24, 2015] Available from Internet, <http://ecigaretterevied.com/blu-cigs-review/>.

(56)

**References Cited**

OTHER PUBLICATIONS

“Smokio: Smart Wireless E-cigarette,” <http://www.premium-lifestyle.com.uk/products/smokio-smart-wireless-e-cigarette>.

About Electronic Cigarettes/ Vapor Cigarettes/E-cigs <https://www.vapinapes.com/about-vapor-cigarettes/>.

Supersmoke: The Latest Supersmoker Bluetooth, <http://www.supersmokerbluetooth.com/>.

Kosmo, <https://www.indiegogo.com.com/projects/kosmo-ecigarette>.

<<http://www.kelvin.en.made-in-china.com/productimage/FghEJNdCeOVw-2f1j00KeBtCALgEjYE/China-High-Quality-Triangular-Trimark-E-Cioarette.html>> copyright 2015, Focus Technology Co., Ltd.

Notice of Allowance for corresponding U.S. Appl. No. 29/531,410 dated Mar. 25, 2016.

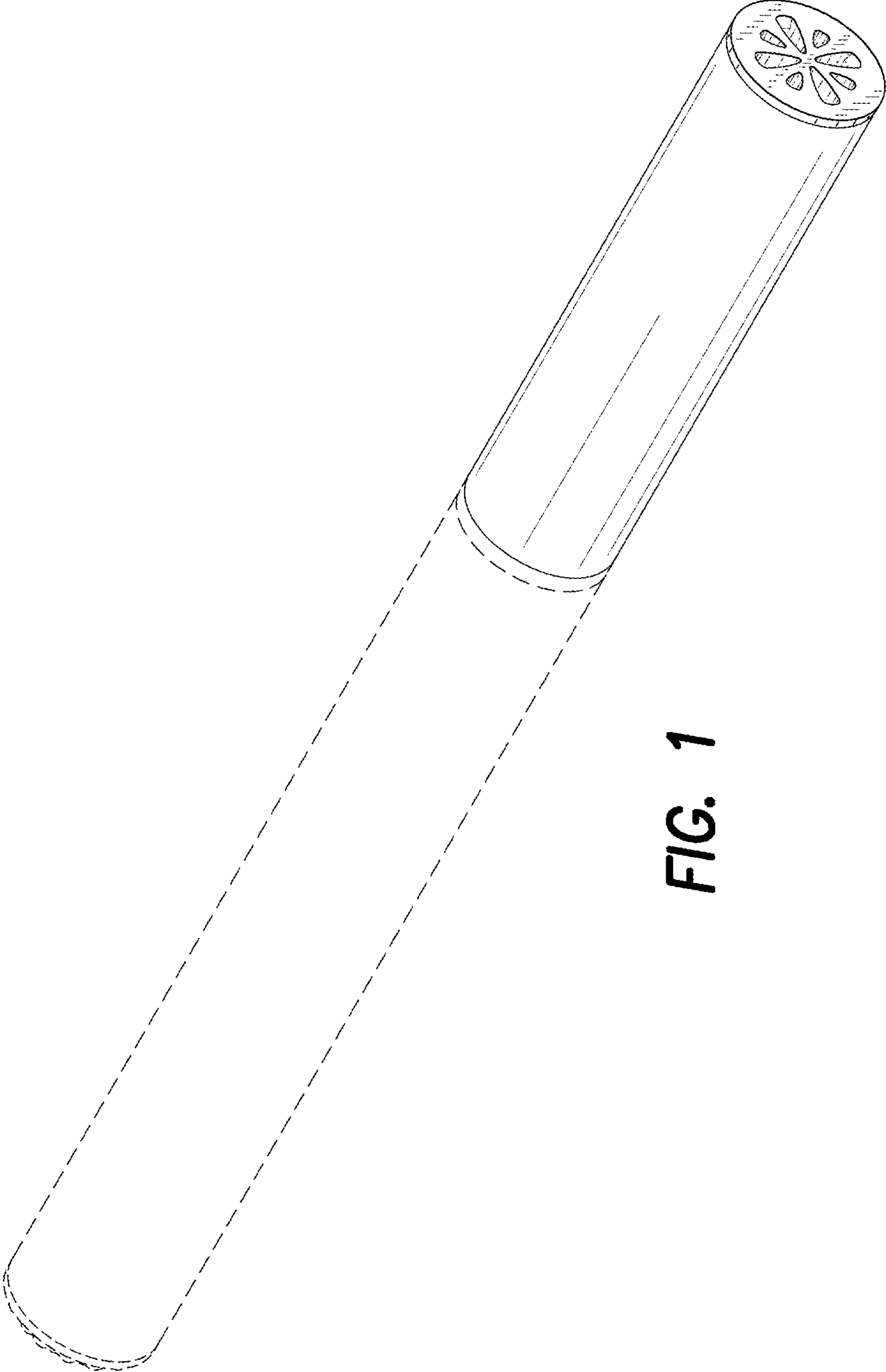
Notice of Allowance for corresponding U.S. Appl. No. 29/531,427 dated Apr. 5, 2016.

Notice of Allowance for corresponding U.S. Appl. No. 29/527,151 dated Mar. 30, 2016.

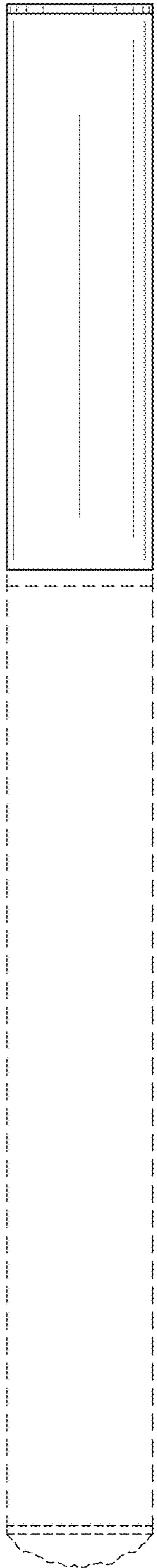
Non-Final Office Action for corresponding U.S. Appl. No. 29/527,153 dated Mar. 28, 2016.

Notice of Allowance for corresponding U.S. Appl. No. 29/527,149 dated Apr. 11, 2016.

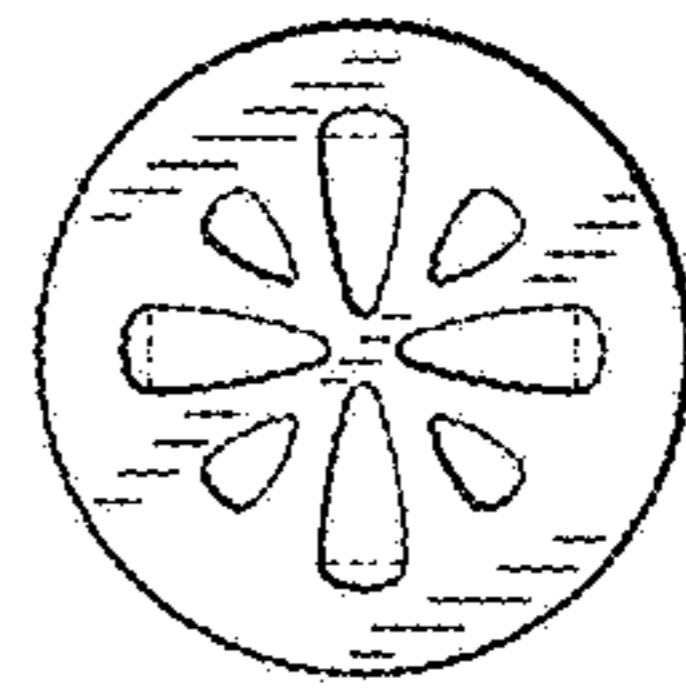
\* cited by examiner



**FIG. 1**



**FIG. 2**



**FIG. 3**