



US00D780992S

(12) **United States Design Patent**
Lozier

(10) **Patent No.:** **US D780,992 S**
(45) **Date of Patent:** **** Mar. 7, 2017**

- (54) **CAN ASHTRAY**
- (71) Applicant: **Justin Lozier**, Nashua, NH (US)
- (72) Inventor: **Justin Lozier**, Nashua, NH (US)
- (**) Term: **15 Years**
- (21) Appl. No.: **29/527,882**
- (22) Filed: **May 22, 2015**
- (51) **LOC (10) Cl.** **27-03**
- (52) **U.S. Cl.**
USPC **D27/103; D27/125**
- (58) **Field of Classification Search**
USPC D27/102-106, 108-109, 112, 118, 121,
D27/123-126, 130, 133-135, 137, 139,
D27/141-143, 148, 152-153, 160-161
CPC .. A24F 19/00; A24F 19/0035; A24F 19/0085;
A24F 15/08; A24F 19/10; A24F 15/10
See application file for complete search history.

- 4,423,743 A * 1/1984 Spielvogel A24F 19/10
131/231
 - 4,634,014 A * 1/1987 Carr A24F 19/00
131/231
 - D309,352 S * 7/1990 Harder D27/135
 - 5,105,832 A * 4/1992 Tasse A24F 19/145
131/240.1
 - D350,481 S * 9/1994 DeLury D27/133
- (Continued)

Primary Examiner — Susan Bennett Hattan
Assistant Examiner — Janice Hallmark
 (74) *Attorney, Agent, or Firm* — Gary E. Lambert; David J. Connaughton, Jr.; Lambert & Associates

(57) **CLAIM**

The ornamental design for a can ashtray, as shown and described.

DESCRIPTION

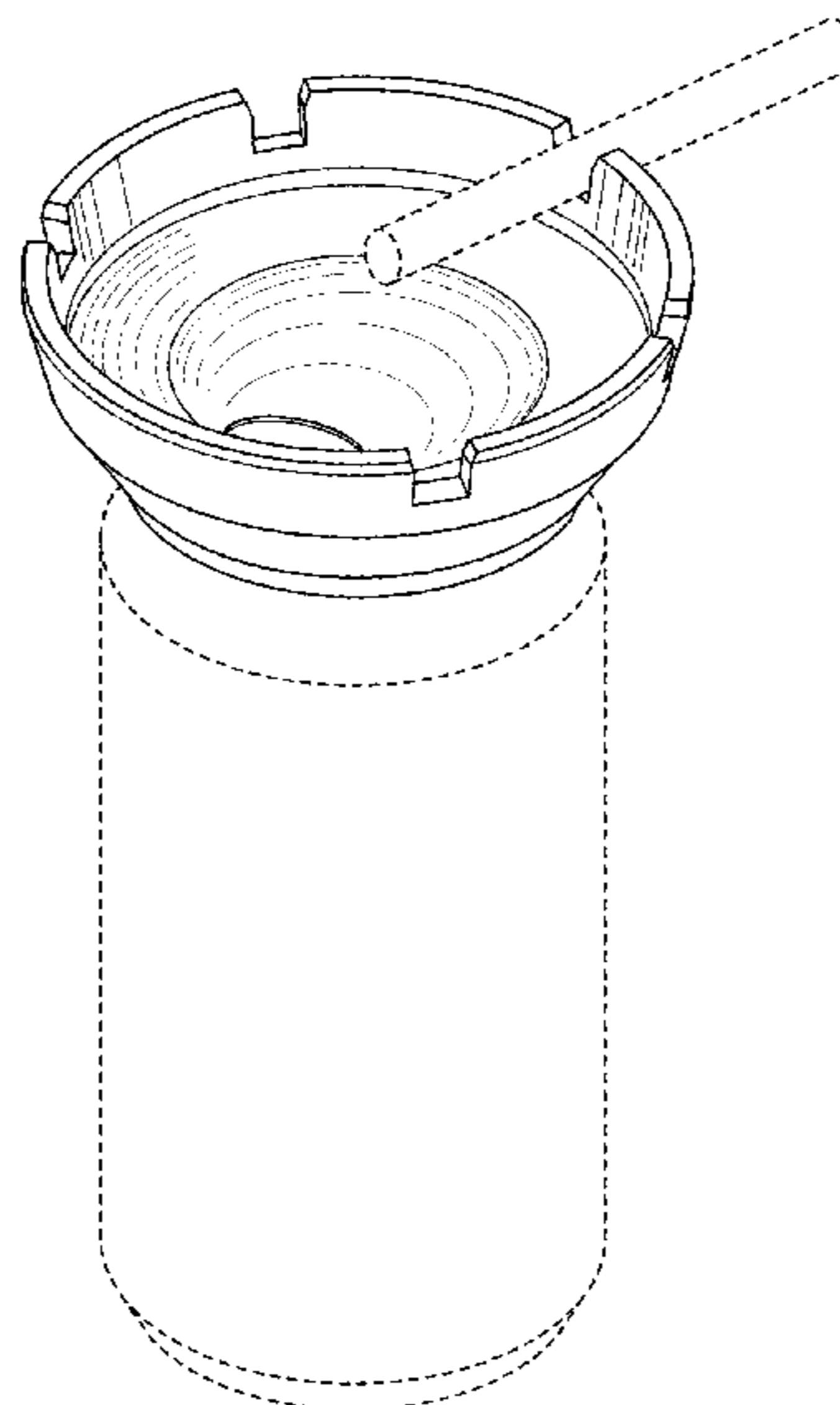
FIG. 1 is a perspective view of a can ashtray showing my new design;
 FIG. 2 is a front side view thereof;
 FIG. 3 is a back side view thereof;
 FIG. 4 is a right side view of thereof, the left is a mirror image;
 FIG. 5 is a top plan view thereof;
 FIG. 6 is another perspective view thereof, showing the can ashtray in a state of use;
 FIG. 7 is a right side view thereof, showing the can ashtray in a position of use; and,
 FIG. 8 is a right side view thereof, showing the can ashtray in an alternate position of use.
 The dash-dash broken lines in FIG. 2 depict the bounds of the claimed design. The dash-dash broken lines in FIG. 6, FIG. 7, and FIG. 8 depict a cigarette and can that form no part of the claimed design.

(56) **References Cited**

U.S. PATENT DOCUMENTS

- 1,695,346 A * 12/1928 Reese A24F 19/0078
131/231
- 2,158,770 A * 5/1939 Bartlett A24F 19/00
131/242
- 2,595,103 A * 4/1952 Schmaling, Sr. ... A24F 19/0078
131/235.1
- 2,714,464 A * 8/1955 Cline A24F 19/00
131/240.1
- 2,894,655 A * 7/1959 Bergan A24F 19/00
131/242
- 4,133,319 A * 1/1979 Bloomfield A24F 19/00
131/241
- 4,187,864 A * 2/1980 Taddeo A24F 19/145
131/242
- D258,468 S * 3/1981 Whitlock D27/104
- 4,312,346 A * 1/1982 Grigg A24F 19/00
131/231

1 Claim, 5 Drawing Sheets



(56)

References Cited

U.S. PATENT DOCUMENTS

5,370,261 A * 12/1994 Lin A24F 19/00
220/277
D381,115 S * 7/1997 Diccio D27/125
5,673,709 A * 10/1997 Brothers A24F 19/10
131/231
D395,097 S * 6/1998 Barton D27/135
D399,025 S * 9/1998 Whitlock D27/134
6,161,549 A * 12/2000 Lee A24F 19/0042
131/231
D442,736 S * 5/2001 McGilvray D27/118
D455,225 S * 4/2002 Whitlock D27/133
D468,857 S * 1/2003 Foote D27/104
6,606,996 B1 * 8/2003 Thornell A24F 19/0085
131/231
D493,011 S * 7/2004 Foote D27/104
D496,753 S * 9/2004 Thornell D27/105
D505,225 S * 5/2005 Pavic D27/103
D508,754 S * 8/2005 Haywood D27/120
2009/0272390 A1 * 11/2009 Blondeel A24F 19/0092
131/231
2010/0065072 A1 * 3/2010 Ying Ching A24F 19/0085
131/231

* cited by examiner

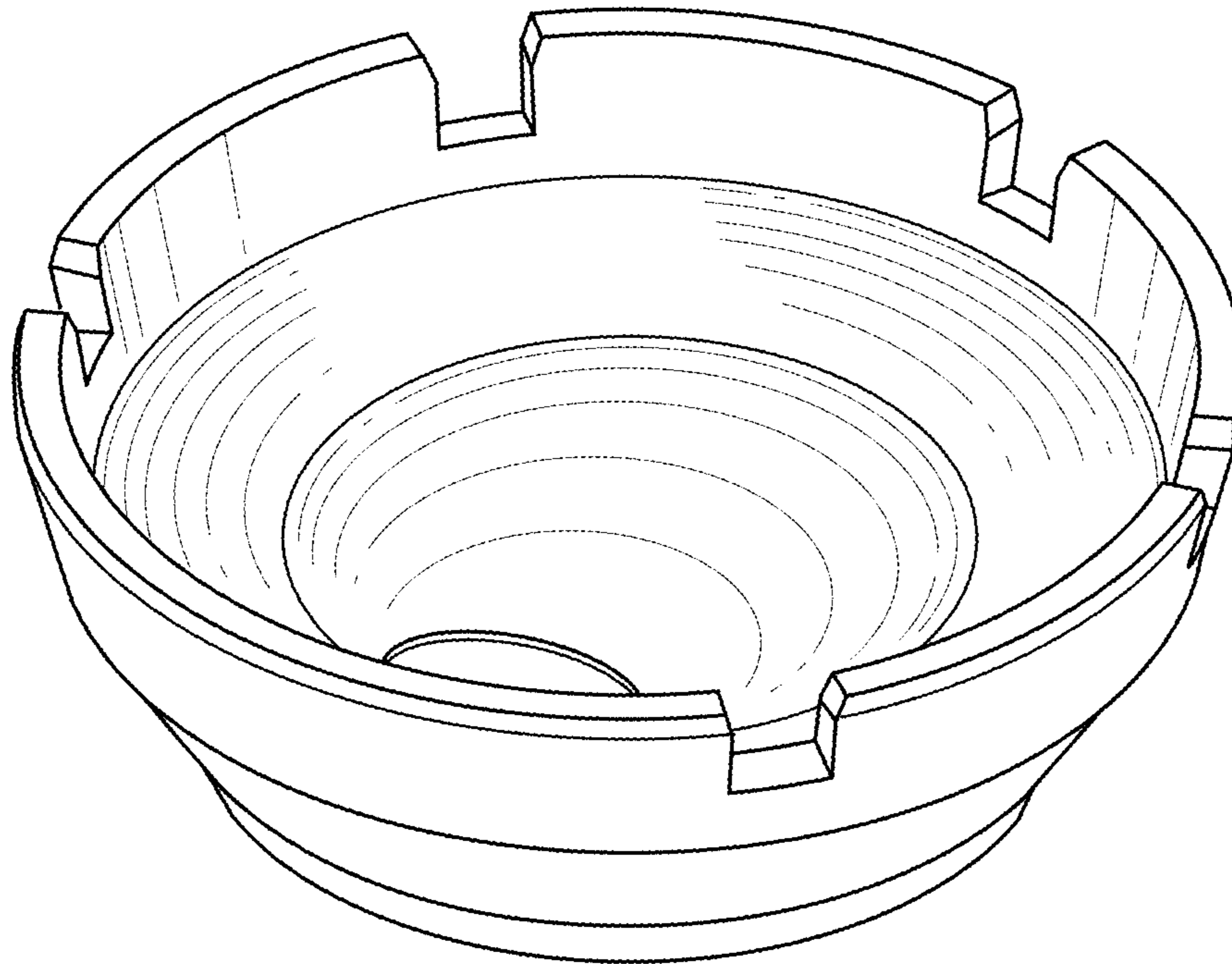


Fig. 1

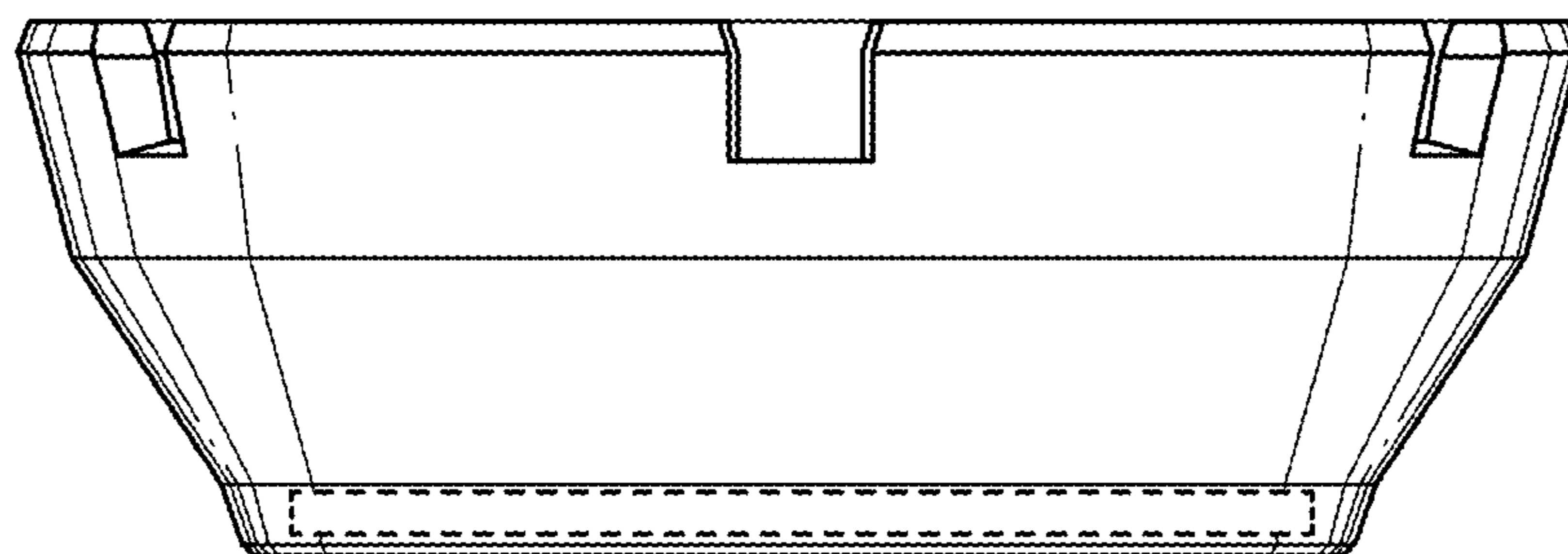


Fig. 2

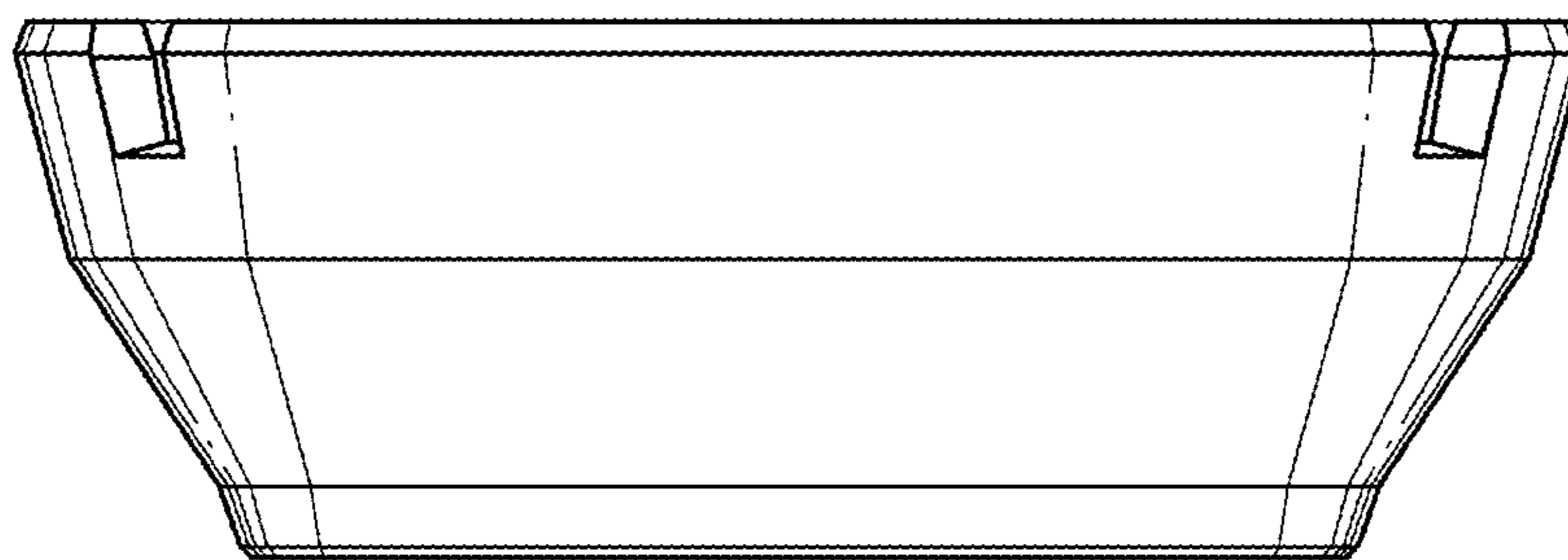


Fig. 3

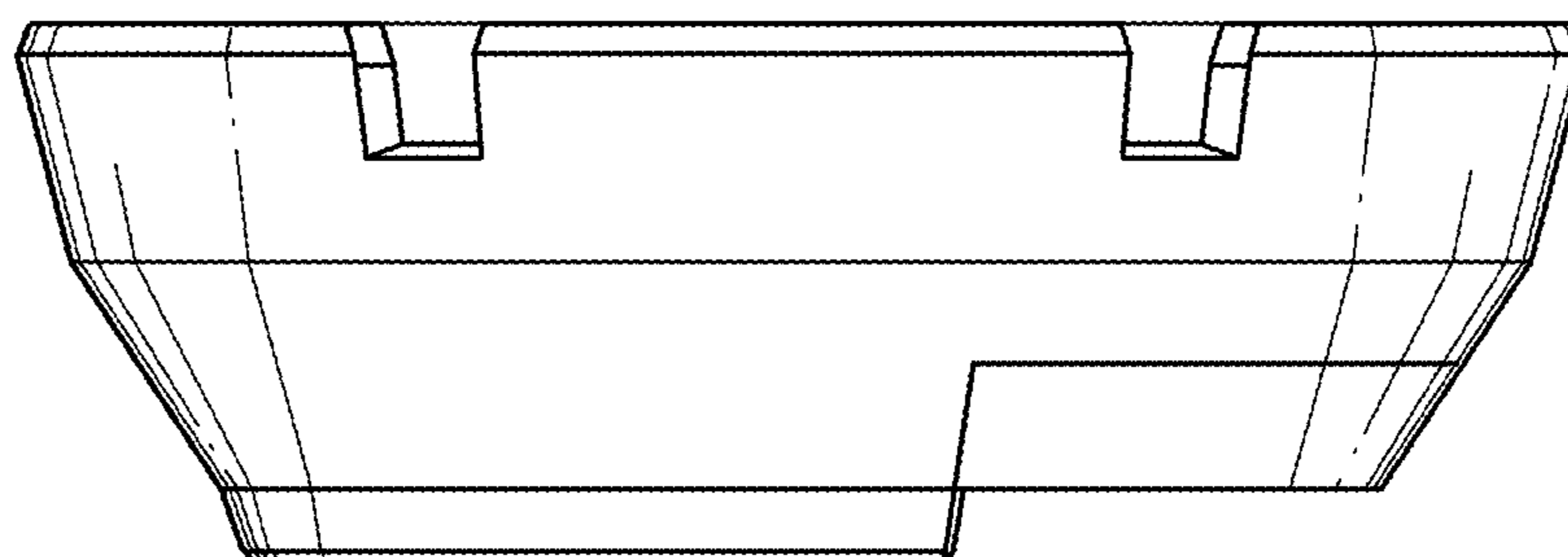


Fig. 4

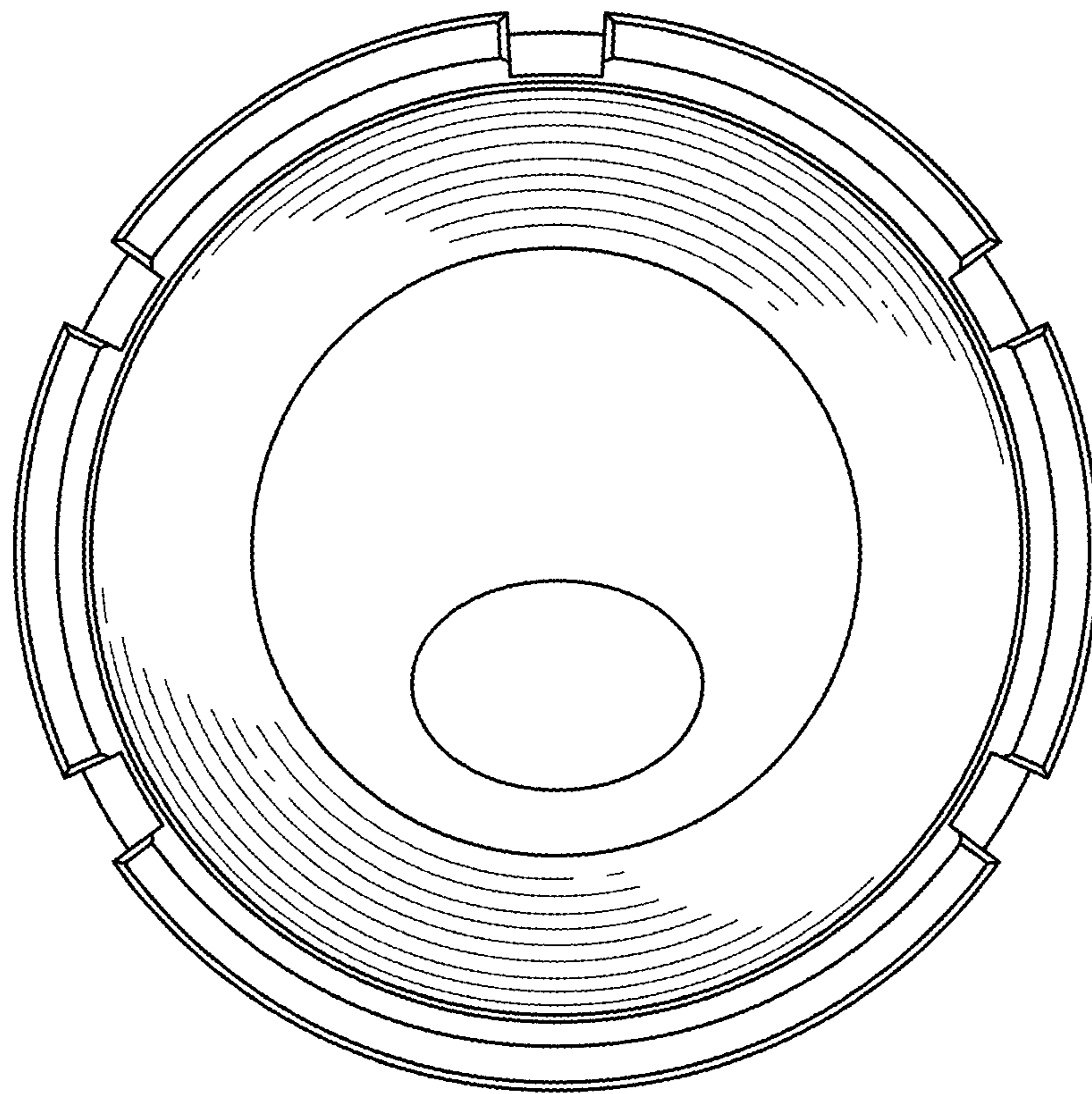


Fig. 5

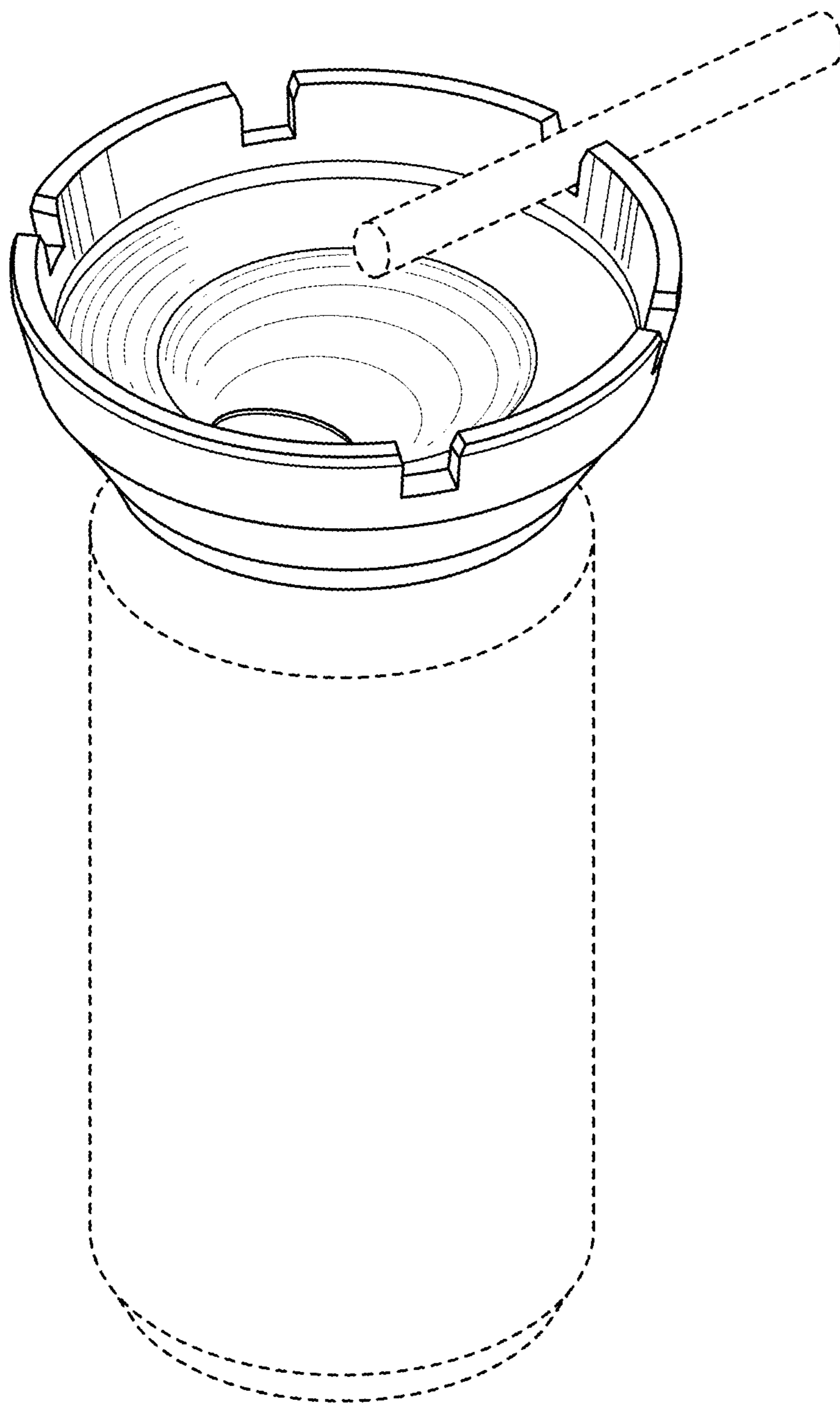


Fig. 6



Fig. 8

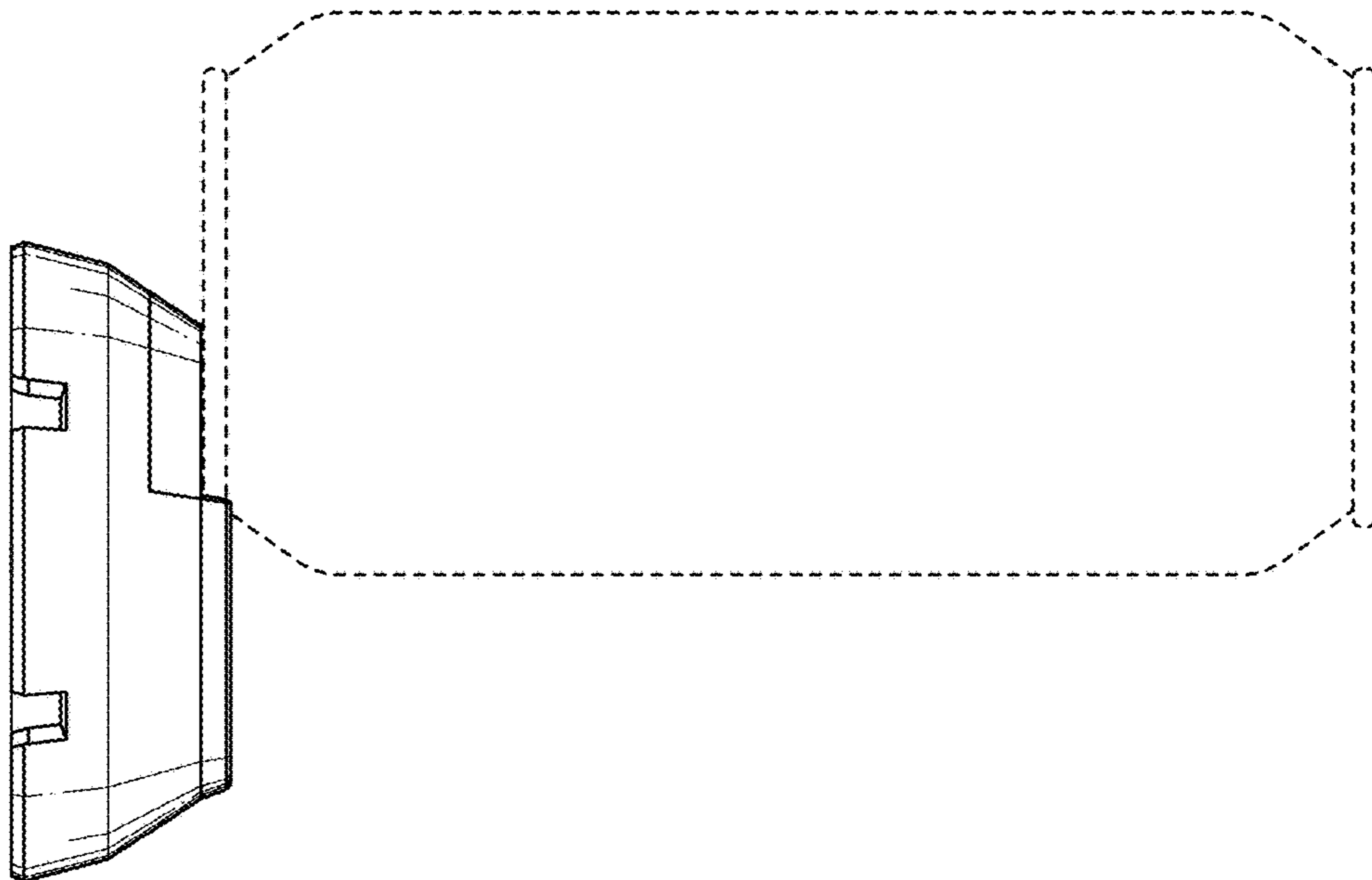


Fig. 7