



US00D780990S

(12) **United States Design Patent** (10) **Patent No.:** **US D780,990 S**  
**Liu** (45) **Date of Patent:** **\*\* Mar. 7, 2017**

(54) **ELECTRONIC CIGARETTE** D476,731 S \* 7/2003 Cise ..... D24/110  
D657,046 S \* 4/2012 Terry ..... D24/110  
(71) Applicant: **Qiuming Liu**, Guangdong (CN) D657,047 S \* 4/2012 Minskoff ..... D24/110

(Continued)

(72) Inventor: **Qiuming Liu**, Guangdong (CN)

FOREIGN PATENT DOCUMENTS

(73) Assignee: **HUIZHOU KIMREE TECHNOLOGY CO., LTD. SHENZHEN BRANCH**, Shenzhen (CN)

CN 203482901 \* 10/2013 ..... A24F 47/00  
CN 302851764 \* 1/2014

(Continued)

(\*\*) Term: **14 Years**

OTHER PUBLICATIONS

(21) Appl. No.: **29/500,373**

YouTube.com: Chicha électronique Aanox : Démonstration: Published on Feb. 20, 2014. Retrieved from the internet at <https://www.youtube.com/watch?v=-RXpTaMjhoM>, Dec. 9, 2015. 2 pages.\*

(22) Filed: **Aug. 25, 2014**

**Related U.S. Application Data**

(63) Continuation-in-part of application No. PCT/CN2013/081694, filed on Aug. 16, 2013, and a continuation-in-part of application No. PCT/CN2014/074932, filed on Apr. 8, 2014.

*Primary Examiner* — Rosemary K Tarcza  
*Assistant Examiner* — James Thorn, Sr.  
(74) *Attorney, Agent, or Firm* — Tim Tingkang Xia, Esq.; Locke Lord LLP

(51) **LOC (10) Cl.** ..... **27-01**

(52) **U.S. Cl.**  
USPC ..... **D27/101**

(58) **Field of Classification Search**  
USPC ..... D27/100, 101, 118, 162, 163, 165, 166, D27/167, 177, 183–194; 131/173, 178, 131/179, 191, 194, 211, 222, 242.6, 260, 131/270, 271, 273, 329, 330, 358, 360, 131/367  
CPC ..... A24F 1/26; A24F 1/30; A24F 3/00; A24F 15/00; A24F 23/00; A24F 23/02; A24F 47/00; A24F 47/002; A24F 47/008  
See application file for complete search history.

(57) **CLAIM**

The ornamental design for an electronic cigarette, as shown and described.

**DESCRIPTION**

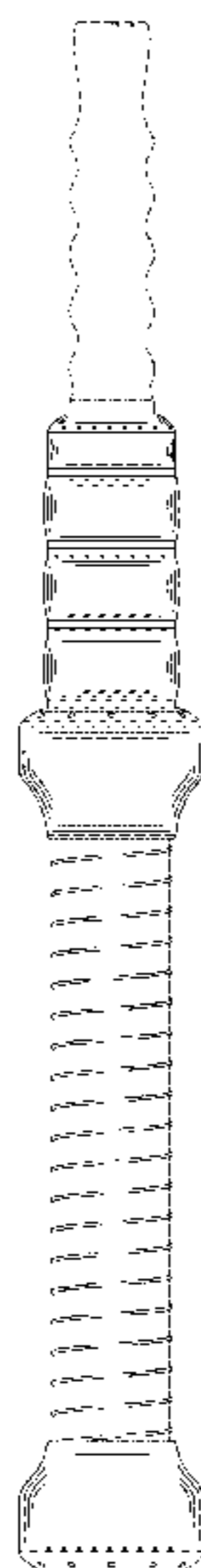
FIG. 1 is a front elevational view of an electronic cigarette; FIG. 2 is a rear elevational view thereof; FIG. 3 is a left side elevational view thereof; FIG. 4 is a right side elevational view thereof; FIG. 5 is a top plan view thereof; FIG. 6 is a bottom plan view thereof; and, FIG. 7 is a perspective view thereof. The broken lines in the drawings illustrate portions of the electronic cigarette which form no part of the claimed design.

(56) **References Cited**

U.S. PATENT DOCUMENTS

2,704,081 A \* 3/1955 Green ..... A24F 13/04  
131/184.1  
D360,027 S \* 7/1995 Psaros ..... D23/359

**1 Claim, 7 Drawing Sheets**



(56)

**References Cited**

U.S. PATENT DOCUMENTS

D687,999 S \* 8/2013 Liu ..... D27/101  
D688,416 S \* 8/2013 Liu ..... D27/101  
D728,853 S \* 5/2015 Han ..... D27/101  
2015/0101622 A1\* 4/2015 Liu ..... A24F 47/008  
131/328

FOREIGN PATENT DOCUMENTS

CN 103859609 \* 4/2014 ..... A24F 47/00  
CN 204104829 \* 7/2014 ..... A24F 47/00  
DE 202014102318 \* 5/2014 ..... A24F 1/30

\* cited by examiner

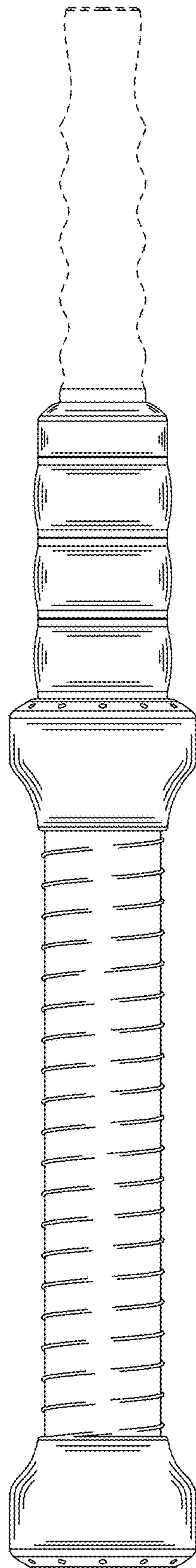


Fig. 1

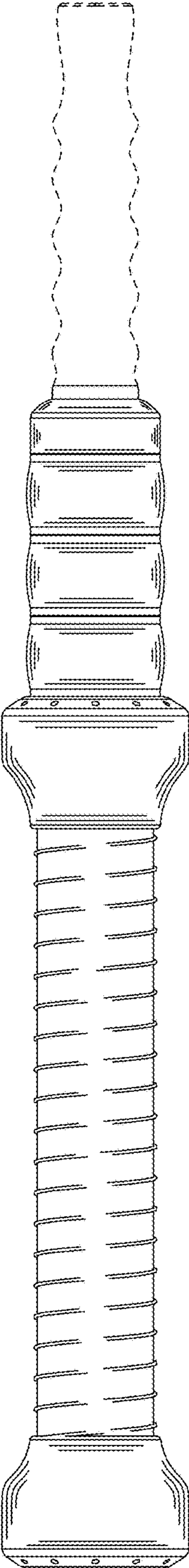


Fig. 2

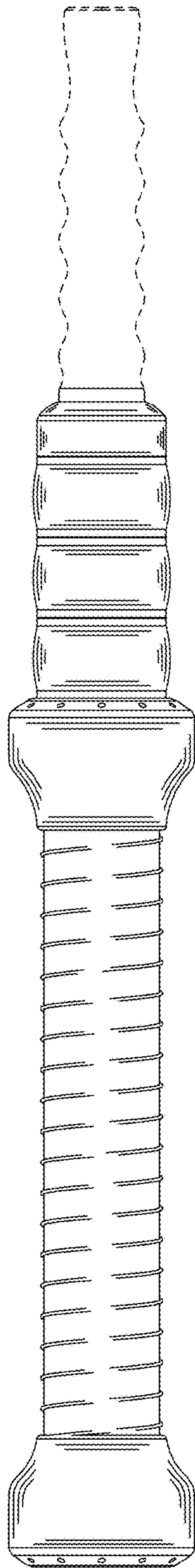


Fig. 3

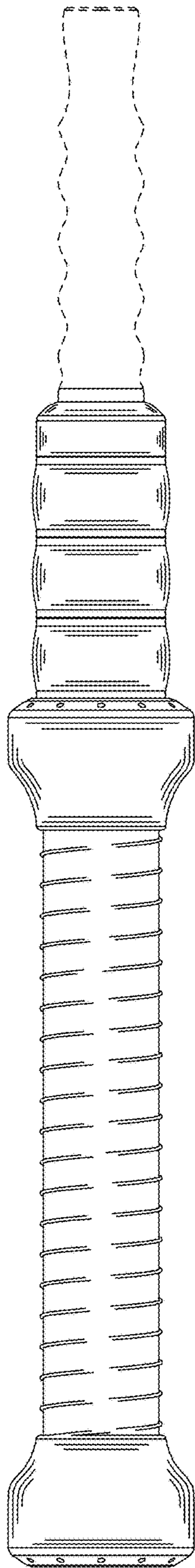


Fig. 4

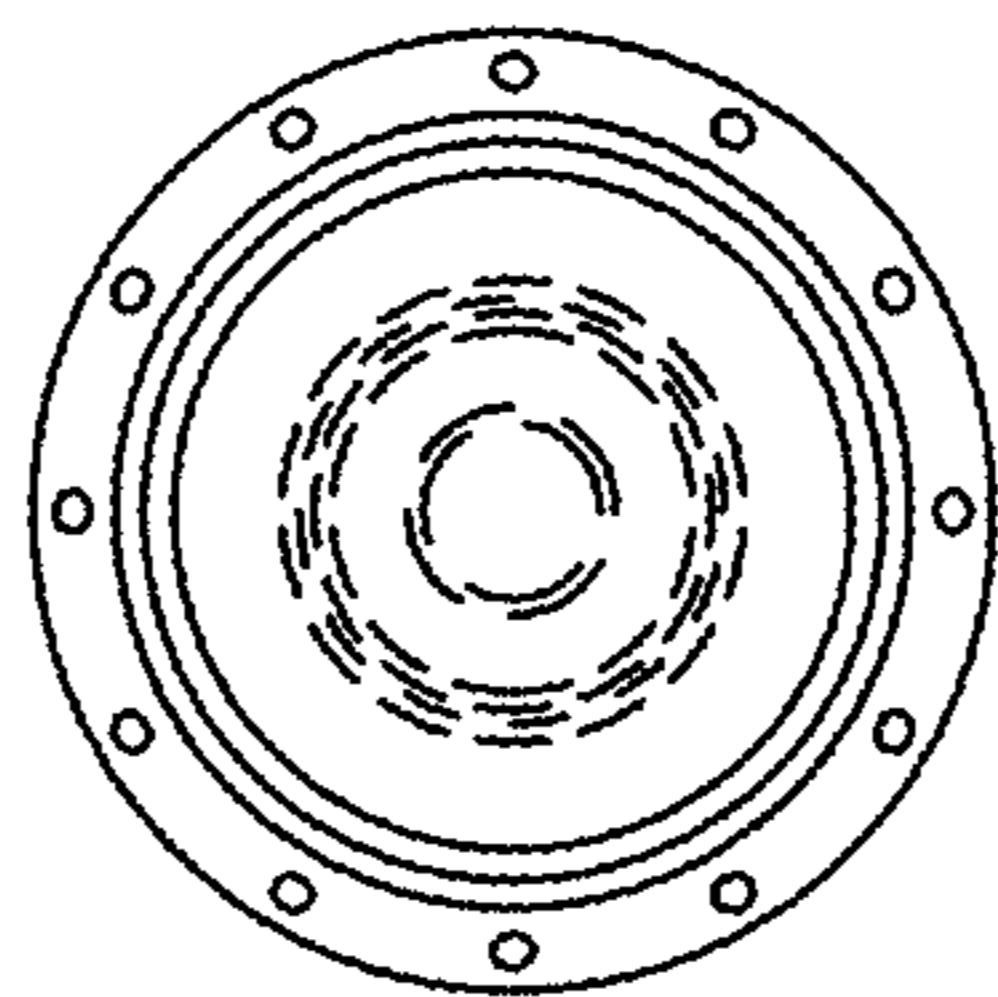


Fig.5

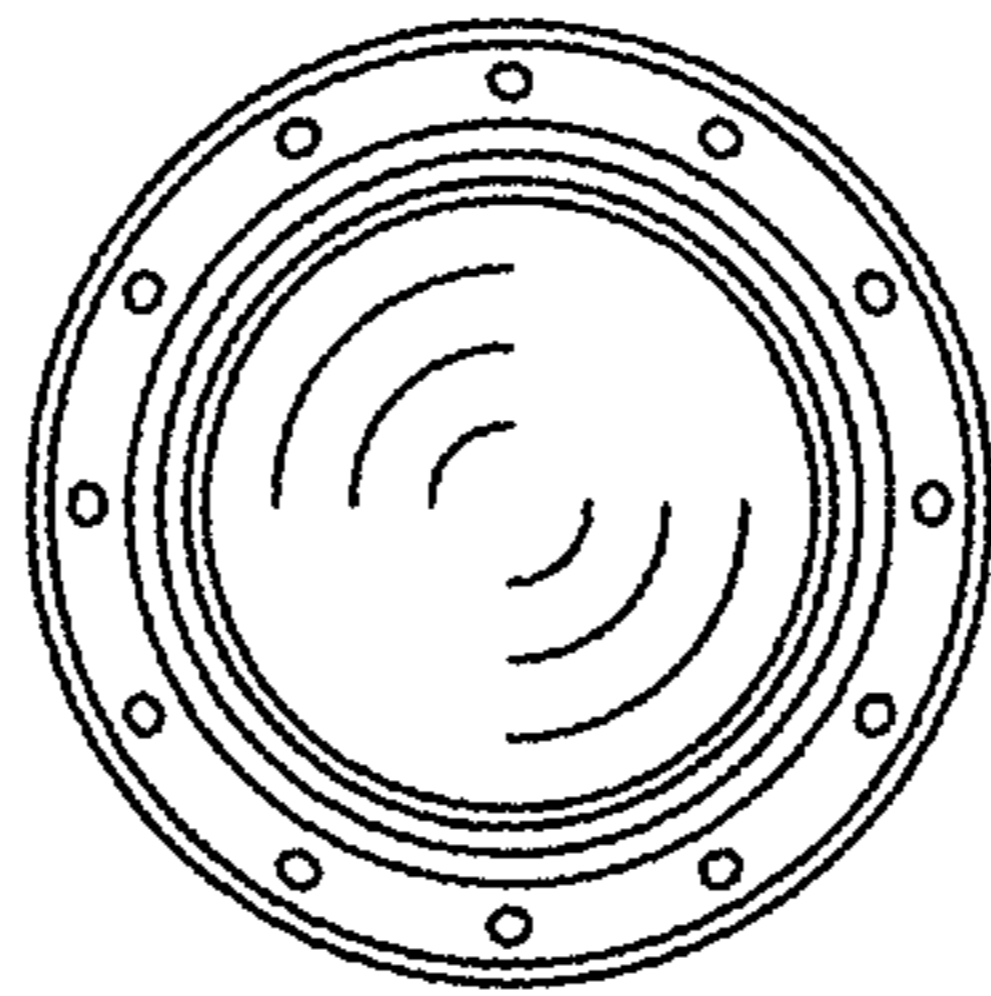


Fig. 6



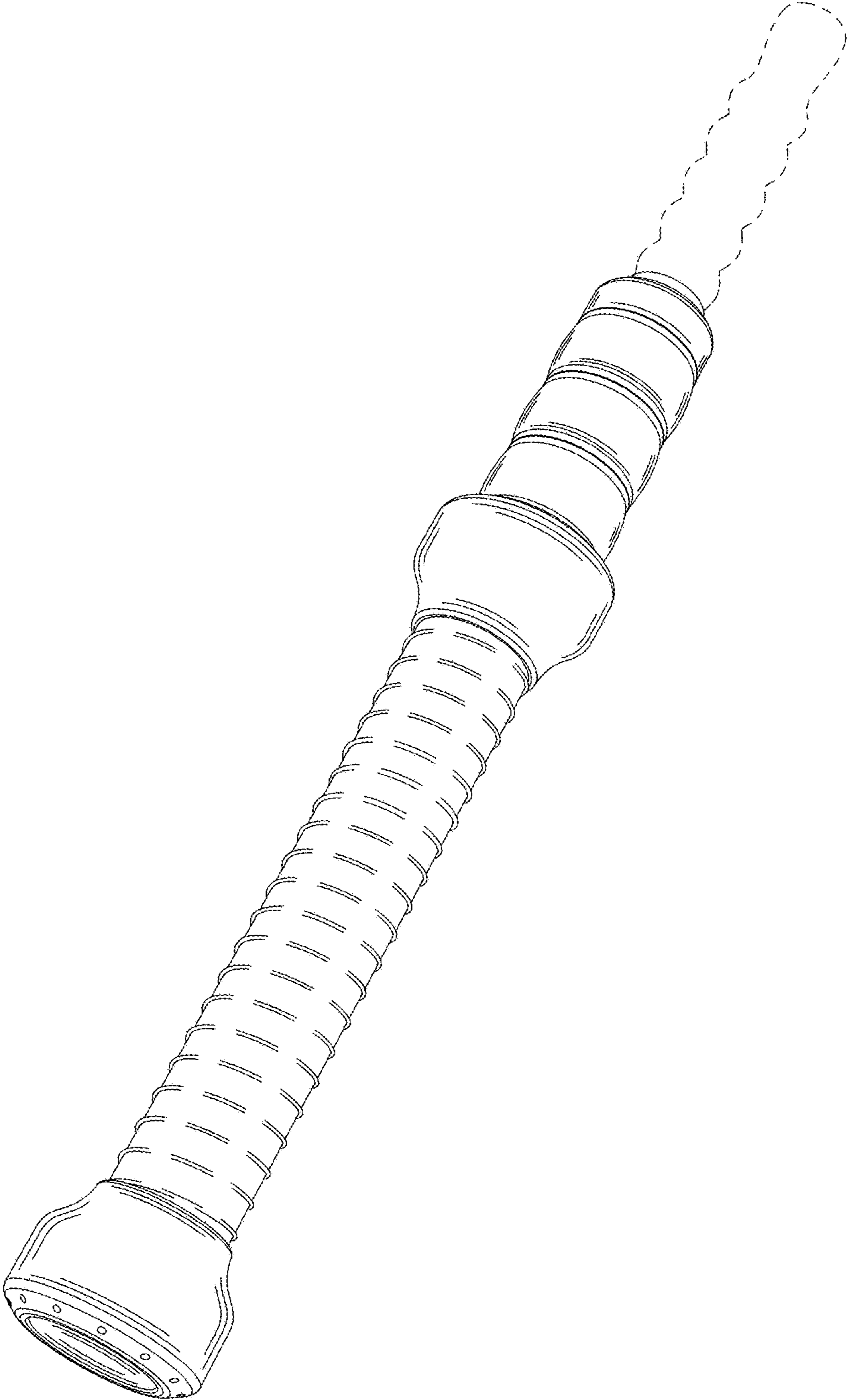


Fig.7