



US00D780985S

(12) **United States Design Patent**  
**Stanley**

(10) **Patent No.:** **US D780,985 S**

(45) **Date of Patent:** **\*\* Mar. 7, 2017**

(54) **LIGHT FIXTURE**

(71) Applicant: **IP Holdings, LLC**, Vancouver, WA (US)

(72) Inventor: **John Stanley**, Vancouver, WA (US)

(73) Assignee: **IP Holdings, LLC**, Vancouver, WA (US)

(\*\*) Term: **15 Years**

(21) Appl. No.: **29/550,597**

(22) Filed: **Jan. 5, 2016**

(51) **LOC (10) Cl.** ..... **26-05**

(52) **U.S. Cl.**  
USPC ..... **D26/118**

(58) **Field of Classification Search**  
USPC ... D26/9, 10, 12, 13, 15, 16, 24, 51, 61, 72, D26/76, 80, 81, 85, 86, 88, 90, 113, 118, D26/119, 120, 122, 128, 129, 138, 143, D26/144  
CPC .... B60Q 1/04; B60Q 1/26; F21S 8/026; F21S 8/04; F21V 29/004; F21V 21/02; F21V 21/04; F21V 29/2212; F21V 7/22; F21V 29/83; F21V 37/002; F21V 7/00; F21L 19/00; F23D 11/443; F21Y 2101/02; A61L 9/037

See application file for complete search history.

(56) **References Cited**

**U.S. PATENT DOCUMENTS**

D634,060 S \* 3/2011 Wardenburg ..... D26/118  
D634,469 S \* 3/2011 Hargreaves ..... D26/118  
D698,986 S \* 2/2014 Reynolds ..... D26/118

D736,450 S \* 8/2015 Reynolds ..... D26/118  
D747,029 S \* 1/2016 Reynolds ..... D26/118  
D748,849 S \* 2/2016 Stanley ..... D26/118  
D751,245 S \* 3/2016 Stanley ..... D26/118  
D757,346 S \* 5/2016 Stanley ..... D26/118  
D765,306 S \* 8/2016 Wardenburg ..... D26/118

\* cited by examiner

*Primary Examiner* — Brian N Vinson

(74) *Attorney, Agent, or Firm* — J. Douglas Wells

(57) **CLAIM**

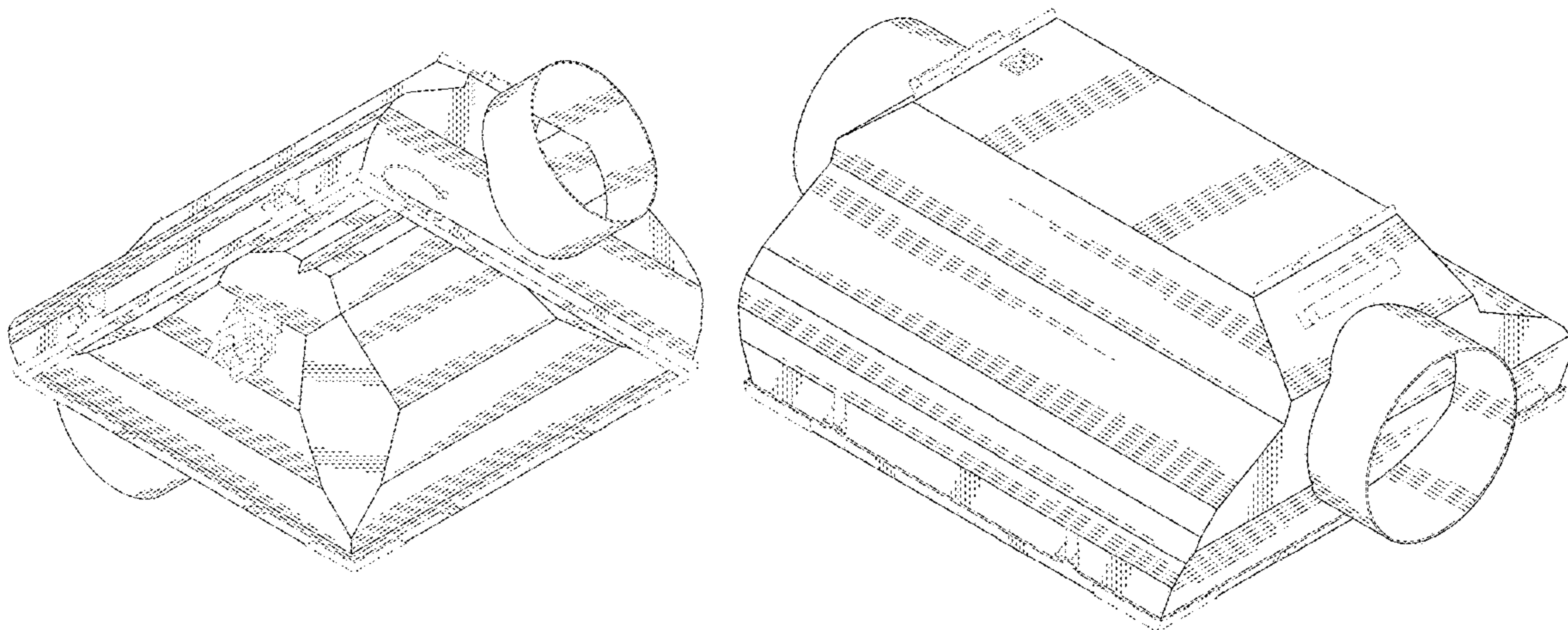
The ornamental design for a light fixture, as shown and described.

**DESCRIPTION**

FIG. 1 is a perspective view of a light fixture, as viewed from below, showing my new design;  
FIG. 2 is a perspective view of the light fixture shown in FIG. 1, as viewed from above;  
FIG. 3 is a left side view of the light fixture shown in FIG. 1;  
FIG. 4 is a right side view of the light fixture shown in FIG. 1;  
FIG. 5 is a front elevation view of the light fixture shown in FIG. 1;  
FIG. 6 is a rear elevation view of the light fixture shown in FIG. 1;  
FIG. 7 is a top plan view of the light fixture shown in FIG. 1; and,  
FIG. 8 is a bottom plan view of the light fixture shown in FIG. 1.

The broken-line disclosure shown in the views is understood to represent portions of the article in which the claimed design is embodied, but which form no part of the claimed design.

**1 Claim, 7 Drawing Sheets**



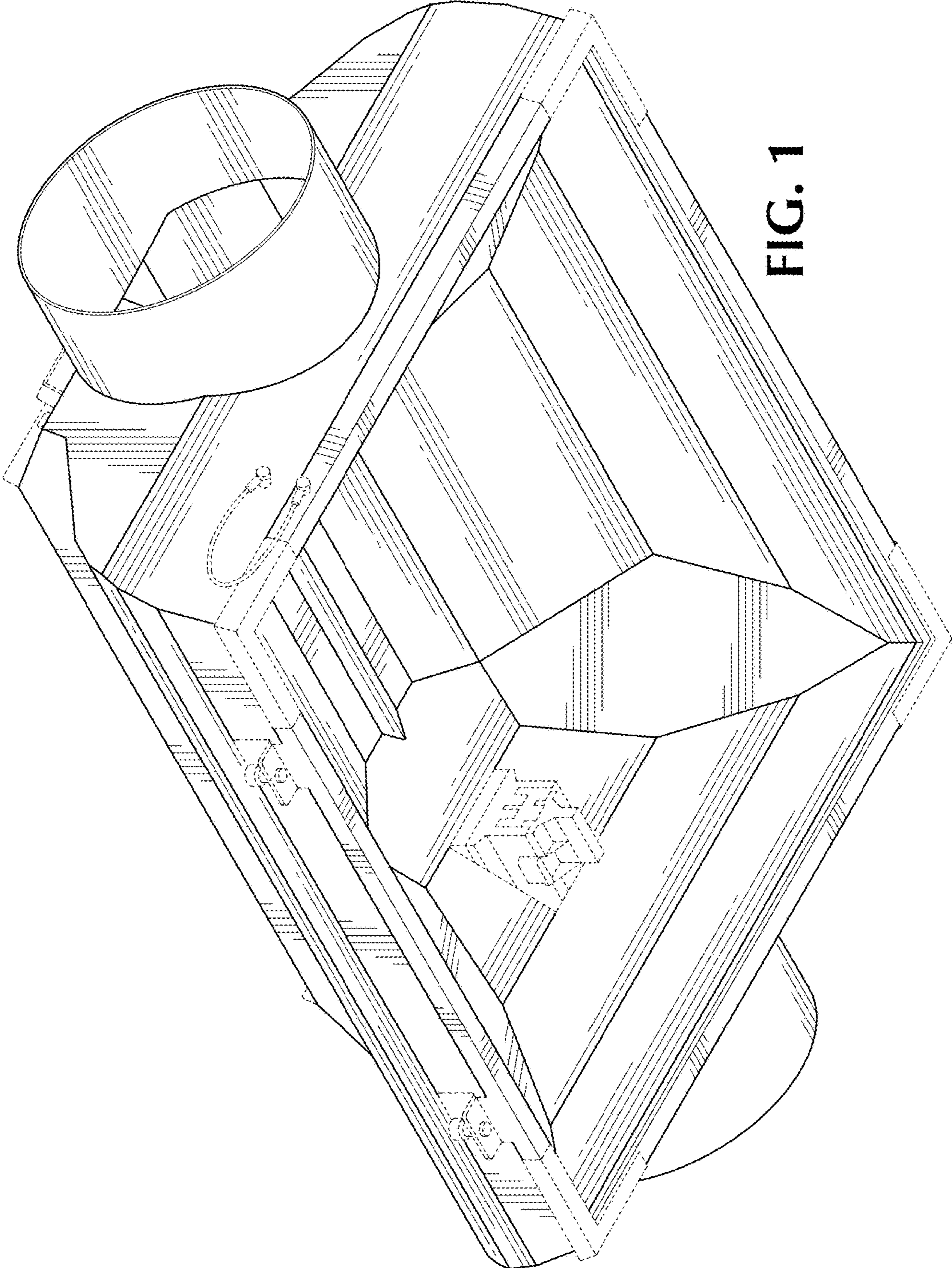


FIG. 1

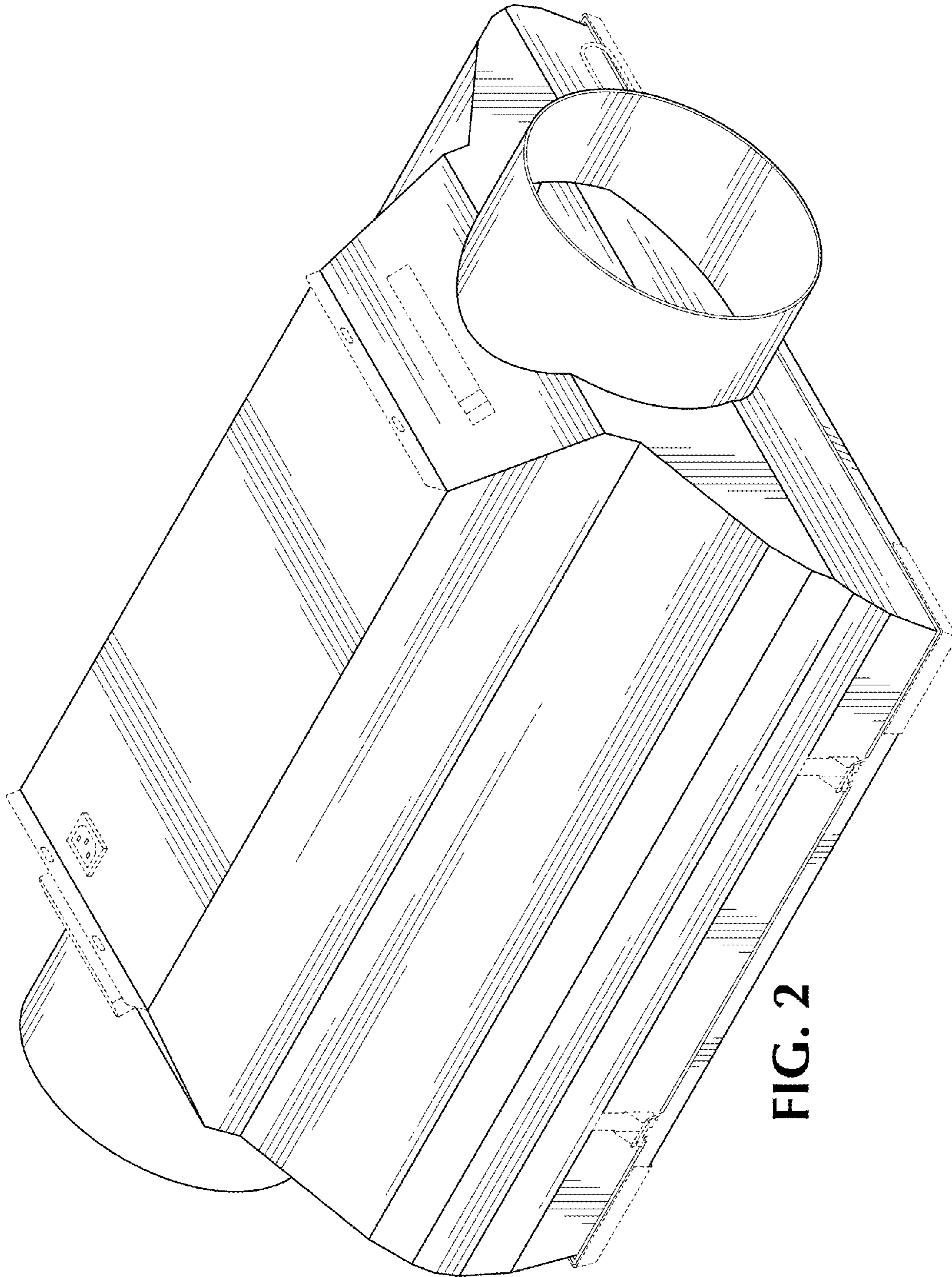


FIG. 2

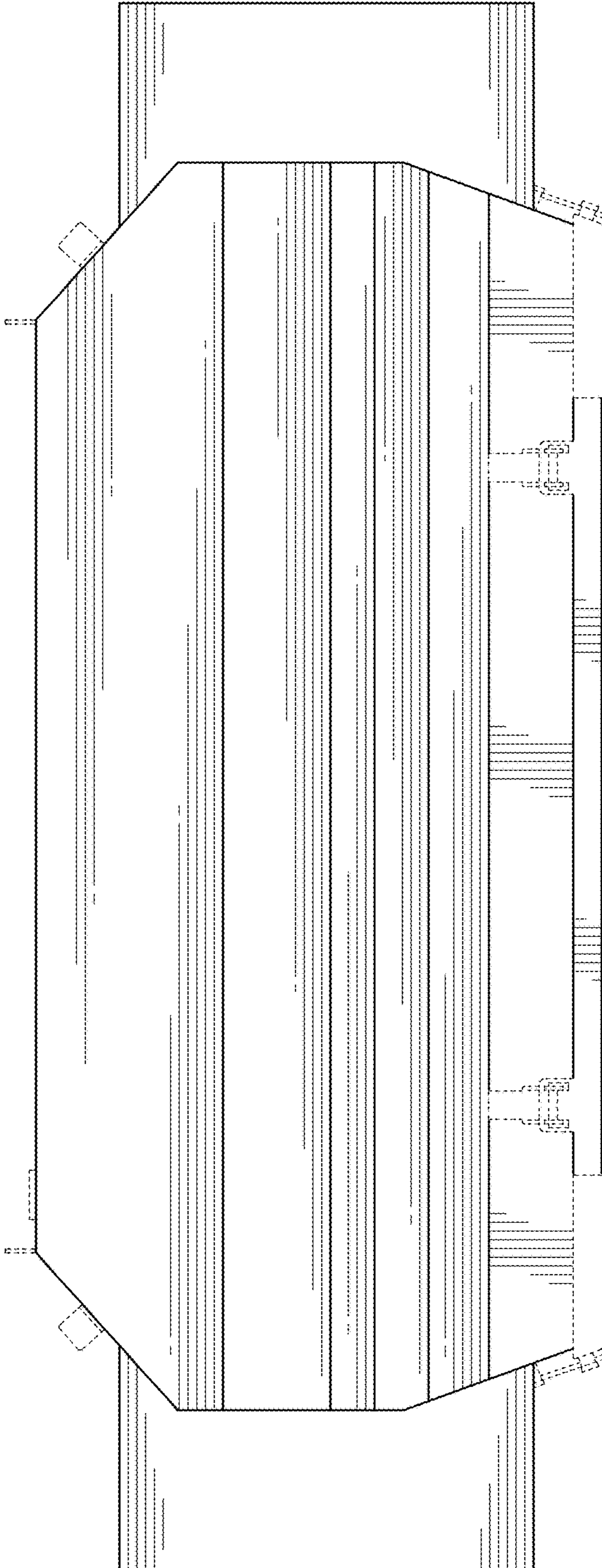


FIG. 3

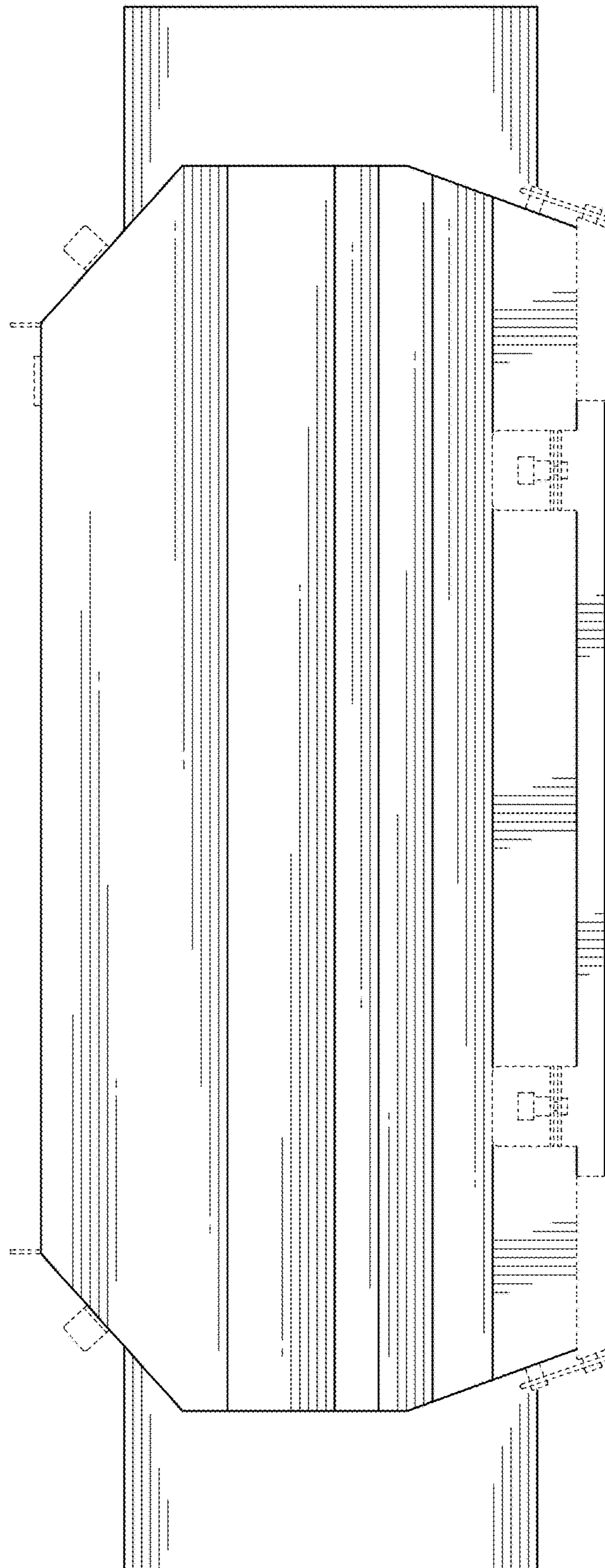


FIG. 4

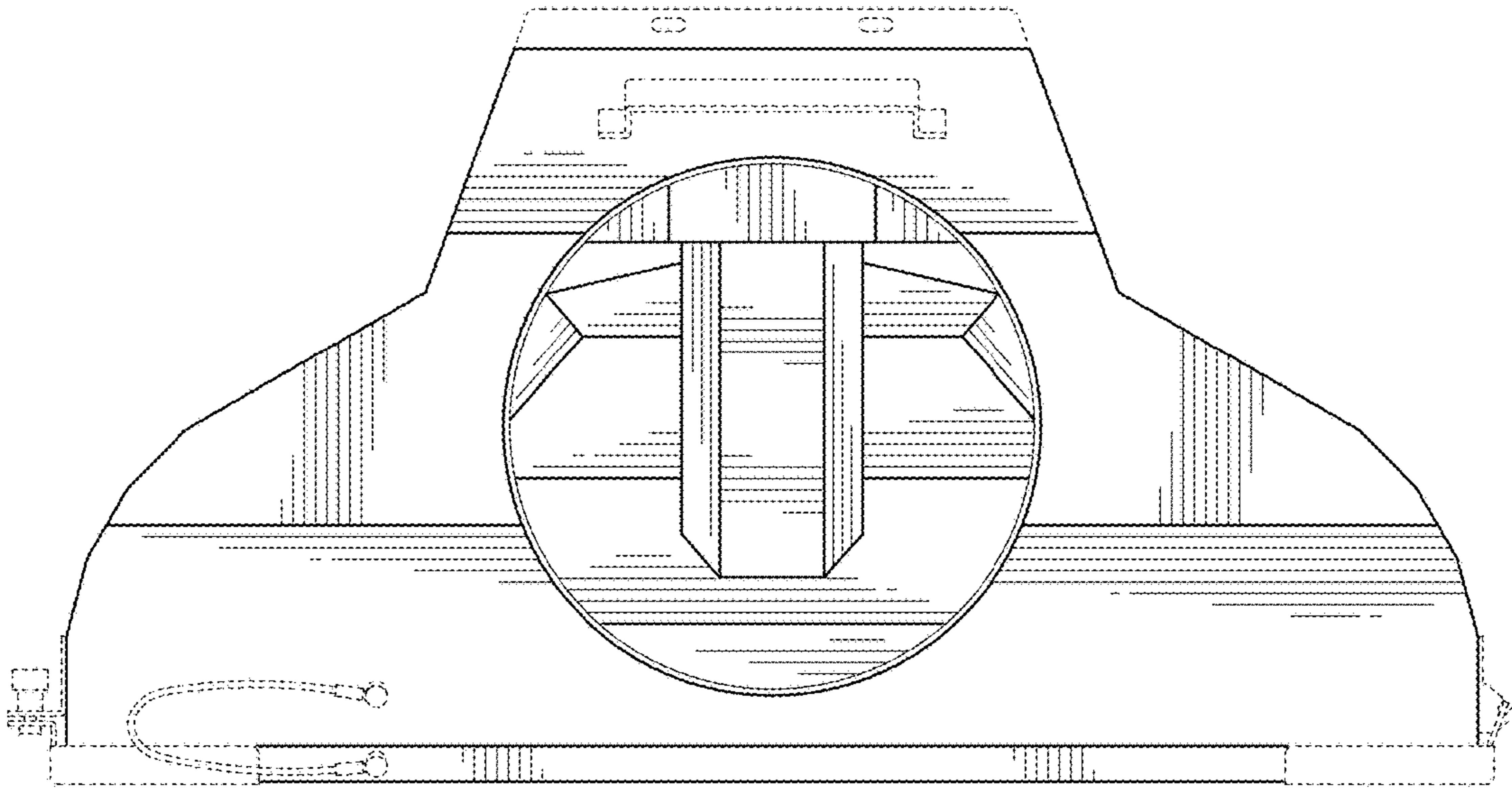


FIG. 5

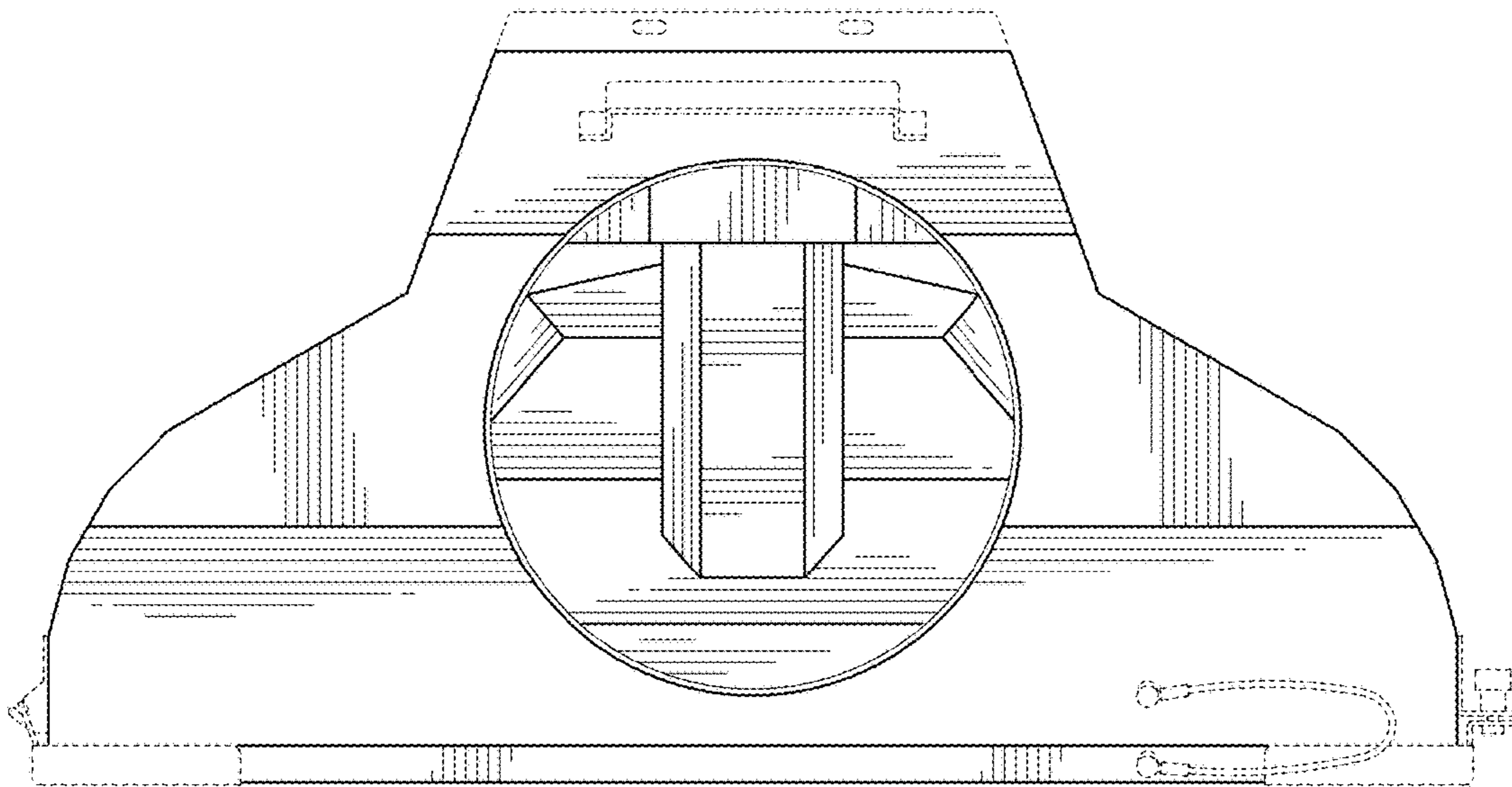


FIG. 6

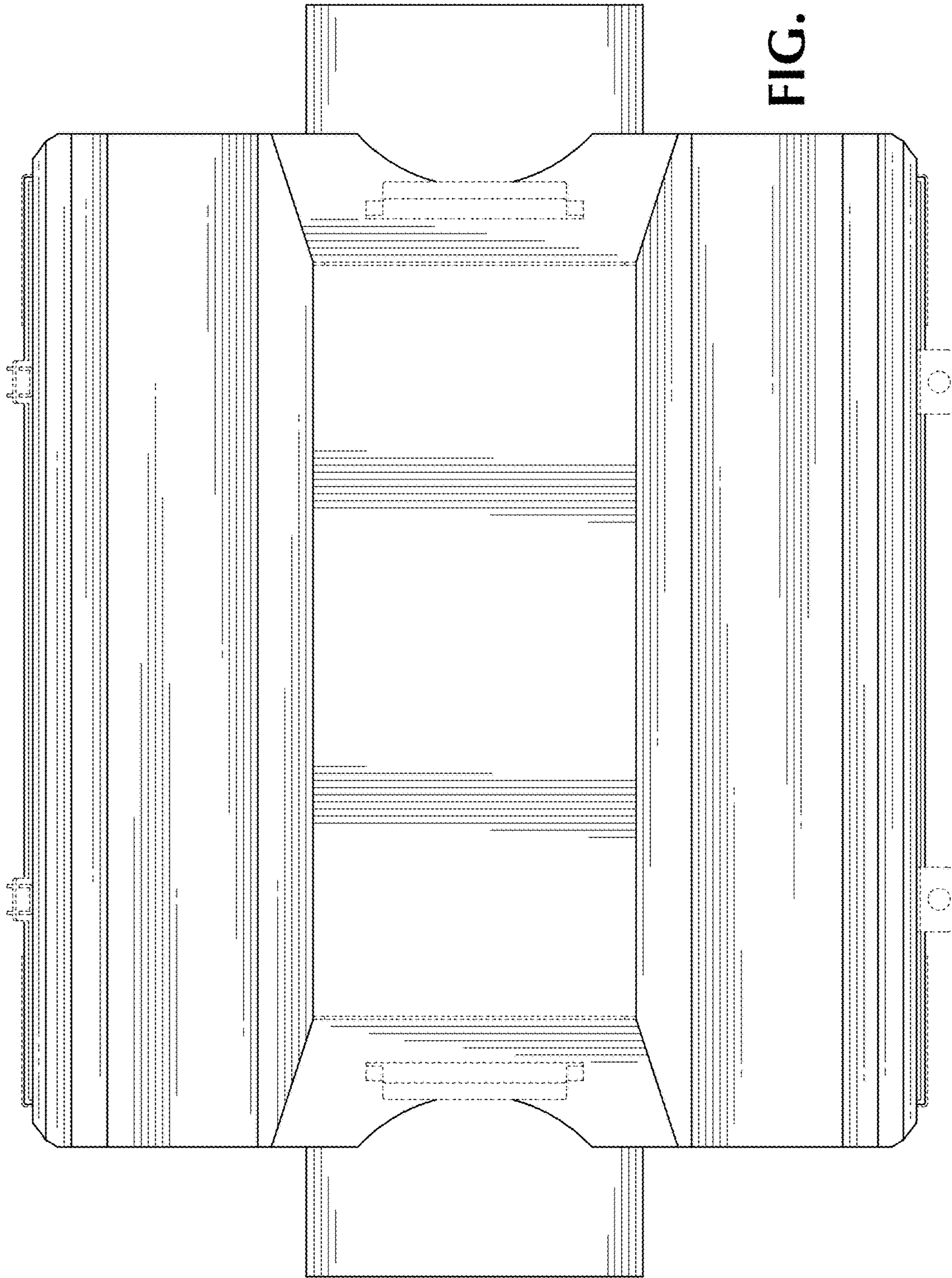


FIG. 7

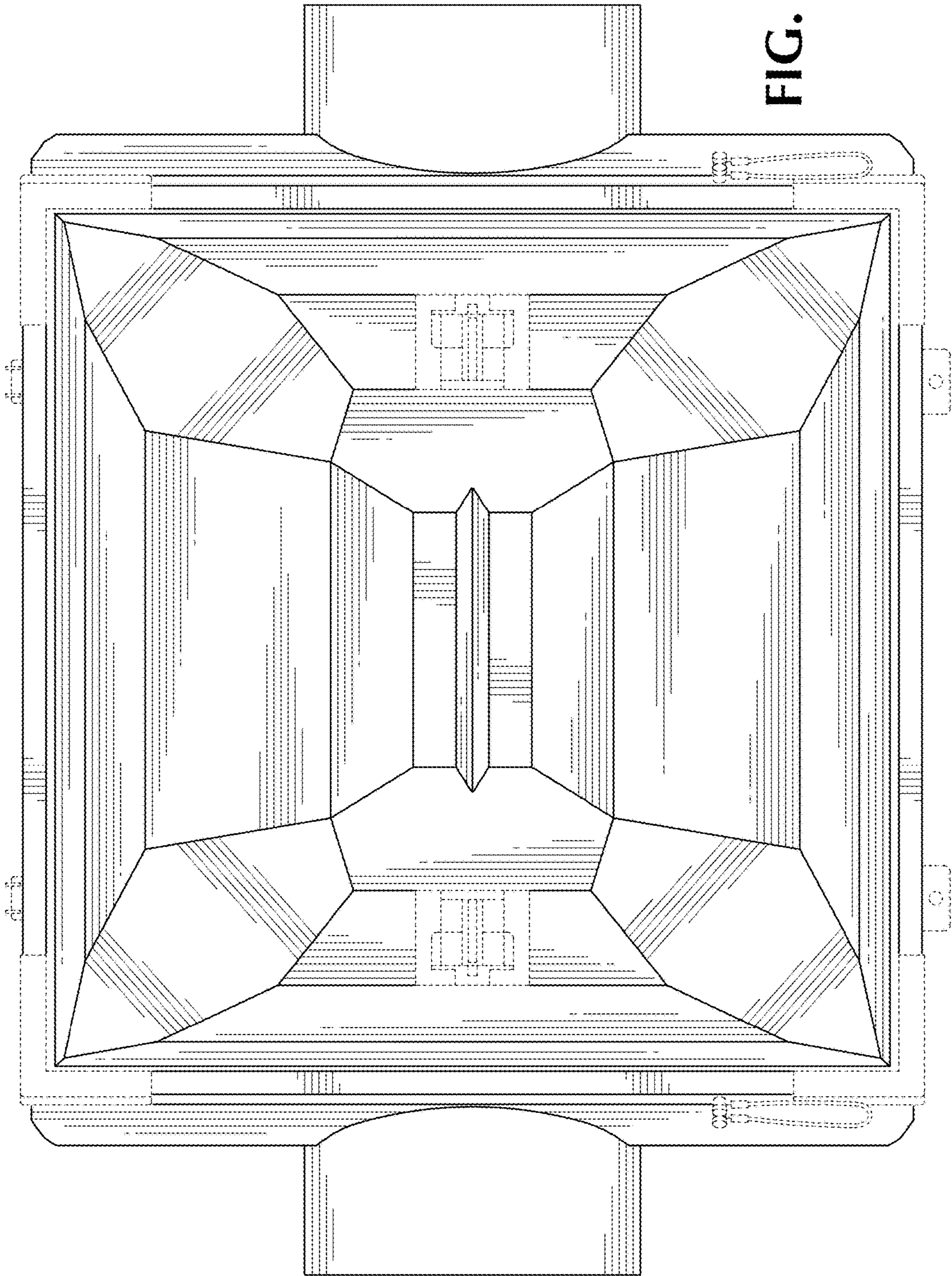


FIG. 8