



US00D780983S

(12) **United States Design Patent**
Baylar

(10) **Patent No.:** **US D780,983 S**
(45) **Date of Patent:** **** Mar. 7, 2017**

(54) **LAMP**

(71) Applicant: **Hudson Furniture, Inc.**, New York, NY (US)
(72) Inventor: **Barlas Baylar**, New York, NY (US)
(73) Assignee: **HUDSON FURNITURE, INC.**, New York, NY (US)

(**) Term: **15 Years**

(21) Appl. No.: **29/531,819**

(22) Filed: **Jun. 30, 2015**

(51) **LOC (10) Cl.** **26-03**

(52) **U.S. Cl.**
USPC **D26/106**

(58) **Field of Classification Search**
USPC D26/24, 93, 106, 138, 141, 142
CPC ... F21S 6/00; F21S 6/002; F21S 8/043; F21V 21/02; F21V 21/116; F21W 2131/30
See application file for complete search history.

(56) **References Cited**

U.S. PATENT DOCUMENTS

D177,744 S *	5/1956	Minea	D26/106
D383,864 S *	9/1997	Billings	D26/110
D461,021 S *	7/2002	Stokes	D26/110
D603,084 S *	10/2009	Lewis	D26/93
D609,390 S *	2/2010	Sabernig	D26/93

OTHER PUBLICATIONS

“Pair of Polished Nickel Lamps Designed by Maurizio Tempestini for Sale at 1stdibs” www.1stdibs.com/furniture/id-f_4172693/ stating that the date of manufacture was circa 1970s.*

Pair of Polished Nickel Table Lamps, Maurizio Tempestini, www.1stdibs.com/furniture (accessed Jun. 30, 2015).

* cited by examiner

Primary Examiner — Brian N Vinson
(74) *Attorney, Agent, or Firm* — Hodgson Russ LLP

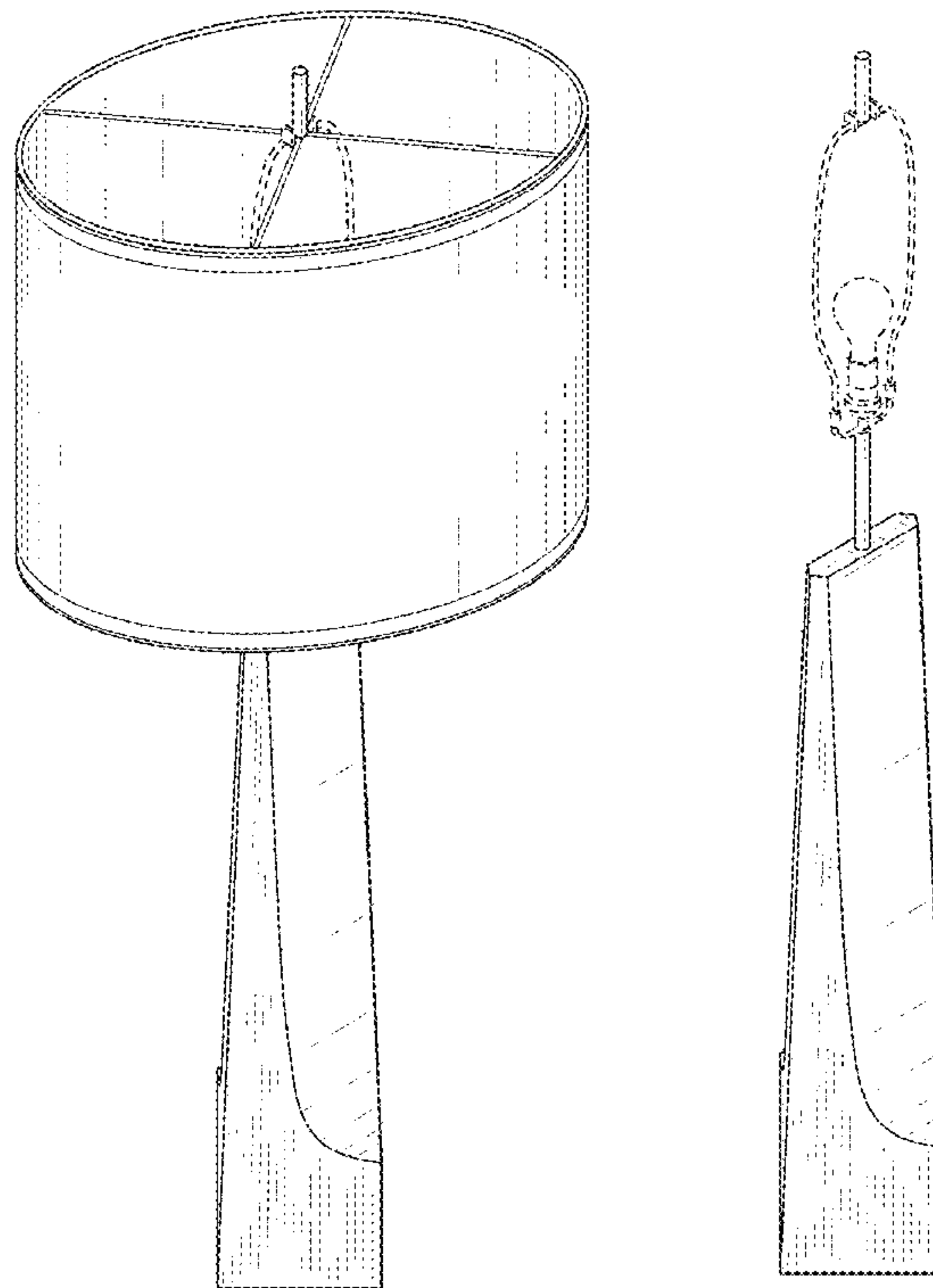
(57) **CLAIM**

The ornamental design for a lamp, as shown and described.

DESCRIPTION

FIG. 1 is an isometric view of a lamp in accordance with the new design;
FIG. 2 is a front elevational view of the lamp in FIG. 1, whereby the opposing side is a mirror image thereof;
FIG. 3 is a right side elevational view of the lamp in FIG. 1, whereby the opposing side is a mirror image thereof;
FIG. 4 is a top plan view of the lamp in FIG. 1;
FIG. 5 is a bottom view of the lamp in FIG. 1;
FIG. 6 is an isometric view of the lamp as shown in FIG. 1 without with the shade removed for ease of illustration;
FIG. 7 is a front elevational view of the lamp in FIG. 6;
FIG. 8 is a rear elevational view of the lamp in FIG. 6;
FIG. 9 is a right side elevational view of the lamp in FIG. 6;
FIG. 10 is a left side elevational view of the lamp in FIG. 6;
FIG. 11 is a top plan view of the lamp in FIG. 6; and,
FIG. 12 is a bottom view of the lamp in FIG. 6.
Broken lines in the drawing form no part of the design to be patented.

1 Claim, 10 Drawing Sheets



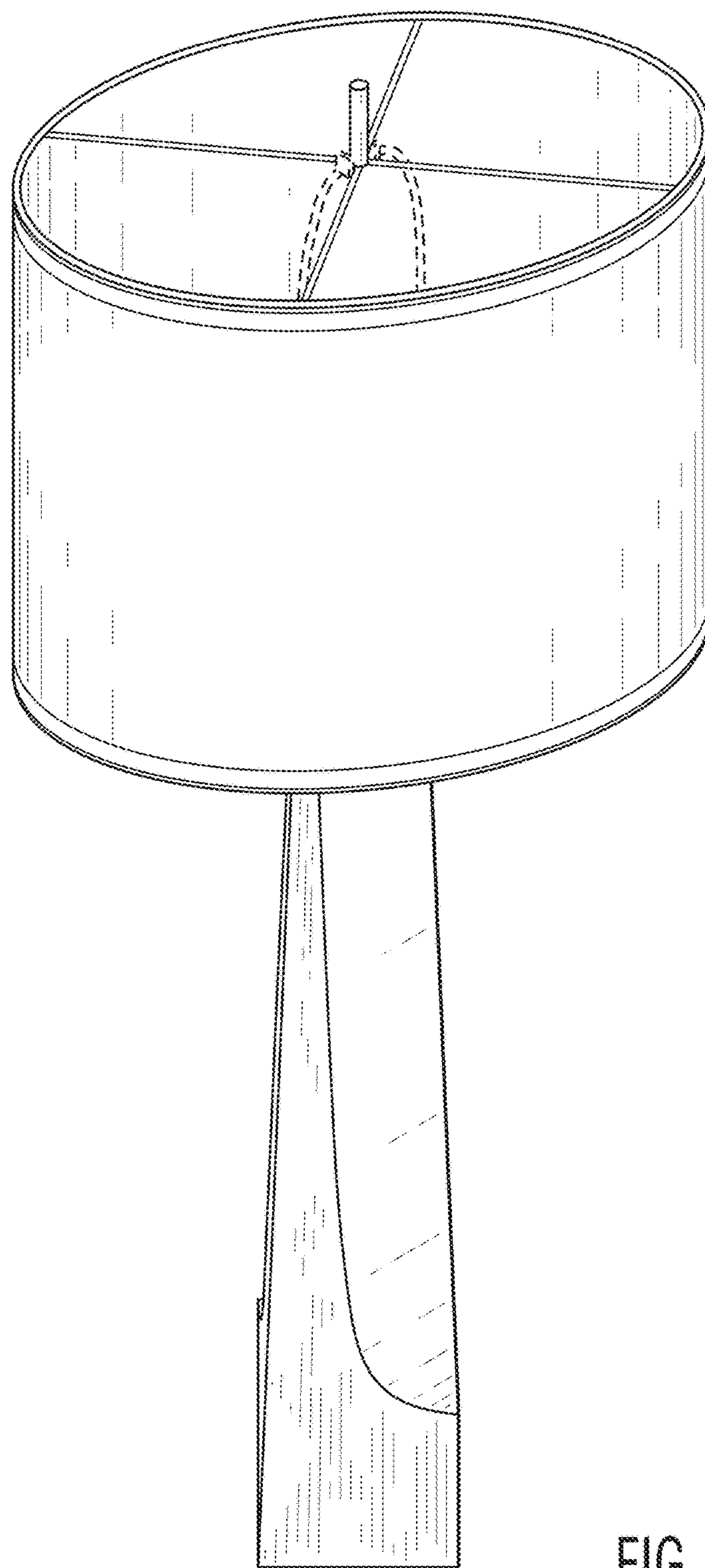


FIG. 1

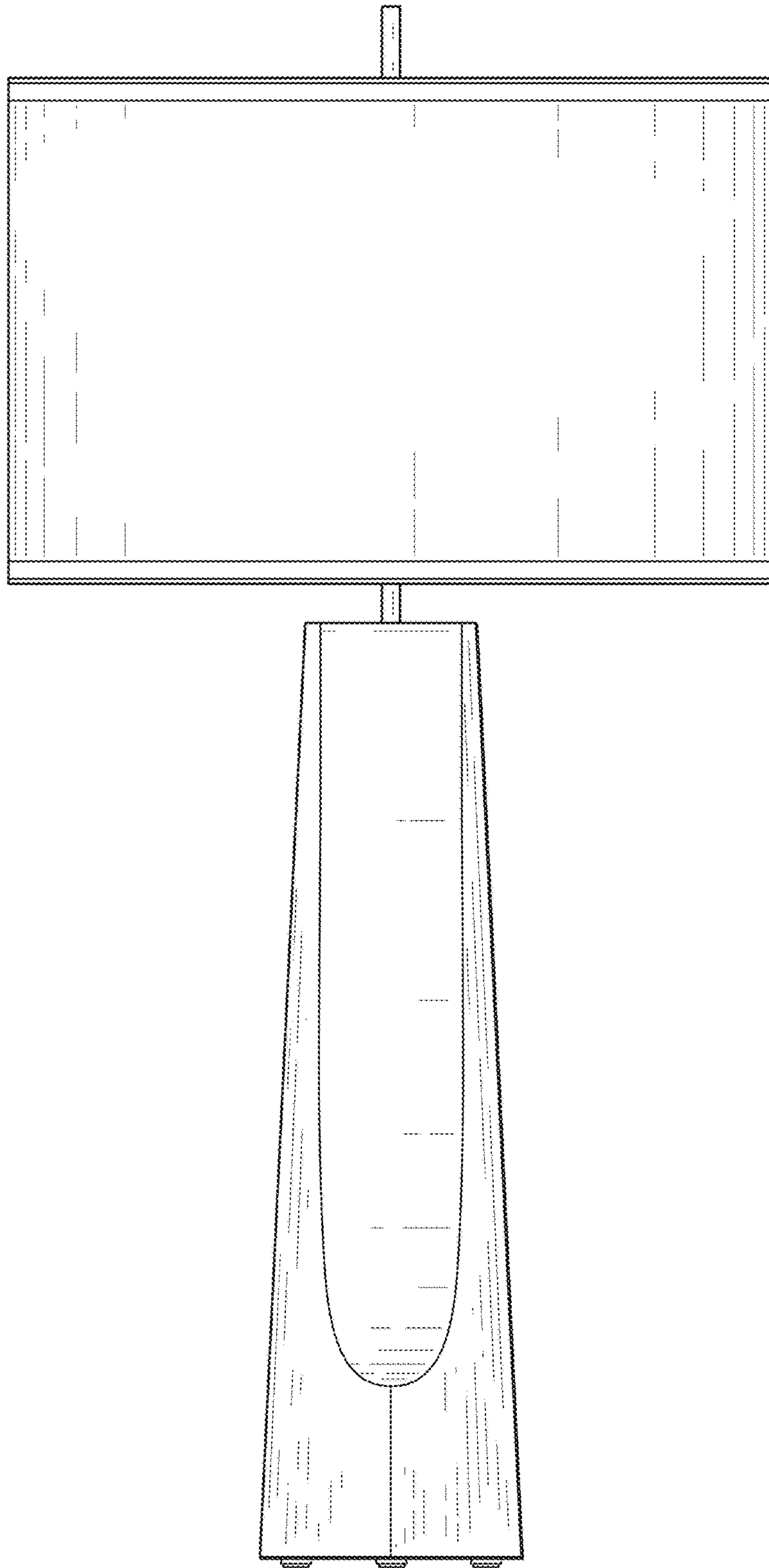


FIG. 2

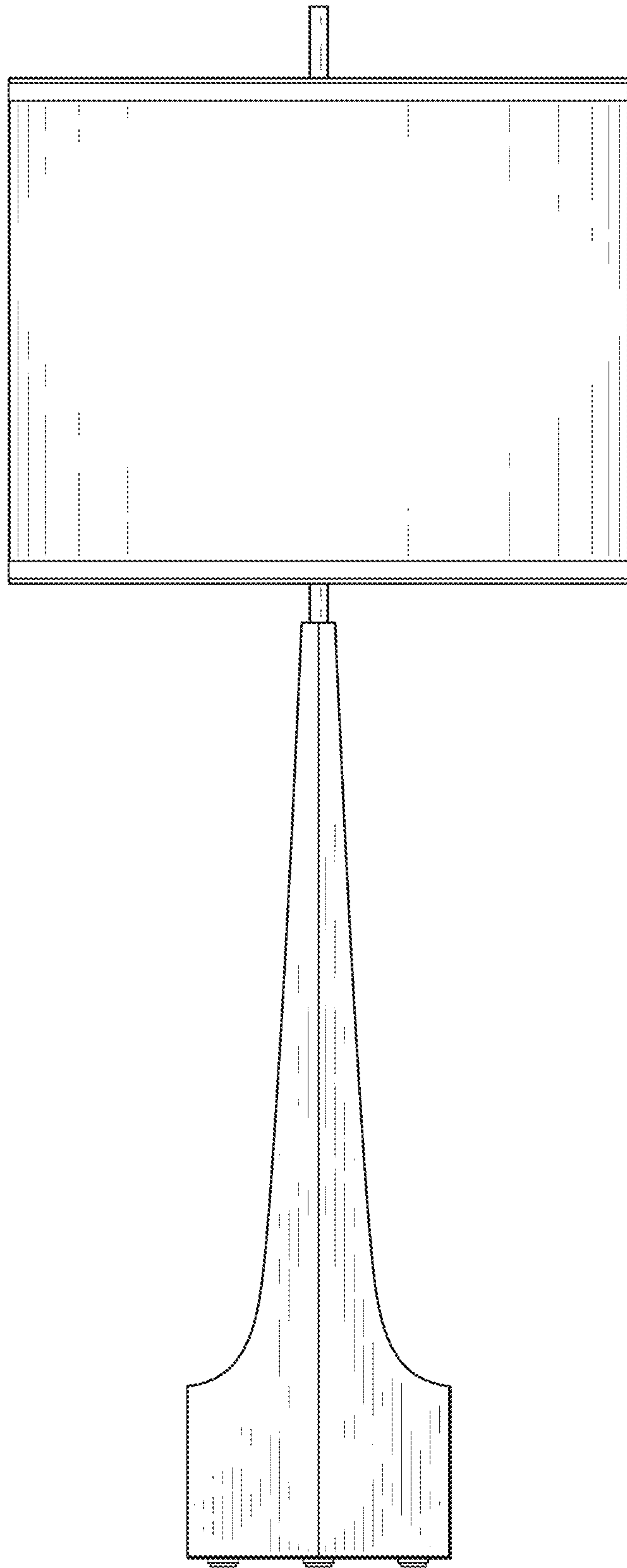


FIG. 3

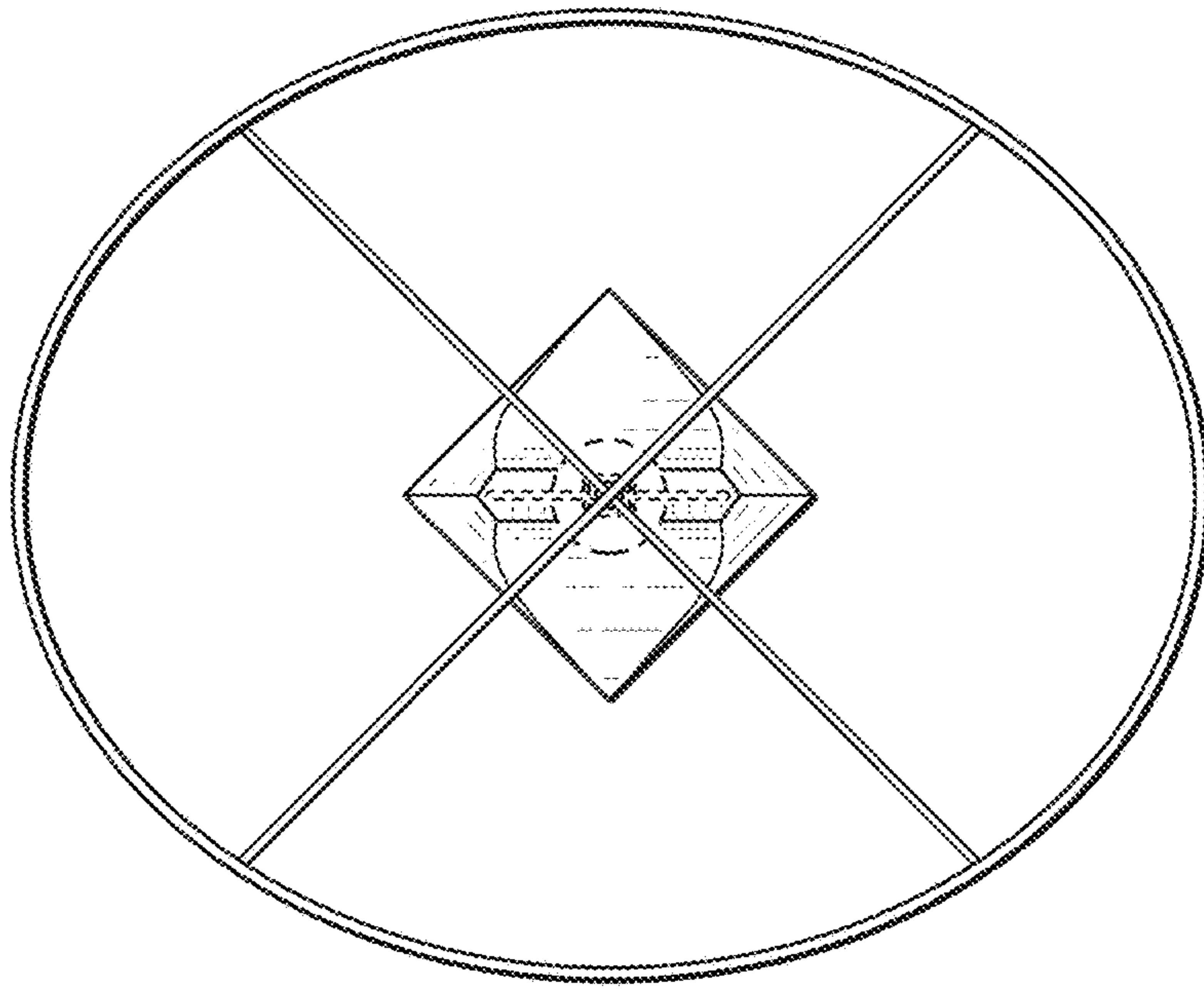


FIG. 4

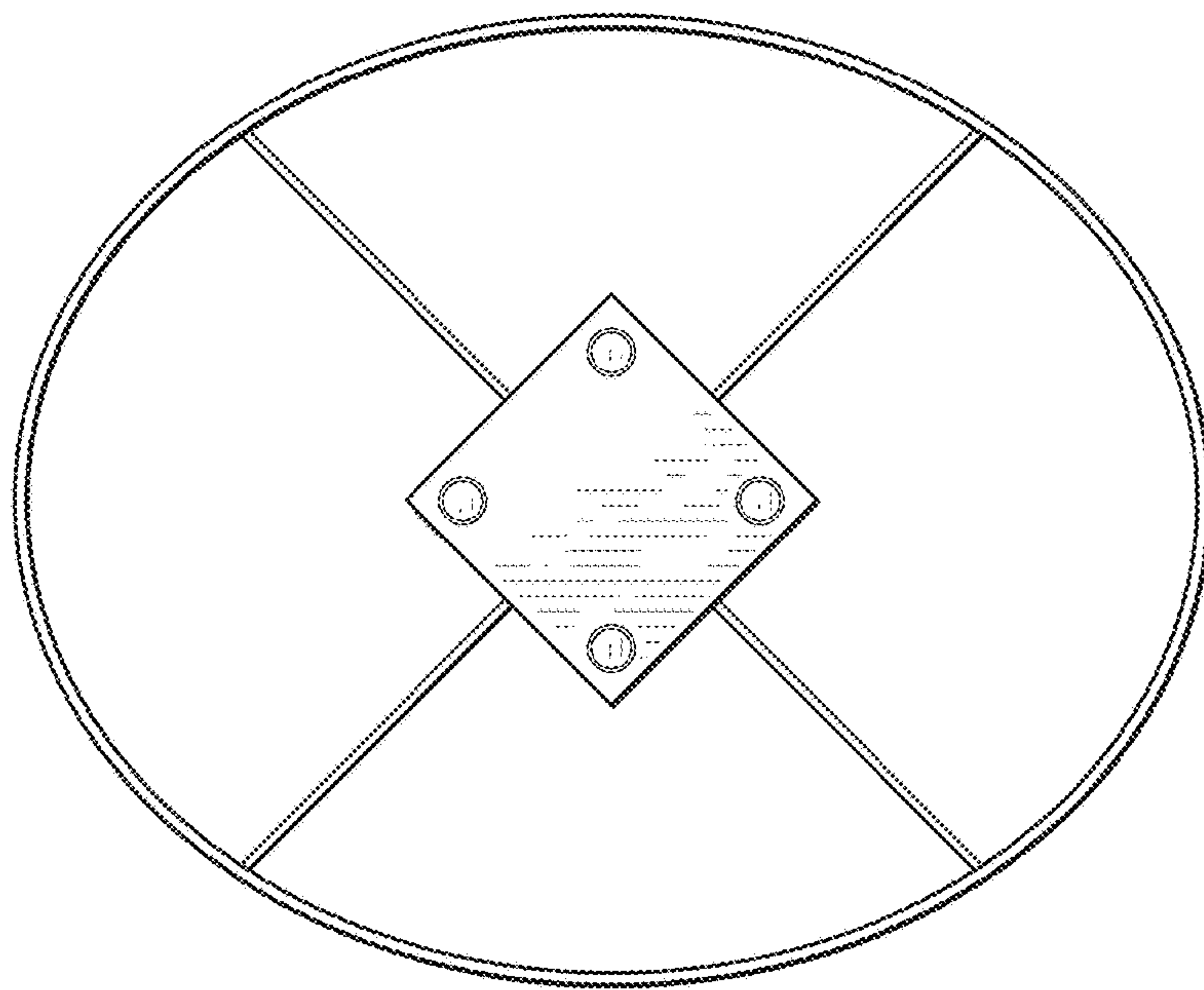


FIG. 5

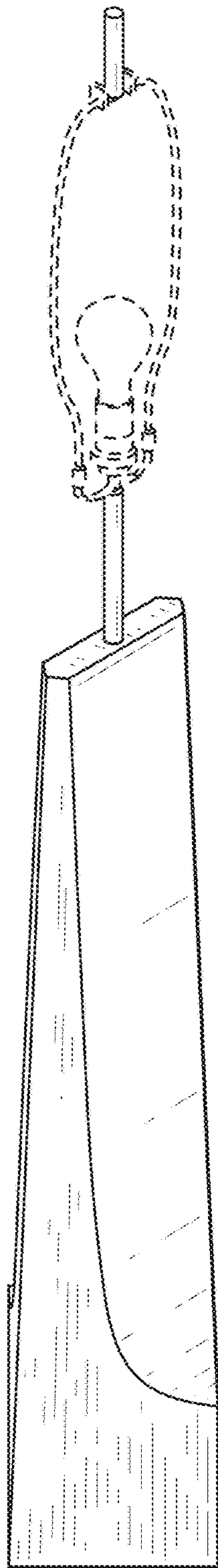


FIG. 6

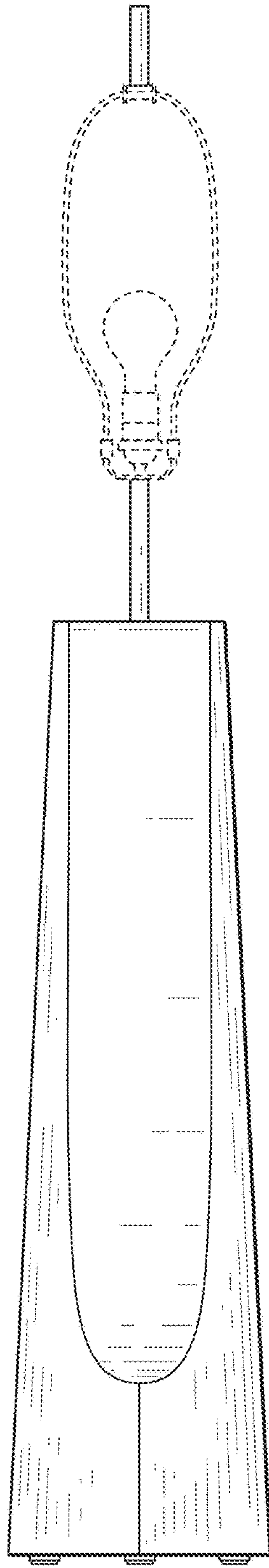


FIG. 7

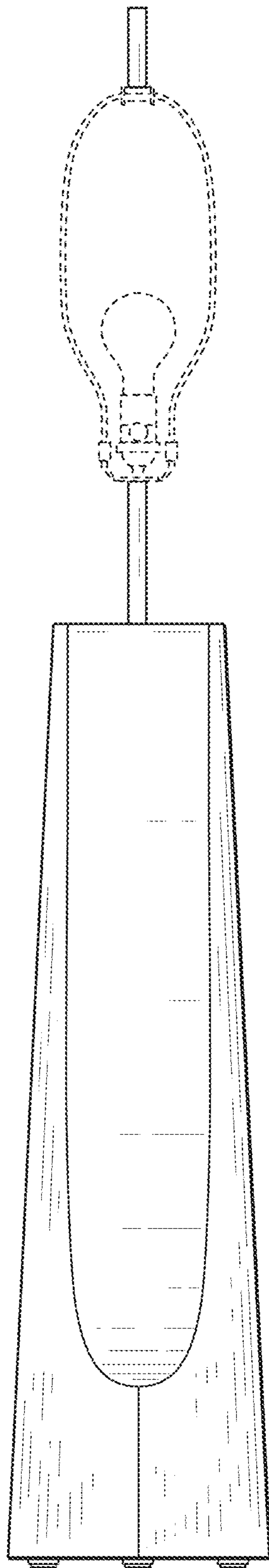


FIG. 8

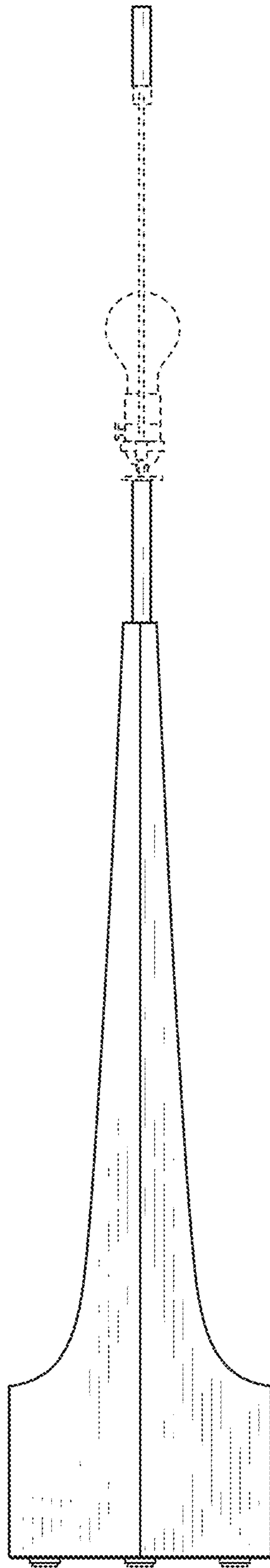


FIG. 9

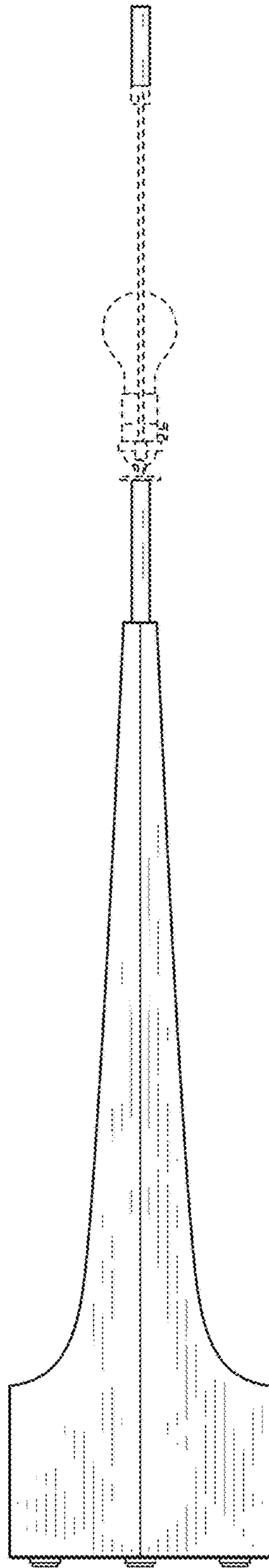


FIG. 10

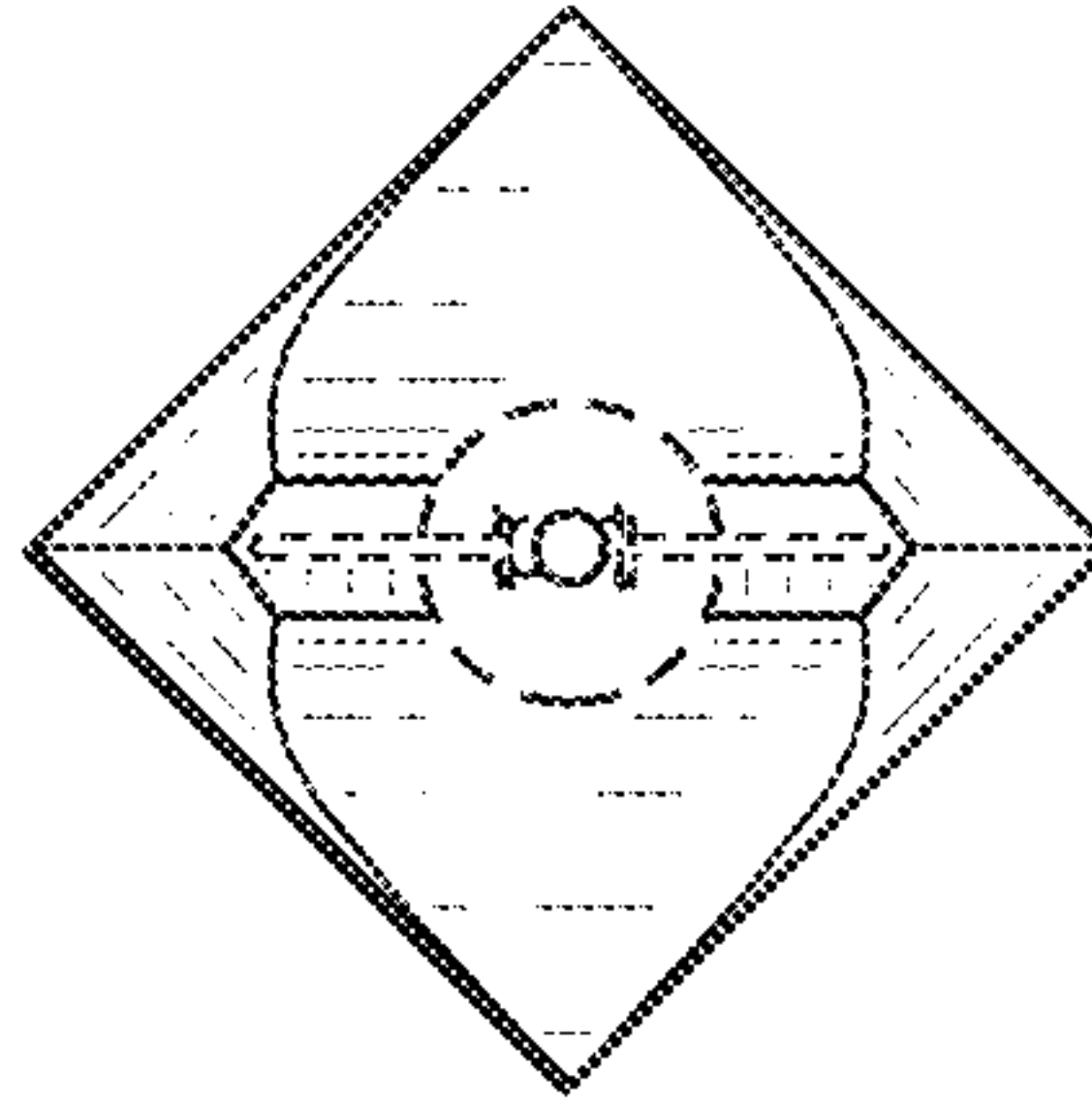


FIG. 11

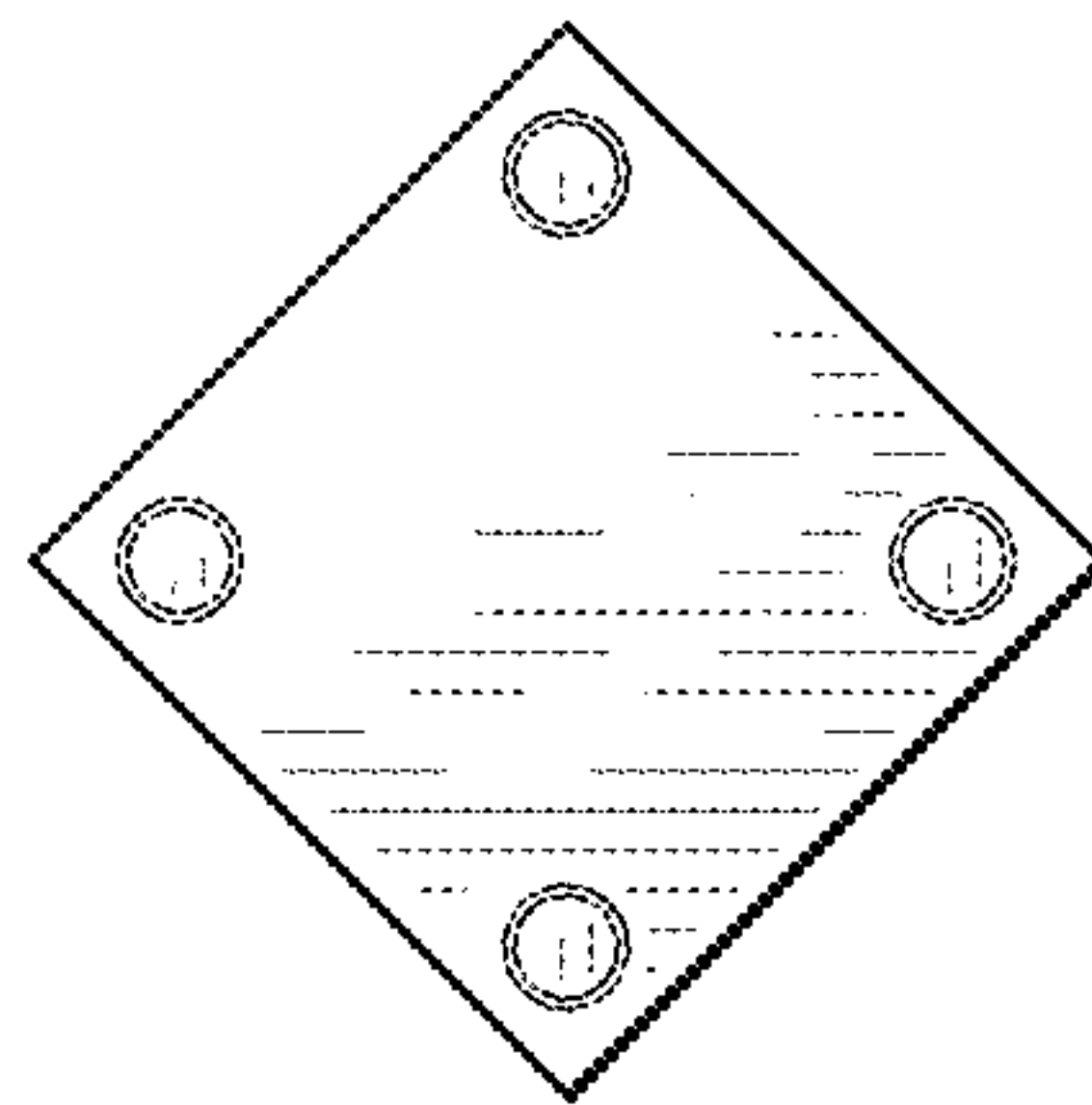


FIG. 12