



US00D780982S

(12) **United States Design Patent** (10) **Patent No.:** **US D780,982 S**  
**Starck** (45) **Date of Patent:** **\*\* Mar. 7, 2017**

(54) **FLOOR LAMP**  
(71) Applicant: **FLOS S.P.A.**, Bovezzo (Brescia) (IT)  
(72) Inventor: **Philippe Starck**, Brescia (IT)  
(73) Assignee: **FLOS S.p.A.**, Bovezzo (Brescia) (IT)  
(\*\*) Term: **15 Years**  
(21) Appl. No.: **35/500,418**  
(22) Filed: **Oct. 5, 2015**  
(80) **Hague Agreement Data**  
Int. Filing Date: **Oct. 5, 2015**  
Int. Reg. No.: **DM/088635**  
Int. Reg. Date: **Oct. 5, 2015**  
Int. Reg. Pub. Date: **Dec. 25, 2015**

D281,149 S \* 10/1985 Krogh ..... D11/41  
5,115,385 A 5/1992 Jeckie  
D329,554 S \* 9/1992 Diffrient ..... D6/692.3  
D334,629 S 4/1993 Meck  
D337,848 S 7/1993 Meck  
D345,813 S 4/1994 Huang  
D348,952 S 7/1994 Drucker  
D356,052 S \* 3/1995 Andrau ..... D11/40  
D359,142 S \* 6/1995 Thun ..... D26/104  
D364,287 S \* 11/1995 Jurasinski ..... D6/688.1  
D368,547 S 4/1996 Chen  
D385,641 S \* 10/1997 Chan ..... D26/65  
D387,921 S \* 12/1997 Shields ..... D6/692.3  
D390,990 S \* 2/1998 Yang ..... D26/110  
D391,004 S \* 2/1998 Porter ..... D26/107  
D401,004 S \* 11/1998 Eusterbrock ..... D26/107

(Continued)

(30) **Foreign Application Priority Data**  
Apr. 7, 2015 (IT) ..... BS2015O000015  
(51) **LOC (10) Cl.** ..... **26-03**  
(52) **U.S. Cl.**  
USPC ..... **D26/93**  
(58) **Field of Classification Search**  
USPC .. D26/93, 154, 107, 118, 106, 104, 128, 23,  
D26/120, 142, 204, 110, 65, 61; D11/55,  
D11/40, 41, 75; D6/692.3, 688.1, 405,  
D6/692, 677.3, 672, 349; 601/46;  
D20/22; D14/204; D10/104.1; D17/13;  
D13/108  
CPC ..... A44C 15/0035  
See application file for complete search history.

(56) **References Cited**  
U.S. PATENT DOCUMENTS  
D90,938 S 10/1933 Beck  
D97,997 S 12/1935 Glatthar et al.  
D250,457 S \* 12/1978 Fishman ..... D11/55

**OTHER PUBLICATIONS**

U.S. Appl. No. 35/500,425, filed Oct. 5, 2015, Philippe Starck.  
(Continued)

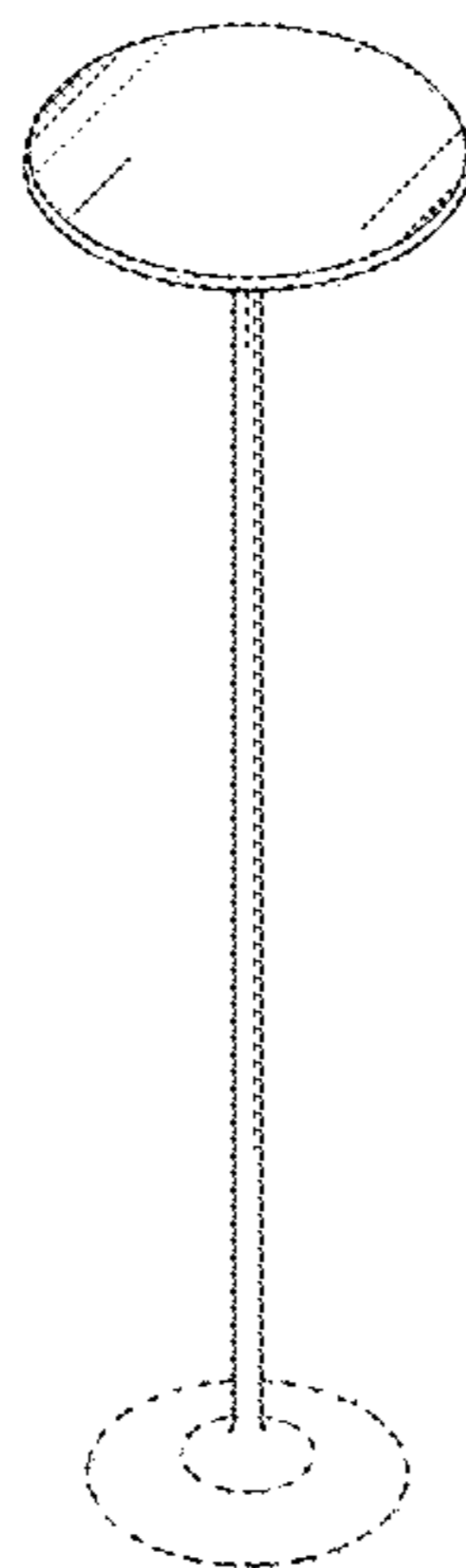
*Primary Examiner* — Rhea Shields  
(74) *Attorney, Agent, or Firm* — Thomas | Horstemeyer,  
LLP

(57) **CLAIM**  
The ornamental design for a floor lamp, as shown and described.

**DESCRIPTION**

1. Floor lamp  
1.1 is a top perspective view;  
1.2 is a bottom perspective view;  
1.3 is a side view;  
1.4 is a side view;  
1.5 is a top view; and,  
1.6 is a bottom view.  
The model regards a floor lamp with a base, a supporting rod vertically protruding from the base, and a large lighting cap supported by the rod.

**1 Claim, 6 Drawing Sheets**



(56)

References Cited

U.S. PATENT DOCUMENTS

D412,593 S 8/1999 Lin  
 D413,999 S 9/1999 Diaz-Azcuy  
 D414,289 S 9/1999 Diaz-Azcuy  
 D426,667 S 6/2000 Kaviani  
 D429,658 S \* 8/2000 Biagi ..... D11/41  
 D447,649 S 9/2001 Mason  
 6,419,649 B1 \* 7/2002 Klein ..... A44C 15/0035  
 601/46  
 D465,878 S 11/2002 Hsu  
 D473,595 S \* 4/2003 Fisher ..... D20/22  
 D480,827 S 10/2003 Hsieh  
 D484,636 S 12/2003 Hsieh  
 D489,637 S \* 5/2004 Zavilenski ..... D11/40  
 D496,181 S \* 9/2004 Maness ..... D6/692.3  
 D509,018 S 8/2005 Barbeta  
 D509,019 S 8/2005 Castro  
 D512,175 S 11/2005 Santachiara  
 D525,739 S \* 7/2006 Wu ..... D26/93  
 D543,732 S \* 6/2007 Alter Molina ..... D6/692.3  
 D556,938 S 12/2007 Russello  
 D560,025 S 1/2008 Shulem  
 D560,026 S 1/2008 Shulem  
 D564,263 S \* 3/2008 D'Onofrio ..... D6/688.1  
 D570,030 S 5/2008 Starck  
 D571,575 S \* 6/2008 Hunter ..... D6/405  
 D588,302 S 3/2009 Chen  
 D590,092 S 4/2009 Starck  
 D602,990 S \* 10/2009 Magera ..... D20/22  
 D604,454 S 11/2009 Majidi  
 D606,236 S 12/2009 Sabernig  
 D610,739 S 2/2010 Jourdan  
 D611,185 S 3/2010 Jourdan  
 D611,737 S \* 3/2010 Miller ..... D6/692  
 D612,564 S 3/2010 Comley  
 D625,039 S 10/2010 Citterio  
 D629,633 S \* 12/2010 Aldred ..... D6/692  
 D641,903 S 7/2011 Nam  
 D646,837 S 10/2011 Yu  
 D650,510 S 12/2011 Jensen  
 D652,555 S 1/2012 Palese

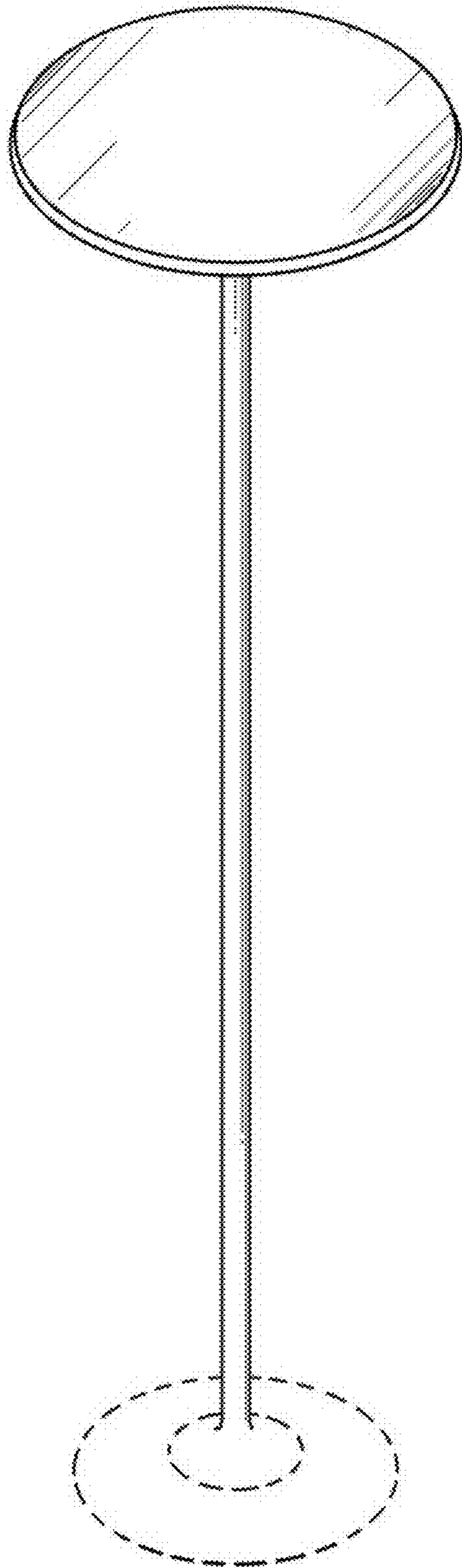
D662,005 S \* 6/2012 Bennett ..... D11/40  
 D662,648 S 6/2012 Whiting  
 D670,424 S 11/2012 Lee  
 D671,772 S \* 12/2012 Lee ..... D6/692.3  
 D673,703 S 1/2013 Davies  
 D681,867 S 5/2013 Wegger  
 D683,975 S 6/2013 Starck  
 D696,883 S \* 1/2014 Krusin ..... D6/692.3  
 D697,341 S \* 1/2014 Fakahany ..... D6/677.3  
 D707,877 S 6/2014 Turner  
 D708,541 S \* 7/2014 Norendzayan ..... D11/41  
 D710,631 S \* 8/2014 Pirayesh ..... D6/672  
 D719,749 S \* 12/2014 Hernandez ..... D6/349  
 D736,986 S 8/2015 Hadrath  
 D738,562 S 9/2015 Ellis  
 D739,070 S \* 9/2015 Wilson ..... D26/104  
 D739,167 S \* 9/2015 Barber ..... D6/692  
 D740,253 S \* 10/2015 Jeon ..... D14/204  
 D741,536 S 10/2015 Ellis  
 D743,293 S \* 11/2015 Weems ..... D11/75  
 D744,453 S 12/2015 Ryu  
 D747,229 S \* 1/2016 Perez ..... D10/104.1  
 D750,314 S 2/2016 Hobson  
 D751,246 S 3/2016 Yao  
 D761,484 S 7/2016 Laukkanen  
 D762,764 S \* 8/2016 Wilk ..... D17/13  
 D763,499 S 8/2016 Lee  
 D765,904 S 9/2016 Pouzet  
 D766,493 S 9/2016 Hoshikawa  
 D766,494 S 9/2016 Hoshikawa  
 D766,823 S \* 9/2016 Wahl ..... D13/108

OTHER PUBLICATIONS

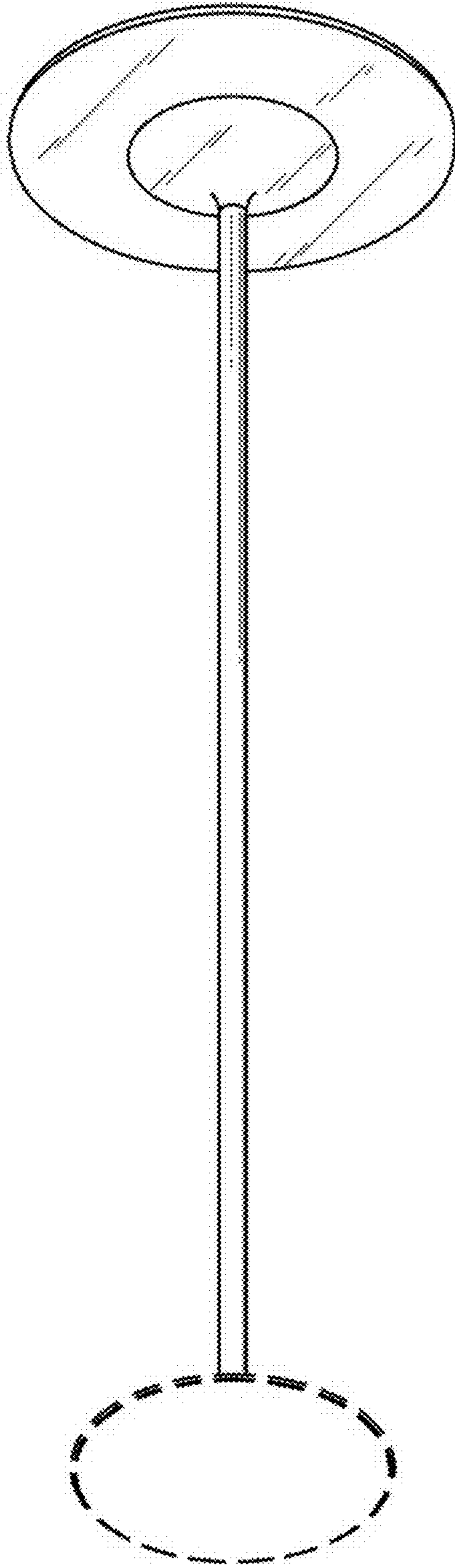
U.S. Appl. No. 35/500,416, filed Oct. 5, 2015, Philippe Starck.  
 U.S. Appl. No. 35/500,420, filed Oct. 5, 2015, Philippe Starck.  
 U.S. Appl. No. 35/500,422, filed Oct. 5, 2015, Philippe Starck.  
 U.S. Appl. No. 35/500,424, filed Oct. 5, 2015, Philippe Starck.  
 U.S. Appl. No. 35/500,417, filed Oct. 5, 2015, Philippe Starck.  
 U.S. Appl. No. 35/500,414, filed Oct. 5, 2015, Philippe Starck.  
 U.S. Appl. No. 35/500,421, filed Oct. 5, 2015, Philippe Starck.

\* cited by examiner

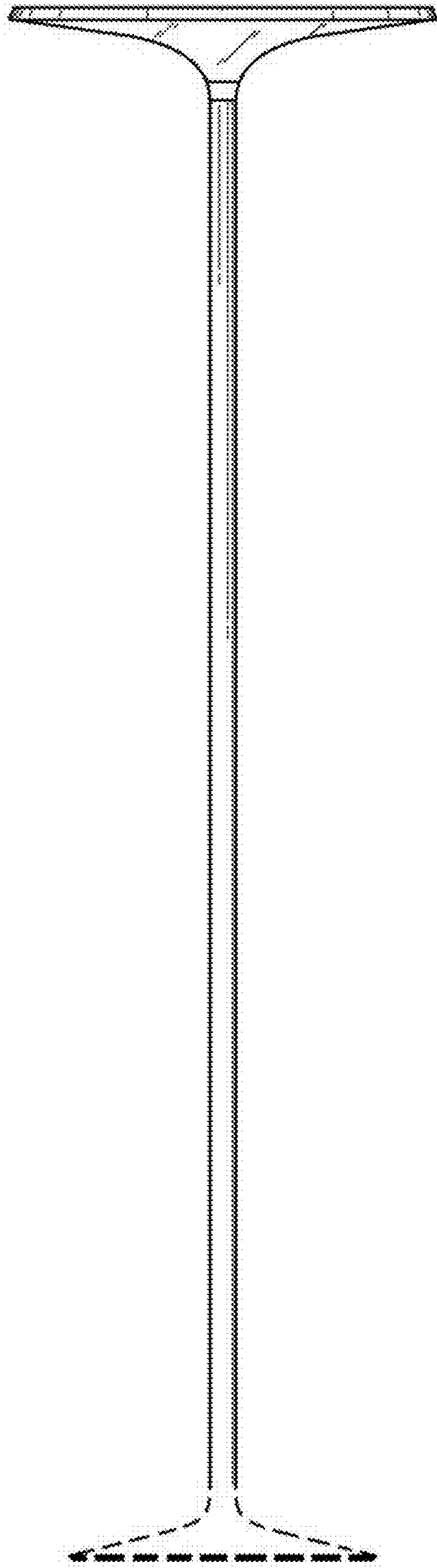
**1.1**



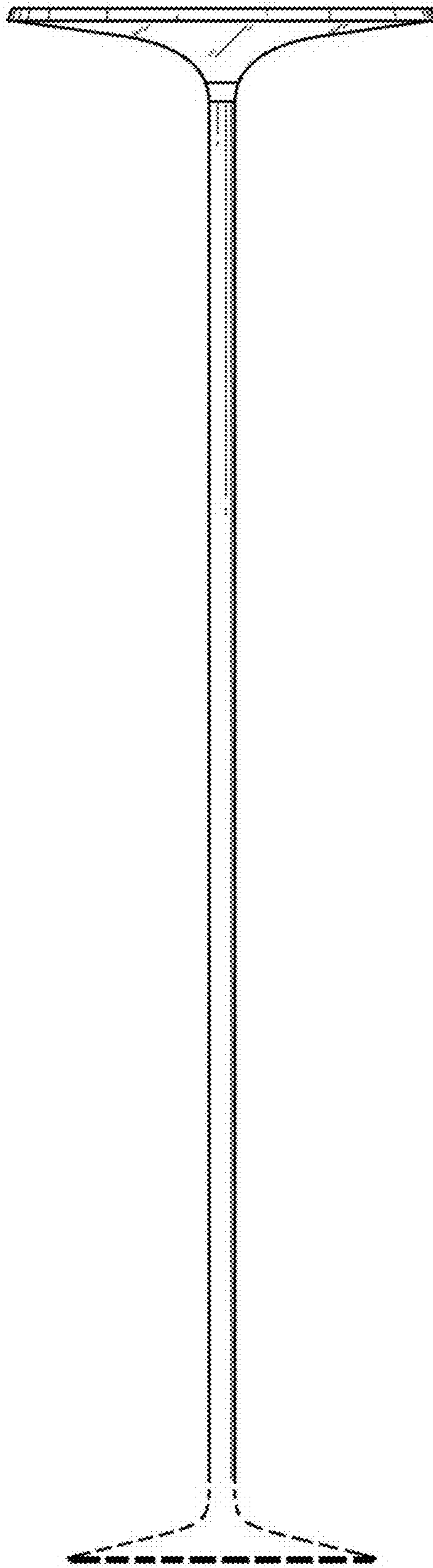
1.2



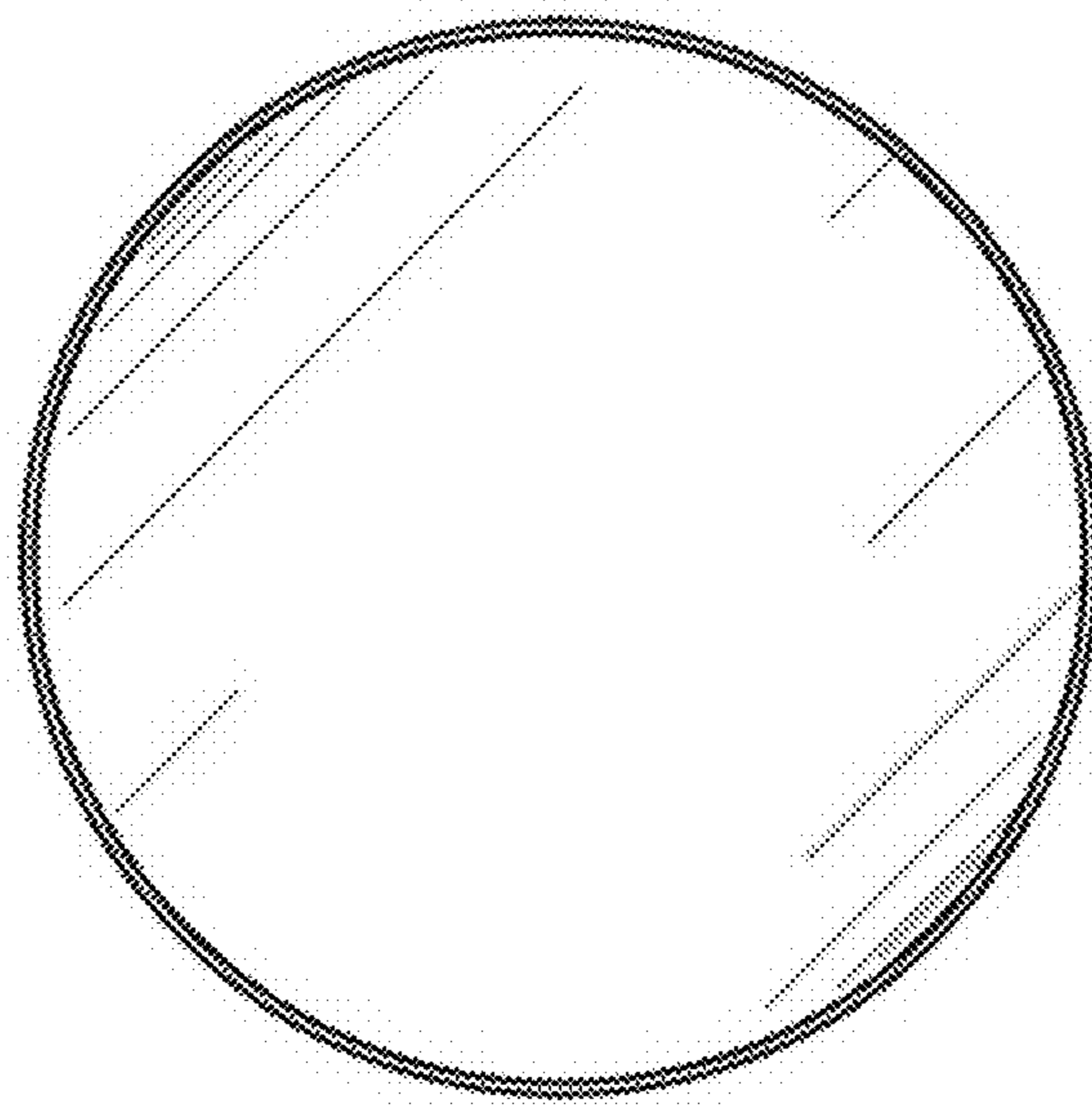
1.3



1.4



**1.5**



**1.6**

