



US00D780981S

(12) **United States Design Patent** (10) **Patent No.:** **US D780,981 S**  
**Dal Ponte et al.** (45) **Date of Patent:** **\*\* \*Mar. 7, 2017**

(54) **WALL MOUNT LUMINAIRE**

(71) Applicant: **Hubbell Incorporated**, Shelton, CT (US)

(72) Inventors: **Dean Bret Dal Ponte**, Glendale, CA (US); **Michael Scott Neuer**, Convina, CA (US); **Syed Ahmer Raza**, Rancho Palos Verdes, CA (US); **Thomas Carl Lueken**, Fontana, CA (US); **Ruben Daniel Dominguez**, Covina, CA (US)

(73) Assignee: **Hubbell Incorporated**, Shelton, CT (US)

(\*) Notice: This patent is subject to a terminal disclaimer.

(\*\*) Term: **15 Years**

(21) Appl. No.: **29/536,592**

(22) Filed: **Aug. 18, 2015**

**Related U.S. Application Data**

(62) Division of application No. 29/491,743, filed on May 23, 2014, now Pat. No. Des. 736,984.

(51) **LOC (10) Cl.** ..... **26-03**

(52) **U.S. Cl.**  
USPC ..... **D26/92**

(58) **Field of Classification Search**  
USPC ... D26/69, 70, 71, 72, 85, 92, 118; 362/431, 362/432

(Continued)

(56) **References Cited**

**U.S. PATENT DOCUMENTS**

4,729,073 A 3/1988 Klaus  
D391,659 S 3/1998 Gaskins et al.

(Continued)

*Primary Examiner* — Clare E Heflin

(74) *Attorney, Agent, or Firm* — Michael Best & Friedrich, LLP

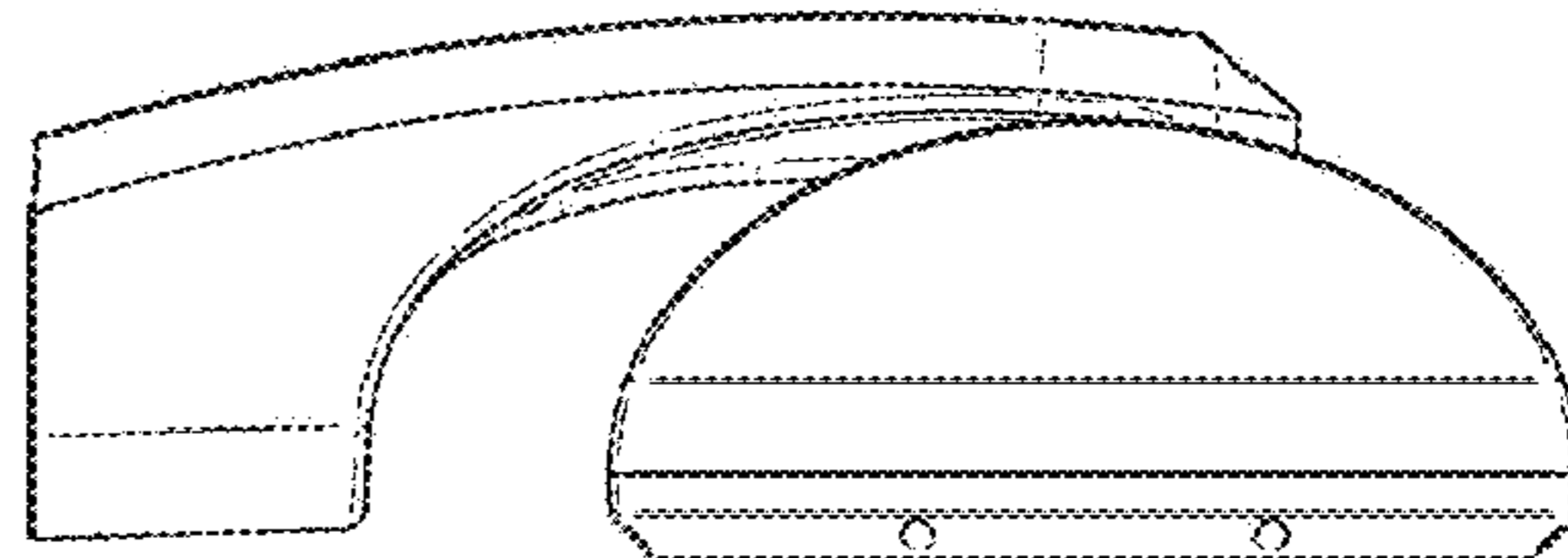
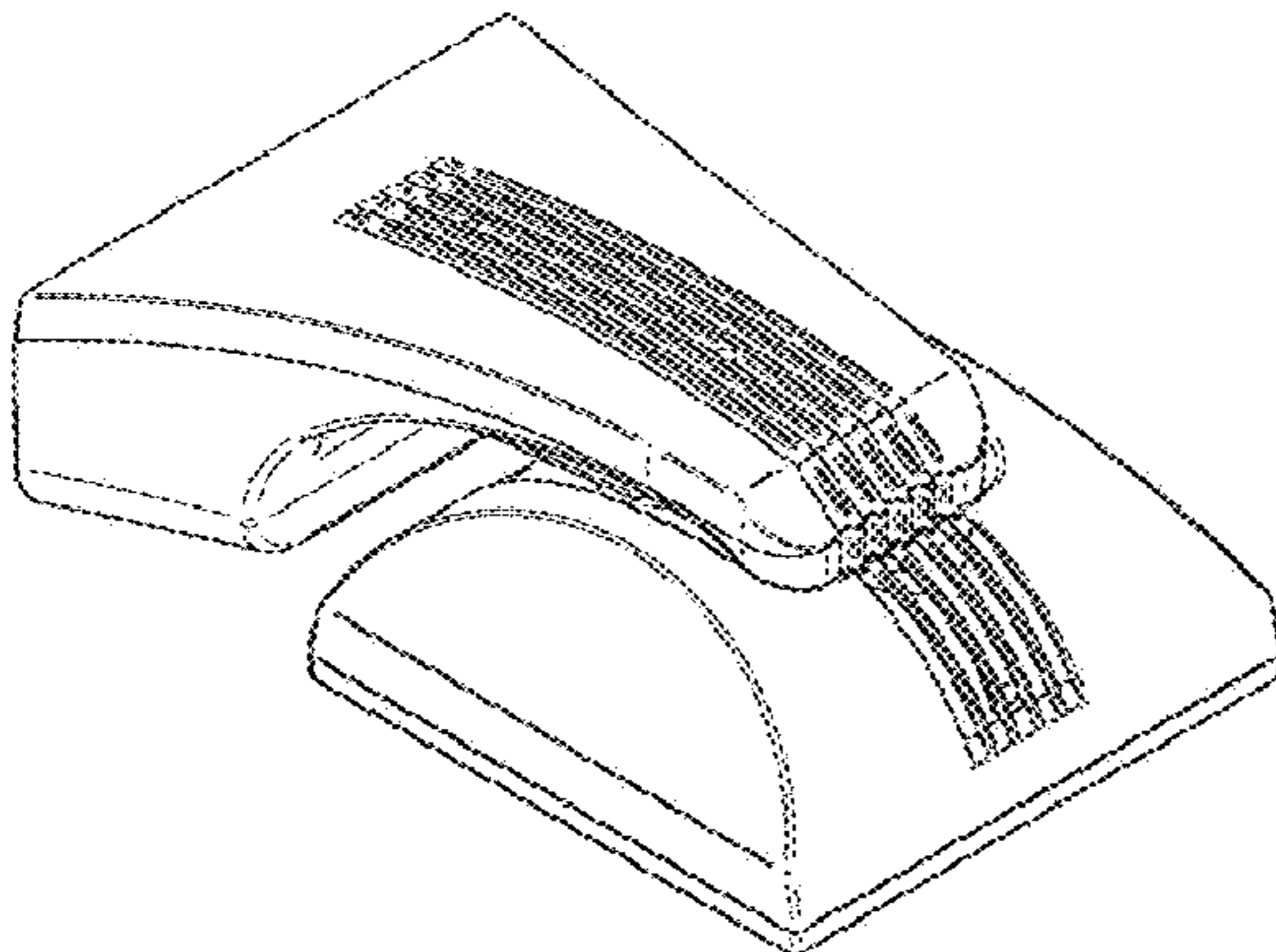
(57) **CLAIM**

The ornamental design for a wall mount luminaire, as shown and described.

**DESCRIPTION**

FIG. 1 is a bottom perspective view of a first embodiment of the design;  
FIG. 2 is a top perspective view thereof;  
FIG. 3 is another bottom perspective view thereof;  
FIG. 4 is another top perspective view thereof;  
FIG. 5 is a front elevation view thereof;  
FIG. 6 is a rear elevation view thereof;  
FIG. 7 is a bottom plan view thereof;  
FIG. 8 is a top plan view thereof;  
FIG. 9 is a left side elevational view thereof;  
FIG. 10 is a right side elevational view thereof;  
FIG. 11 is a bottom perspective view of a second embodiment of the design;  
FIG. 12 is a top perspective view thereof;  
FIG. 13 is another bottom perspective view thereof;  
FIG. 14 is another top perspective view thereof;  
FIG. 15 is a front elevation view thereof;  
FIG. 16 is a rear elevation view thereof;  
FIG. 17 is a bottom plan view thereof;  
FIG. 18 is a top plan view thereof;  
FIG. 19 is a left side elevational view thereof;  
FIG. 20 is a right side elevational view thereof;  
FIG. 21 is a bottom perspective view of a third embodiment of the design;  
FIG. 22 is a top perspective view thereof;  
FIG. 23 is another bottom perspective view thereof;  
FIG. 24 is another top perspective view thereof;  
FIG. 25 is a front elevation view thereof;  
FIG. 26 is a rear elevation view thereof;  
FIG. 27 is a bottom plan view thereof;  
FIG. 28 is a top plan view thereof;  
FIG. 29 is a left side elevational view thereof; and,  
FIG. 30 is a right side elevational view thereof.

(Continued)



The broken lines are for illustrative purposes only and form no part of the claimed design.

**1 Claim, 6 Drawing Sheets**

**(58) Field of Classification Search**

CPC ..... F21V 15/01; F21V 17/107; F21V 19/02;  
 F21S 8/033; F21S 8/043; F21S 8/085;  
 F21S 8/086; F21S 8/088; F21W  
 2131/103; F21W 2131/107

See application file for complete search history.

**(56) References Cited**

U.S. PATENT DOCUMENTS

D500,569 S	1/2005	Butler
D556,945 S	12/2007	Compton
D563,587 S	3/2008	Quiogue et al.
D566,318 S	4/2008	Quiogue et al.
D568,521 S	5/2008	Compton
D568,532 S	5/2008	Compton
D570,025 S	5/2008	Walker
D570,516 S	6/2008	Orellana

D574,102 S	7/2008	Quiogue et al.	
D607,593 S	1/2010	Yoo	
D609,384 S	2/2010	Gray et al.	
7,841,755 B1	11/2010	Walker	
D634,878 S	3/2011	Guercio et al.	
D636,107 S	4/2011	Compton	
D652,557 S	1/2012	Boissevain et al.	
D670,021 S	10/2012	Ahrari et al.	
D673,720 S	1/2013	Bailey et al.	
D674,950 S	1/2013	Lueken et al.	
8,342,709 B2	1/2013	Lueken et al.	
D680,258 S	4/2013	Ahrari et al.	
D680,259 S	4/2013	Ahrari et al.	
D713,987 S *	9/2014	Toms .....	D26/92
D742,577 S *	11/2015	Duckworth .....	D26/92
D743,088 S *	11/2015	Snell .....	D26/92
2003/0007353 A1	1/2003	Patrick, III	
2003/0227772 A1	12/2003	Yoshida et al.	
2005/0117333 A1	6/2005	Yoshida et al.	
2008/0094838 A1	4/2008	Russello et al.	
2009/0244881 A1	10/2009	Butler	
2010/0208460 A1	8/2010	Ladewig et al.	
2010/0238671 A1	9/2010	Catone et al.	
2011/0013397 A1	1/2011	Catone et al.	
2011/0084629 A1	4/2011	Pini	
2011/0305019 A1	12/2011	Lee	
2013/0250584 A1	9/2013	Wang et al.	

\* cited by examiner

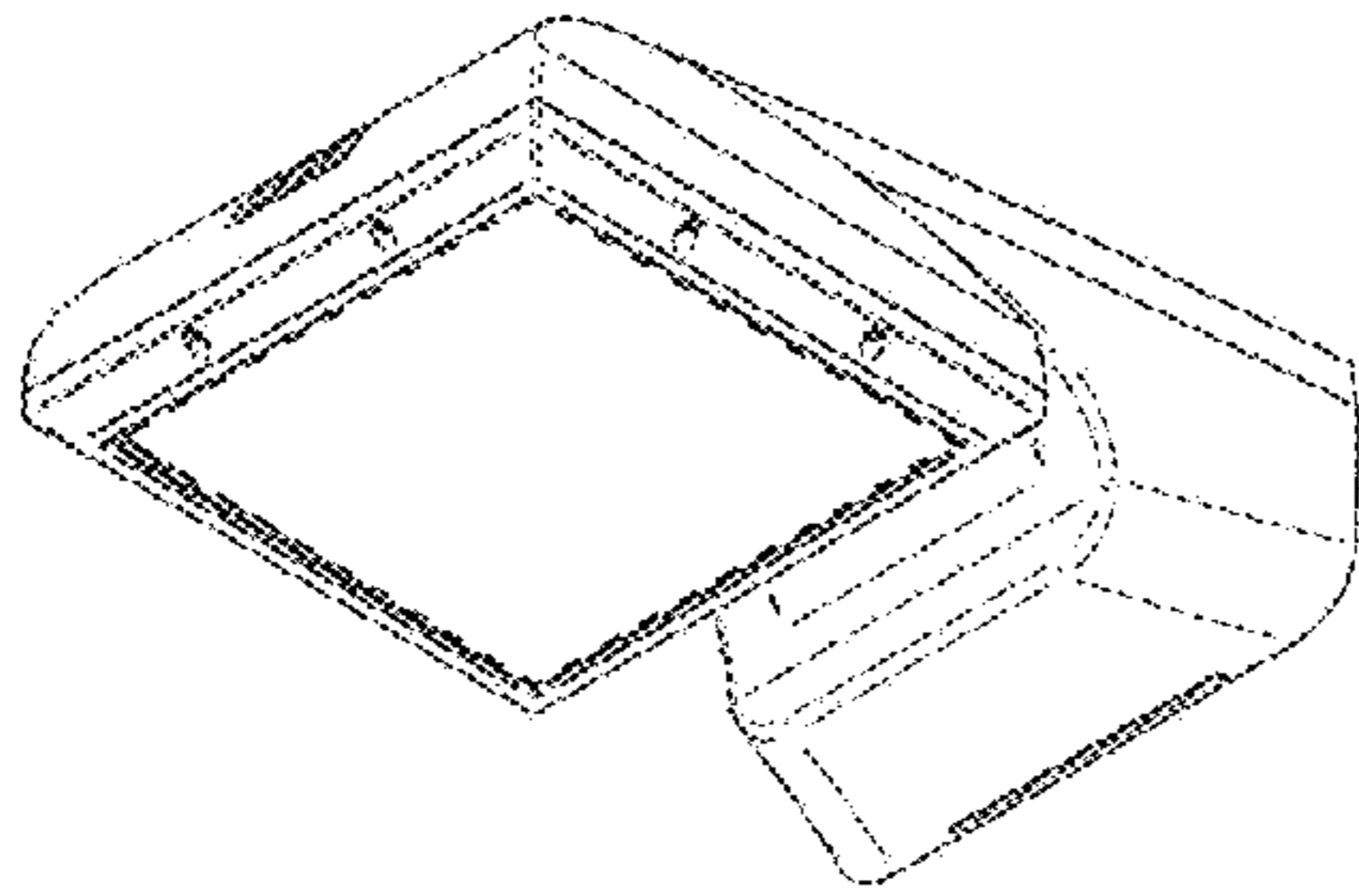


FIG. 1

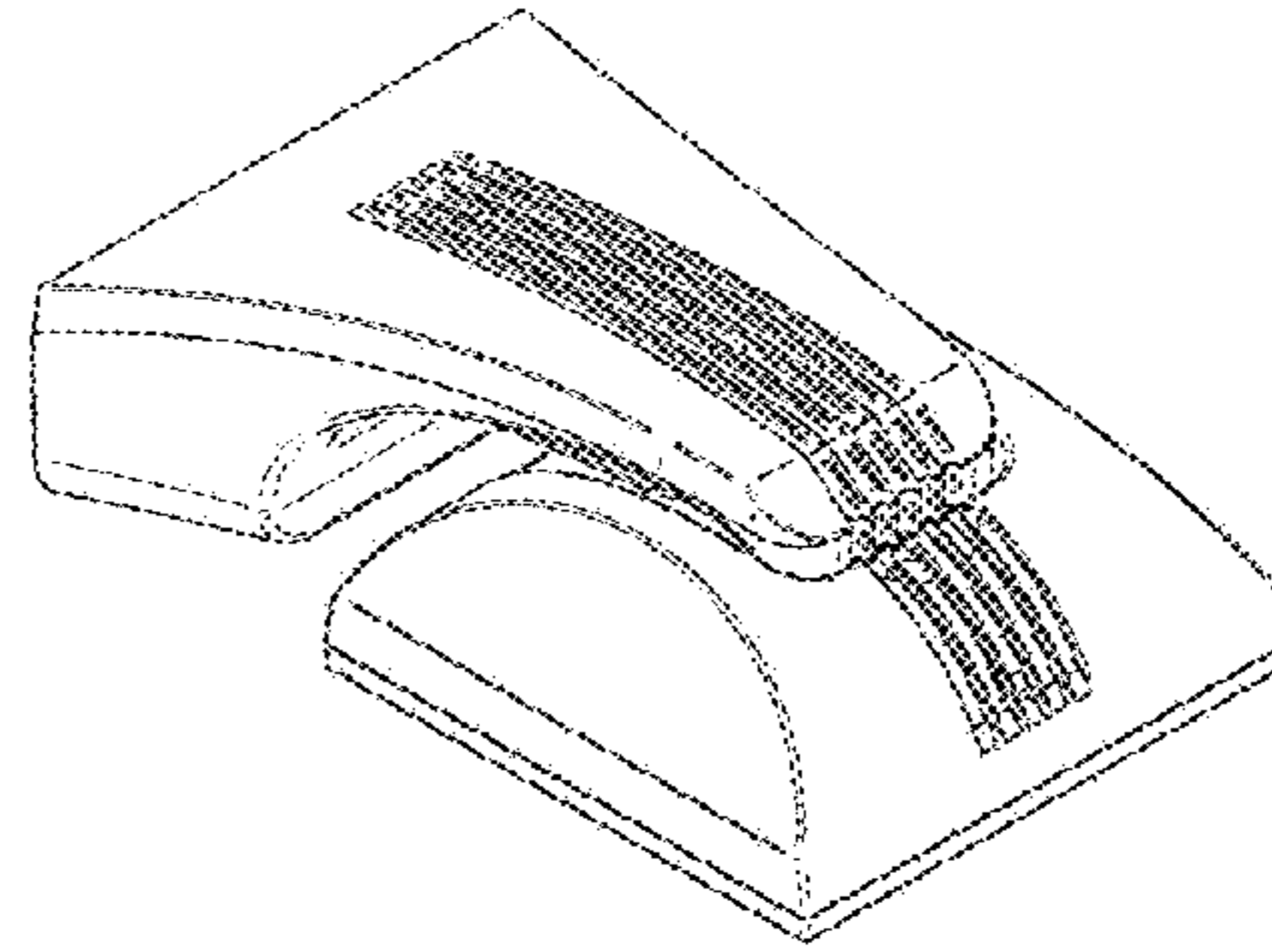


FIG. 2

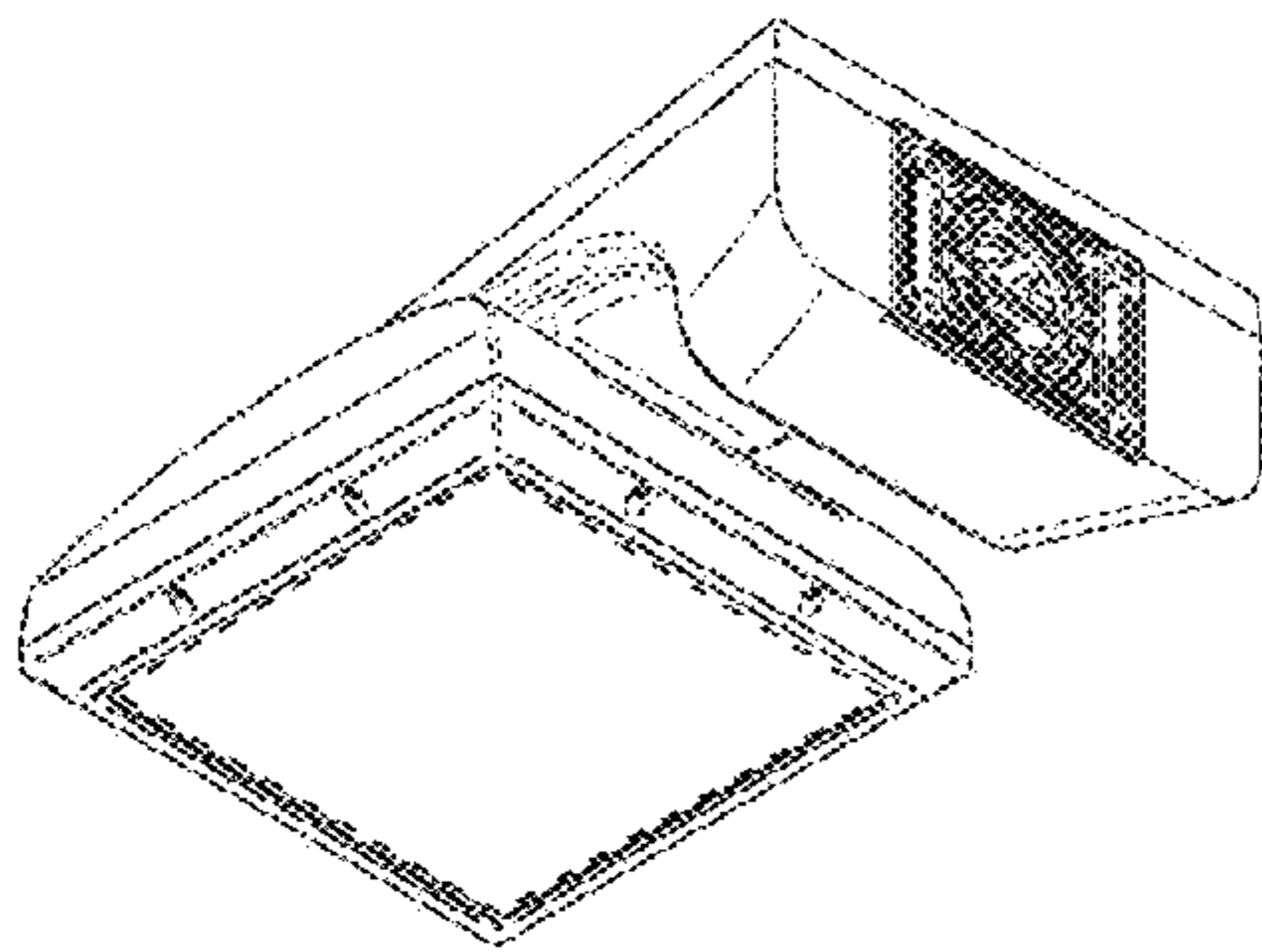


FIG. 3

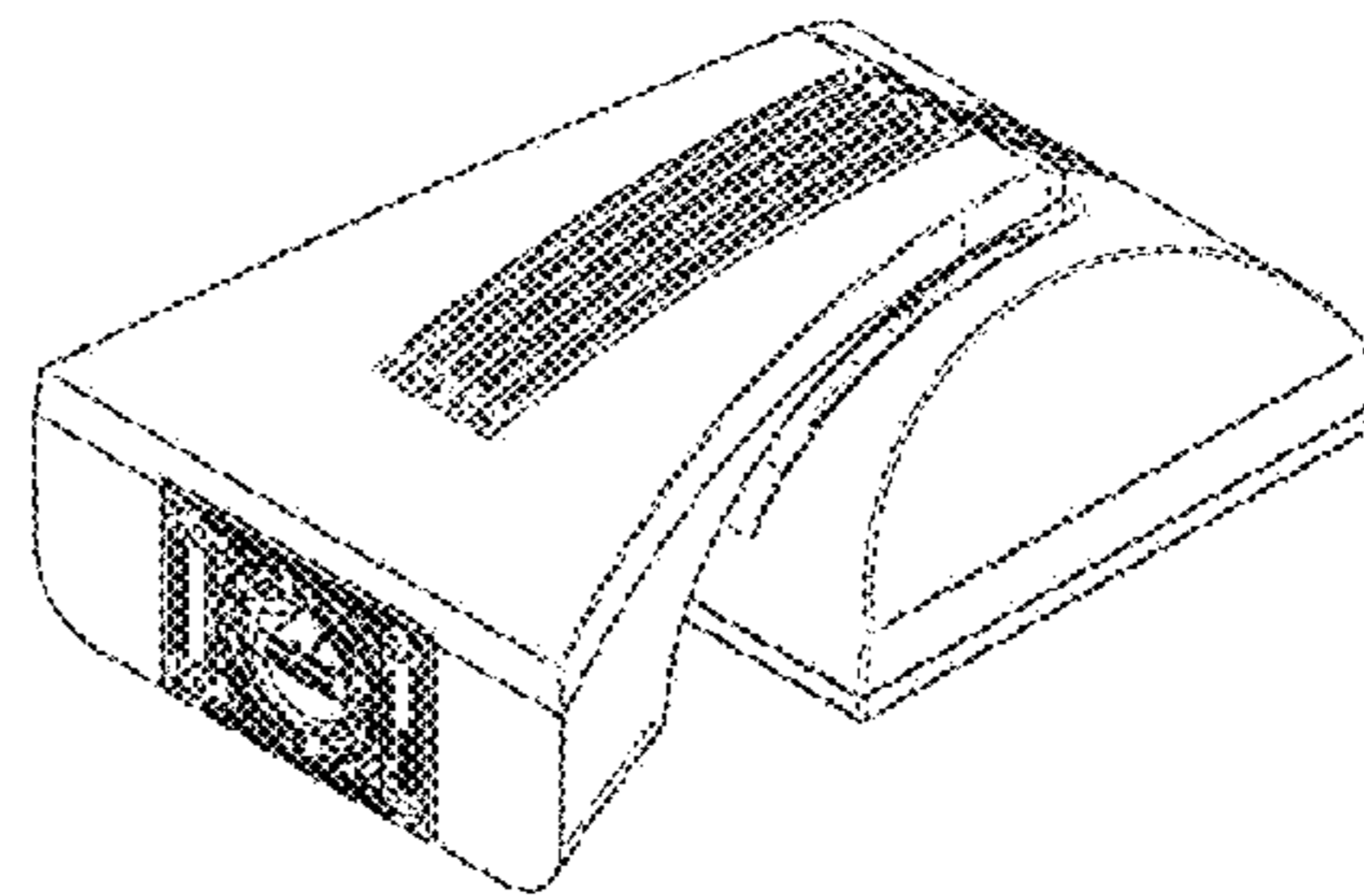


FIG. 4



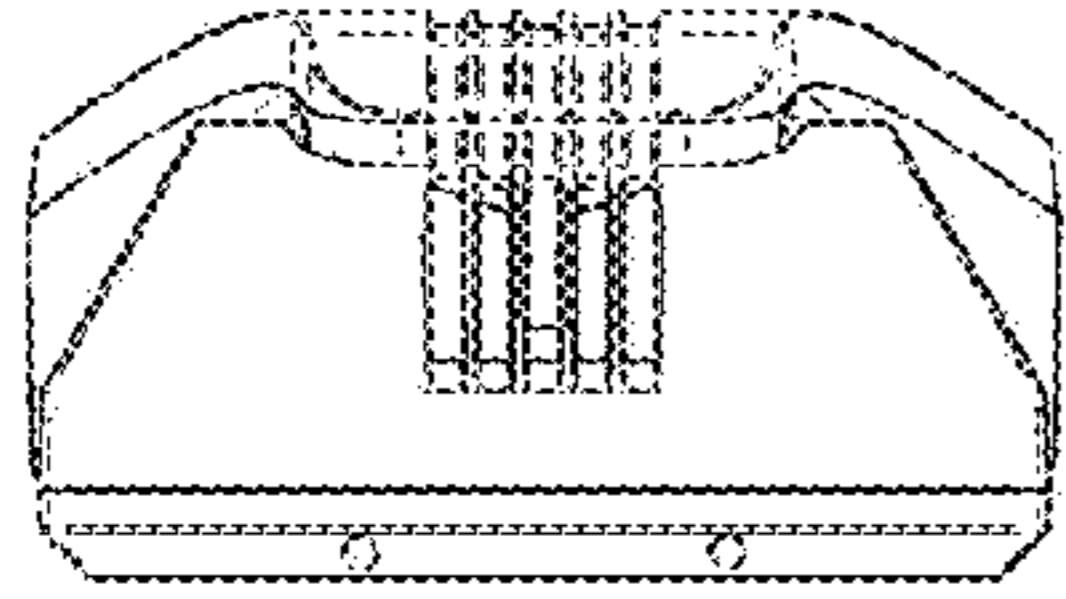


FIG. 5

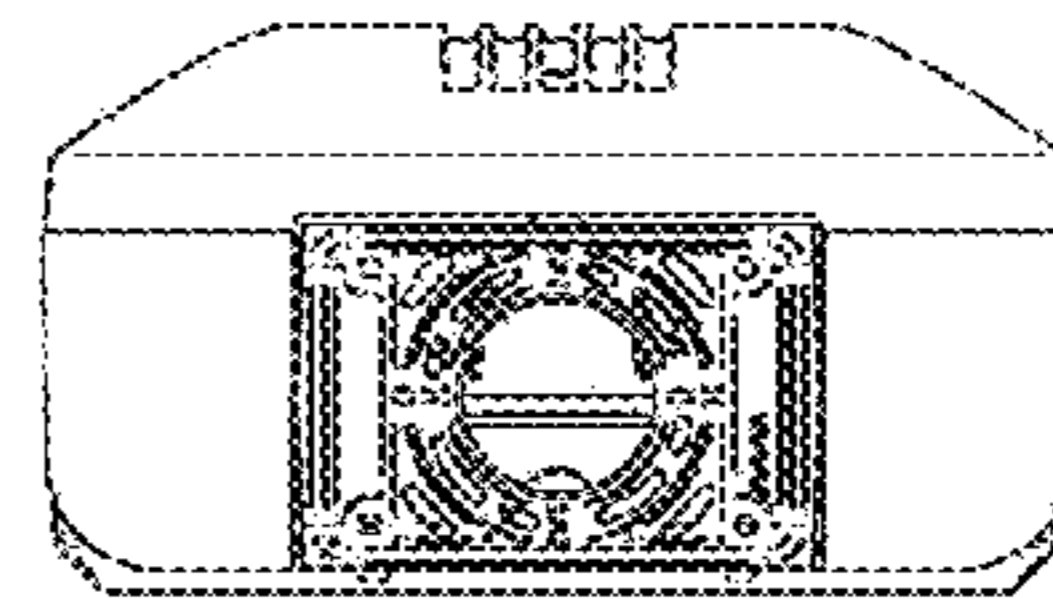


FIG. 6

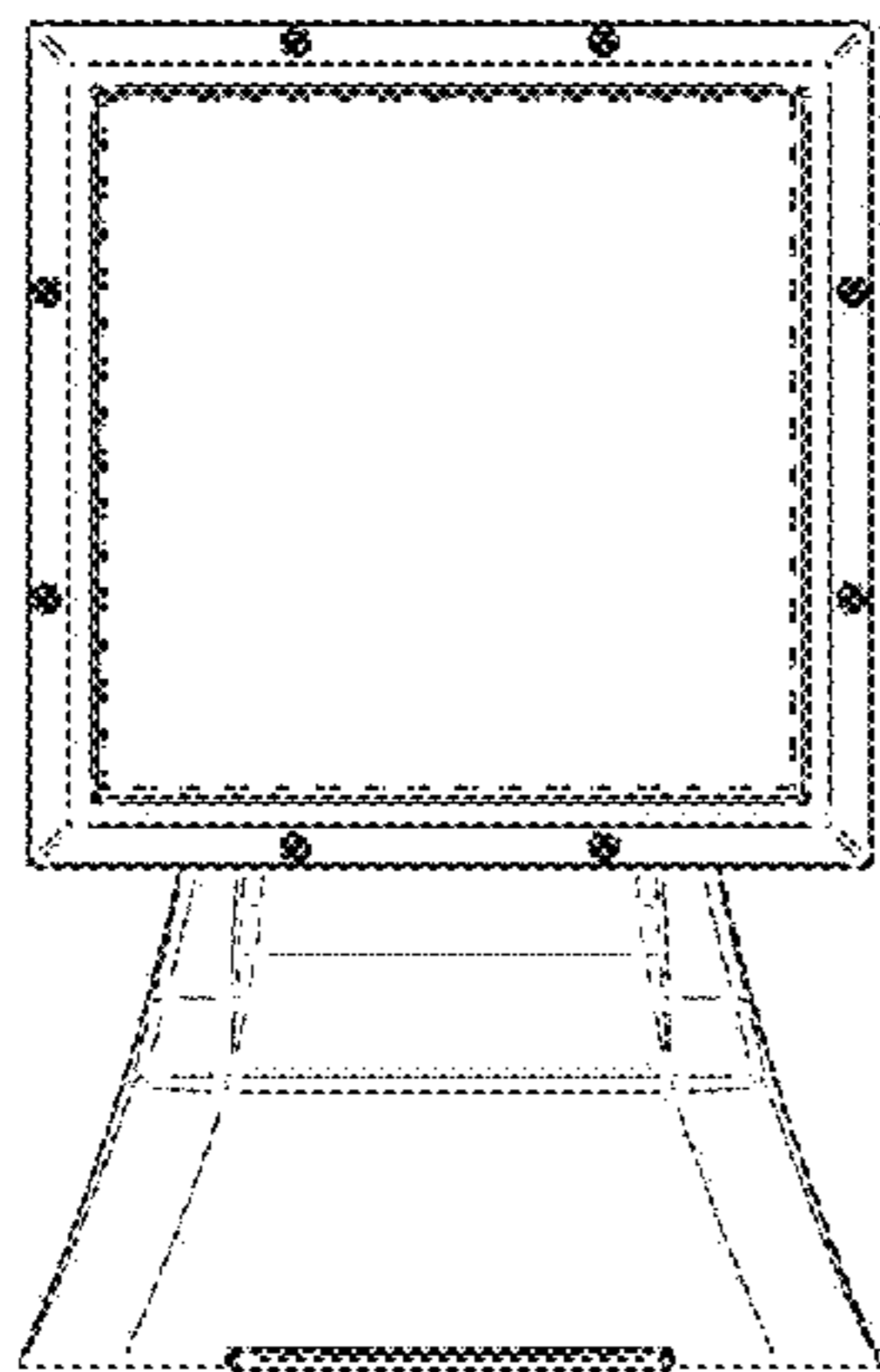


FIG. 7

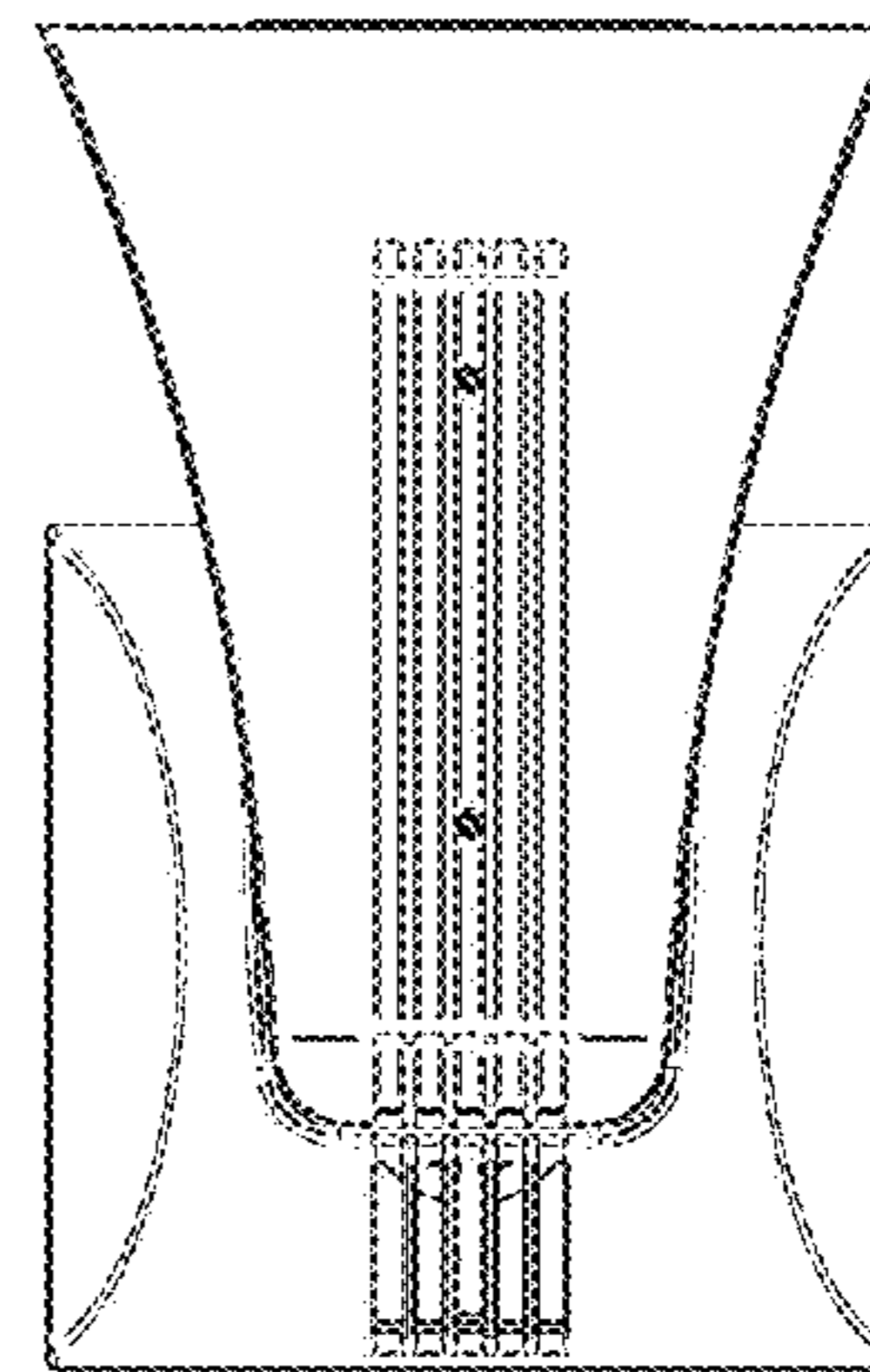


FIG. 8

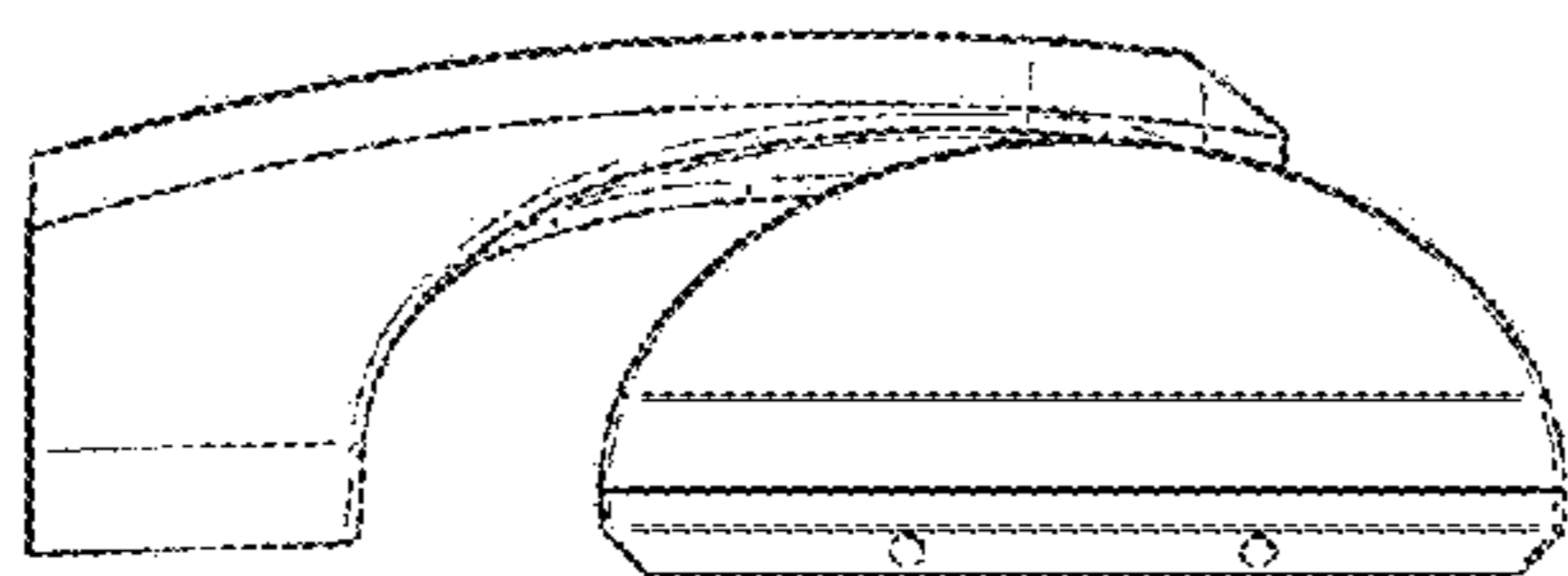


FIG. 9

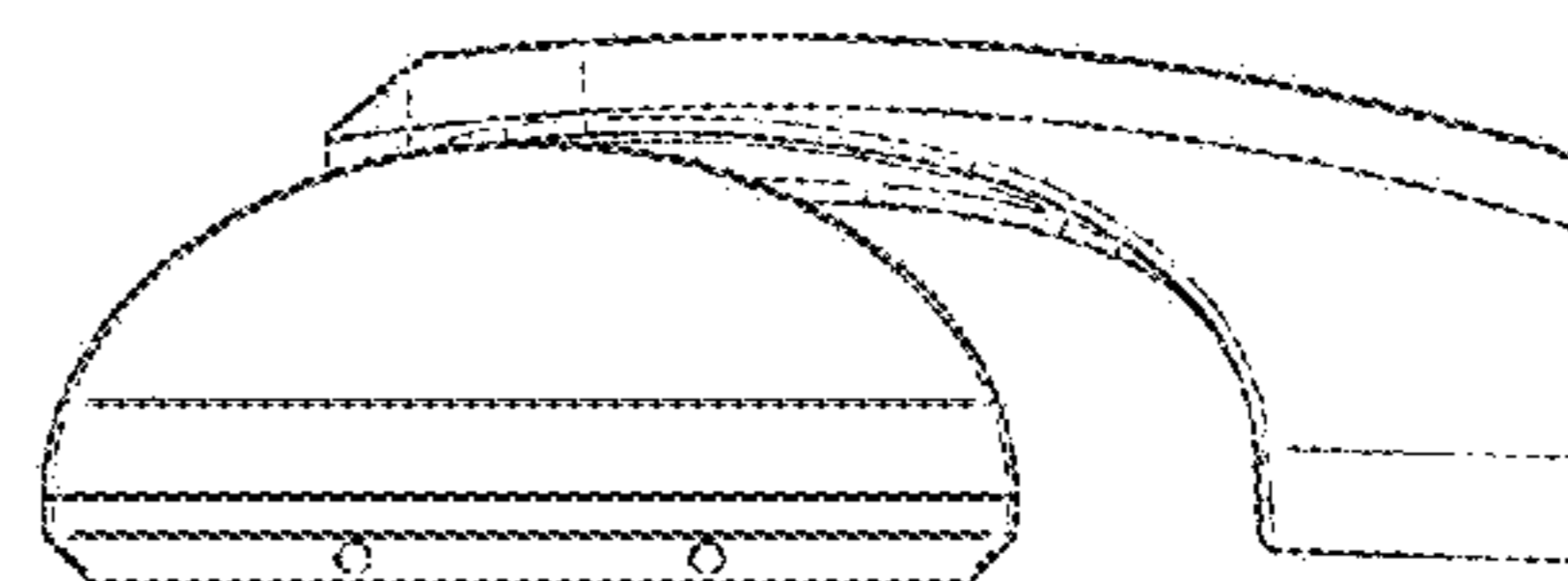


FIG. 10

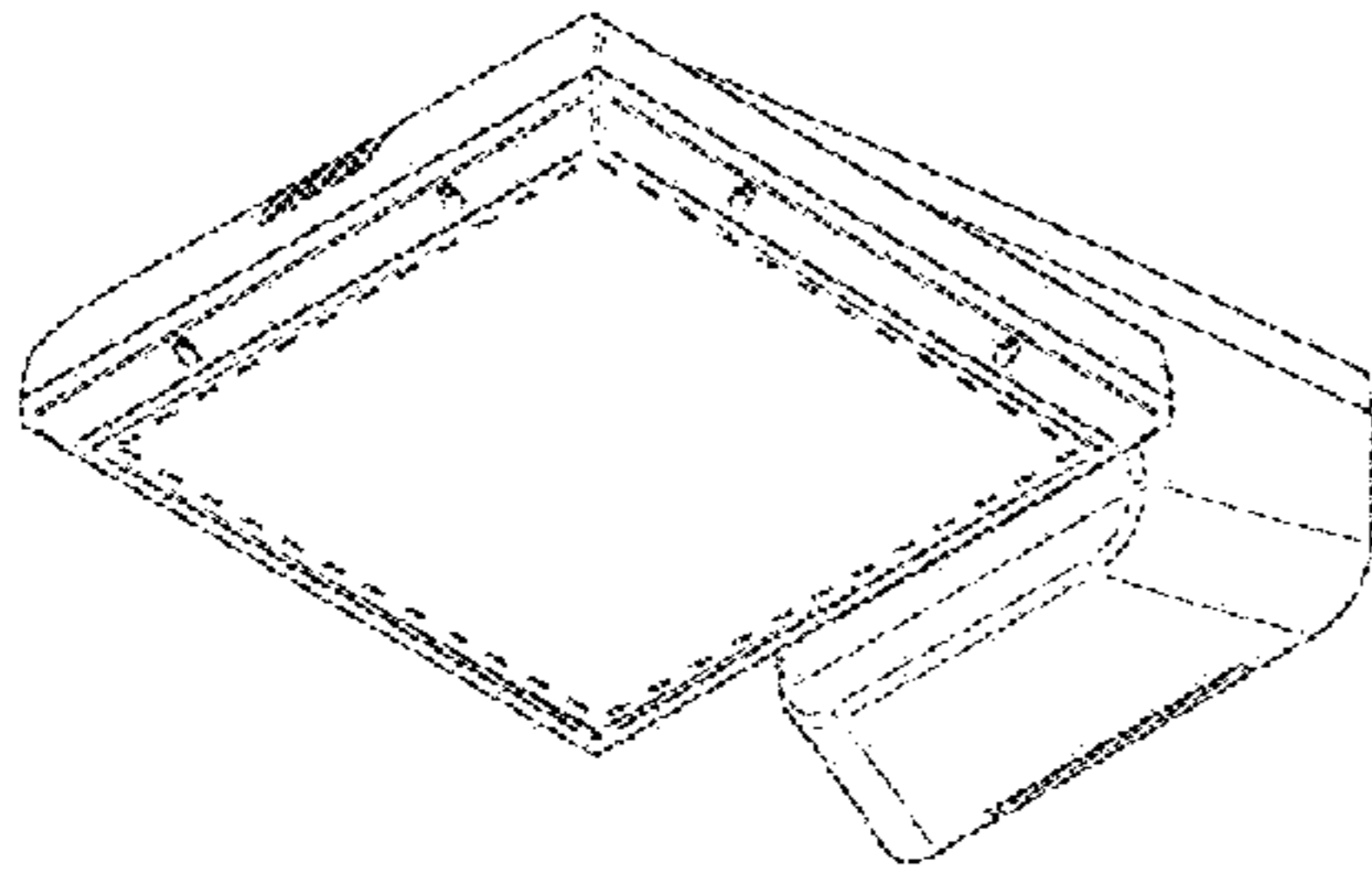


FIG. 11

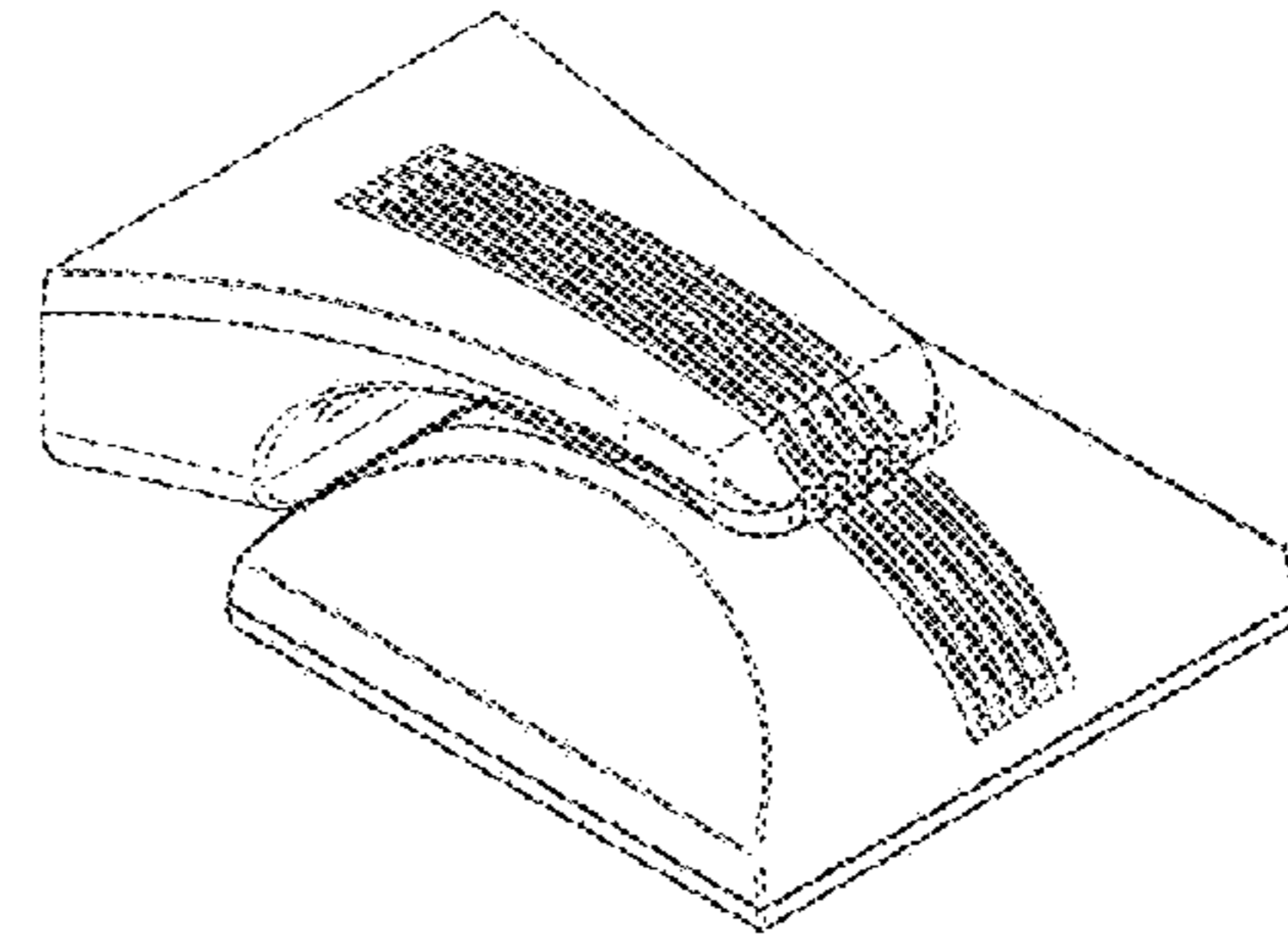


FIG. 12

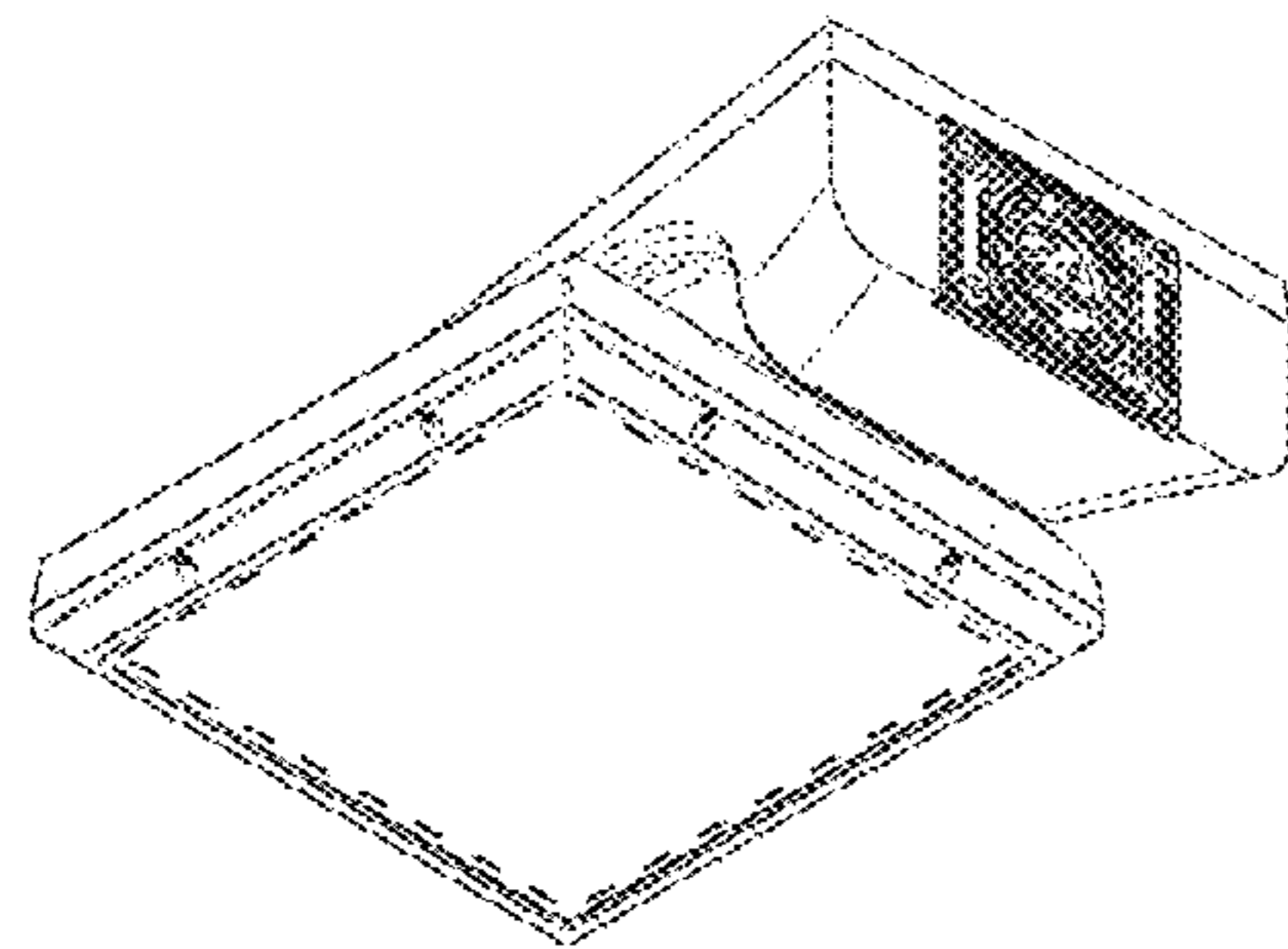


FIG. 13

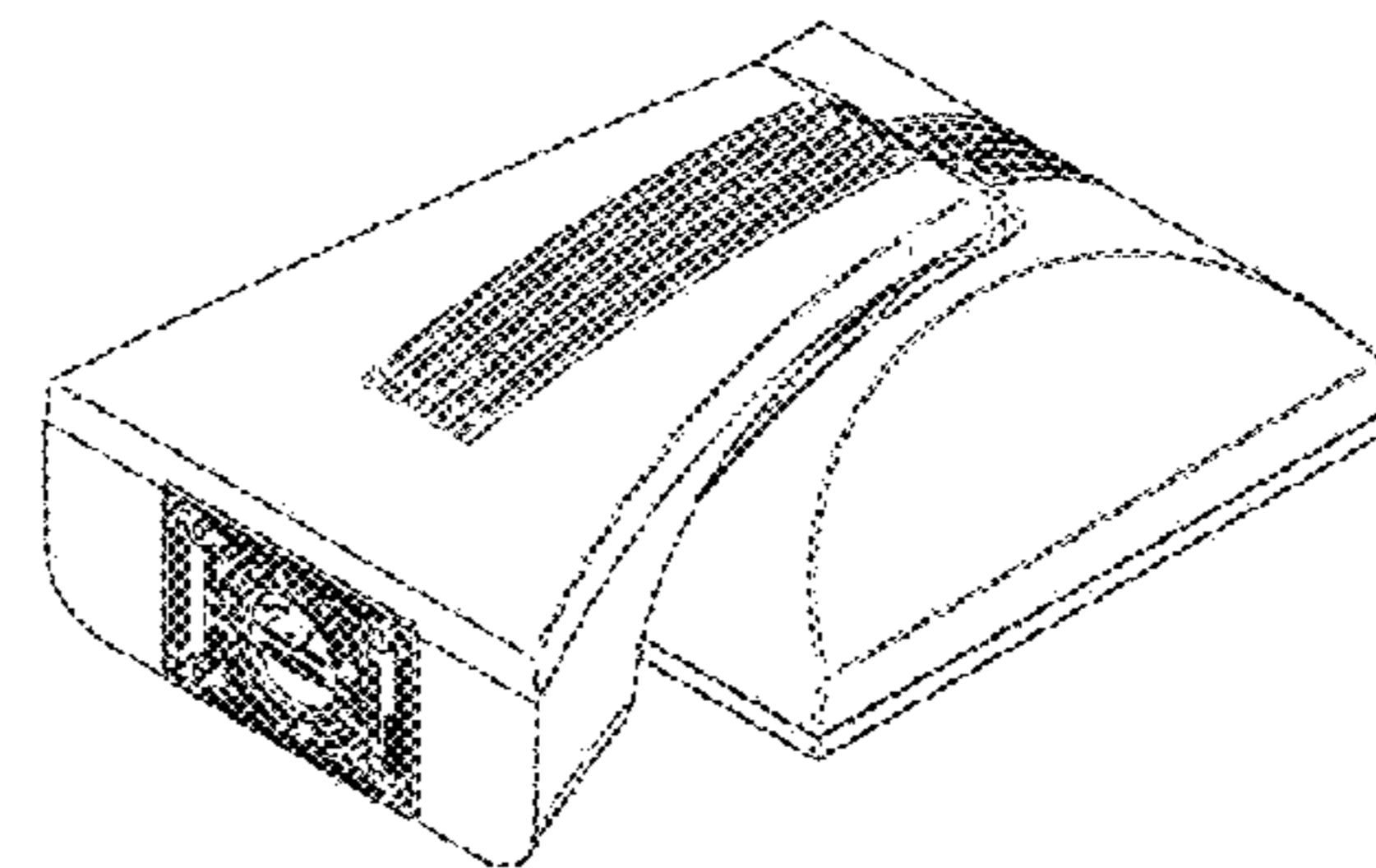


FIG. 14

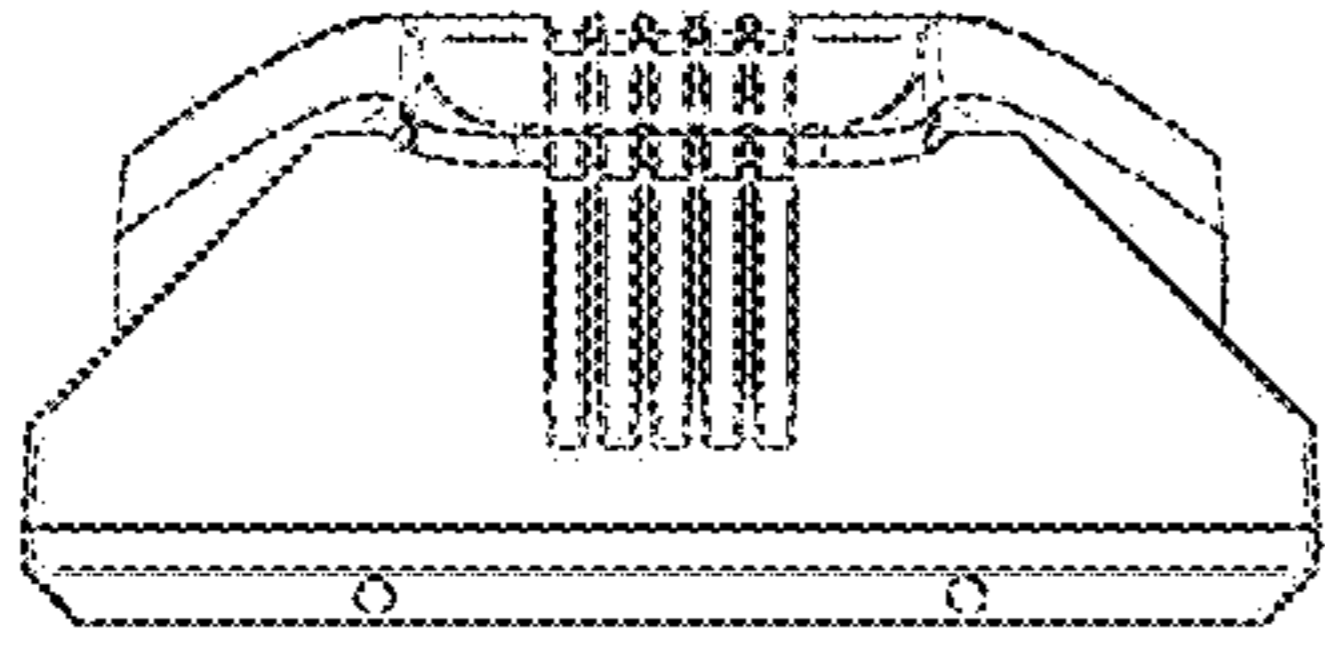


FIG. 15

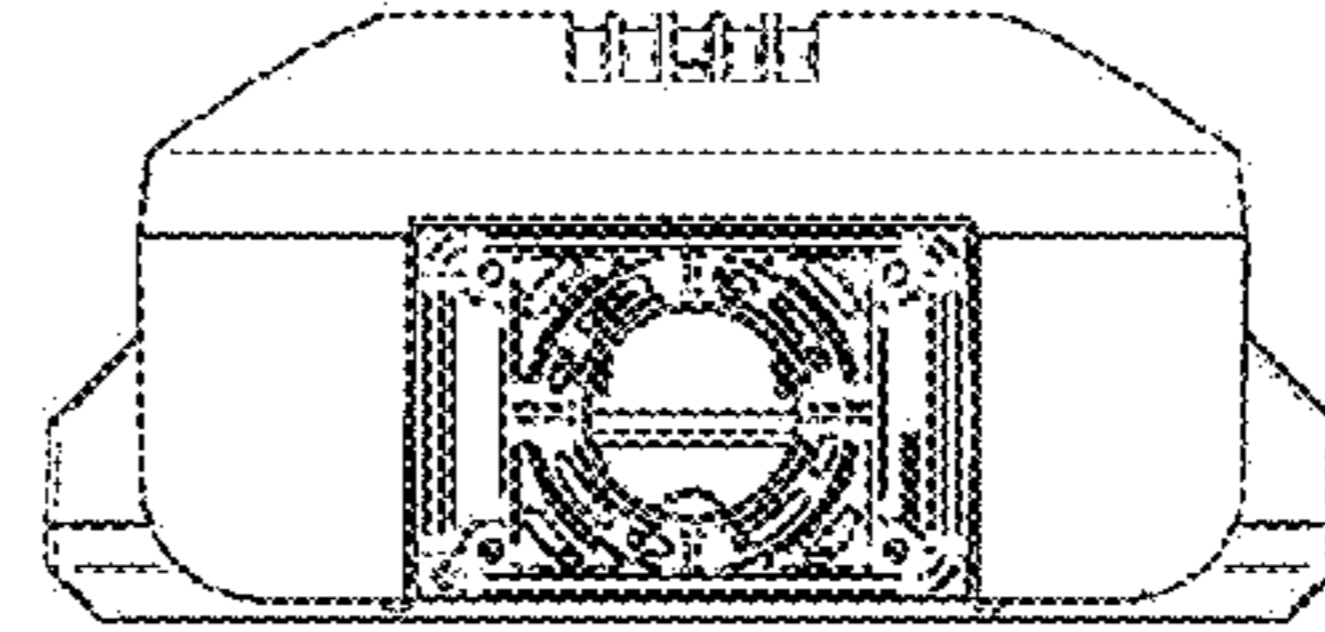


FIG. 16

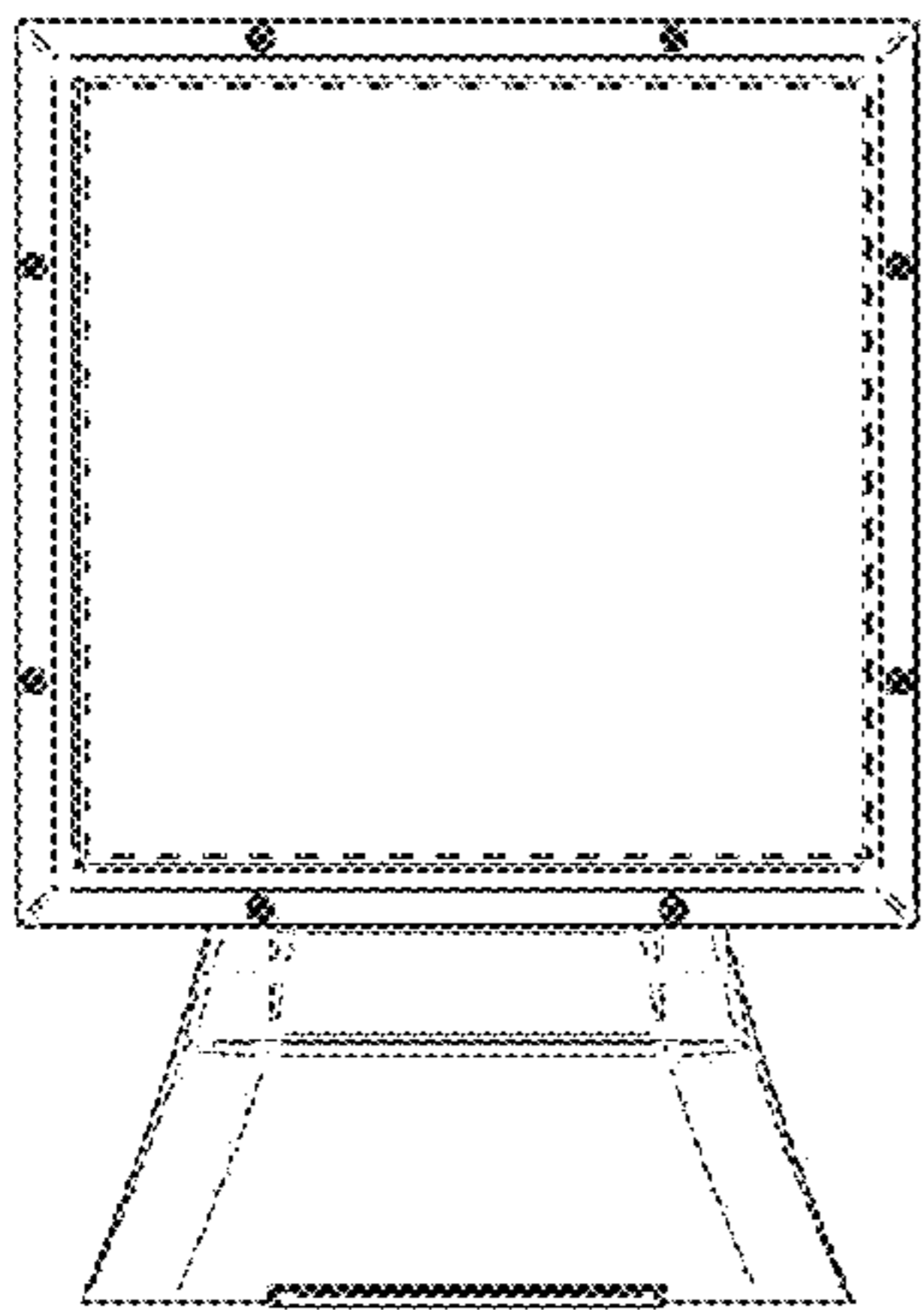


FIG. 17

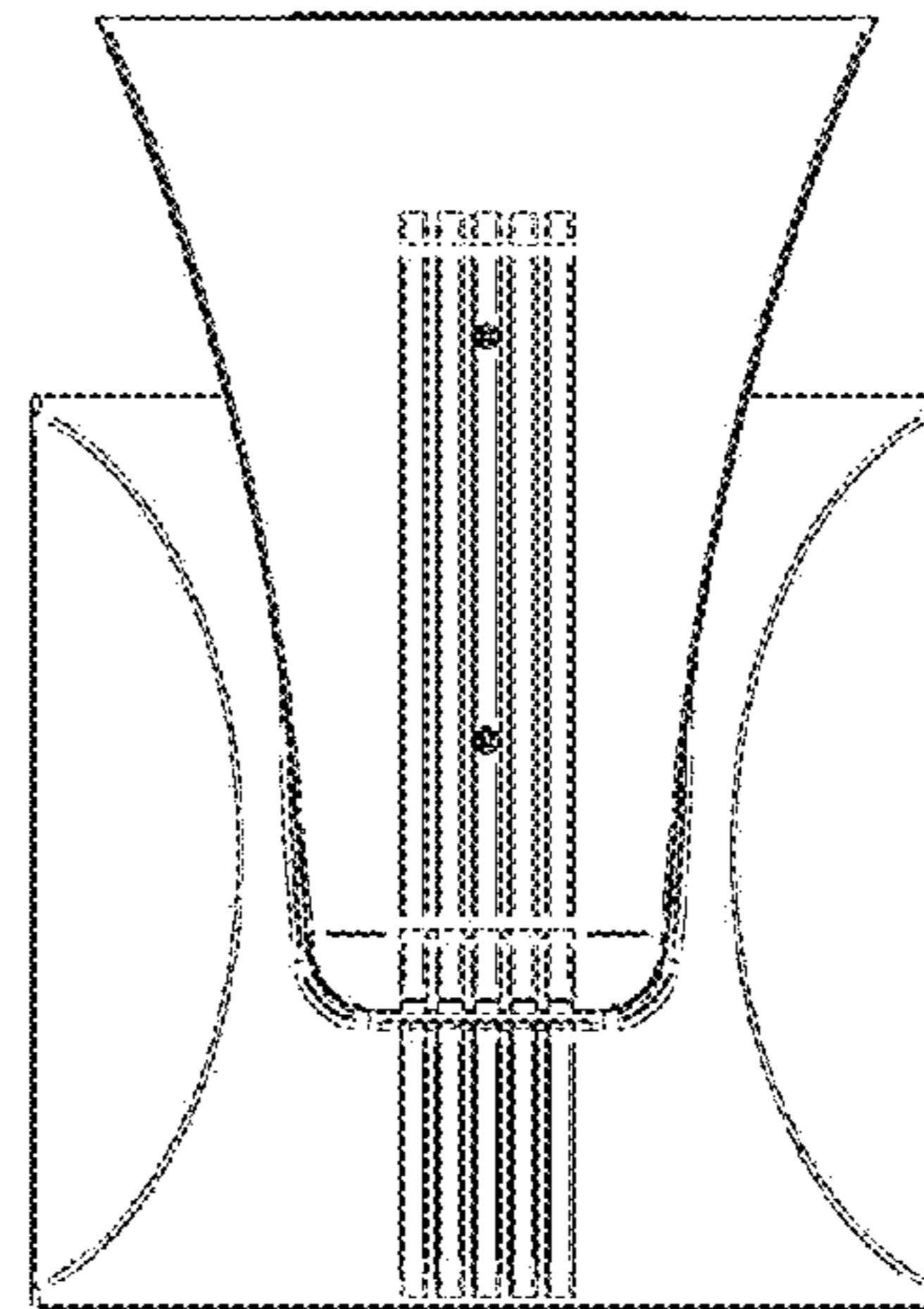


FIG. 18



FIG. 19

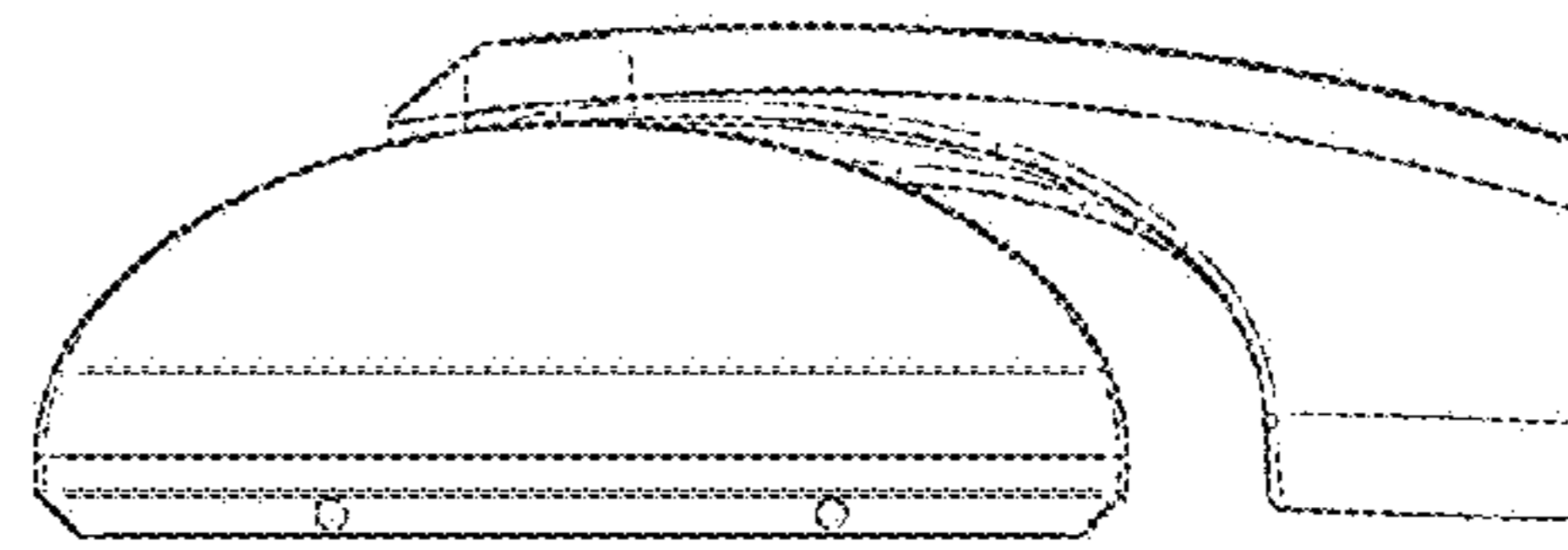


FIG. 20

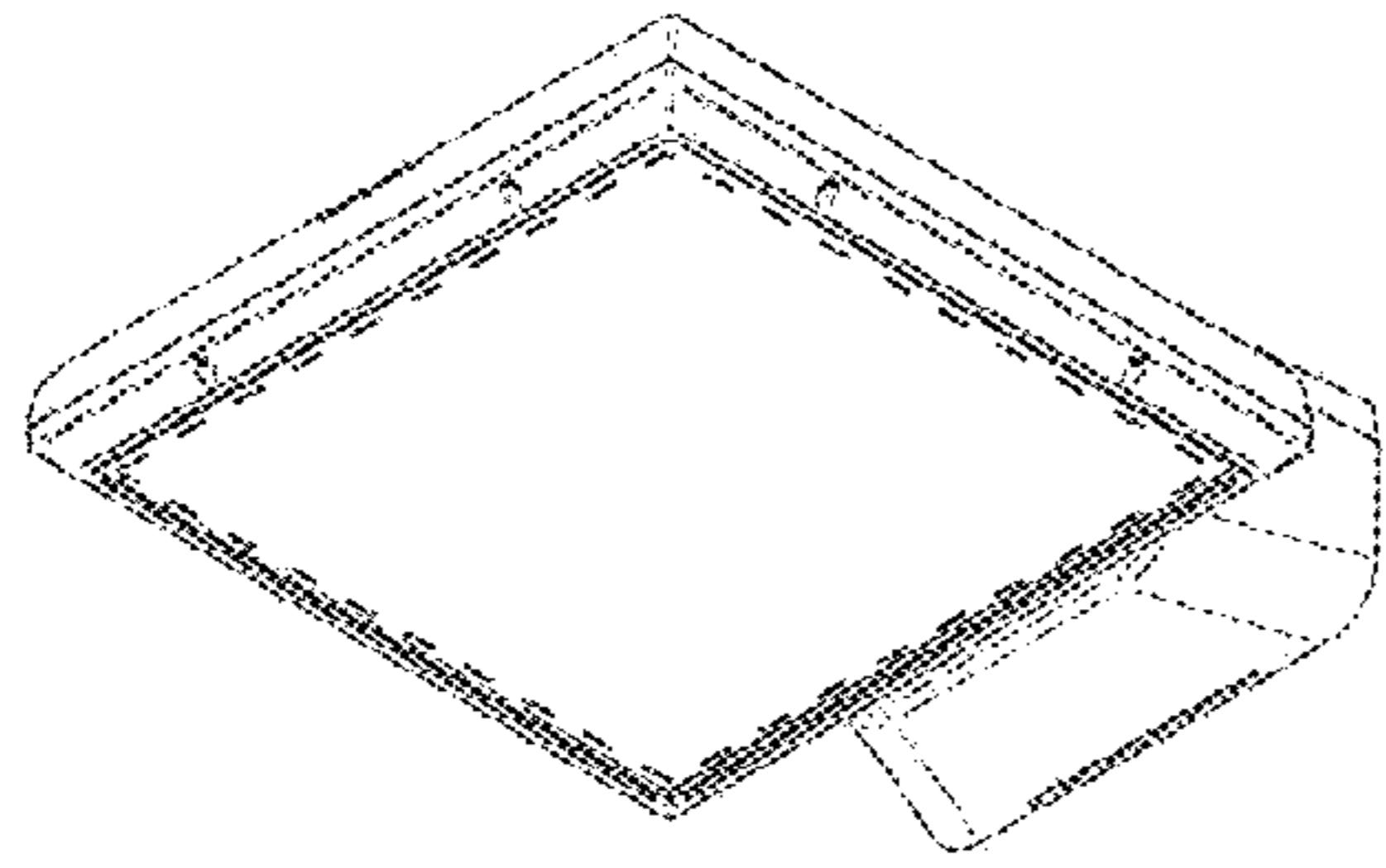


FIG. 21

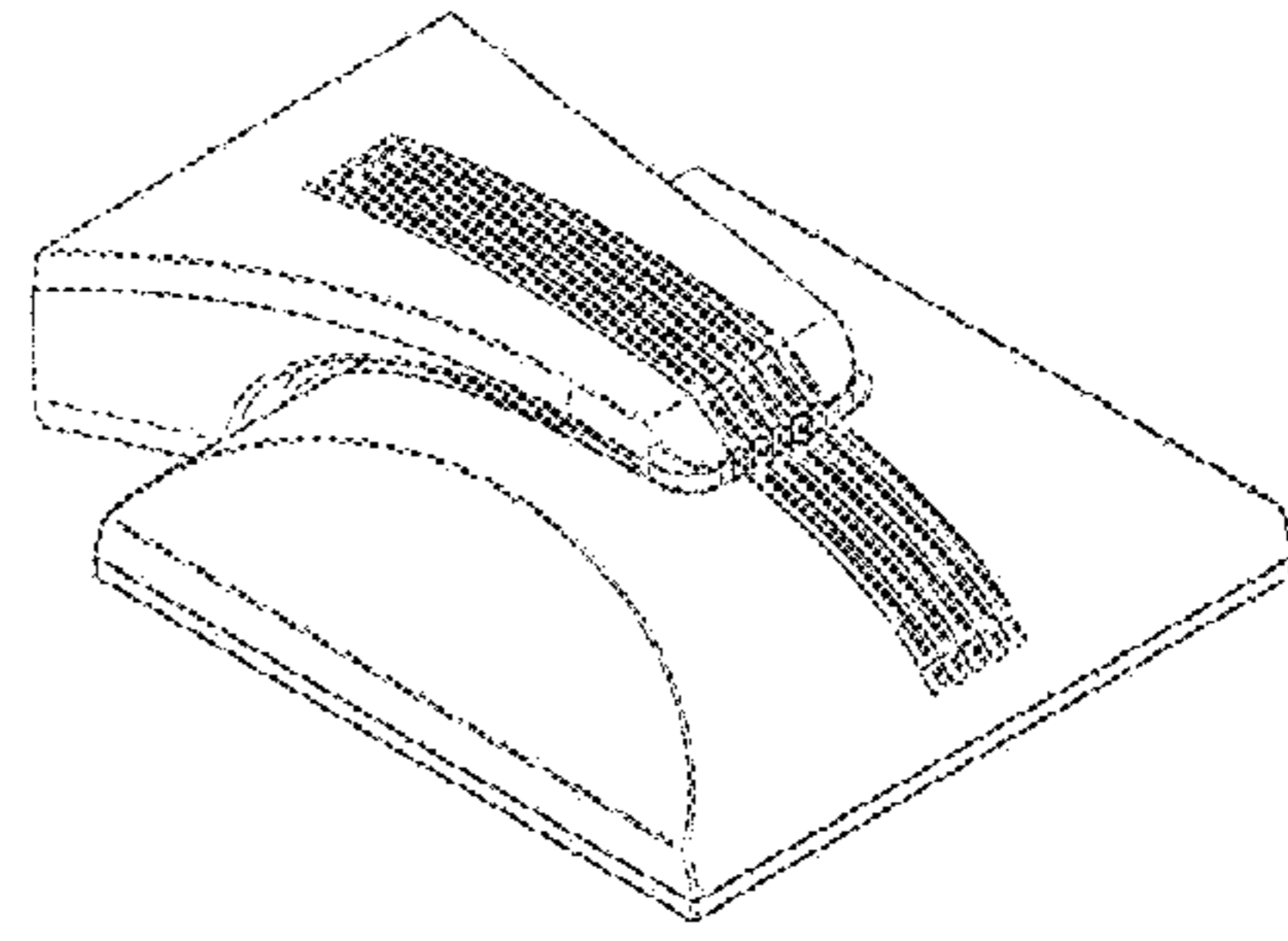


FIG. 22

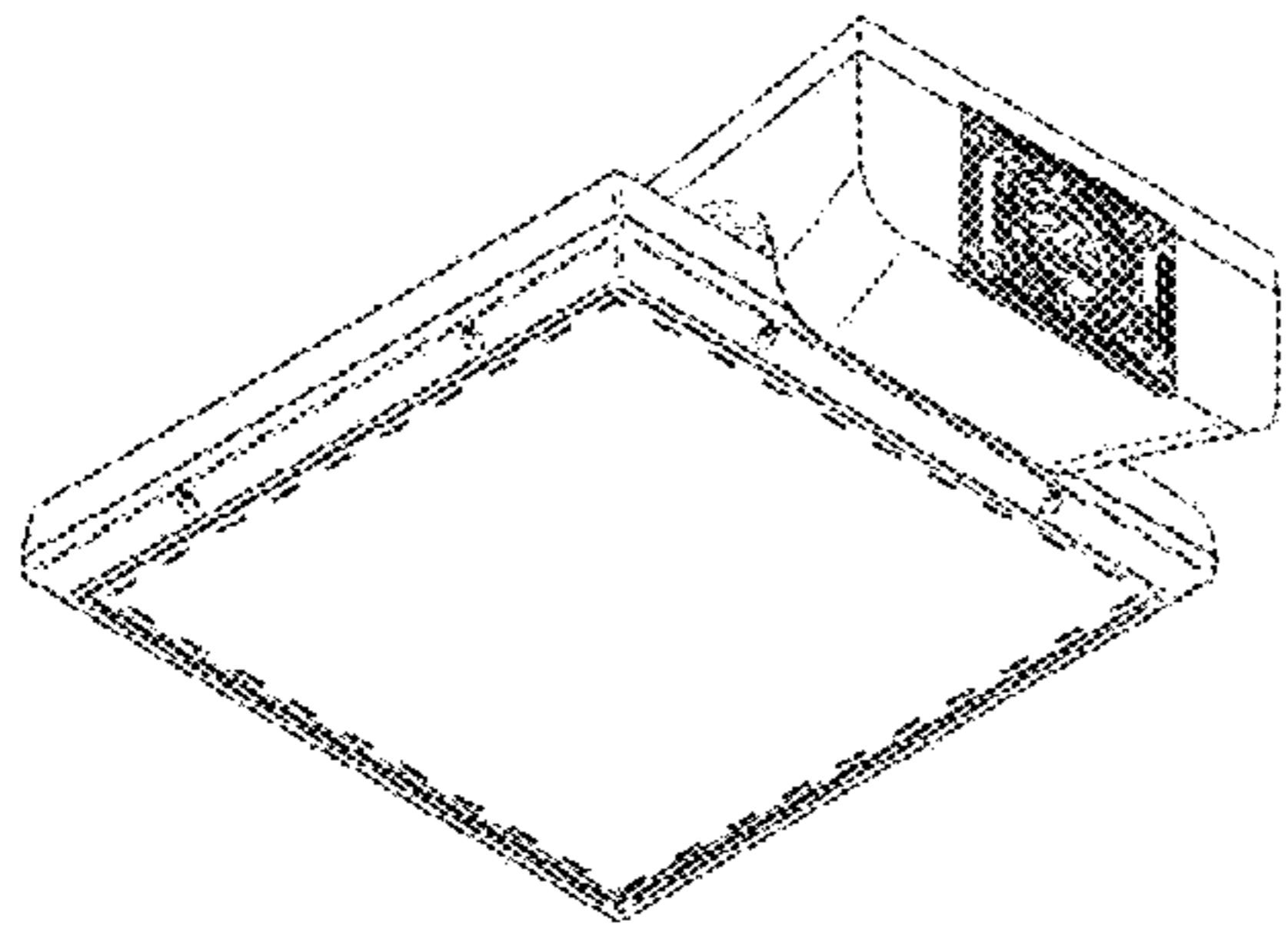


FIG. 23

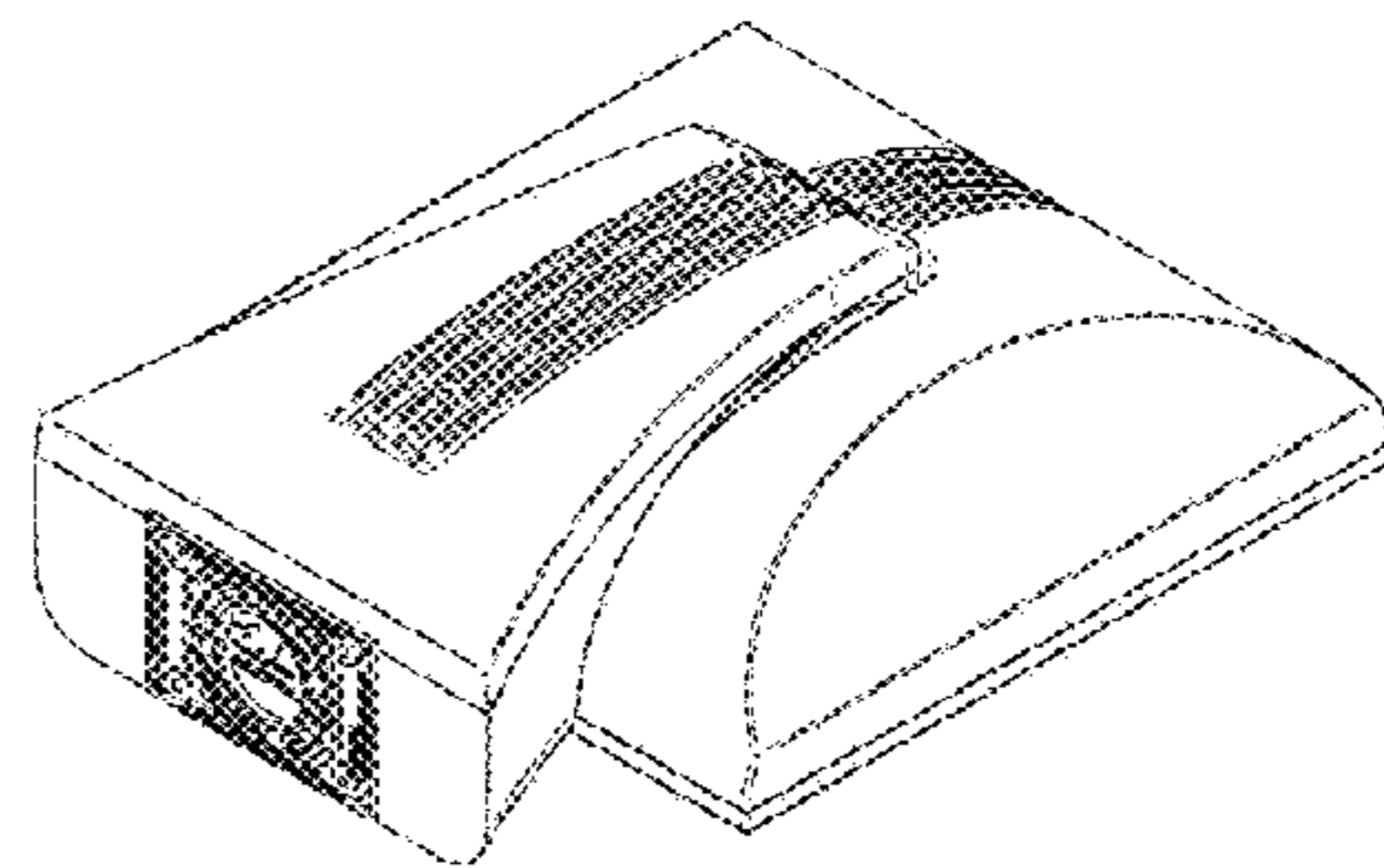


FIG. 24



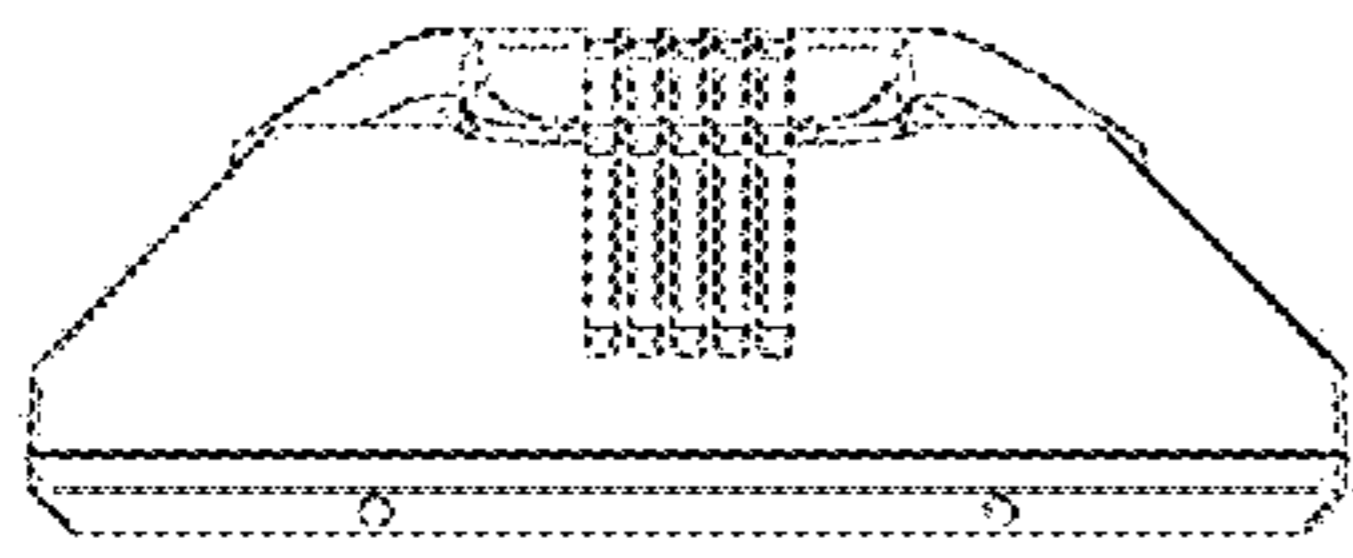


FIG. 25

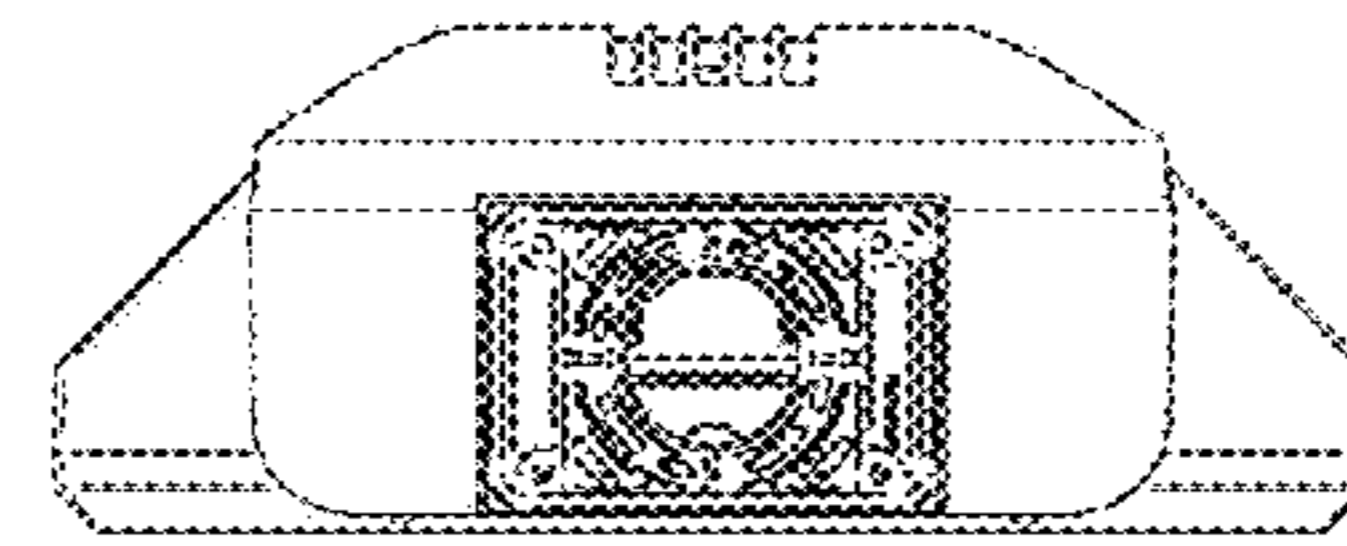


FIG. 26

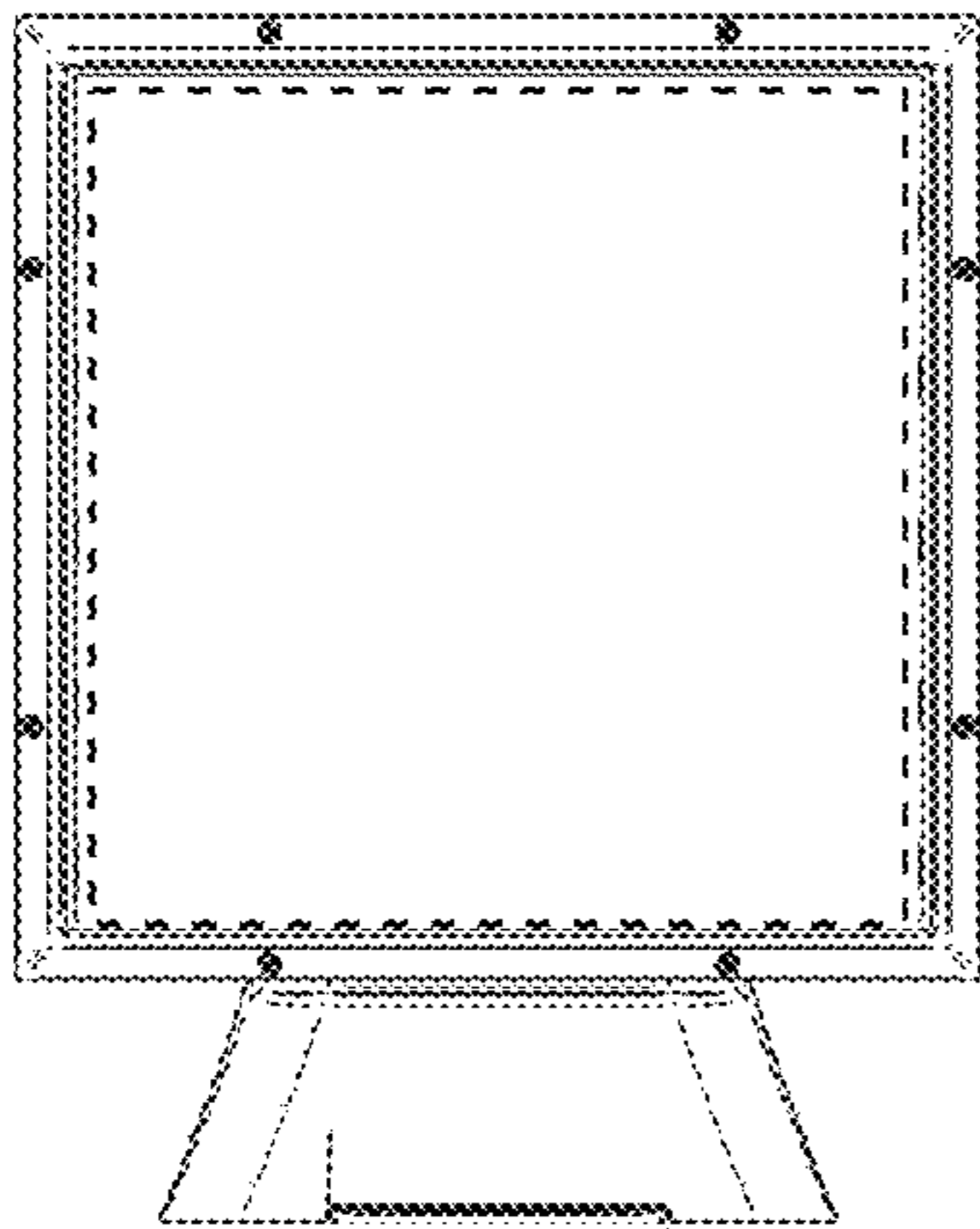


FIG. 27

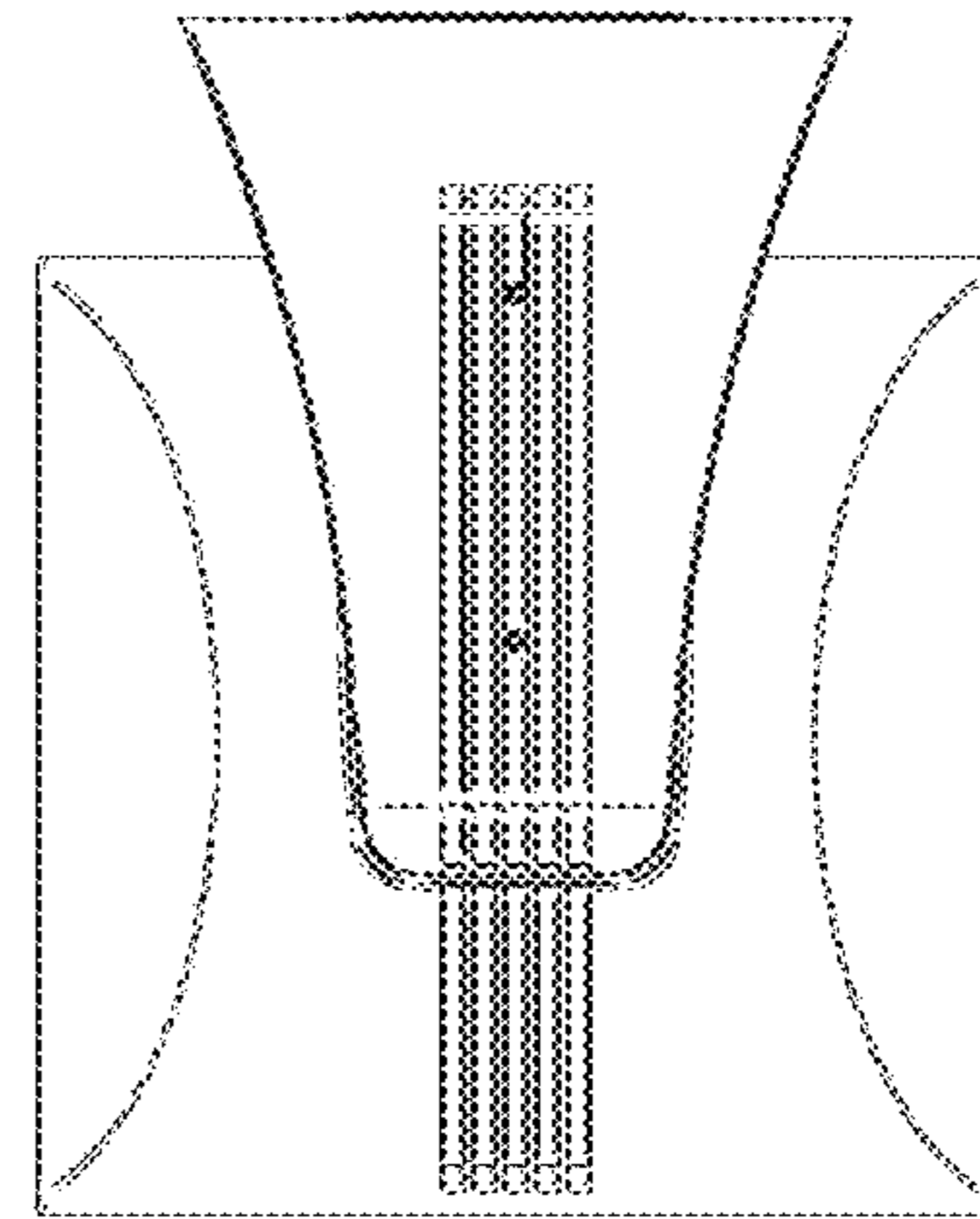


FIG. 28

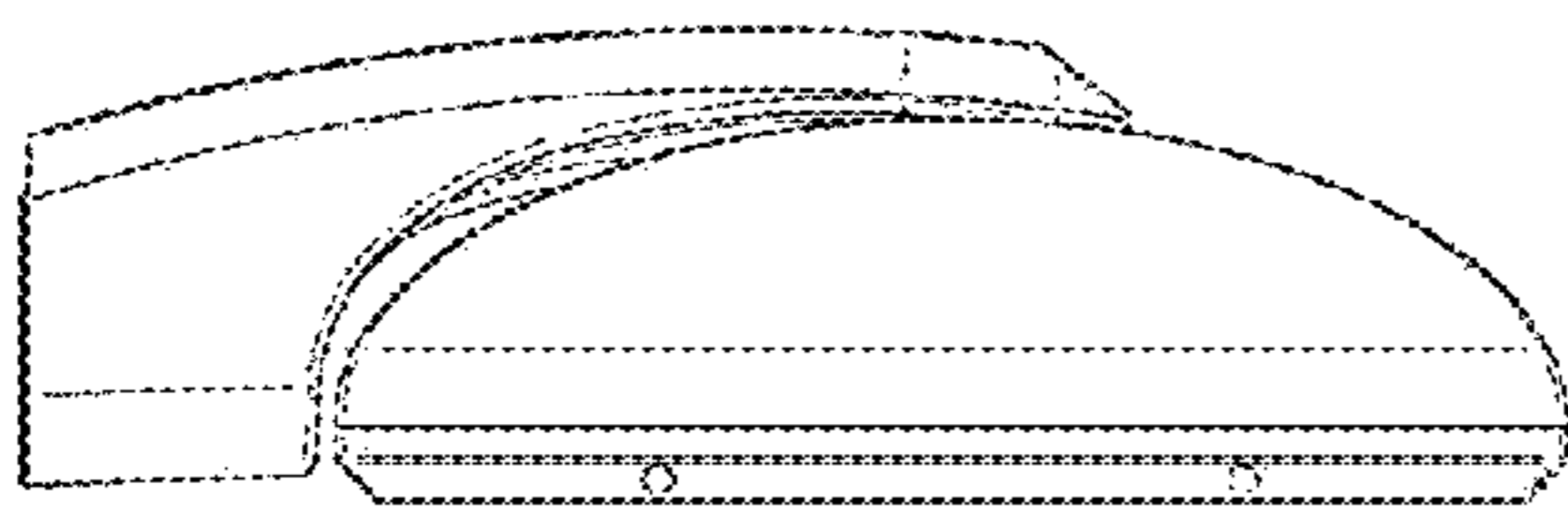


FIG. 29

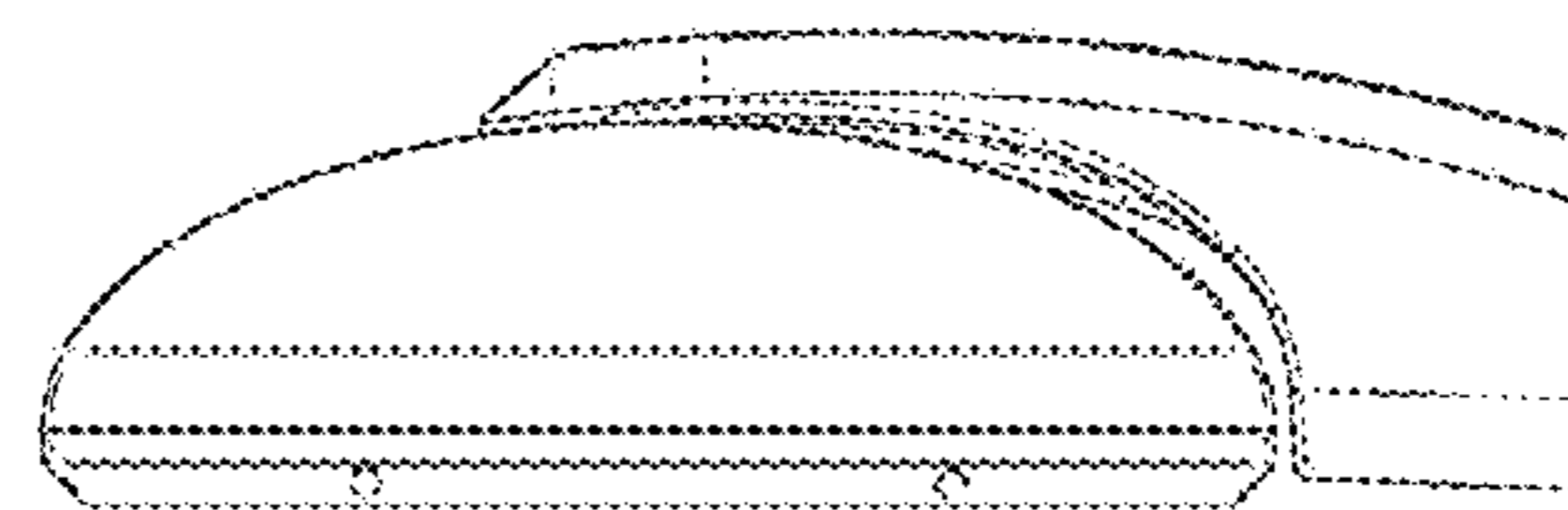


FIG. 30