



US00D780980S

(12) **United States Design Patent** (10) **Patent No.:** **US D780,980 S**
Starck (45) **Date of Patent:** **** Mar. 7, 2017**

(54) **CEILING LAMP**

(71) Applicant: **FLOS S.P.A.**, Bovezzo (IT)
(72) Inventor: **Philippe Starck**, Brescia (IT)
(73) Assignee: **FLOS S.p.A.**, Bovezzo (Brescia) (IT)
(**) Term: **15 Years**

(21) Appl. No.: **35/500,423**

(22) Filed: **Oct. 5, 2015**

(80) **Hague Agreement Data**

Int. Filing Date: **Oct. 5, 2015**
Int. Reg. No.: **DM/088640**
Int. Reg. Date: **Oct. 5, 2015**
Int. Reg. Pub. Date: **Dec. 25, 2015**

(30) **Foreign Application Priority Data**

Apr. 7, 2015 (IT) BS2015O000015

(51) **LOC (10) Cl.** **26-03**

(52) **U.S. Cl.**
USPC **D26/89**

(58) **Field of Classification Search**
USPC D26/72, 89, 92, 118, 128-137, 152
CPC F21S 6/00; F21S 6/002; F21V 21/00;
F21V 21/02; F21V 23/04; F21W 2121/00;
F21W 2131/20; F21W 2131/30; F41C
27/00
See application file for complete search history.

(56) **References Cited**

U.S. PATENT DOCUMENTS

D707,877 S *	6/2014	Turner	D26/118
D736,986 S *	8/2015	Hadrath	D26/118
D750,314 S *	2/2016	Hobson	D26/118
D751,246 S *	3/2016	Yao	D26/118
D761,484 S *	7/2016	Laukkanen	D26/118
D763,499 S *	8/2016	Lee	D26/118

* cited by examiner

Primary Examiner — Zenia Bennett

(74) *Attorney, Agent, or Firm* — Thomas | Horstemeyer, LLP

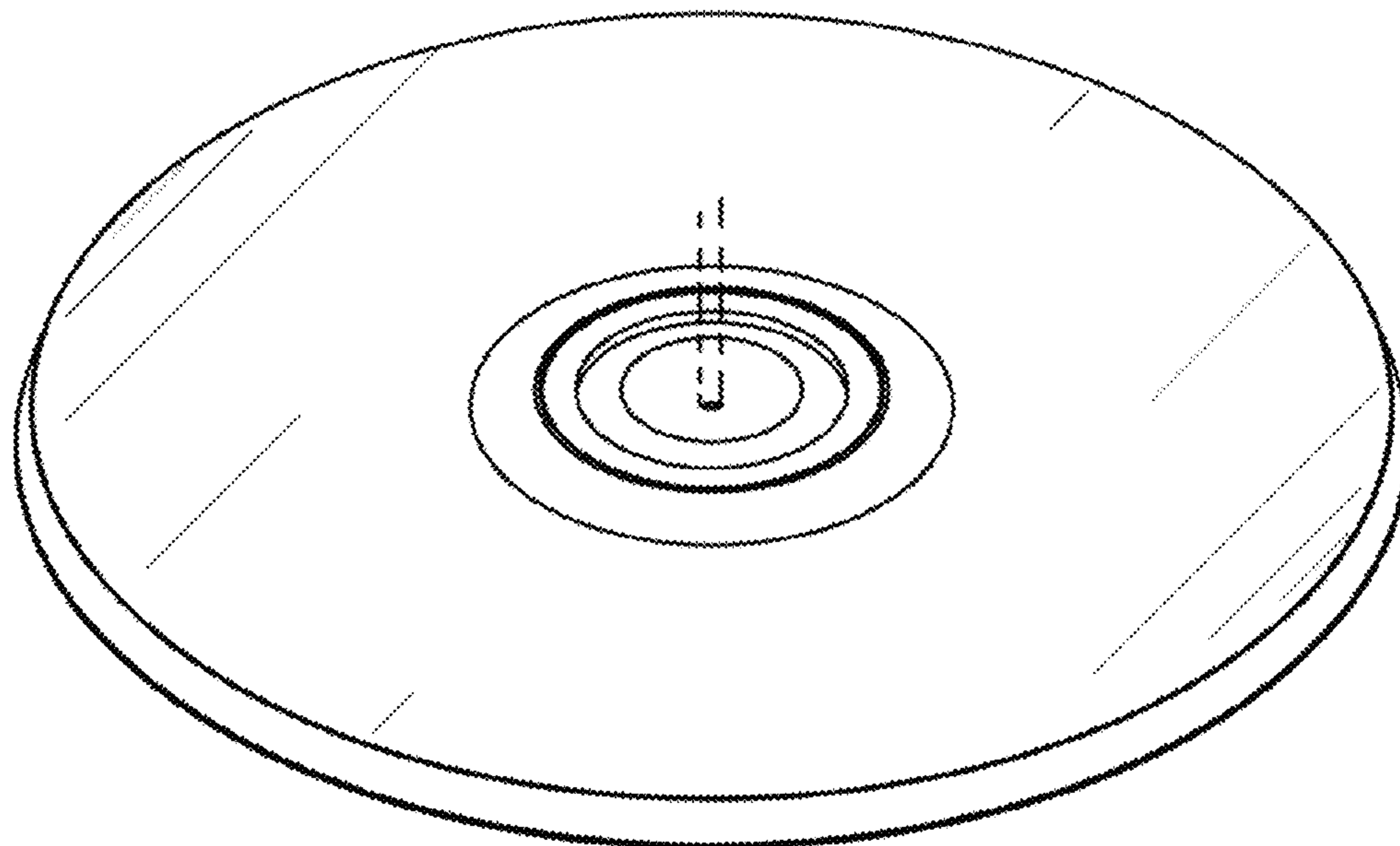
(57) **CLAIM**

The ornamental design for a ceiling lamp, as shown and described.

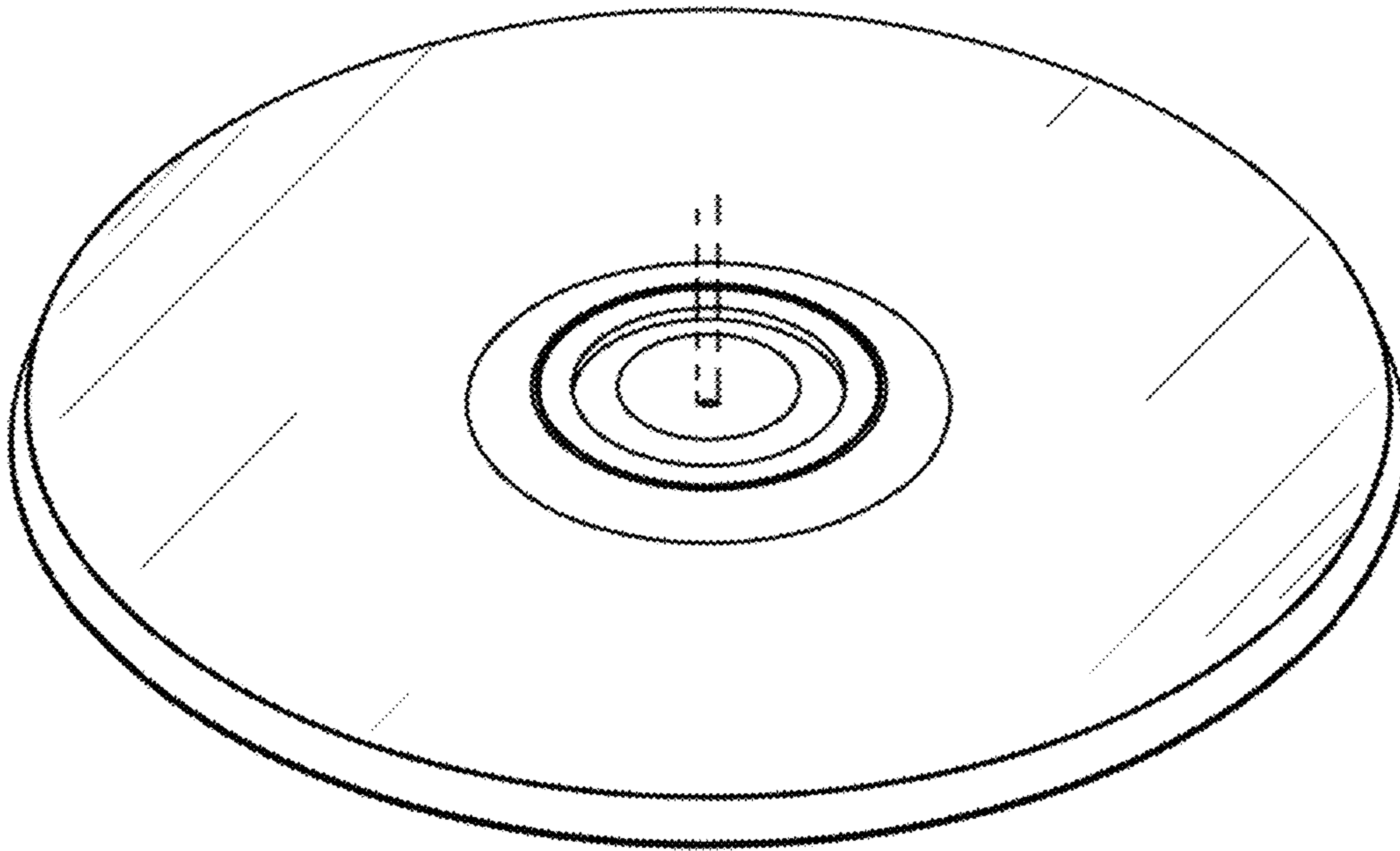
DESCRIPTION

FIG. 1.1 is a perspective view;
FIG. 1.2 is a bottom perspective view;
FIG. 1.3 is a right side elevation view;
FIG. 1.4 is a left side elevation view;
FIG. 1.5 is a top plan view;
FIG. 1.6 is a bottom plan view.
The broken lines in the drawing are for illustrative purposes only and form no part of the claimed design.
The model is a table lamp with a base having a rectangular shape and a shade having a spherical shape.

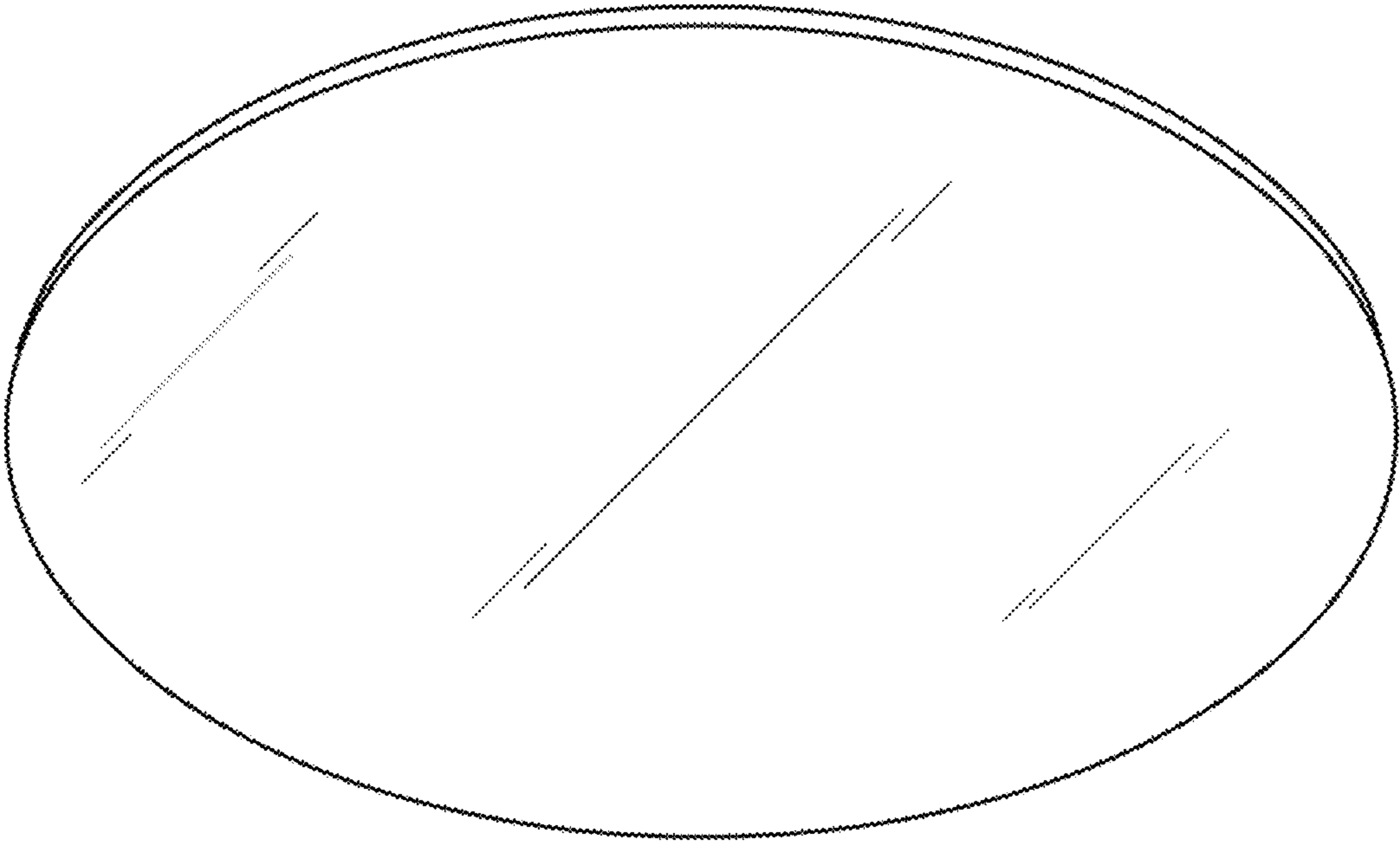
1 Claim, 6 Drawing Sheets



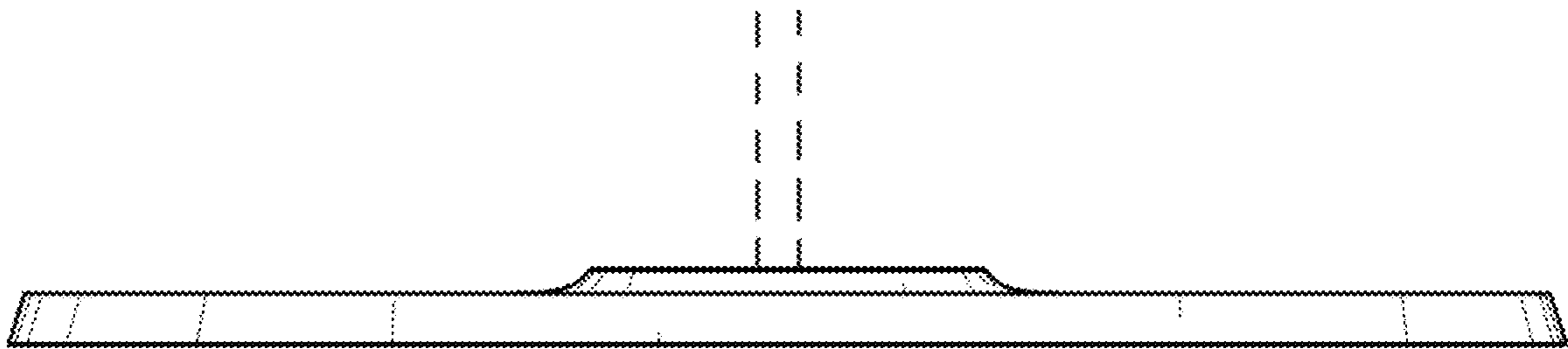
1.1



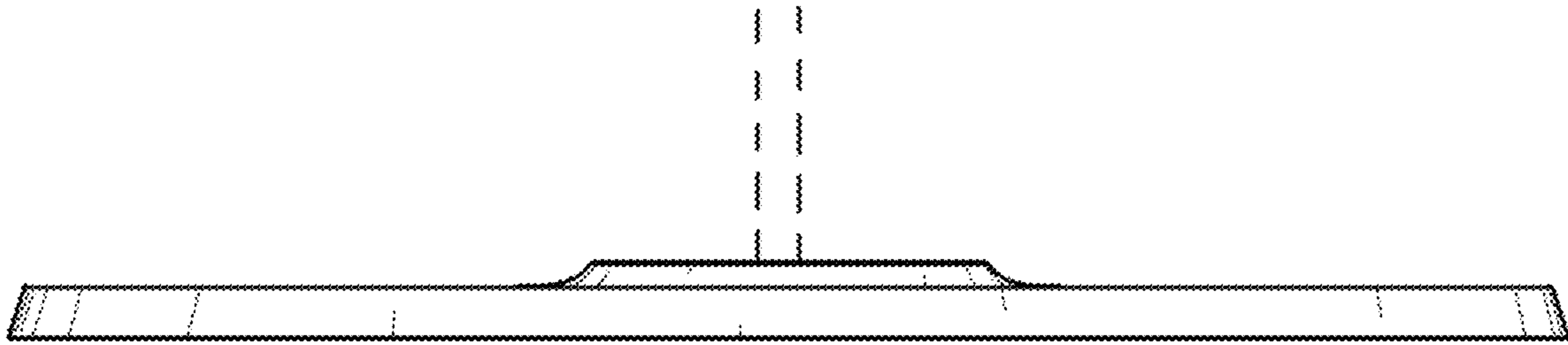
1.2



1.3



1.4



1.5



1.6

