



US00D780979S

(12) **United States Design Patent** (10) **Patent No.:** **US D780,979 S**
Urquiola (45) **Date of Patent:** **** Mar. 7, 2017**

(54) **CEILING LAMP**

(71) Applicant: **FLOS S.P.A.**, Bovezzo (Brescia) (IT)

(72) Inventor: **Patricia Urquiola**, Brescia (IT)

(73) Assignee: **FLOS S.p.A.**, Bovezzo (Brescia) (IT)

(**) Term: **15 Years**

(21) Appl. No.: **35/500,411**

(22) Filed: **Oct. 2, 2015**

(80) **Hague Agreement Data**

Int. Filing Date: **Oct. 2, 2015**

Int. Reg. No.: **DM/088628**

Int. Reg. Date: **Oct. 2, 2015**

Int. Reg. Pub. Date: **Dec. 25, 2015**

(30) **Foreign Application Priority Data**

Apr. 7, 2015 (IT) BS2015O000016

(51) **LOC (10) Cl.** **26-03**

(52) **U.S. Cl.**
USPC **D26/88**

(58) **Field of Classification Search**

USPC .. D26/72, 73, 81, 84, 88, 90, 118, 127-137;
362/147, 404-408, 351, 360, 361

CPC F21S 8/03; F21S 8/033; F21S 8/036; F21S
8/04; F21S 8/043; F21S 8/046; F21S
8/06; F21S 8/061; F21S 8/063; F21S
8/065; F21V 1/04; F21V 1/06; F21V
3/02; F21V 3/023; F21V 5/06

See application file for complete search history.

(56) **References Cited**

U.S. PATENT DOCUMENTS

6,227,687	B1 *	5/2001	Kahwaji	F21S 6/005 362/248
D635,709	S *	4/2011	Federico	D26/84
D675,774	S *	2/2013	Stathis	D26/120
D675,775	S *	2/2013	Stathis	D26/120
D690,873	S *	10/2013	Meise	D26/88
D700,989	S *	3/2014	Rampolla	D26/88
D719,697	S *	12/2014	Wanders	D26/81

* cited by examiner

Primary Examiner — Zenia Bennett

(74) *Attorney, Agent, or Firm* — Thomas | Horstemeyer, LLP

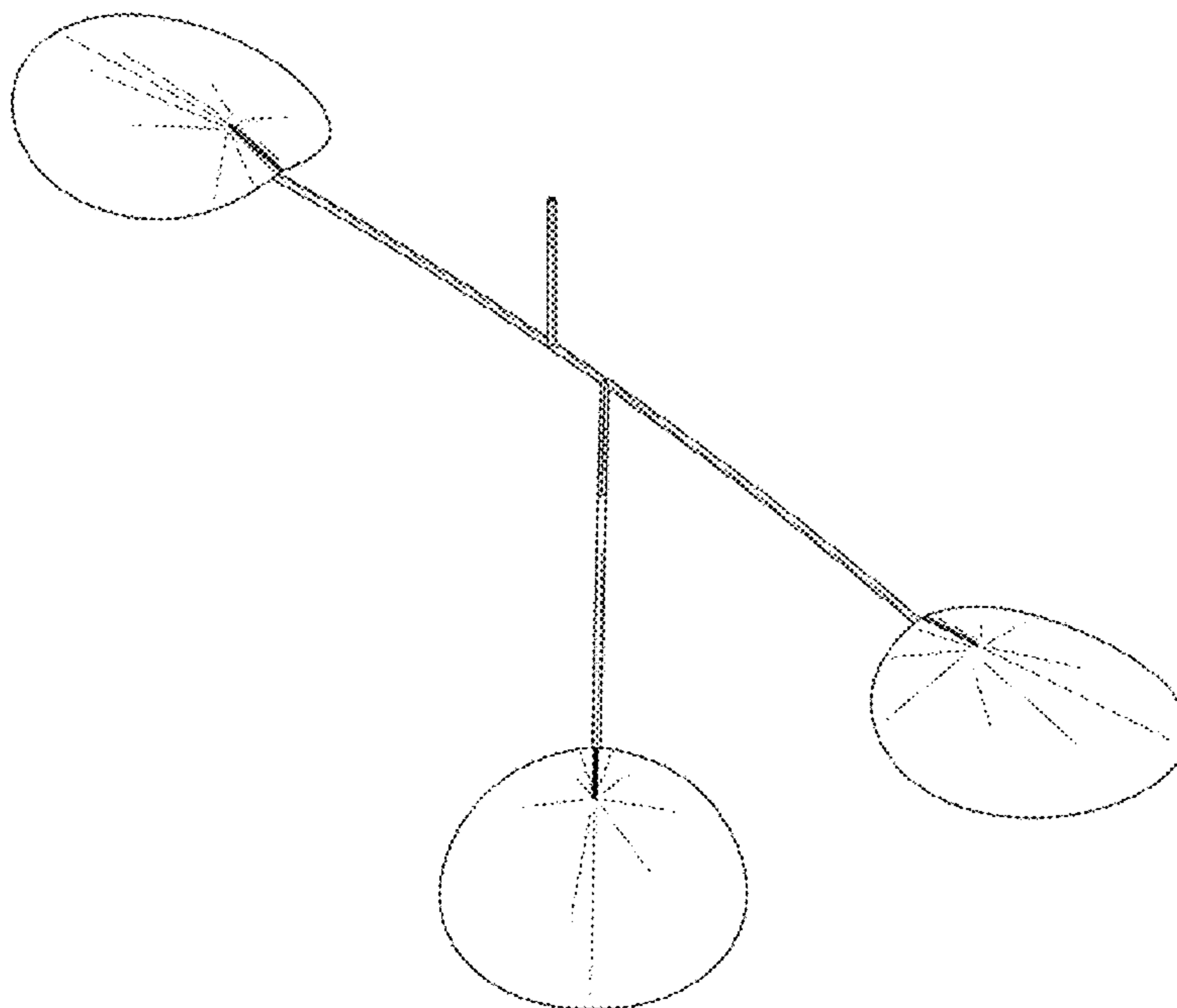
(57) **CLAIM**

The ornamental design for a ceiling lamp, as shown and described.

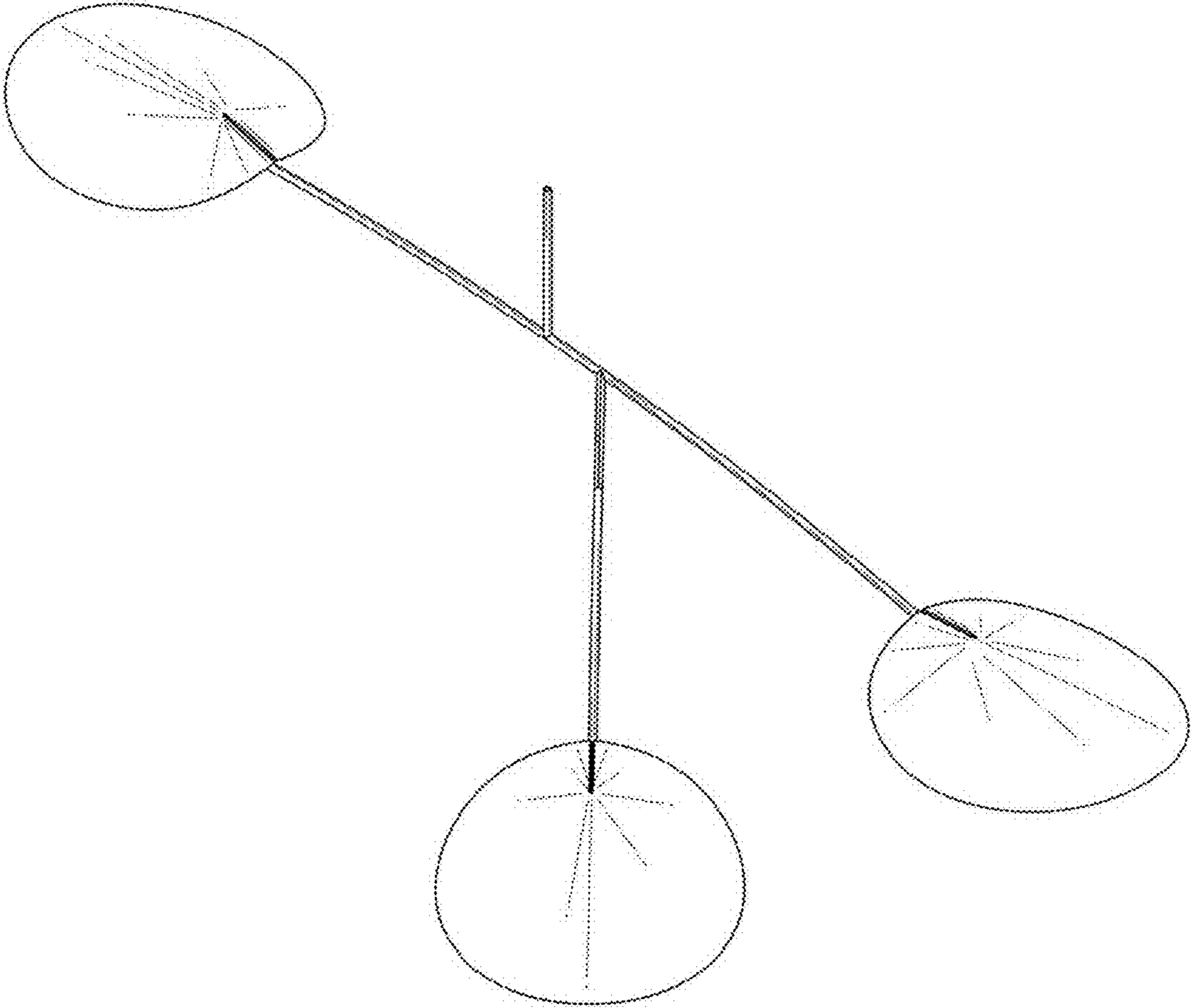
DESCRIPTION

FIG. 1.1 is a perspective view;
FIG. 1.2 is a bottom perspective view;
FIG. 1.3 is a right side elevation view;
FIG. 1.4 is a left side elevation view;
FIG. 1.5 is a top elevation view;
FIG. 1.6 is a bottom elevation view;
FIG. 1.7 is a front plan view;
FIG. 1.8 is a rear plan view.
The model is a table lamp with a base having a rectangular shape and a shade having a spherical shape.

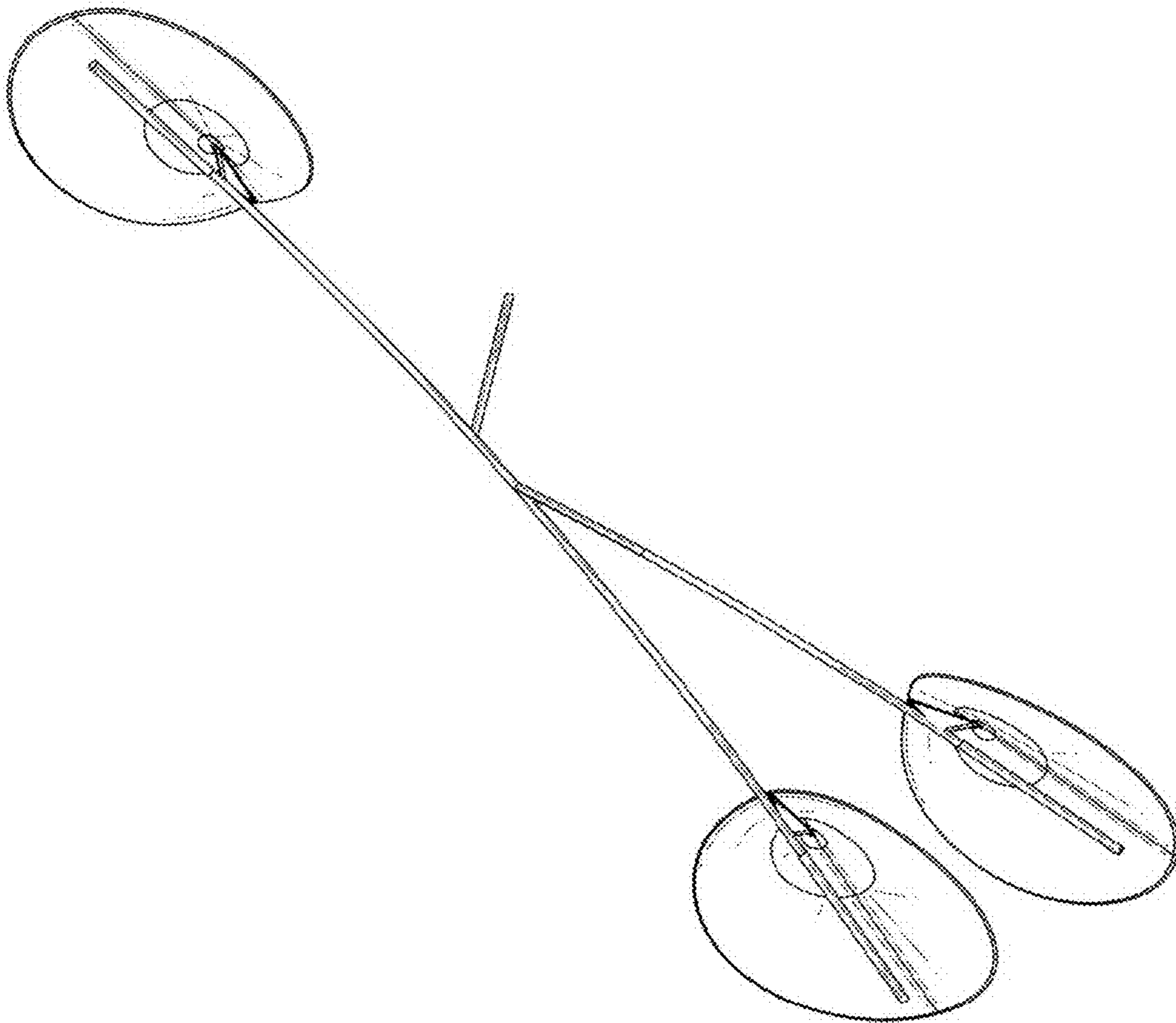
1 Claim, 8 Drawing Sheets



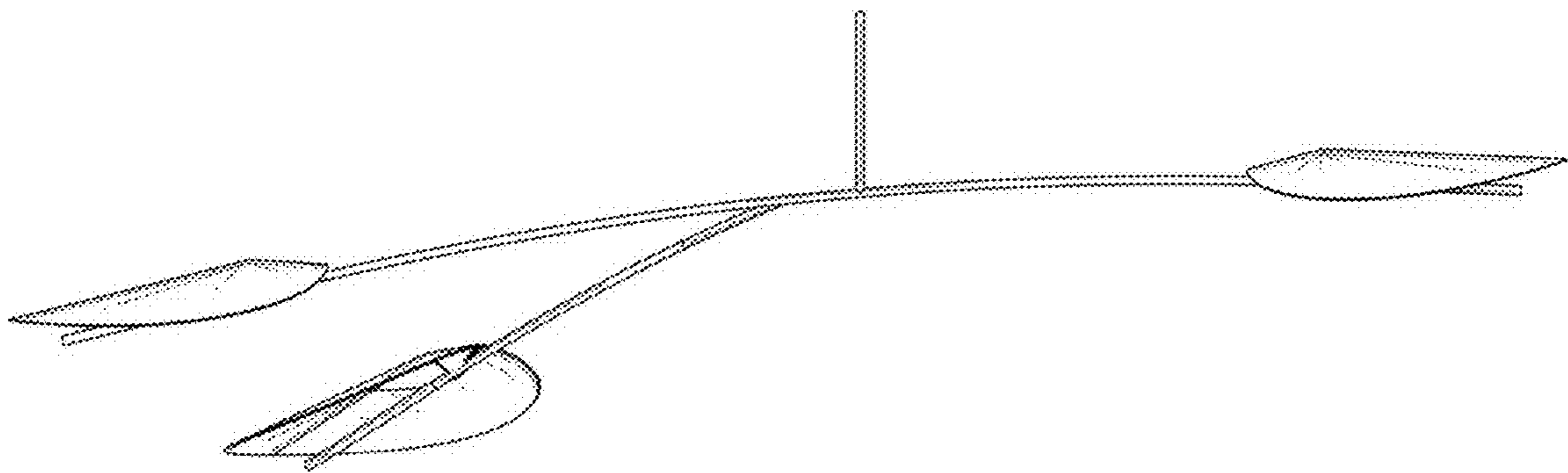
1.1



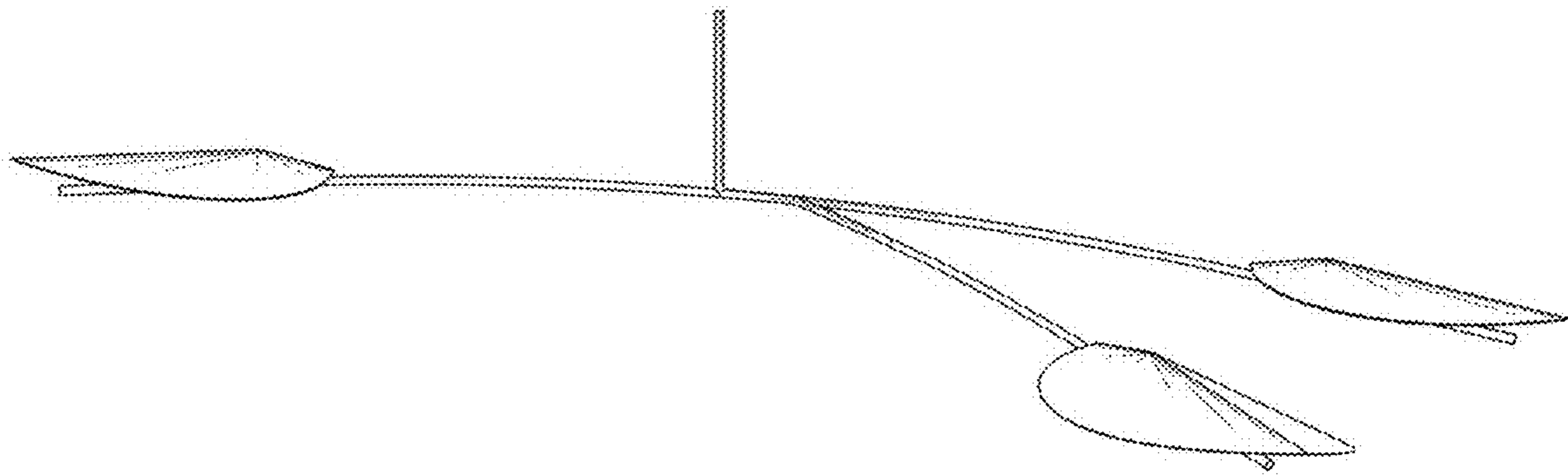
1.2



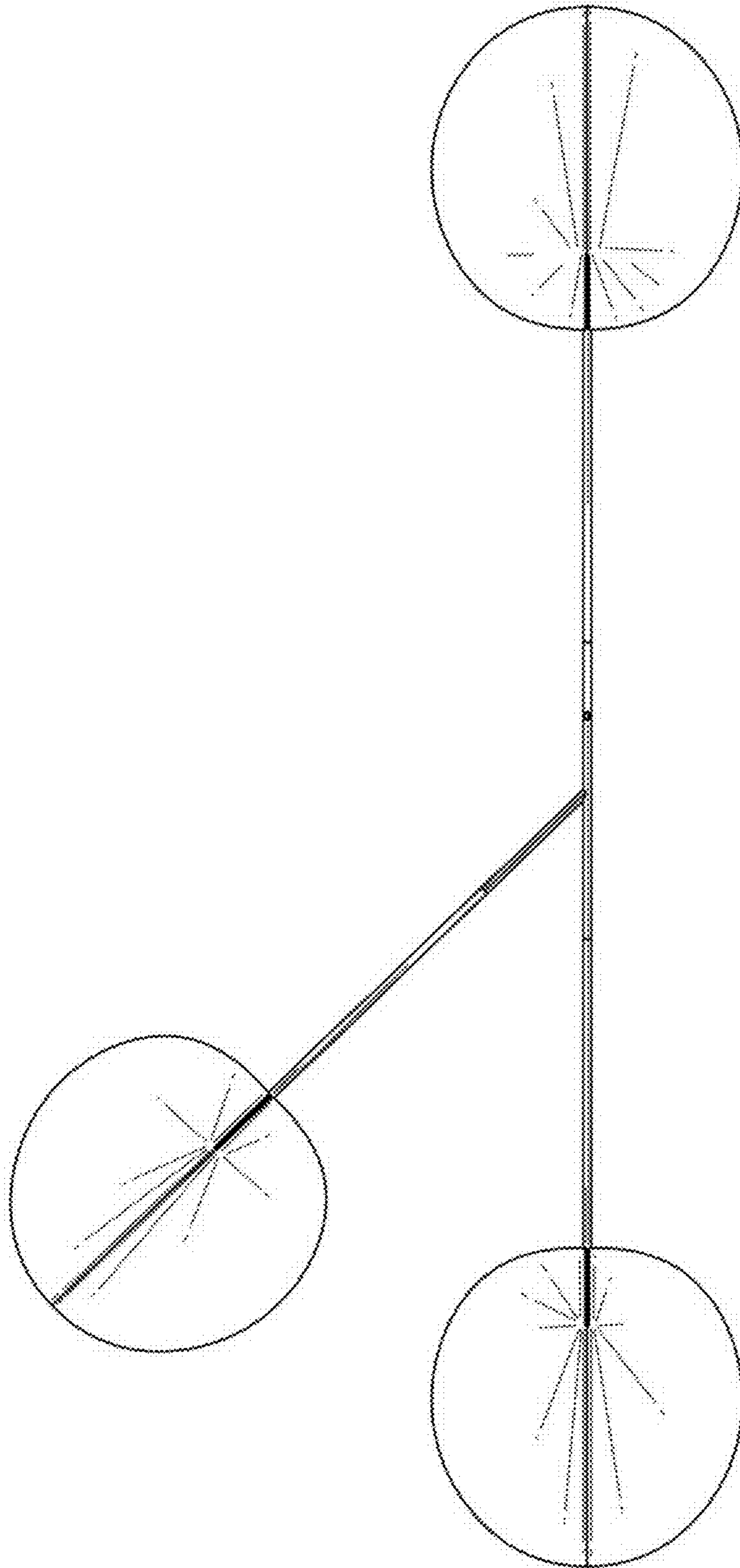
1.3



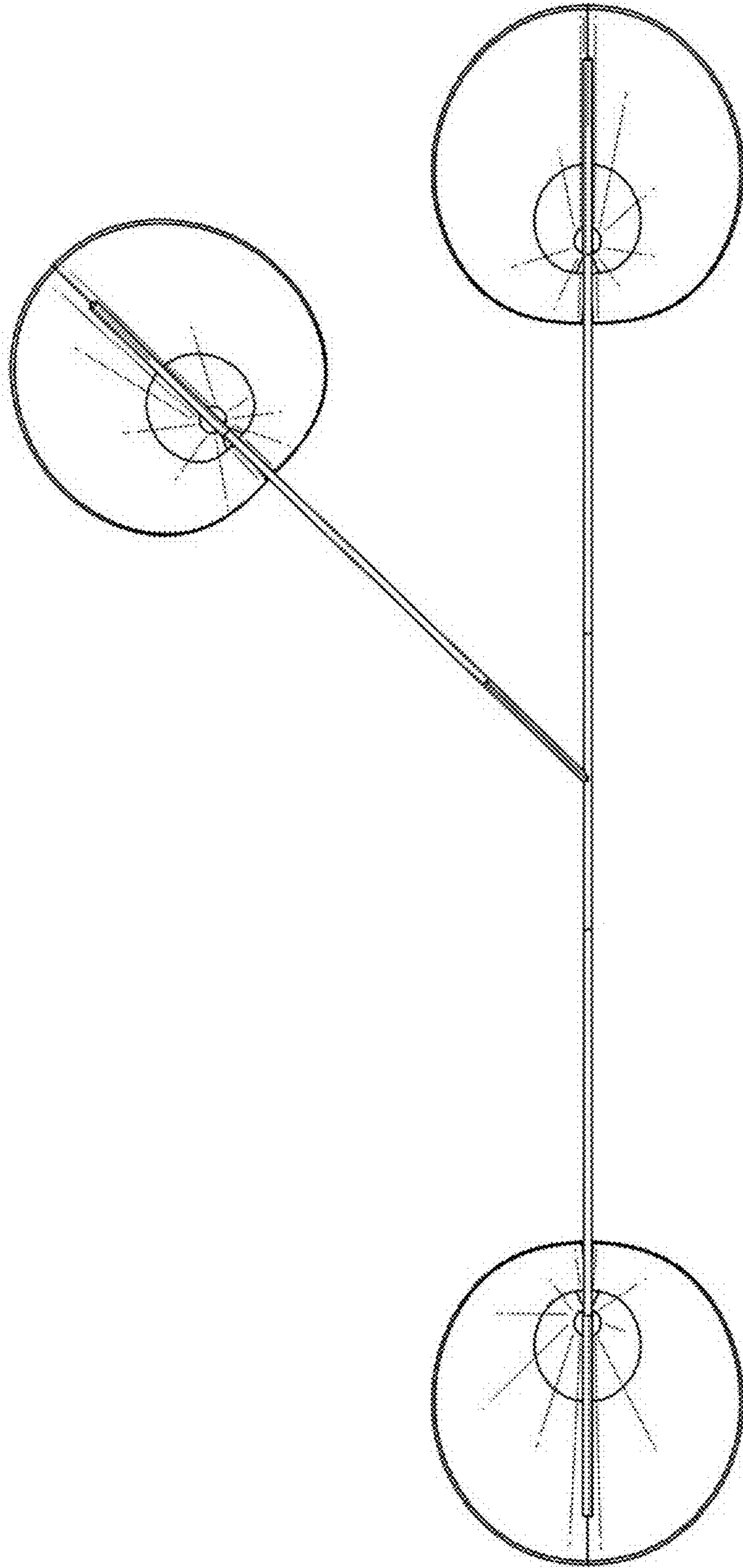
1.4



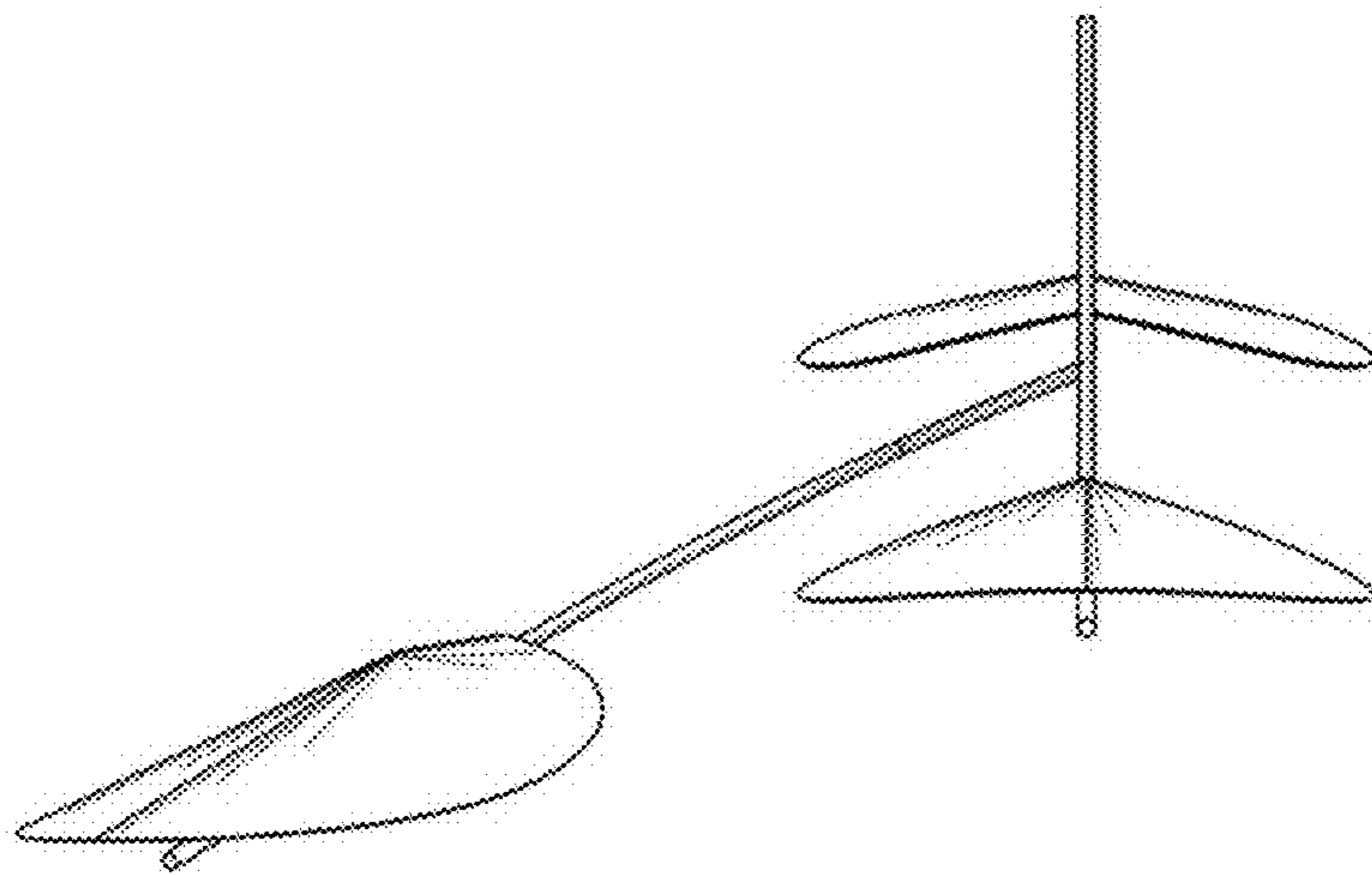
1.5



1.6



1.7



1.8

