



US00D780977S

(12) **United States Design Patent**  
**Clark**

(10) **Patent No.:** **US D780,977 S**

(45) **Date of Patent:** **\*\* Mar. 7, 2017**

(54) **LIGHT FIXTURE**

(71) Applicant: **Quoizel, Inc.**, Goose Creek, SC (US)

(72) Inventor: **Ed Clark**, Mount Pleasant, SC (US)

(73) Assignee: **Quoizel, Inc.**, Goose Creek, SC (US)

(\*\*) Term: **15 Years**

(21) Appl. No.: **29/551,447**

(22) Filed: **Jan. 13, 2016**

(51) **LOC (10) Cl.** ..... **26-03**

(52) **U.S. Cl.**  
USPC ..... **D26/86; D26/87**

(58) **Field of Classification Search**  
USPC ..... D26/72, 85, 86, 87, 118, 120, 141, 155  
CPC .... F21S 8/03; F21S 8/035; F21S 8/036; F21S  
8/037; F21V 1/146; F21V 3/0409; F21V  
7/043; F21V 7/05; F21V 7/06  
See application file for complete search history.

(56) **References Cited**

**U.S. PATENT DOCUMENTS**

D42,580 S *	6/1912	Hotchkin	.....	D26/144
D389,592 S *	1/1998	Reiser	.....	D26/36
D391,662 S *	3/1998	Miranda	.....	D26/87
D453,048 S *	1/2002	Orozco	.....	D26/87
D481,150 S *	10/2003	Lee	.....	D26/81
D514,245 S *	1/2006	Miranda	.....	D26/86
D535,428 S *	1/2007	Flores	.....	D26/86
D536,123 S *	1/2007	Miranda	.....	D26/87
D605,331 S *	12/2009	Miranda	.....	D26/87
D613,896 S *	4/2010	Chandler	.....	D26/83
D686,770 S *	7/2013	Orozco	.....	D26/143
D716,996 S *	11/2014	Schuyler	.....	D26/145
D720,489 S *	12/2014	Fritz	.....	D26/86
D722,191 S *	2/2015	Sterling	.....	D26/143
D754,906 S *	4/2016	Smith	.....	D26/80

**OTHER PUBLICATIONS**

Eastlake—all models in collection shown on p. 253 of the Quoizel 2004 Catalog #CQ2004X. (2 pages, includes front cover of catalog).\*

Adano—all models in collection shown on p. 262 of the Quoizel 2004 Catalog #CQ2004X. (2 pages, includes rear cover of catalog).\*

\* cited by examiner

*Primary Examiner* — Clare E Heflin

(74) *Attorney, Agent, or Firm* — Nelson Mullins Riley & Scarborough, LLP

(57) **CLAIM**

The ornamental design for a light fixture, as shown and described.

**DESCRIPTION**

FIG. 1 is a perspective view of a light fixture embodying the design of the present invention.

FIG. 2 is a top view of the light fixture illustrated in FIG. 1. FIG. 3 is a bottom view of the light fixture illustrated in FIG. 1.

FIG. 4 is a front side elevational view of the light fixture illustrated in FIG. 1.

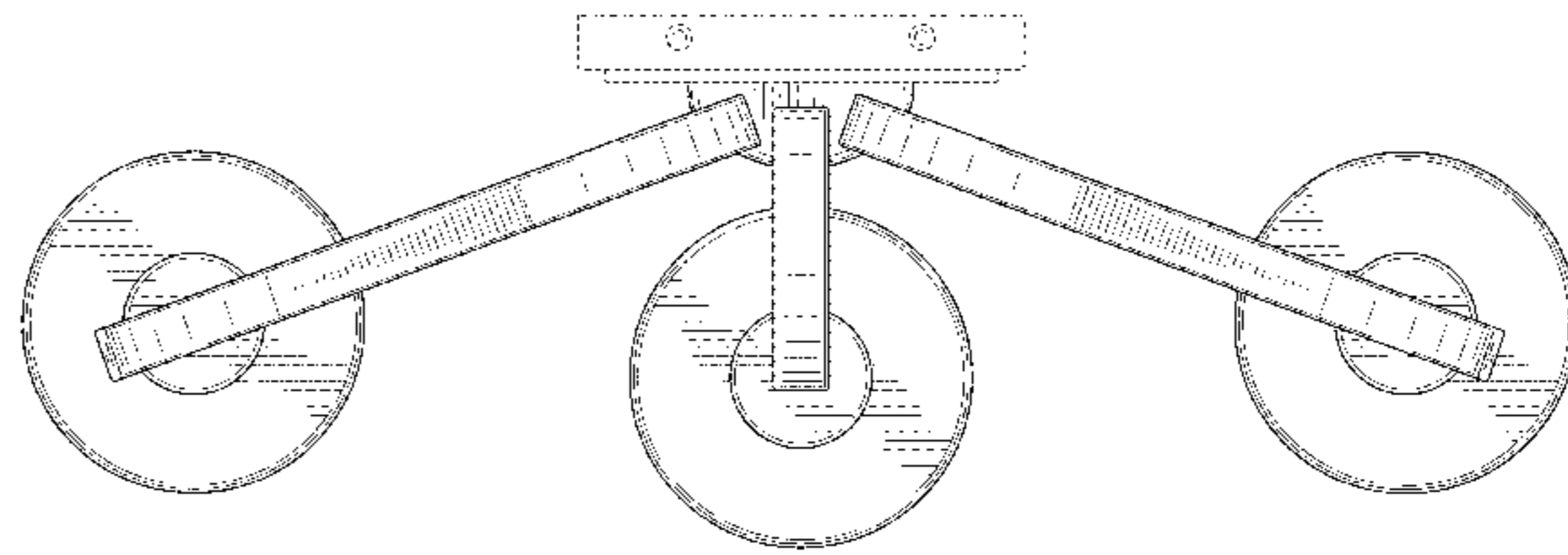
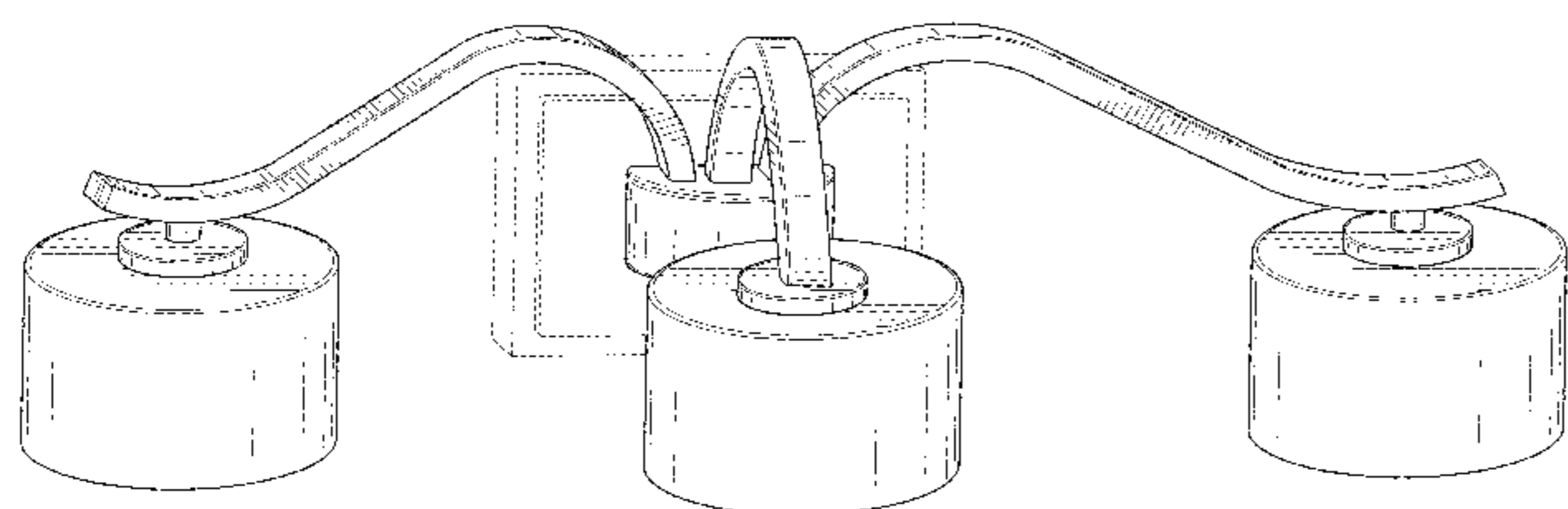
FIG. 5 is a back side elevational view of the light fixture illustrated in FIG. 1.

FIG. 6 is a right side elevational view of the light fixture illustrated in FIG. 1; and,

FIG. 7 is a left side elevational view of the light fixture illustrated in FIG. 1.

The portions shown in broken lines form no part of the claimed design.

**1 Claim, 6 Drawing Sheets**



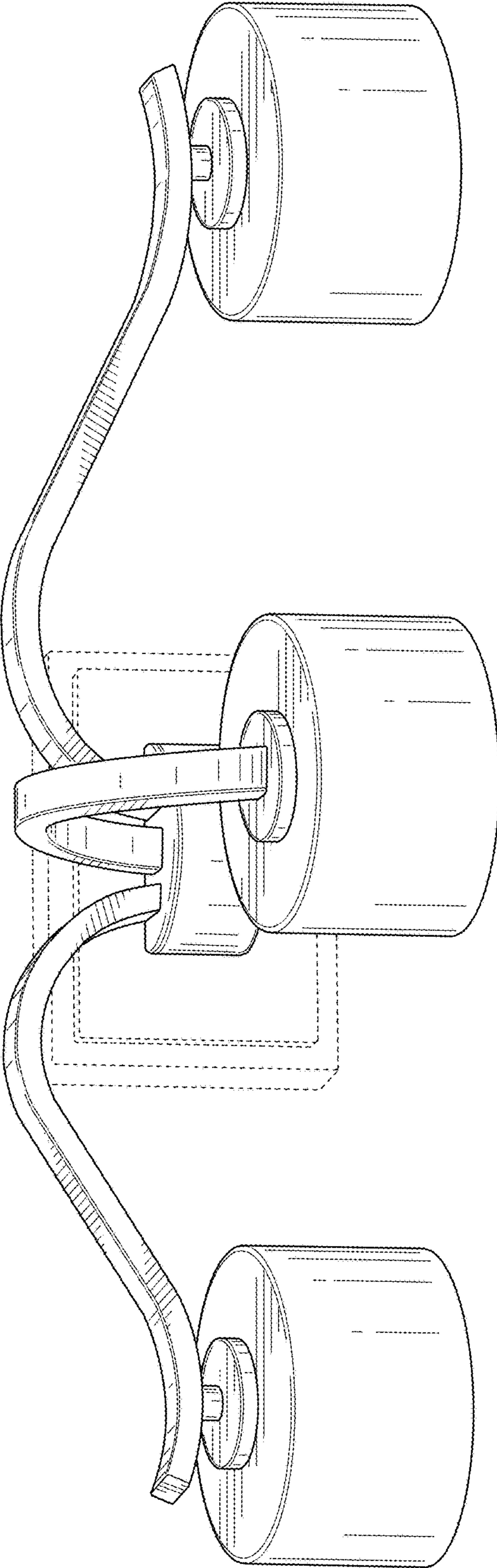


FIG. 1

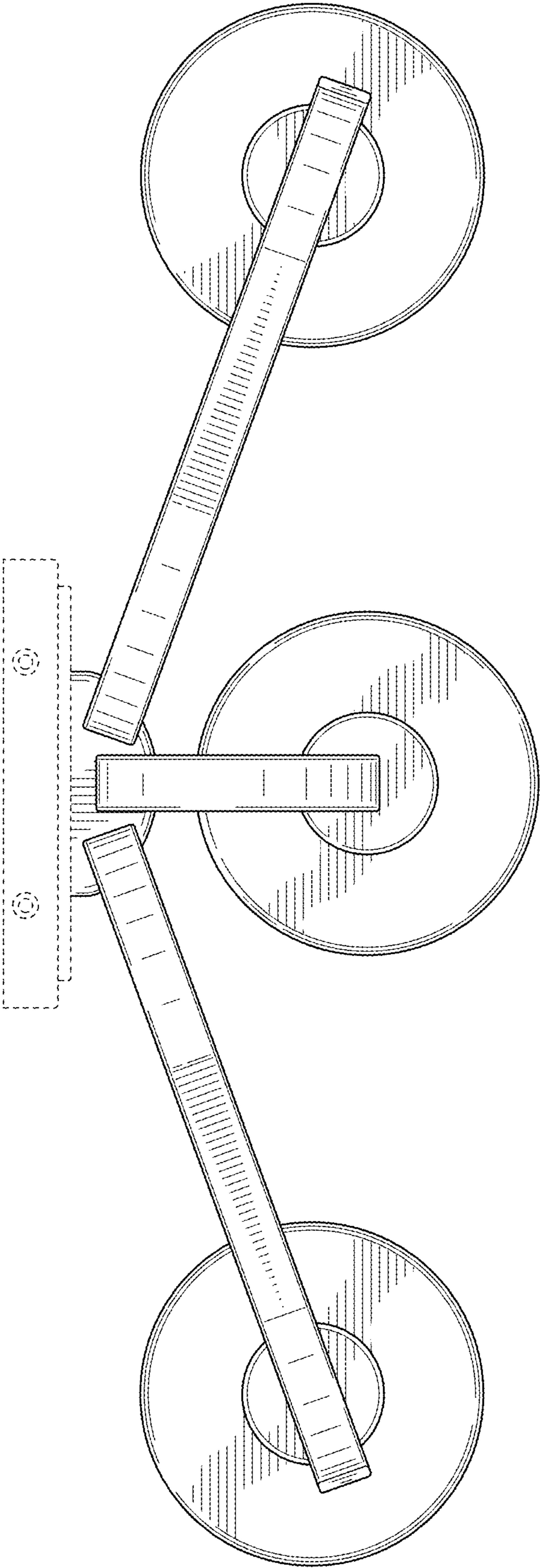


FIG. 2

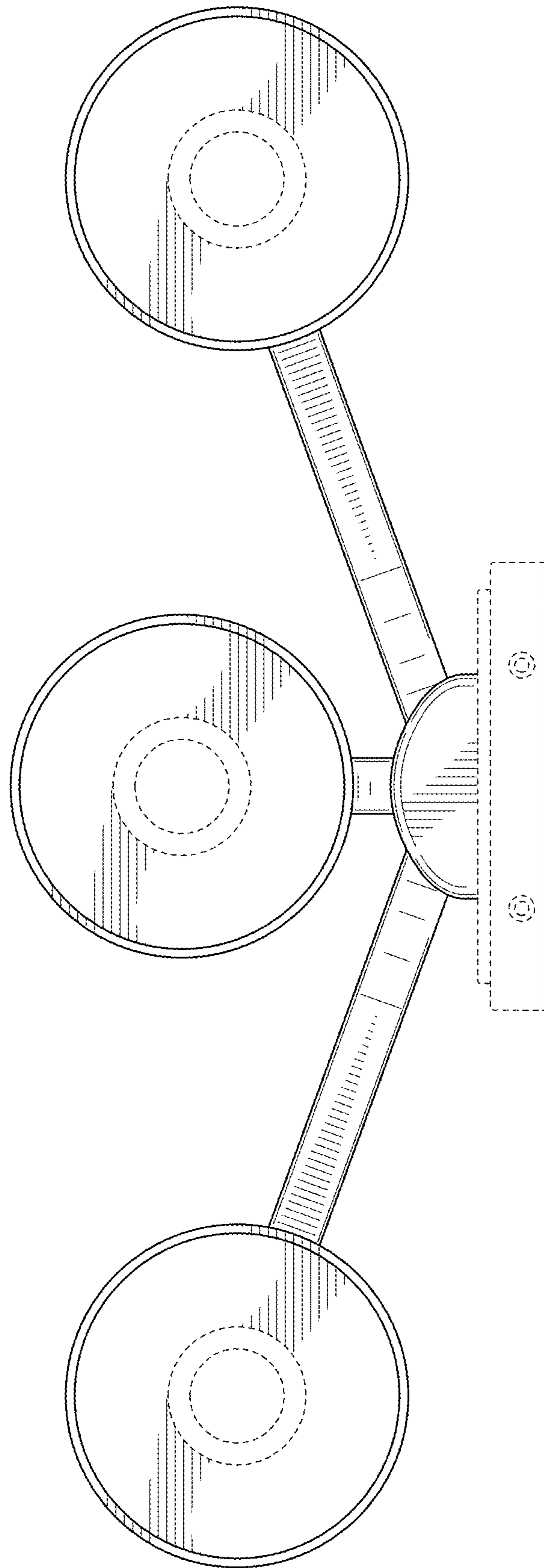


FIG. 3



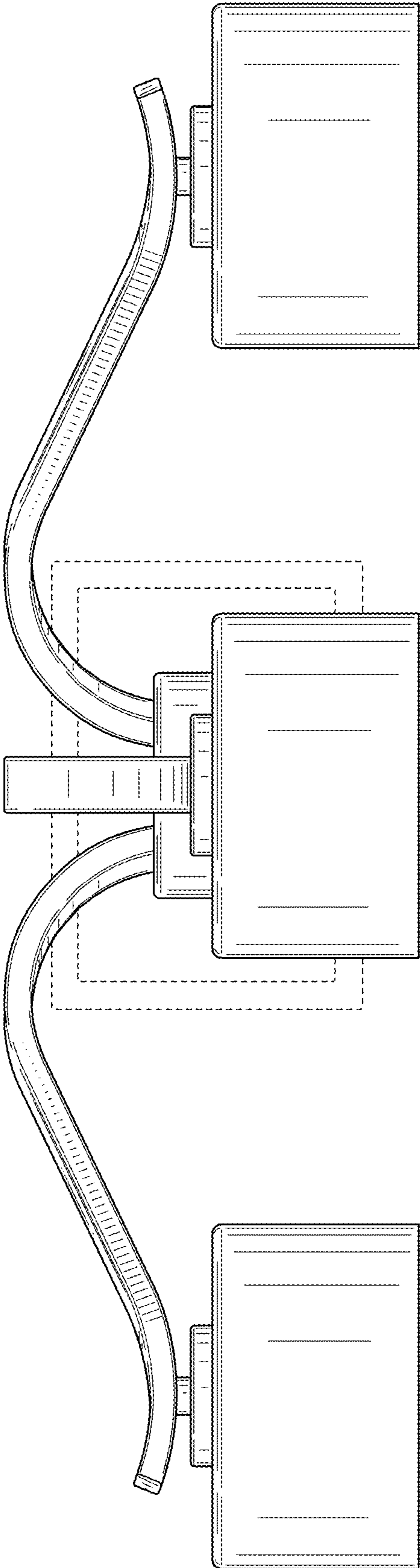


FIG. 4

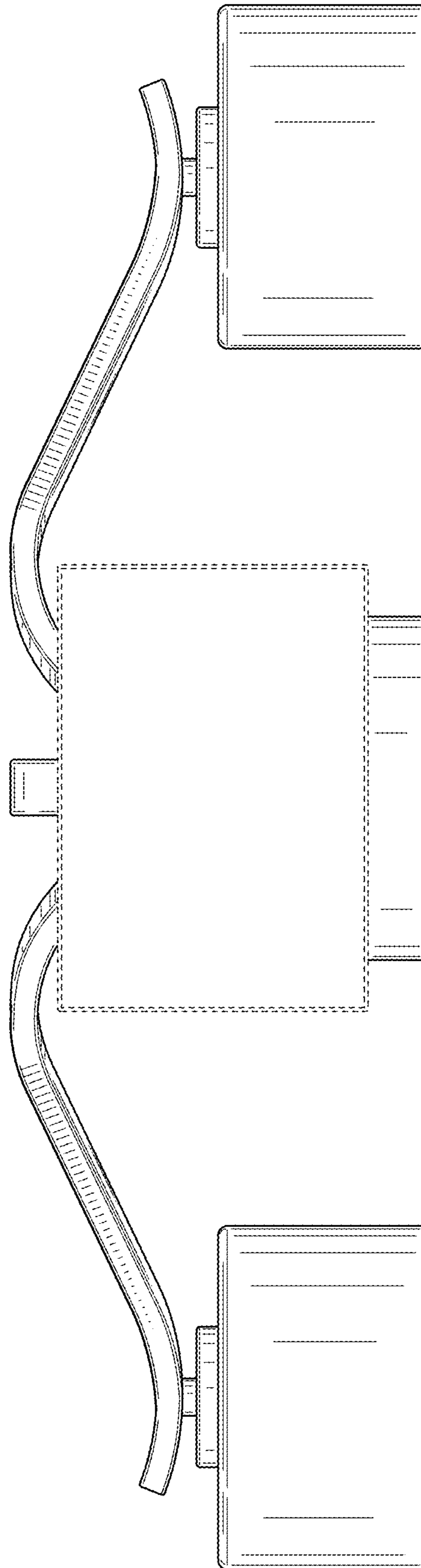


FIG. 5

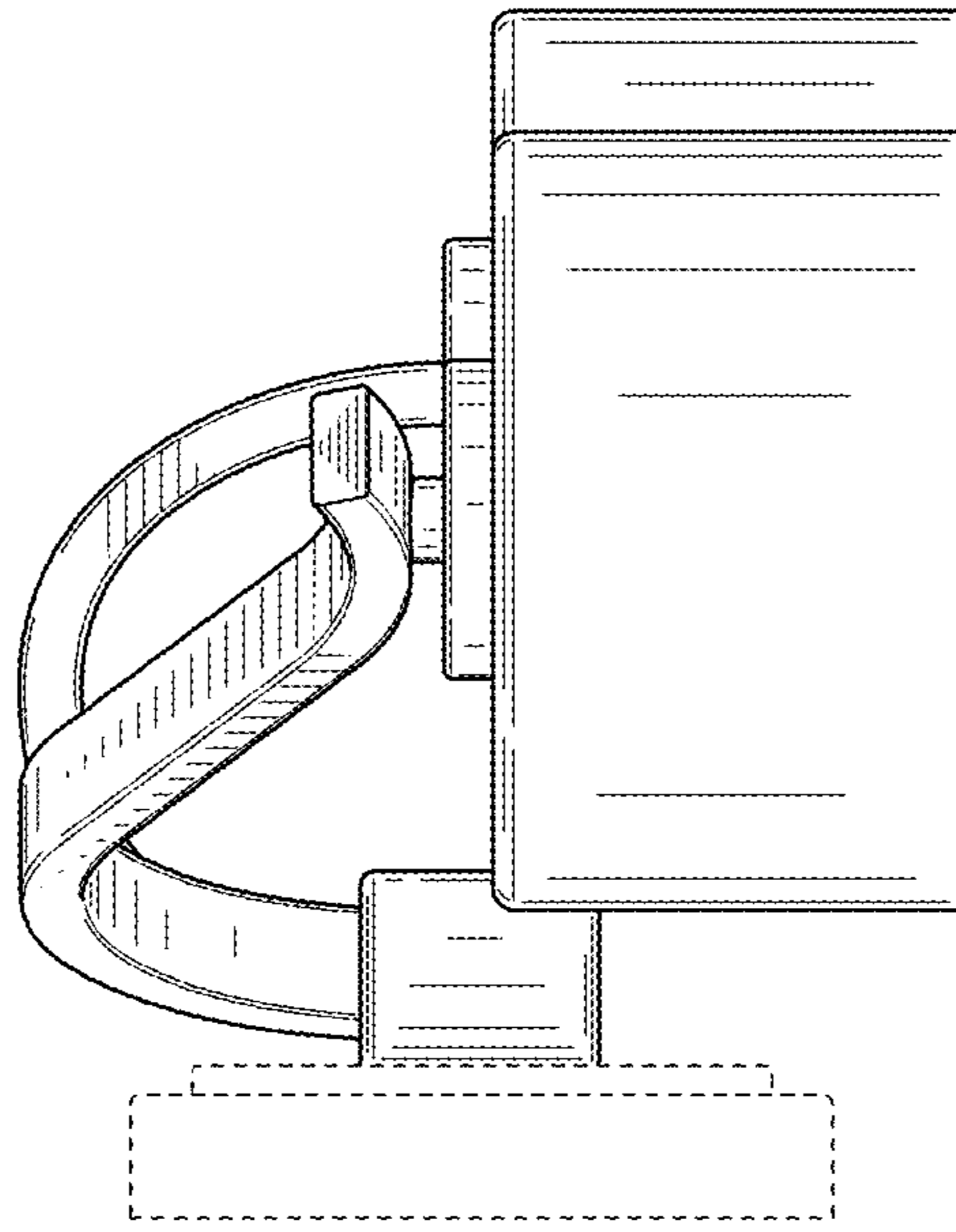


FIG. 7

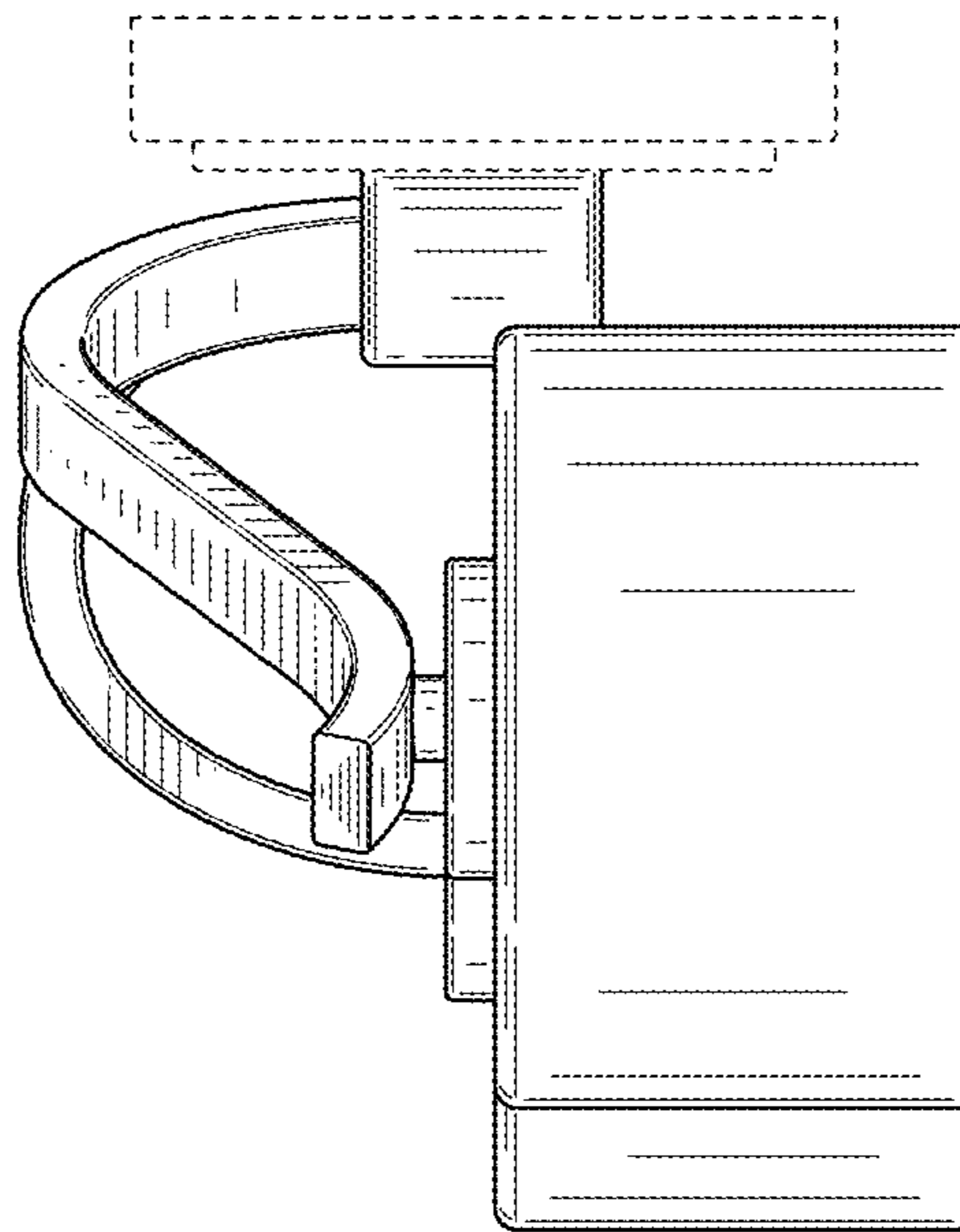


FIG. 6