



US00D780976S

(12) **United States Design Patent**
Czech et al.

(10) **Patent No.:** **US D780,976 S**
(45) **Date of Patent:** **** *Mar. 7, 2017**

(54) **LIGHT FIXTURE**

(71) Applicant: **Focal Point, LLC**, Chicago, IL (US)

(72) Inventors: **Ken Czech**, Naperville, IL (US);
Michael David SanFacon, Naperville,
IL (US); **Krutin S. Desai**, Chicago, IL
(US)

(73) Assignee: **Focal Point, LLC**, Chicago, IL (US)

(*) Notice: This patent is subject to a terminal disclaimer.

(**) Term: **15 Years**

(21) Appl. No.: **29/540,816**

(22) Filed: **Sep. 28, 2015**

(51) **LOC (10) Cl.** **26-99**

(52) **U.S. Cl.**
USPC **D26/78**

(58) **Field of Classification Search**
USPC D26/71, 72, 75, 76, 78, 79, 80, 81, 82,
D26/83, 85, 86, 88, 90, 113, 118, 119,
D26/120, 121, 122, 138
CPC F21S 2/00; F21S 4/00; F21S 4/003;
F21S 4/005; F21S 4/006; F21S
4/007; F21S 4/008; F21S 6/00; F21S
8/00; F21S 8/024; F21S 8/026; F21S
8/031; F21S 8/033; F21S
8/035-8/037; F21S 8/04; F21S
8/043; F21S 8/063
See application file for complete search history.

(56) **References Cited**

U.S. PATENT DOCUMENTS

D545,991 S *	7/2007	Mayfield, III	D26/118
D580,583 S *	11/2008	Pfund	D26/76
D597,241 S *	7/2009	Fabbri	D26/74
D608,930 S *	1/2010	Castelli	D26/76
D632,008 S *	2/2011	Kim	D26/120
D645,193 S *	9/2011	Chung	D26/75

D664,700 S *	7/2012	Ferguson	D26/76
D679,437 S *	4/2013	Watt	D26/74
D685,122 S *	6/2013	Kim	D26/74
D701,341 S *	3/2014	Mayfield, III	D26/74
D749,257 S *	2/2016	Arndt	D26/76
2013/0286637 A1 *	10/2013	Lay	F21K 9/17 362/147

OTHER PUBLICATIONS

Finelite, Inc., "E1-Indirect Configuration," Elements of Design E1 LED Indirect Brochure, Dec. 21, 2015, p. 2, published 2014.
Prudential Lighting Corporation, "Zenith In," Zenith Series Brochure, Dec. 21, 2015, p. 3, published 2015.

* cited by examiner

Primary Examiner — George D Kirschbaum

Assistant Examiner — Natasha Vujcic

(74) *Attorney, Agent, or Firm* — Banner & Witcoff, Ltd.

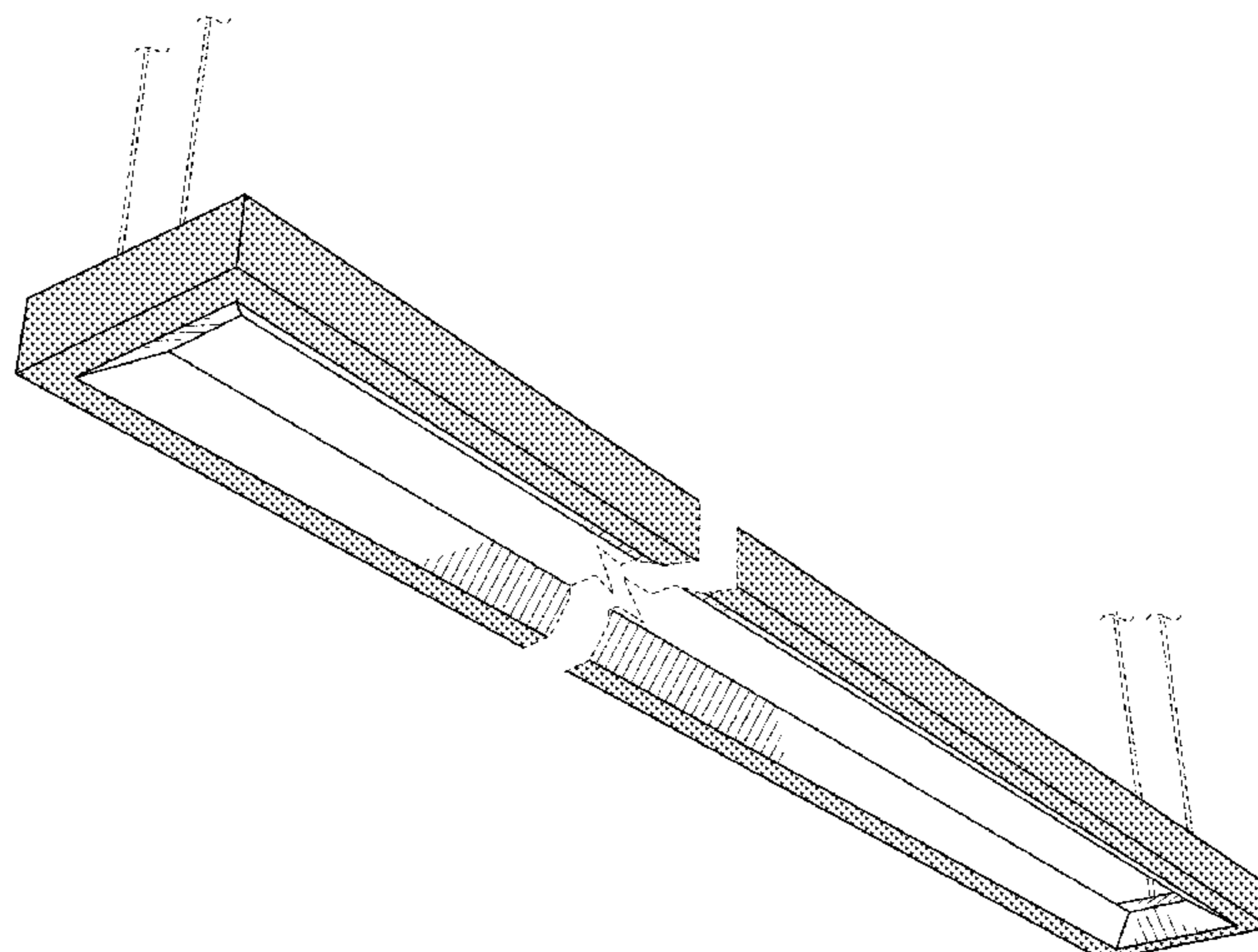
(57) **CLAIM**

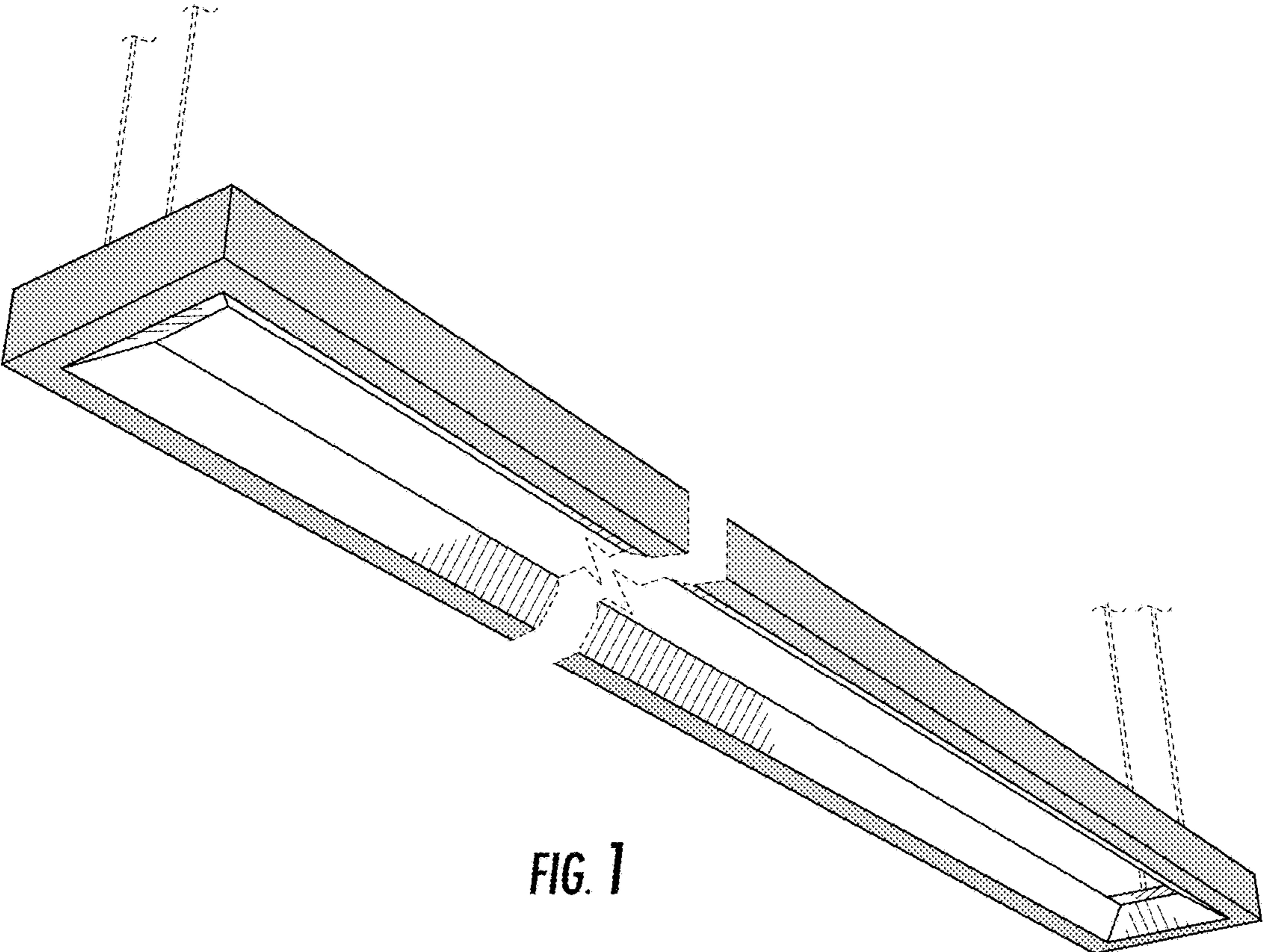
The ornamental design for a light fixture, as shown and described.

DESCRIPTION

FIG. 1 is a first perspective view of a light fixture showing our new design;
FIG. 2 is a second perspective view thereof;
FIG. 3 is a top view thereof;
FIG. 4 is a bottom view thereof;
FIG. 5 is a front view thereof; wherein the rear view is a mirror image of FIG. 5; and,
FIG. 6 is a side view thereof wherein the alternate side view is a mirror image of FIG. 6.
The even-length break lines are imaginary lines and designate that indeterminate length is claimed. The even-length broken lines immediately adjacent to the shaded area represent unclaimed boundaries of the design. The even-length broken lines showing the remainder of the light fixture are for environmental purposes only and form no part of the claimed design.

1 Claim, 6 Drawing Sheets





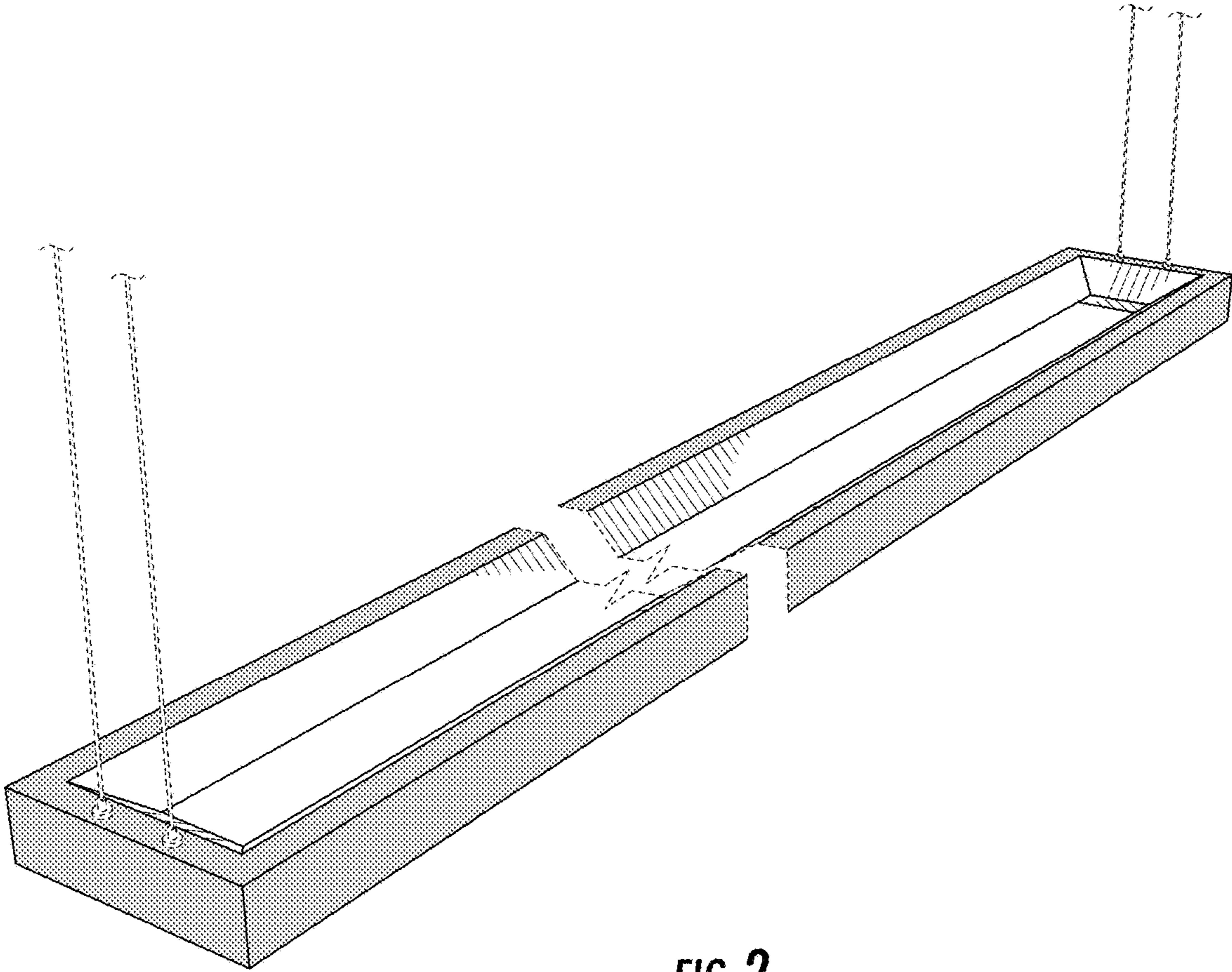


FIG. 2

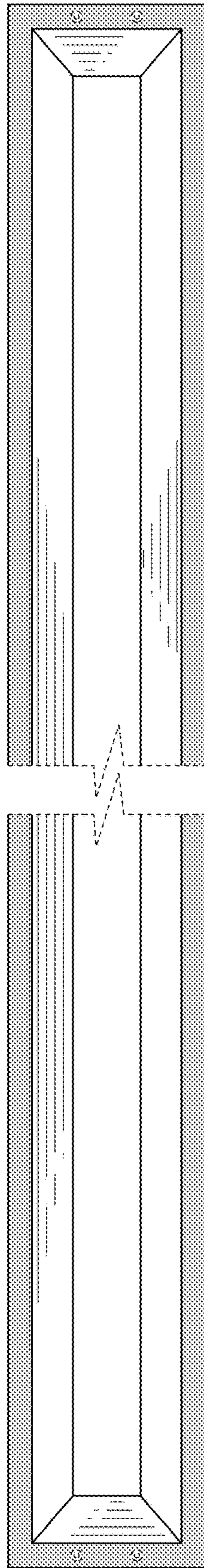


FIG. 3

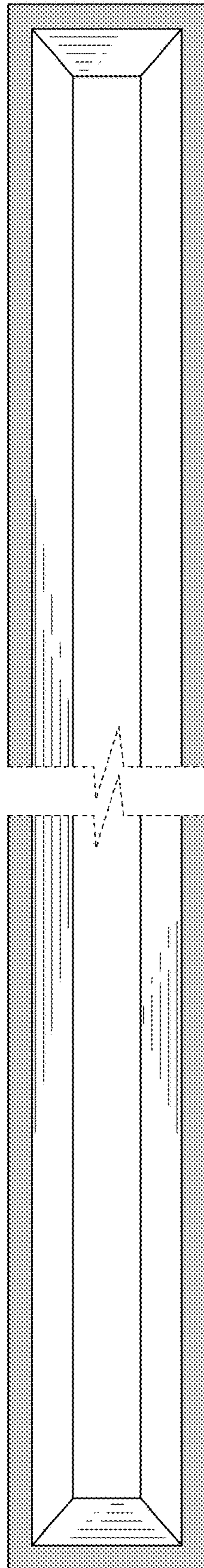


FIG. 4



FIG. 5

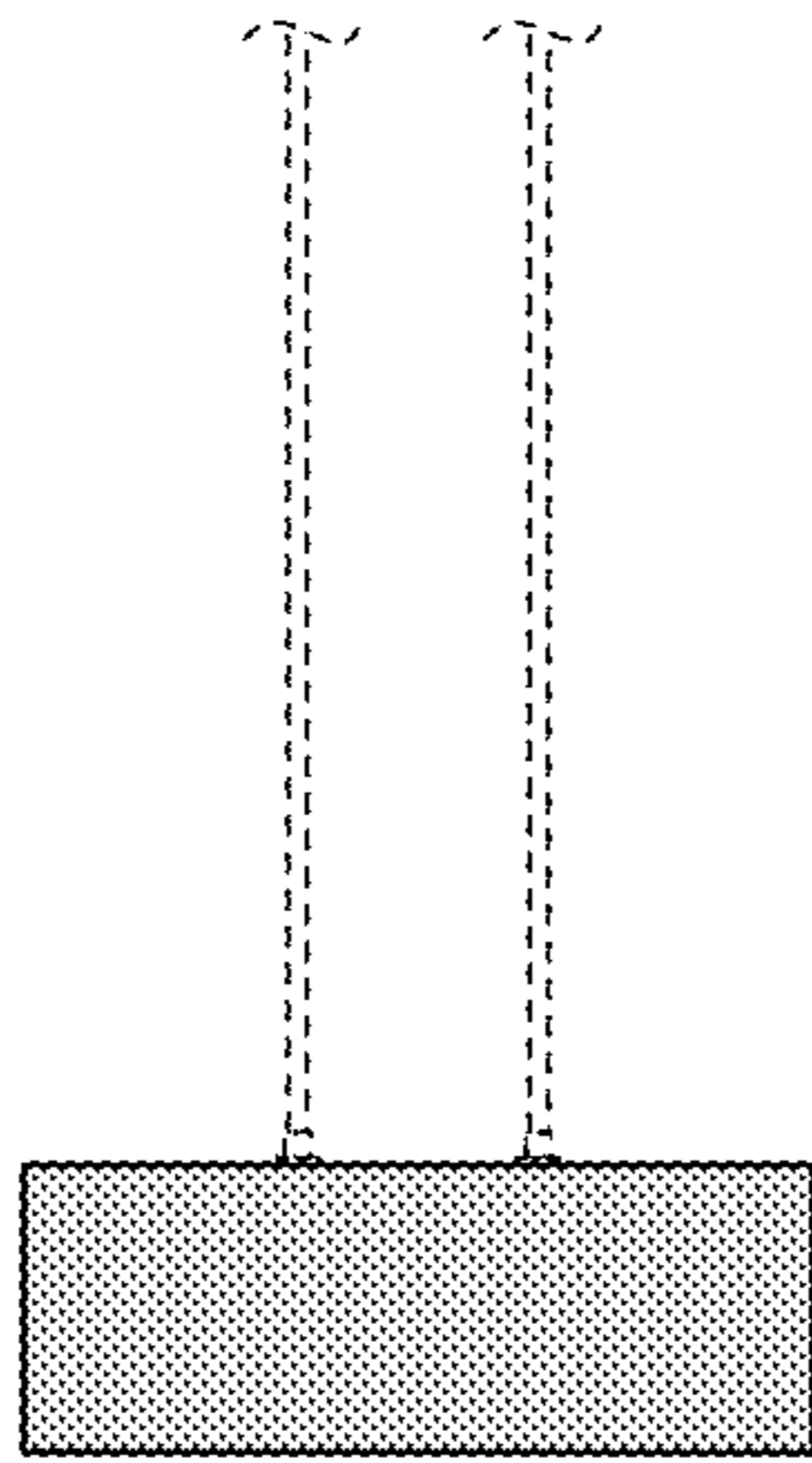


FIG. 6