



US00D780975S

(12) **United States Design Patent** (10) **Patent No.:** **US D780,975 S**
Lockart et al. (45) **Date of Patent:** **** Mar. 7, 2017**

(54) **PIXEL LUMINAIRE**

(56) **References Cited**

(71) Applicant: **KONINKLIJKE PHILIPS N.V.**,
Eindhoven (NL)

(72) Inventors: **Chad Lockart**, Burlington, MA (US);
Jeremy McDaniel, Burlington, MA
(US); **Ray Debruin**, Burlington, MA
(US); **Kevin Jing**, Shenzhen (CN)

(73) Assignee: **KONINKLIJKE PHILIPS N.V.**,
Eindhoven (NL)

(**) Term: **14 Years**

(21) Appl. No.: **29/508,465**

(22) Filed: **Nov. 6, 2014**

(51) **LOC (10) Cl.** **26-03**

(52) **U.S. Cl.**
USPC **D26/76**

(58) **Field of Classification Search**
USPC . D26/71, 72, 75, 76, 78, 79, 80, 81, 82, 83,
D26/85, 86, 88, 90, 113, 118, 119, 120,
D26/121, 122, 138
CPC F21S 2/00; F21S 4/00; F21S 4/003; F21S
4/005; F21S 4/006; F21S 4/007; F21S
4/008; F21S 6/00; F21S 8/00; F21S
8/024; F21S 8/026; F21S 8/031; F21S
8/033; F21S 8/035–8/037; F21S 8/04;
F21S 8/043; F21S 8/063

See application file for complete search history.

U.S. PATENT DOCUMENTS

3,974,418 A *	8/1976	Fridrich	F21V 15/015 315/100
4,204,139 A *	5/1980	Shimer	F21V 19/008 315/58
4,275,331 A *	6/1981	Stresing	H01J 9/34 156/580.1
4,316,121 A *	2/1982	Hammer	H05B 41/04 315/52
D459,516 S *	6/2002	Demers	D26/63
D464,162 S *	10/2002	Segretto	D26/80
D595,444 S *	6/2009	Shimomura	D26/76
D696,812 S *	12/2013	Peng	D26/76

* cited by examiner

Primary Examiner — George D Kirschbaum
Assistant Examiner — Natasha Vujcic

(57) **CLAIM**

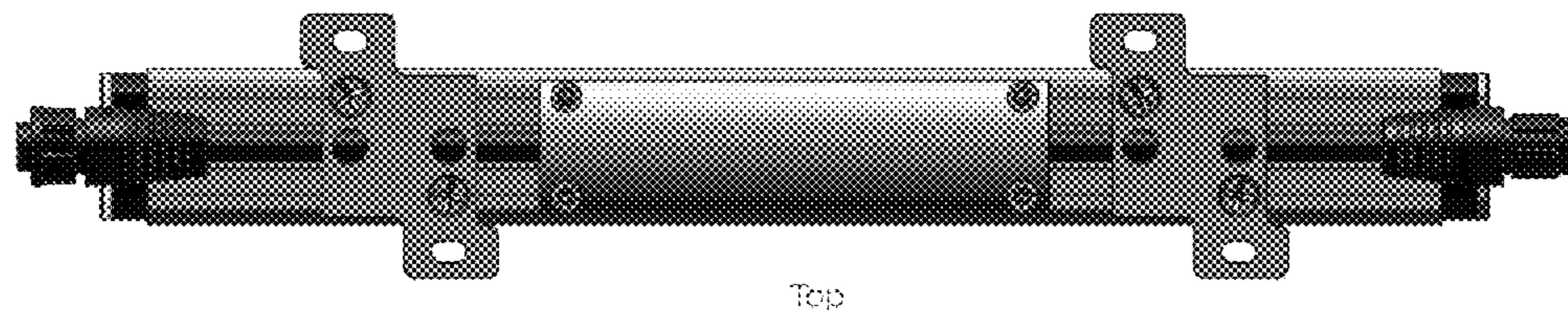
We claim, the ornamental design for a pixel luminaire, as shown and described.

DESCRIPTION

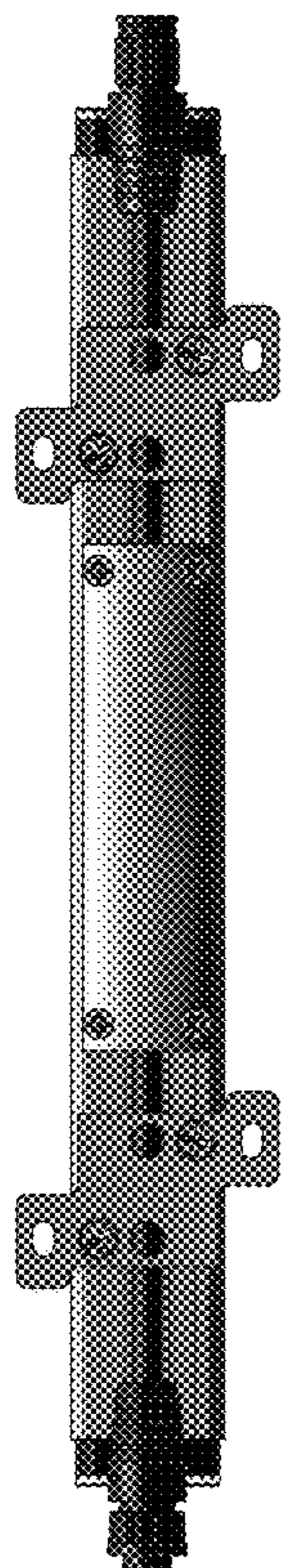
FIG. 1 is a top plan view of a pixel luminaire;
 FIG. 2 is a front elevational view thereof;
 FIG. 3 is a rear elevational view thereof;
 FIG. 4 is a right side elevational view thereof;
 FIG. 5 is a left side elevational view thereof;
 FIG. 6 is a top plan view thereof; and,
 FIG. 7 is a bottom plan view thereof.

1 Claim, 1 Drawing Sheet

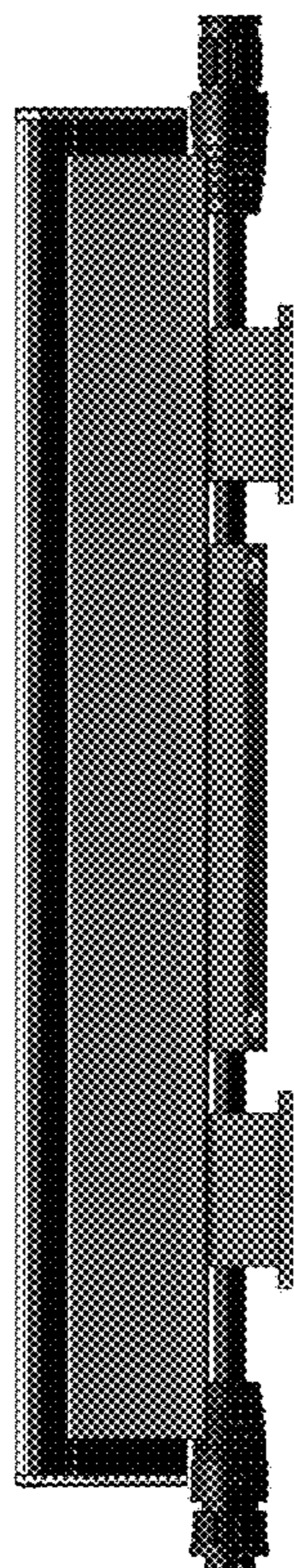
Accent EC Concept



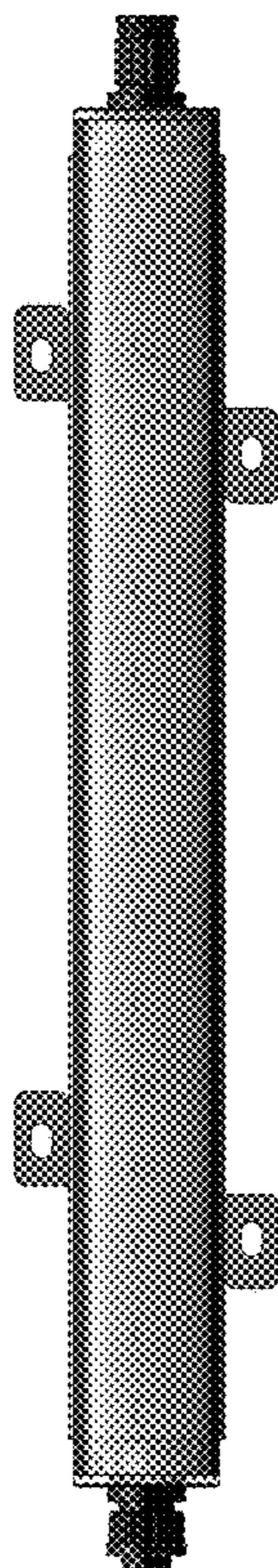
Accent EC Concept



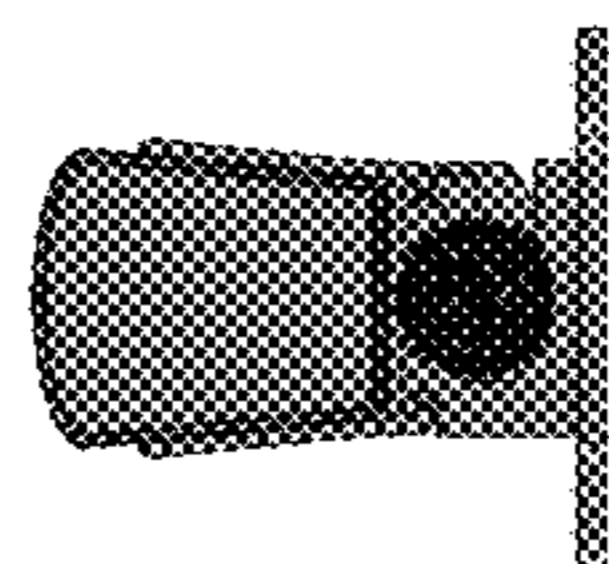
Top
FIG. 1



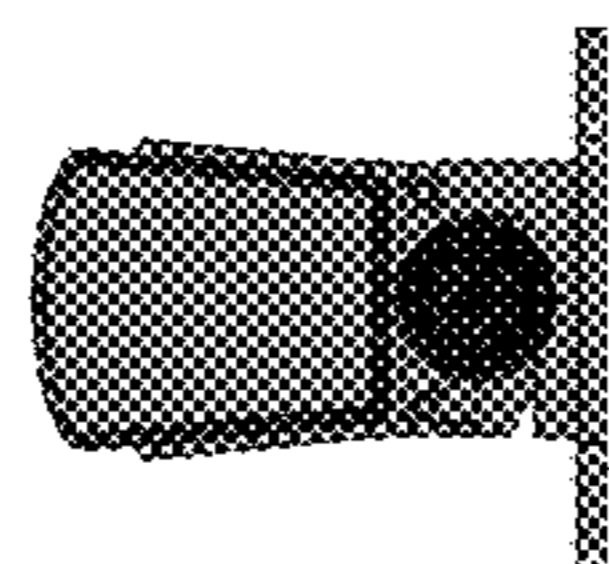
Front
FIG. 2



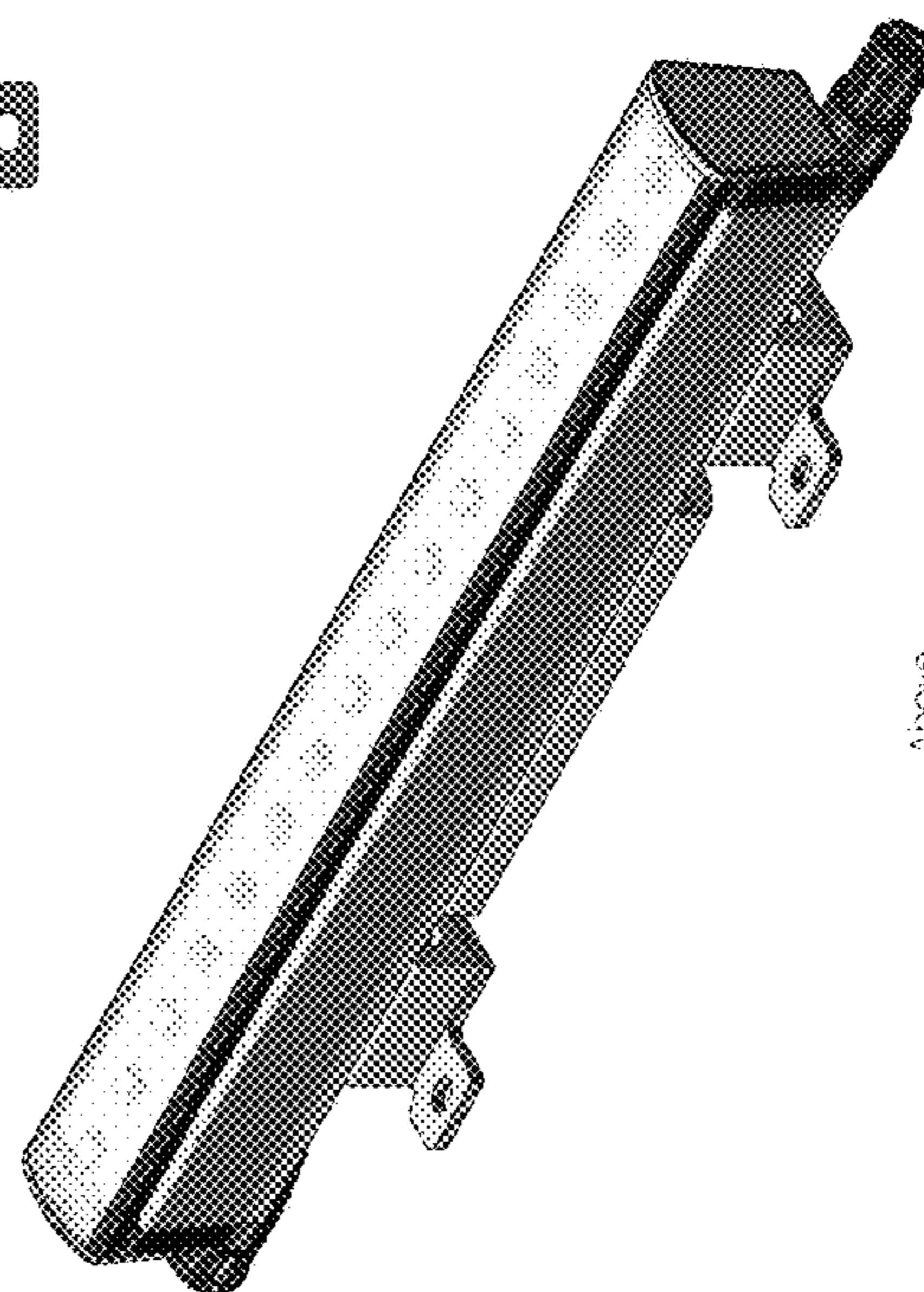
Bottom
FIG. 3



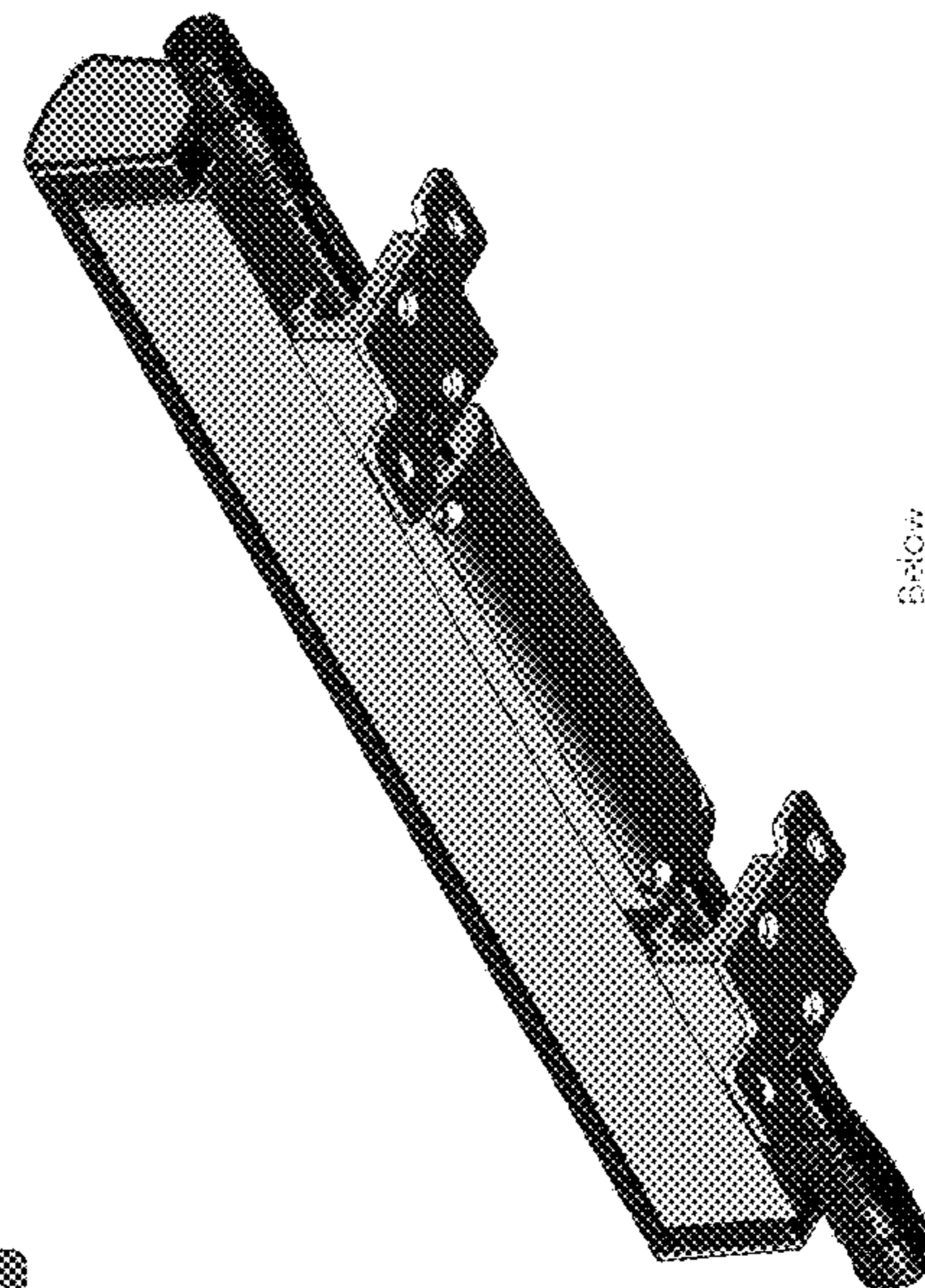
Left
FIG. 4



Right
FIG. 5



Above
FIG. 6



Below
FIG. 7