



US00D780972S

(12) **United States Design Patent** (10) **Patent No.:** **US D780,972 S**  
**Morello et al.** (45) **Date of Patent:** **\*\* Mar. 7, 2017**

(54) **SUSPENDED LIGHT FIXTURE**  
(71) Applicant: **ABL IP Holding LLC**, Conyers, GA (US)  
(72) Inventors: **Jared Timothy Morello**, Columbus, OH (US); **Yinan Wu**, Atlanta, GA (US); **Justin Thomas Moon**, Conyers, GA (US); **Bruce Allen Moore**, Buford, GA (US); **Jamie Jo Pearson**, Covington, GA (US)  
(73) Assignee: **ABL IP Holding LLC**, Decatur, GA (US)  
(\*\*) Term: **14 Years**  
(21) Appl. No.: **29/522,855**  
(22) Filed: **Apr. 2, 2015**  
(51) **LOC (10) Cl.** ..... **26-03**  
(52) **U.S. Cl.**  
USPC ..... **D26/72**  
(58) **Field of Classification Search**  
USPC ..... **D26/72, 81**  
(Continued)

(56) **References Cited**  
**U.S. PATENT DOCUMENTS**  
D688,405 S \* 8/2013 Kim ..... D26/72  
D702,867 S \* 4/2014 Kim ..... D26/72  
D741,533 S \* 10/2015 Yeh ..... D26/72

**FOREIGN PATENT DOCUMENTS**  
EP 2806209 11/2014

**OTHER PUBLICATIONS**  
Unknown, "Simon Full Size," (product description) retrieved from the internet on Jan. 12, 2015, 3 pages.

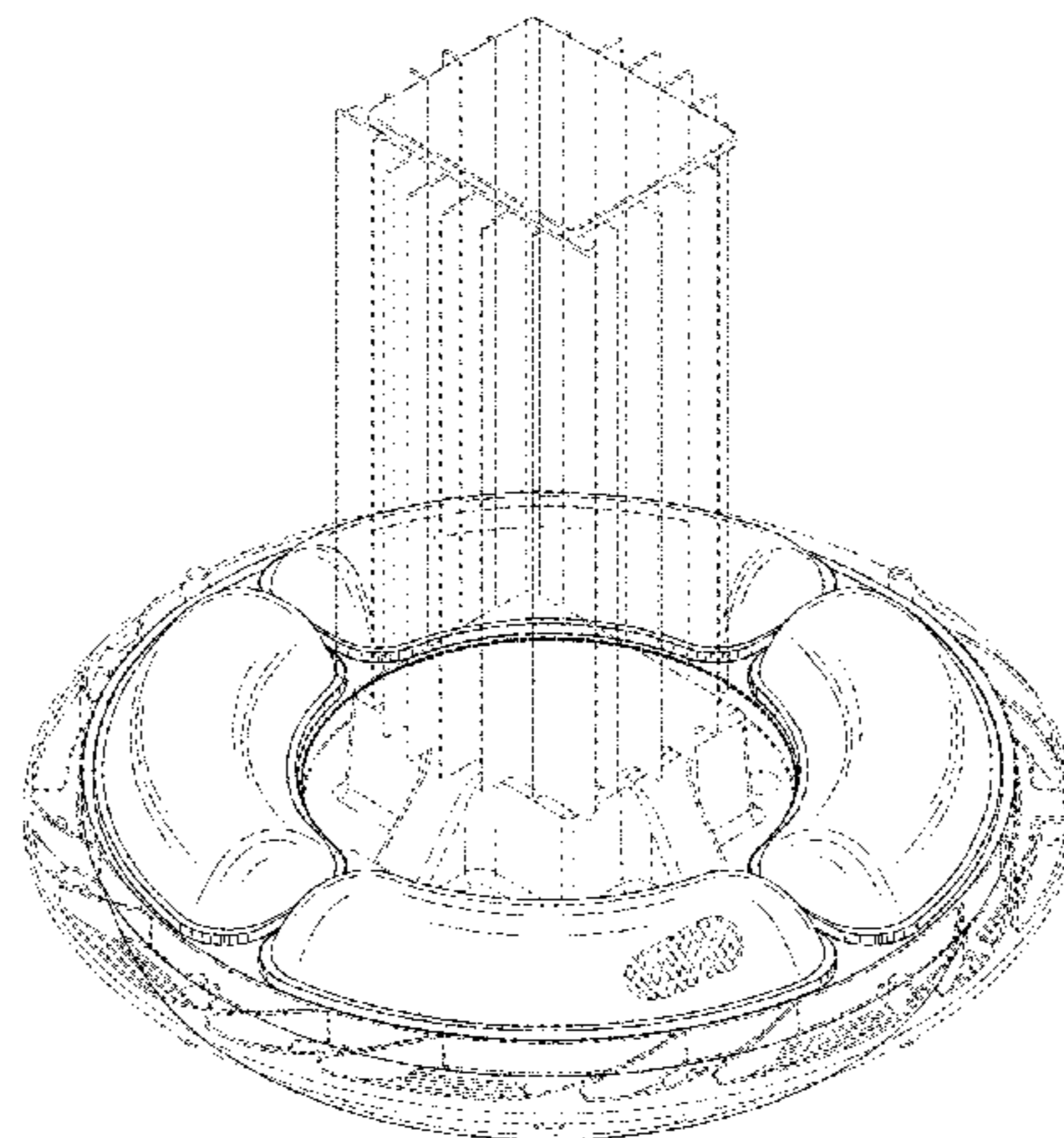
\* cited by examiner

*Primary Examiner* — Brian N Vinson  
(74) *Attorney, Agent, or Firm* — Kilpatrick Townsend & Stockton, LLP

(57) **CLAIM**  
The ornamental design for a suspended light fixture, as shown and described.

**DESCRIPTION**  
FIG. 1 is an isometric view of the suspended light fixture; FIG. 2 is a bottom plan view of the suspended light fixture; FIG. 3 is a top plan view of the suspended light fixture; FIG. 4 is a front side elevation of the suspended light fixture, a back side elevation, a left side elevation and a right side elevation being mirror images thereof; FIG. 5 is an isometric view of the suspended light fixture and additional structure that forms no part of the claimed design; FIG. 6 is a bottom plan view of the suspended light fixture and additional structure that forms no part of the claimed design; FIG. 7 is a top plan view of the suspended light fixture and additional structure that forms no part of the claimed design; FIG. 8 is a front side elevation of the suspended light fixture, and additional structure that forms no part of the claimed design, a back side elevation being a mirror image thereof; and, FIG. 9 is a left side elevation of the suspended light fixture, and additional structure that forms no part of the claimed design, a right side elevation being a mirror image thereof. Portions or features of the light fixture not shown in the drawings form no part of the claimed design. In FIGS. 1, 3, 4, 5 and 7, heavy broken lines indicate a boundary between the claimed design and unclaimed regions. In FIGS. 5-9, light broken lines indicate portions of the suspended light fixture that form no part of the claimed design. The patches of broken cross-hatching shown in FIGS. 1-9 are representative of possible visible texturing and are shown in broken lines so as to form no part of the claimed design.

**1 Claim, 9 Drawing Sheets**



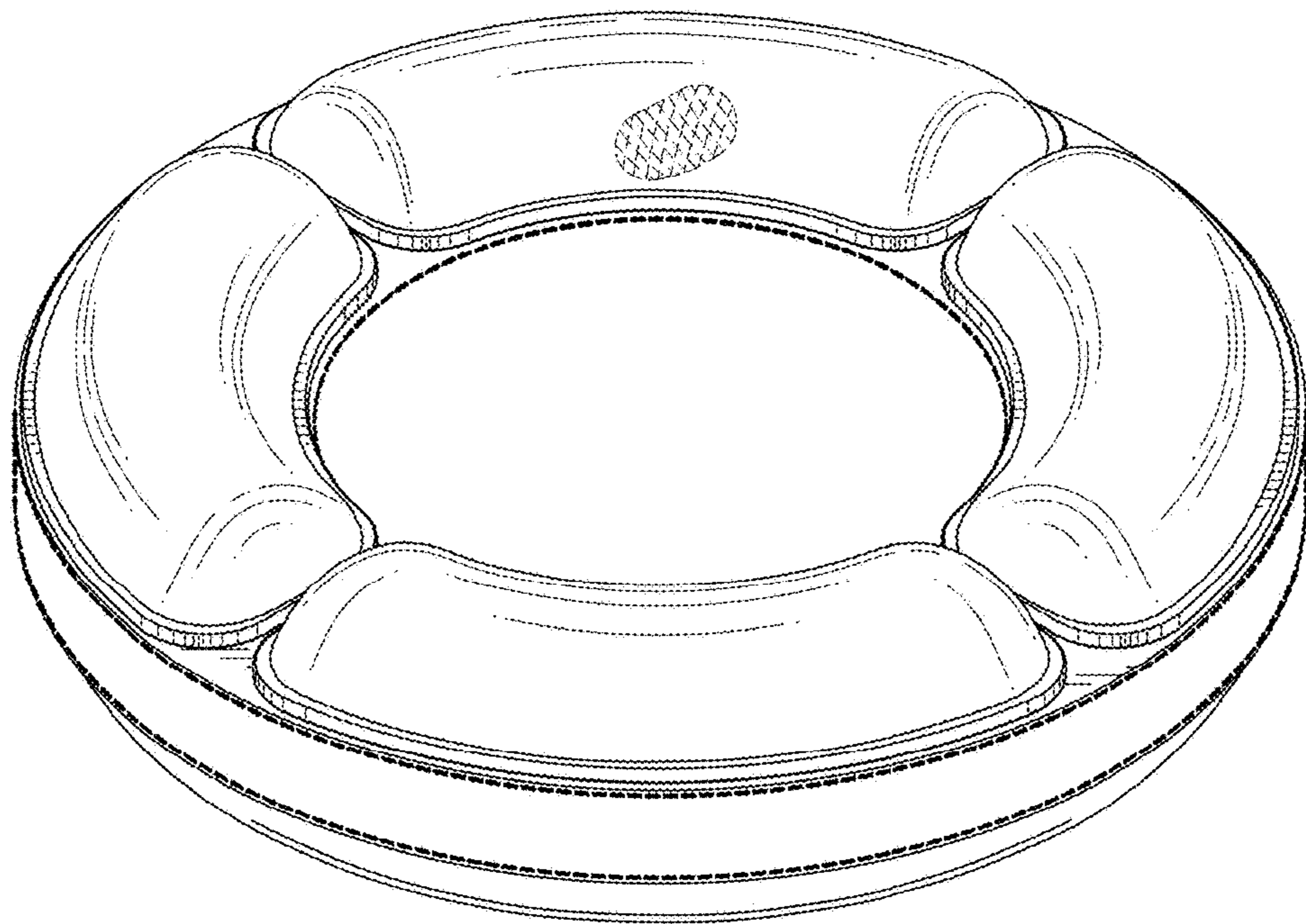


FIG. 1

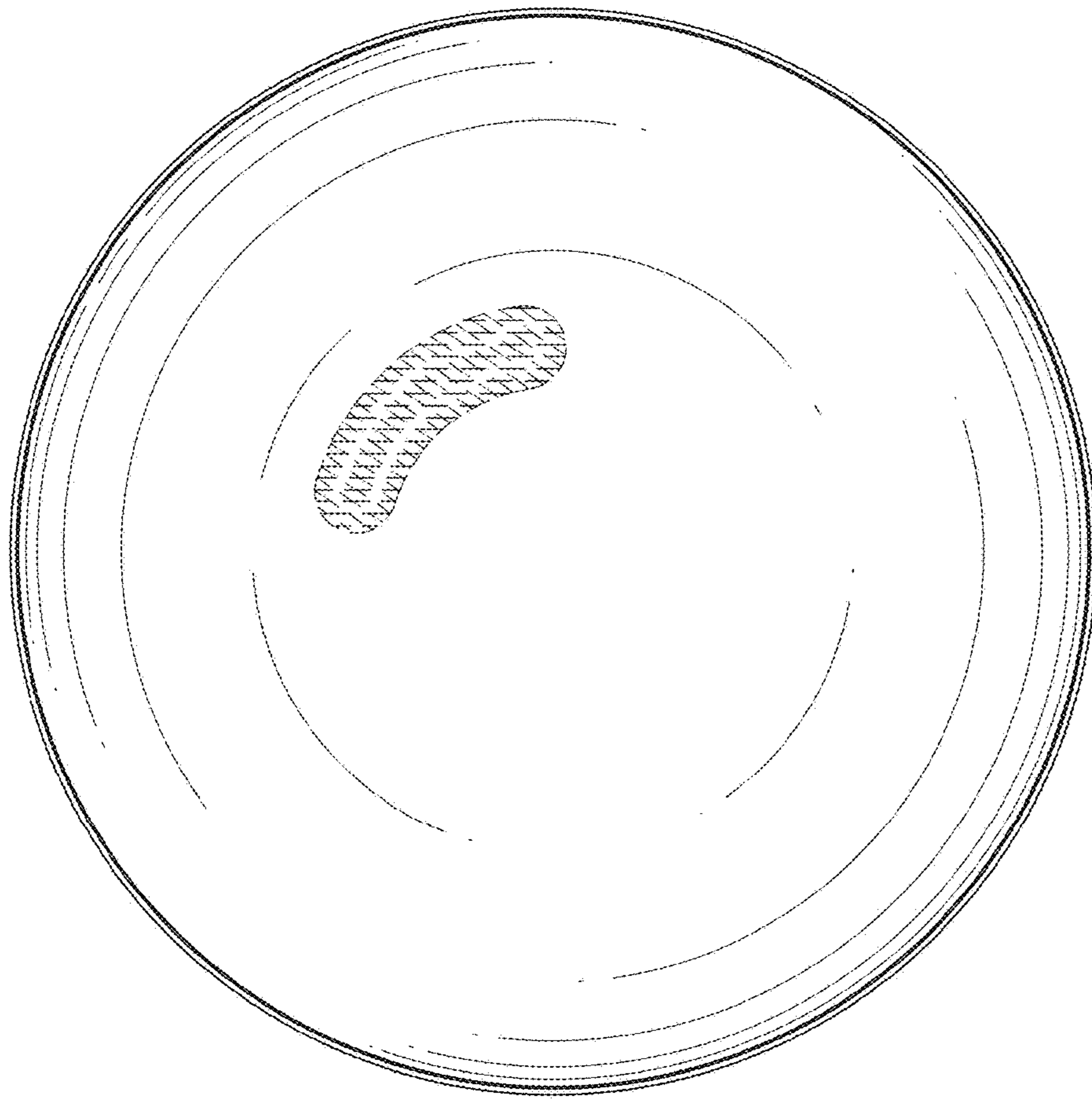


FIG. 2

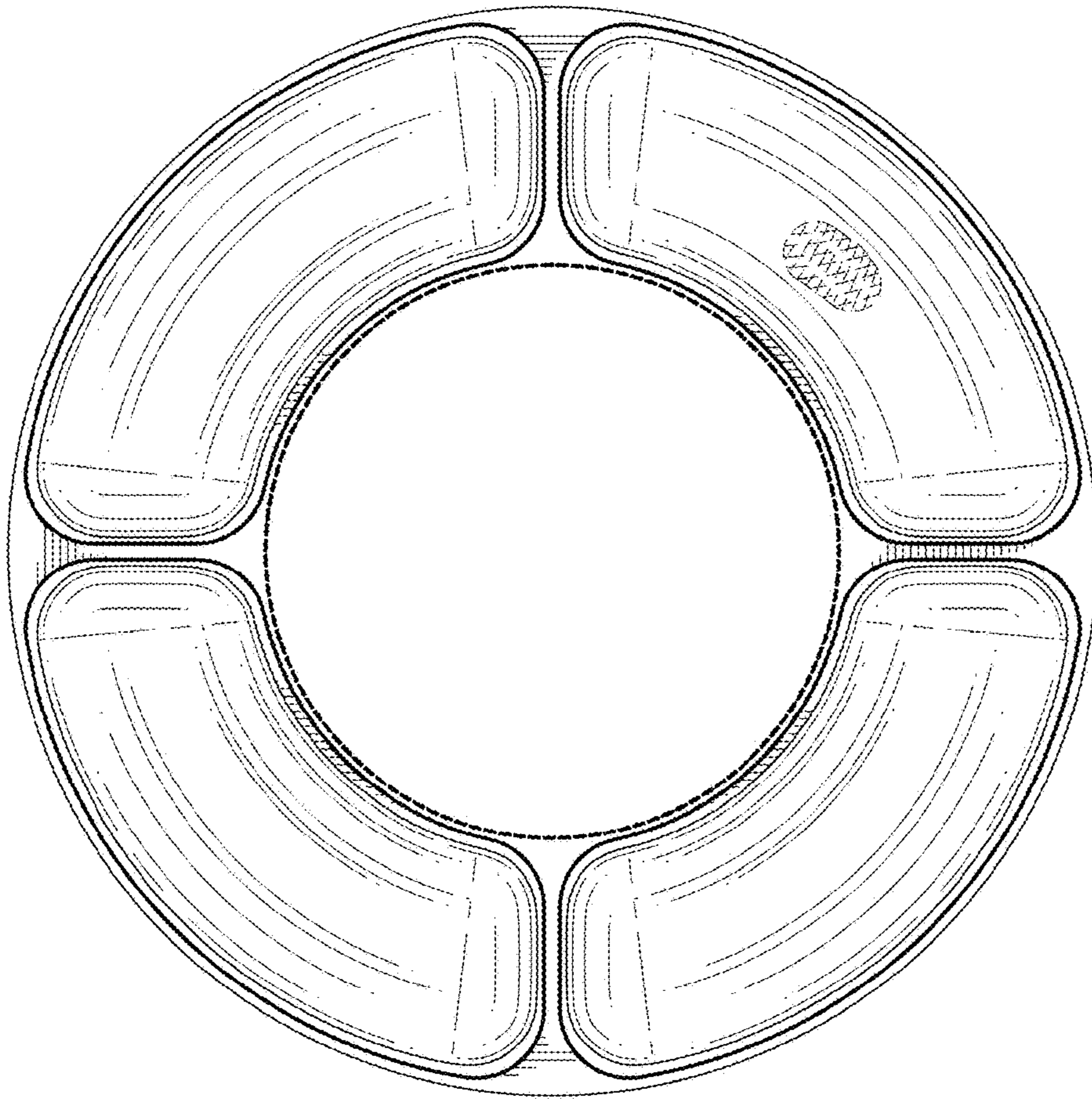


FIG. 3

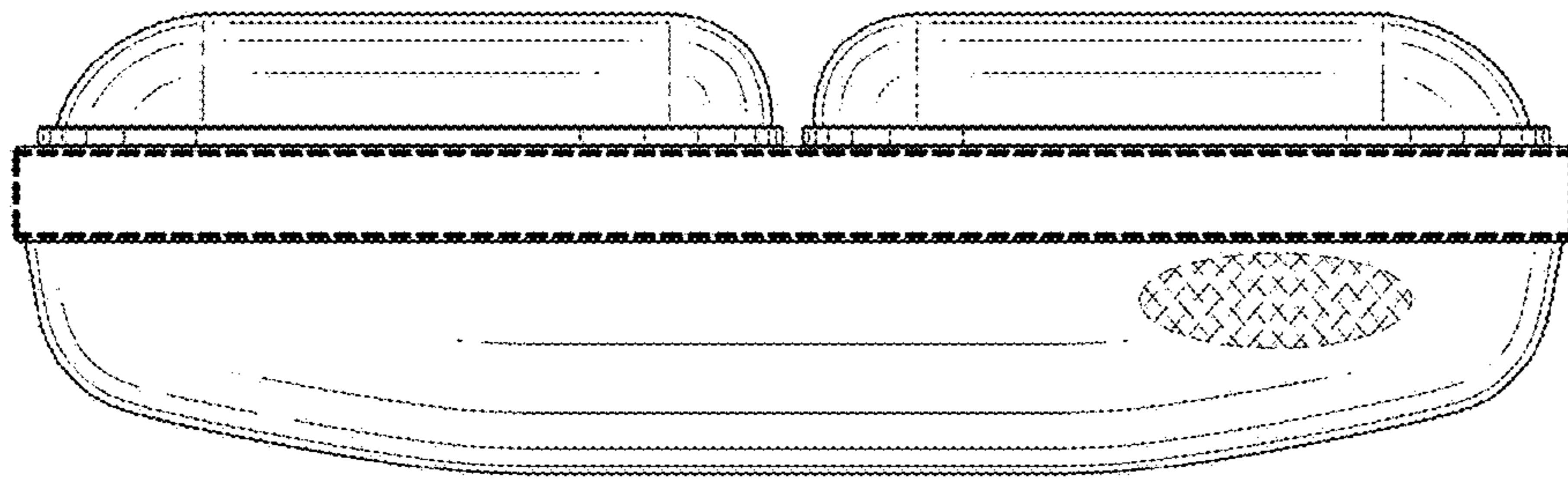


FIG.4

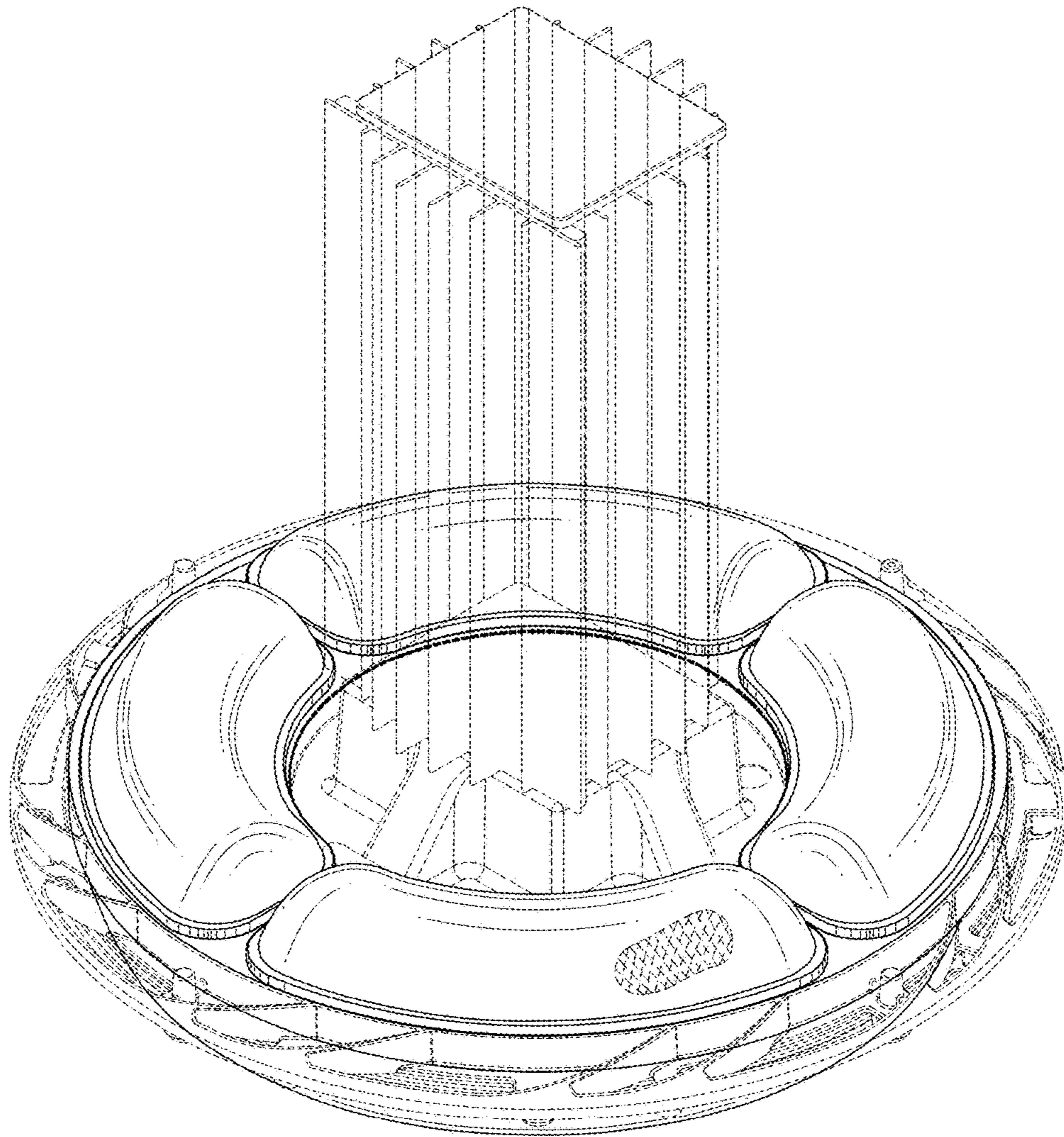


FIG. 5

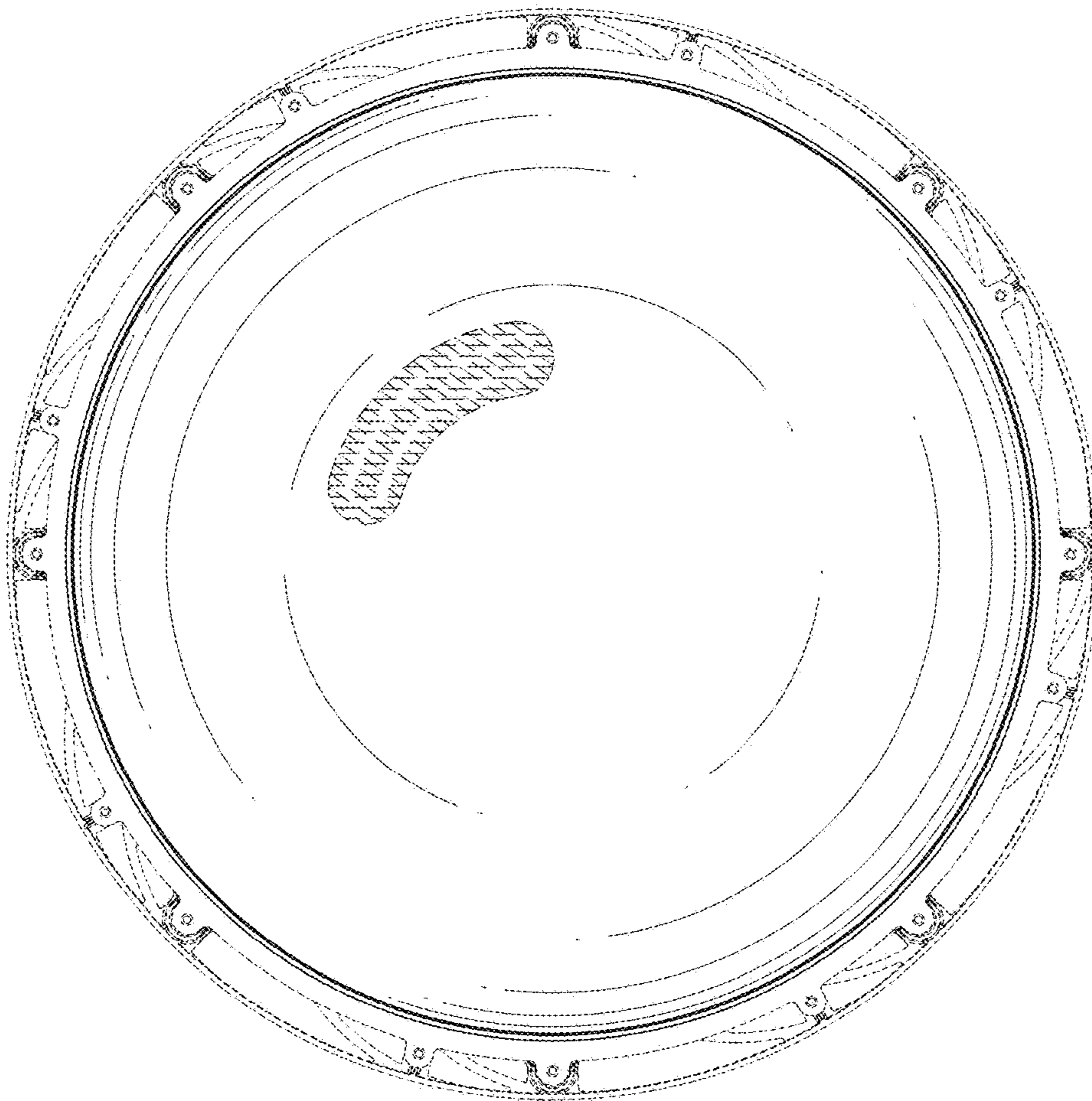


FIG. 6

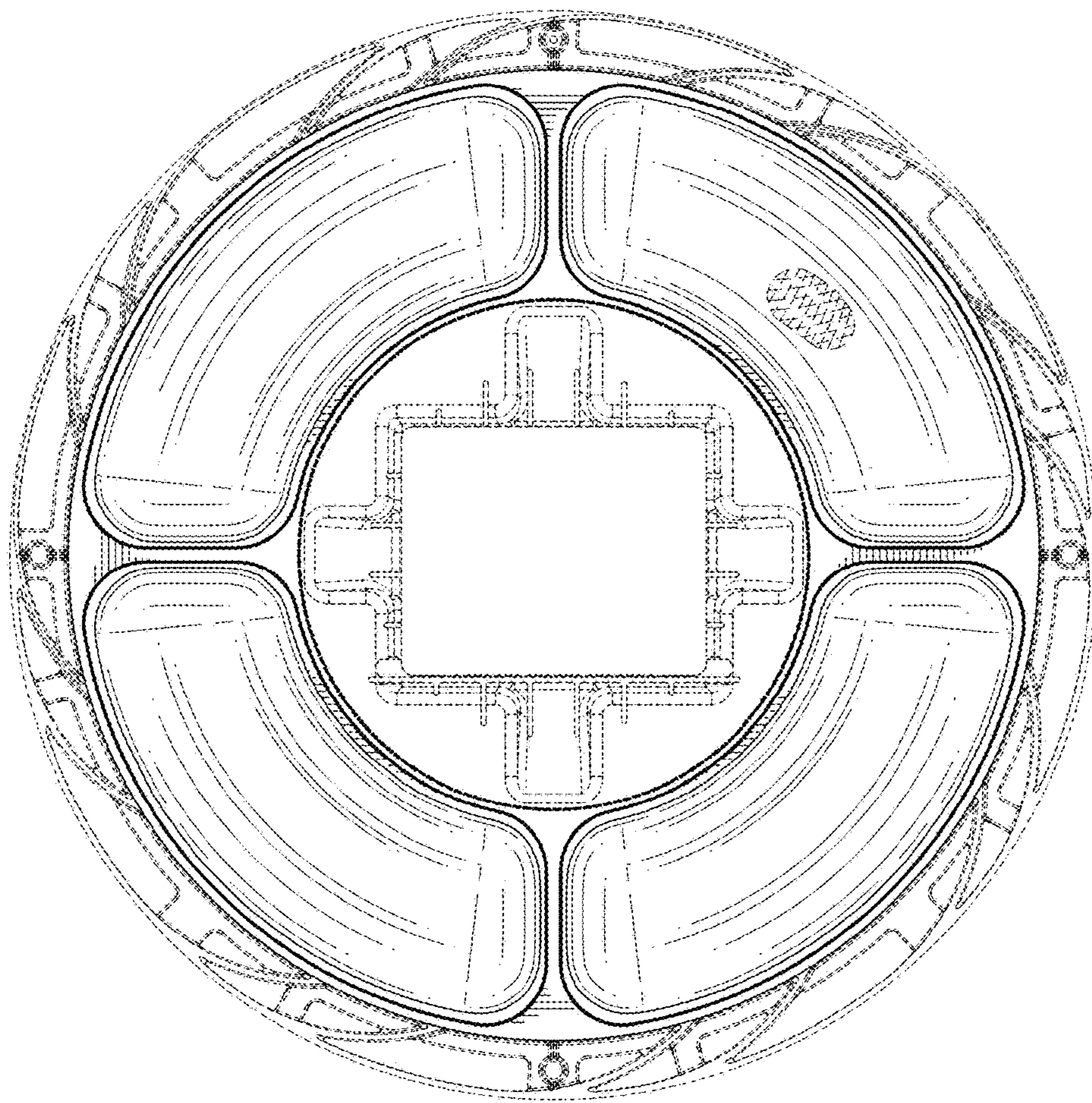


FIG. 7



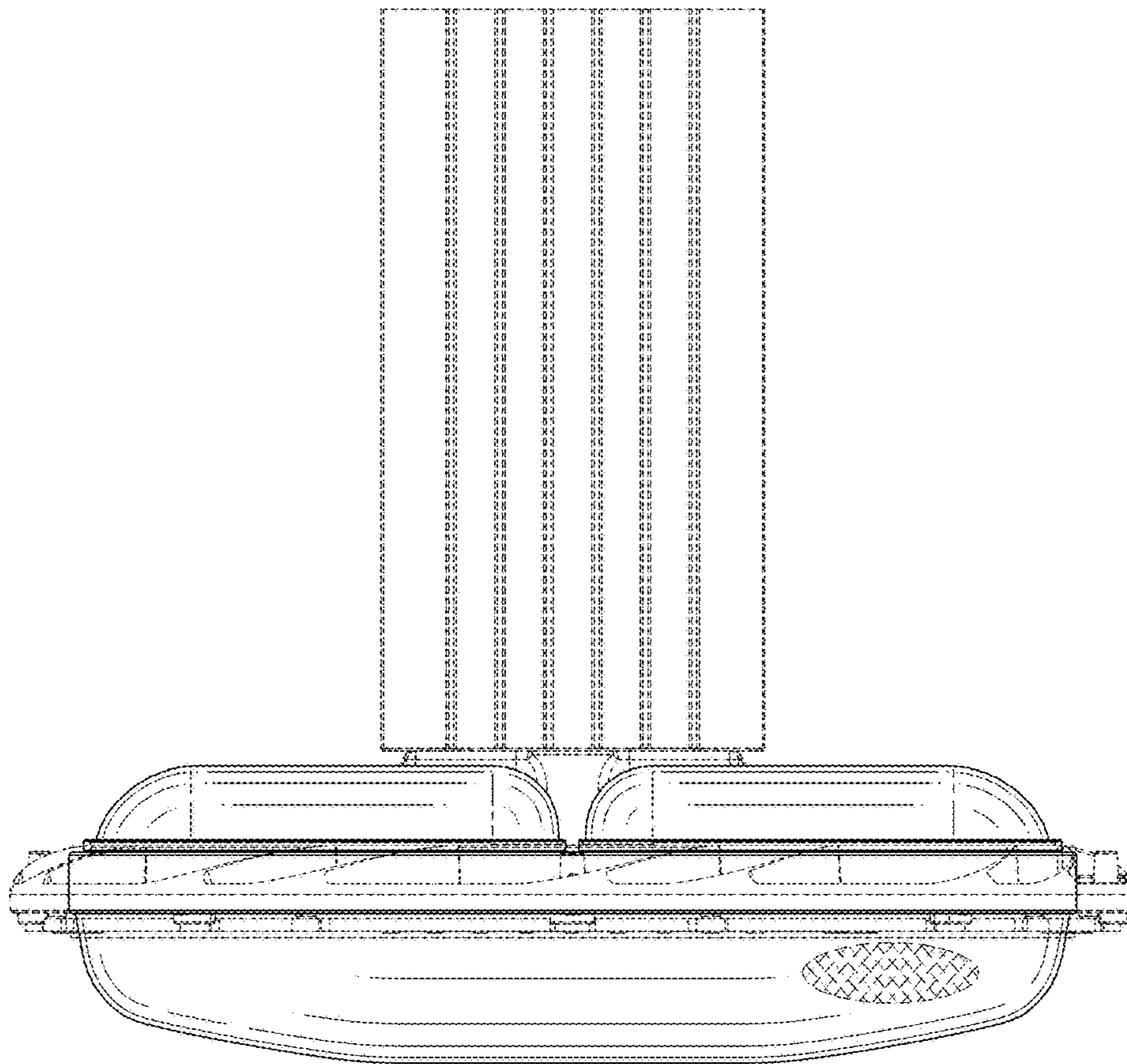


FIG. 8

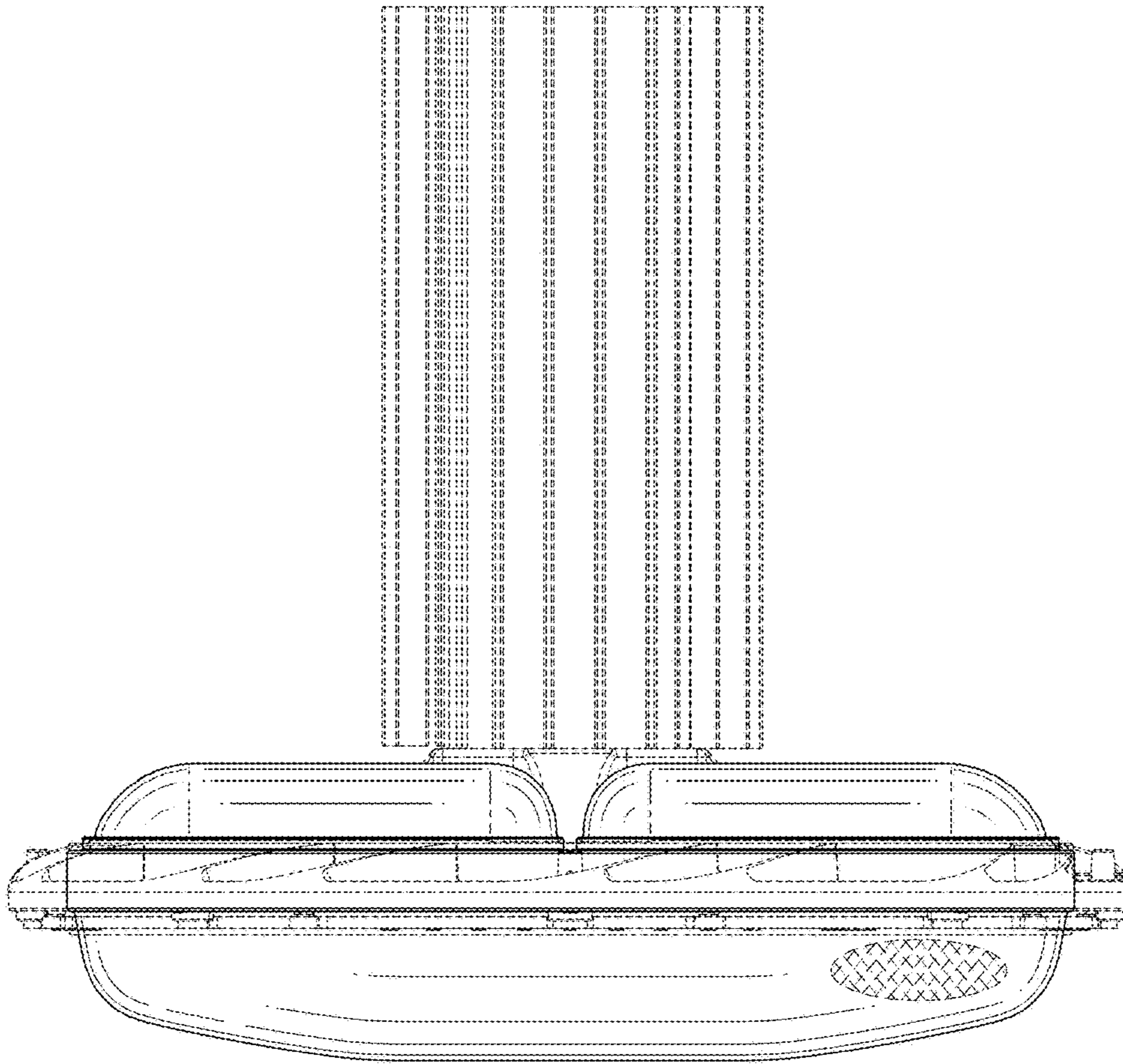


FIG.9